

BODY SECTION

This service manual has been prepared to provide SUBARU service personnel with the necessary information and data for the correct maintenance and repair of SUBARU vehicles.

This manual includes the procedures for maintenance, disassembling, reassembling, inspection and adjustment of components and diagnostics for guidance of experienced mechanics.

Please peruse and utilize this manual fully to ensure complete repair work for satisfying our customers by keeping their vehicle in optimum condition. When replacement of parts during repair work is needed, be sure to use SUBARU genuine parts.

All information, illustration and specifications contained in this manual are based on the latest product information available at the time of publication approval.

**HVAC SYSTEM
(HEATER, VENTILATOR AND A/C)** AC

**HVAC SYSTEM (AUTO A/C)
(DIAGNOSTICS)** AC

AIRBAG SYSTEM AB

AIRBAG SYSTEM (DIAGNOSTICS) AB

SEAT BELT SYSTEM SB

LIGHTING SYSTEM LI

WIPER AND WASHER SYSTEMS WW

ENTERTAINMENT ET

COMMUNICATION SYSTEM COM

GLASS/WINDOWS/MIRRORS GW

BODY STRUCTURE BS

INSTRUMENTATION/DRIVER INFO IDI

SEATS SE

SECURITY AND LOCKS SL

IMMOBILIZER (DIAGNOSTICS) IM

**SUNROOF/T-TOP/CONVERTIBLE TOP
(SUNROOF)** SR

EXTERIOR/INTERIOR TRIM EI

BODY SECTION

EXTERIOR BODY PANELS

EB

CRUISE CONTROL SYSTEM

CC

**CRUISE CONTROL SYSTEM
(DIAGNOSTICS)**

CC

AIRBAG SYSTEM

AB

	Page
1. General Description	2
2. Airbag Connector	8
3. Inspection Locations After a Collision	10
4. Driver's Airbag Module	12
5. Passenger's Airbag Module	14
6. Side Airbag Module	15
7. Airbag Control Module	16
8. Side Airbag Sensor	17
9. Roll Connector	18
10. Front Sub Sensor	19
11. Disposal of Airbag Module (Deploying While Installed in Vehicle)	20
12. Disposal of Airbag Module (Deploying After Removal from Vehicle)	24

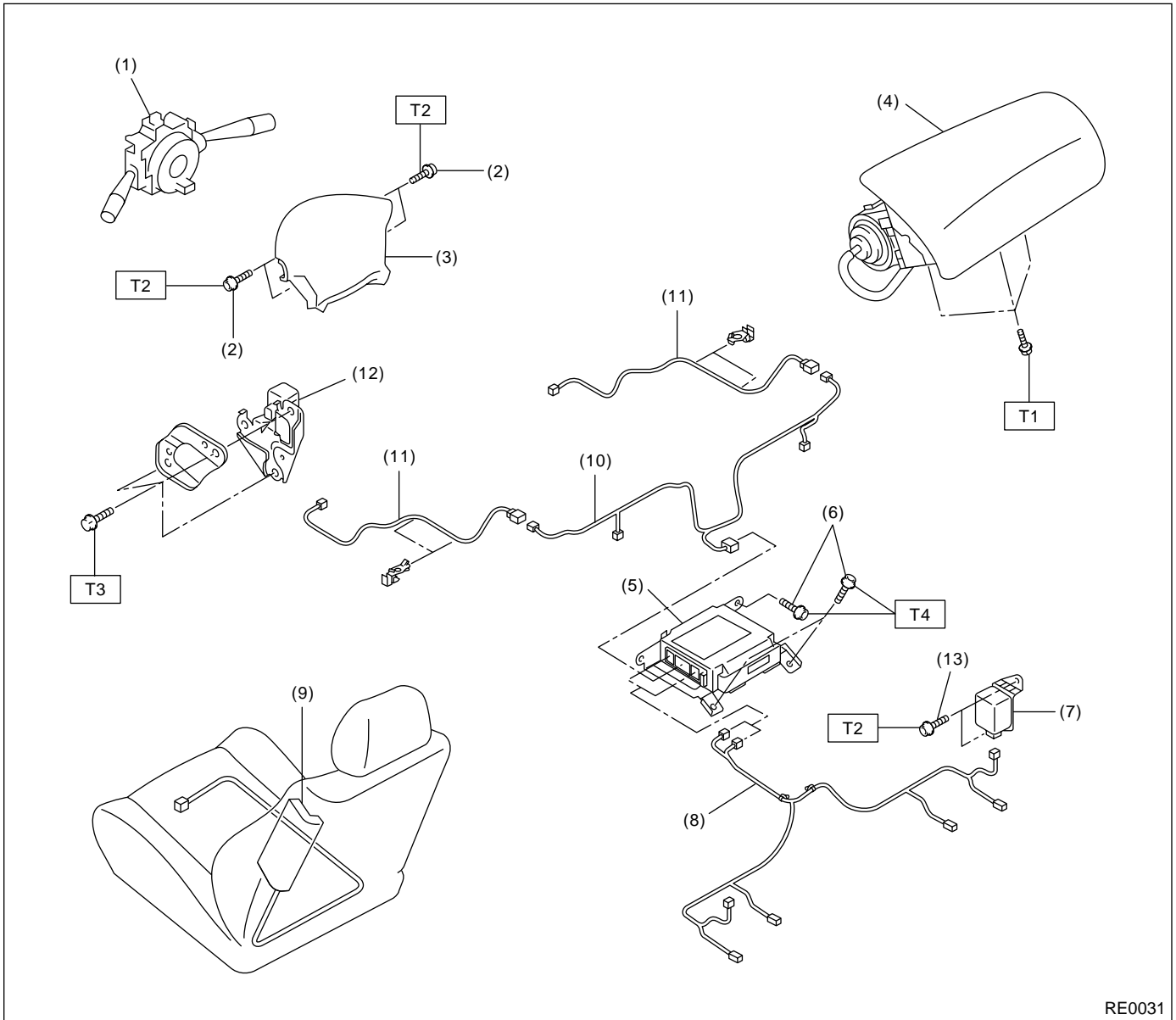
GENERAL DESCRIPTION

AIRBAG SYSTEM

1. General Description

A: COMPONENT

1. SRS AIRBAG



- | | |
|---|-------------------------------|
| (1) Combination switch ASSY with roll connector | (7) Side airbag sensor |
| (2) TORX® bolt T30 | (8) Side airbag harness |
| (3) Airbag module ASSY (Driver) | (9) Side airbag module |
| (4) Airbag module ASSY (Passenger) | (10) Airbag main harness |
| (5) Airbag control module | (11) Front sub sensor harness |
| (6) TORX® bolt T40 | (12) Front sub sensor |
| | (13) TORX® bolt T30 |

Tightening torque: N-m (kg-m, ft-lb)

T1: 7.4 (0.75, 5.4)

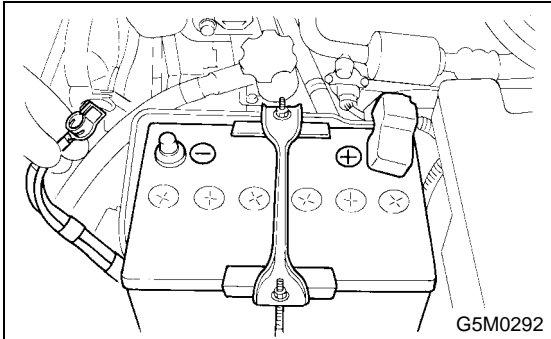
T2: 10 (1.0, 7.2)

T3: 20 (2.0, 14.5)

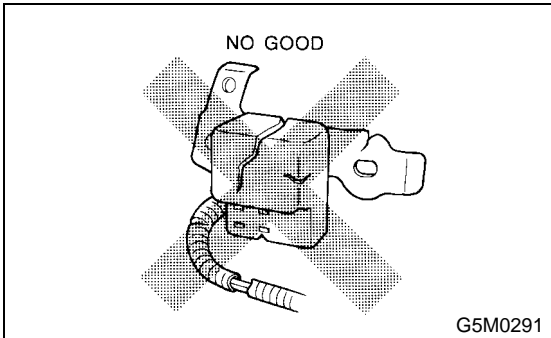
T4: 25 (2.5, 18.1)

B: CAUTION

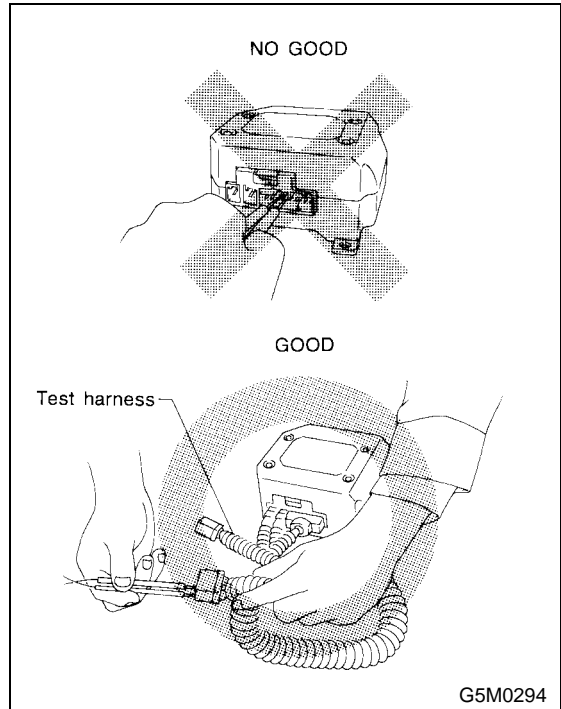
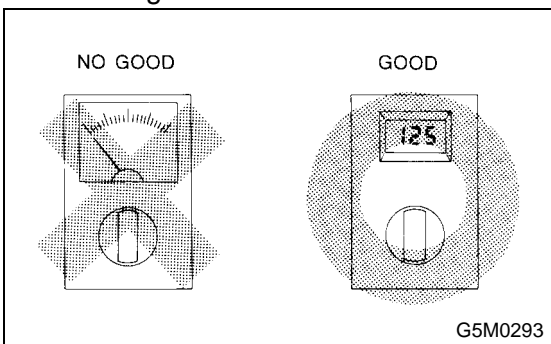
- When servicing a vehicle, be sure to turn the ignition switch OFF, disconnect the ground cable from the battery, and wait for more than 20 seconds before starting work.
- The airbag system is fitted with a backup power source. If the airbag system is serviced within 20 seconds after the ground cable is disconnected, it may inflate.



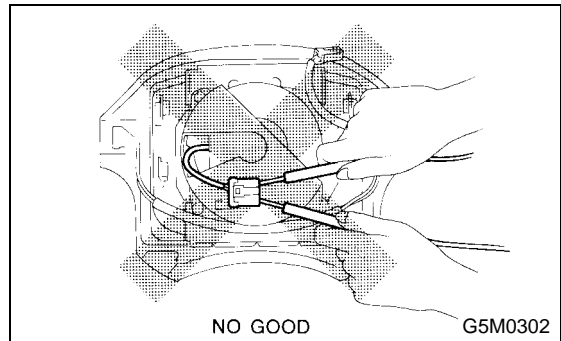
- If sensors, airbag module, airbag control module, pretensioner, and harness are deformed or damaged, replace them with new genuine parts.



- When checking the system, be sure to use a digital circuit tester. Use of an analog circuit tester may cause the airbag to activate erroneously.
- When checking, use a test harness. Do not directly apply the tester probe to any connector terminal of the airbag.



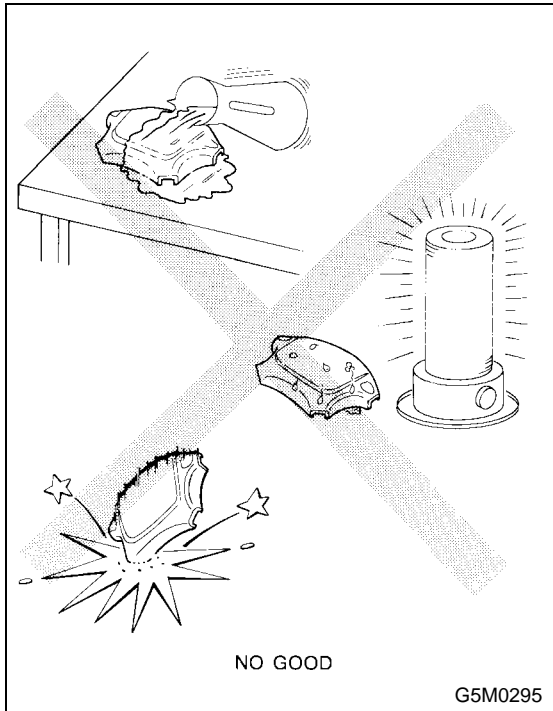
- Do not check continuity of either of the airbag modules for driver, passenger or side, or pretensioner.



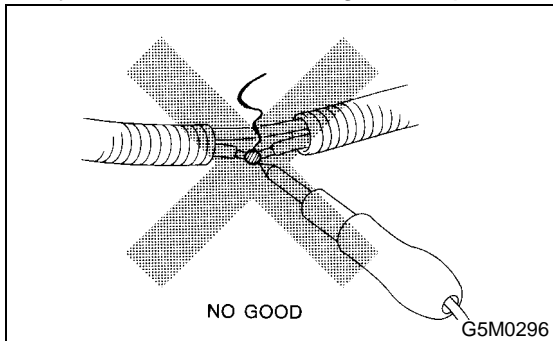
GENERAL DESCRIPTION

AIRBAG SYSTEM

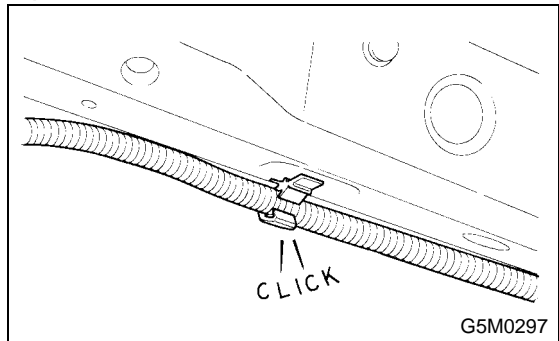
- Do not drop the airbag modulator parts, subject them to high temperature over 93°C (199°F), or let water, oil, or grease get on them; otherwise, the internal parts may be damaged and reliability greatly lowered.



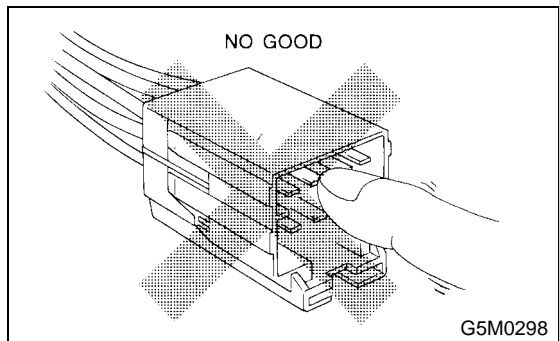
- If any damage, opening, or rust is found on the airbag system wire harness, do not attempt to repair using soldering equipment. Be sure to replace the faulty harness with a new genuine part.



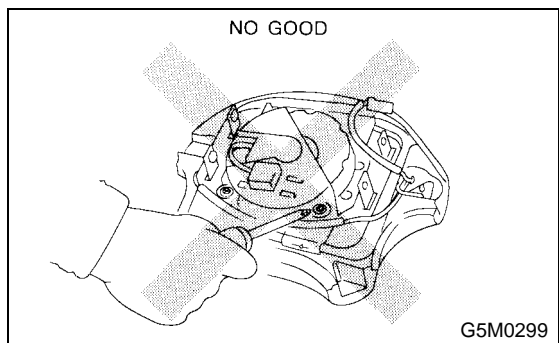
- Install the wire harness securely with the specified clips to avoid interference or tangled up with other parts.



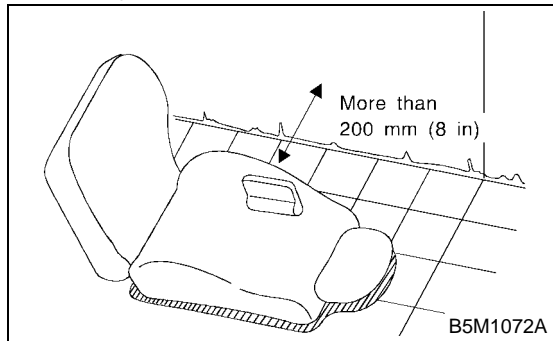
- Do not allow water or oil to come in contact with the connector terminals. Do not touch the connector terminals.



- Either of the airbag modules for driver, passenger or side, or pretensioner must not be disassembled.

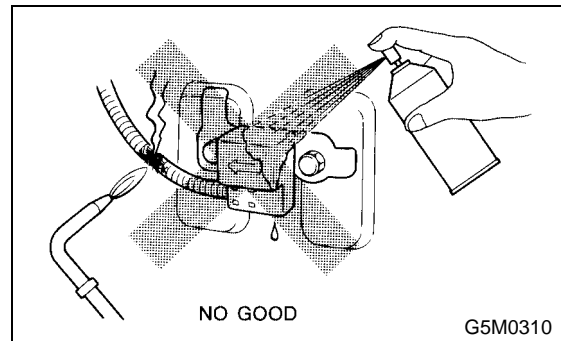


- The removed front seat with the airbag module must be kept at least 200 mm (8 in) away from walls and other objects.



- Do not use the airbag or pretensioner parts from other vehicles. Always replace defective parts with new parts.
- Never re-use a deployed airbag or pretensioner.
- When painting or performing sheet metal work on the front part of the vehicle, including the front wheel apron, front fender, and front side frame, remove the front sub sensors and wire harness of the airbag system.

- When painting or performing sheet metal work on the side of the vehicle, including the side sill, center pillar, and front and rear doors, remove the side airbag sensors and wire harness of the airbag system.



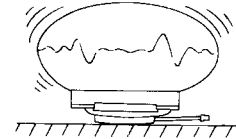
- When storing a removed airbag module, do not place any objects on it or pile airbag modules on top of each other. If the airbag inflates for some reason when it is placed with its pad side facing downward or under any object, a serious accident may result.

GENERAL DESCRIPTION

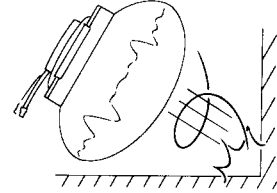
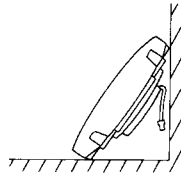
AIRBAG SYSTEM

Driver side

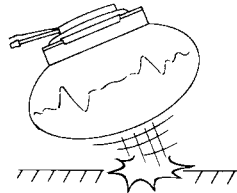
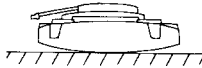
GOOD



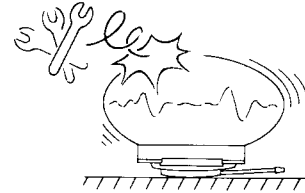
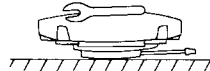
NO GOOD



NO GOOD

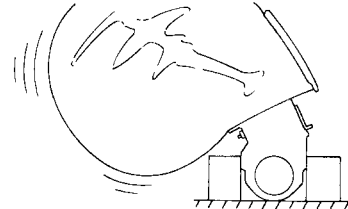
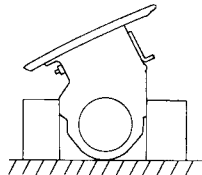


NO GOOD

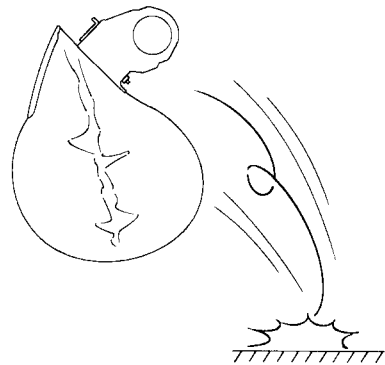
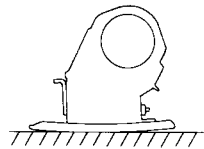


Passenger side

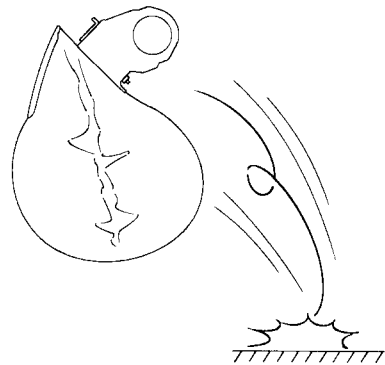
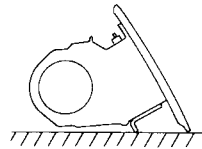
GOOD



NO GOOD



NO GOOD



G5M0604

C: PREPARATION TOOL

1. GENERAL TOOL

TOOL NAME	REMARKS
TORX® T30	Used for removal/installation of drivers airbag module
TORX® T40 (Tamper resistant type)	Used for removal/installation of airbag control module
TORX® T30 (Tamper resistant type)	Used for removal of side airbag sensor.

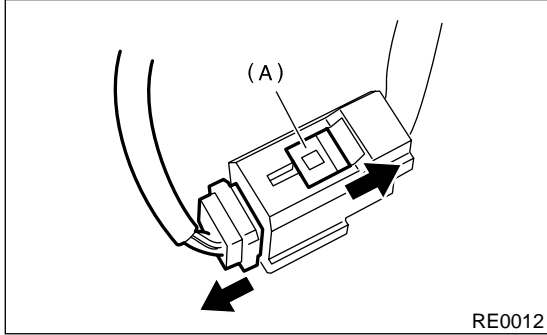
2. Airbag Connector

A: OPERATION

1. POWER SUPPLY

• **How to disconnect:**

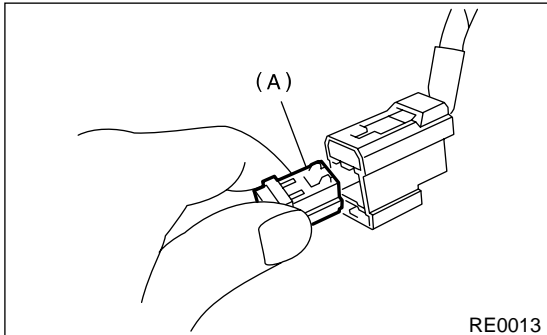
- 1) Move slide lock (A) in the direction of the arrow.
- 2) Pull female connector in the direction of the arrow with slide lock (A) moved.



CAUTION:
When pulling, be sure to hold onto the connector and not the wire.

• **How to connect:**

Holding connector (A), and push it in carefully until a connecting sound is heard.



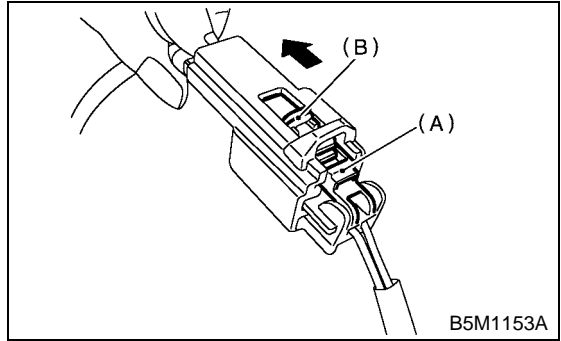
CAUTION:
Be sure to insert the connector in until it locks. Then pull on it gently to make sure that it is locked.

2. DRIVER'S AIRBAG, PASSENGER'S AIRBAG, SIDE AIRBAG

• **How to disconnect:**

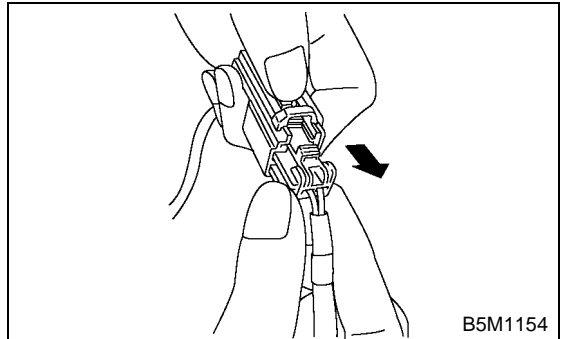
- 1) Push lock arm (A).

- 2) With lock arm (A) pushed in, move slide lock (B) in the direction of the arrow.



- 3) With slide lock (B) pulled, remove lock arm (A) to its original position, and then pull in the direction of the arrow and separate the connector.

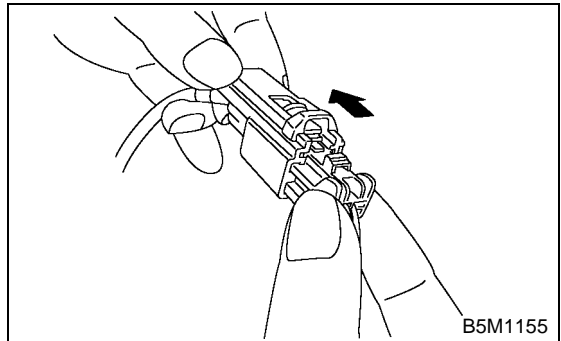
CAUTION:
When pulling, be sure to hold onto the connector and not the wire.



• **How to connect:**

Holding the connector, and push it in carefully until a connecting sound is heard.

CAUTION:
Be sure to insert the connector in until it locks. Then pull on it gently to make sure that it is locked.

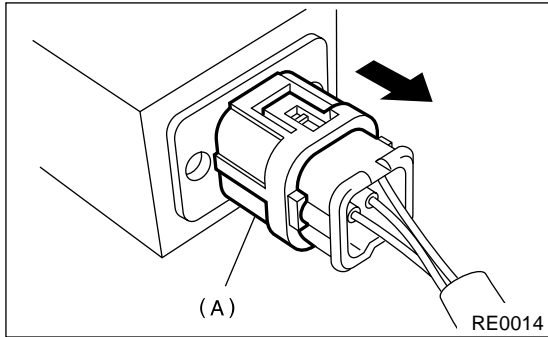


3. FRONT SUB-SENSOR, SIDE AIRBAG SENSOR

• **How to disconnect:**

- 1) Holding outer part (A), pull it in the direction of the arrow.

CAUTION:
When pulling, be sure to hold onto the connector and not the wire.

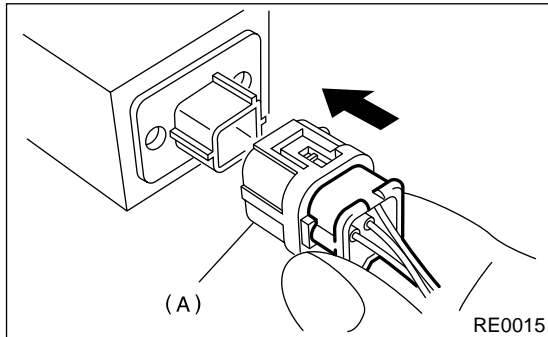


• How to connect:

Holding the connector, and push it in carefully until a connecting sound is heard.

CAUTION:

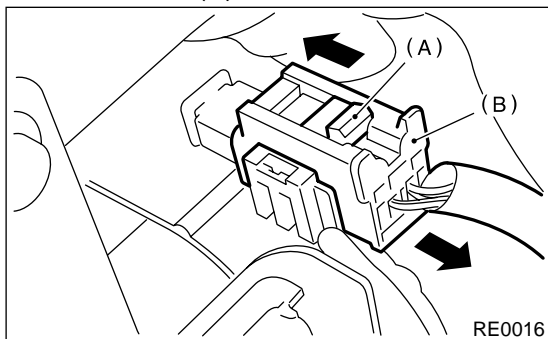
- Outer (A) moves back, and so do not put your hand on the outer part.
- Be sure to insert the connector in until it locks. Then pull on it gently to make sure that it is locked.



4. PRETENSIONER

• How to disconnect:

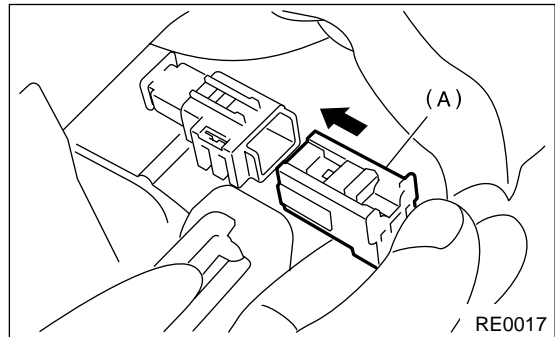
- 1) Move slide lock (A) in the direction of the arrow.
- 2) Pull the connector (B) in the direction of the arrow with slide lock (A) moved.



CAUTION:
When pulling, be sure to hold onto the connector and not the wire.

• How to connect:

Holding connector (A), and push it in carefully until a connecting sound is heard.



CAUTION:

- Be sure to insert the connector in until it locks.
- Then pull on it gently to make sure that it is locked.

INSPECTION LOCATIONS AFTER A COLLISION

AIRBAG SYSTEM

3. Inspection Locations After a Collision

A: INSPECTION

If the vehicle is involved in a collision on any side, even if it is a slight collision, be sure to check the following system parts.

1. AIRBAG MODULE (DRIVER)

1) Check for the following, and replace damaged parts with new parts.

- Airbag module is cracked or deformed.
- Harness and/or connector is cracked, deformed or open. Lead wire is exposed.
- The module surface is fouled with grease, oil, water or cleaning solvent.

2) When installing a new driver's airbag module, check the following. If necessary, install a new airbag module and steering wheel.

- The steering wheel is in the way, making it difficult to install the airbag module.
- The clearance between the driver's airbag module and steering wheel is not constant.
- Free play of the steering wheel is over specifications in axial and radial directions.

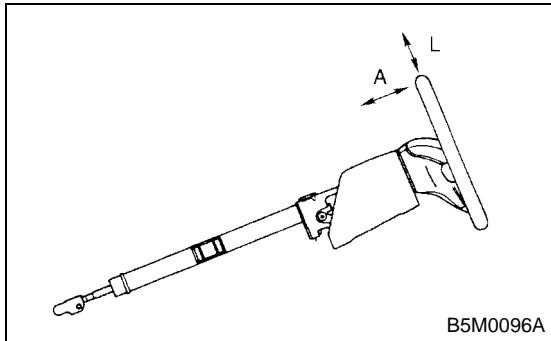
Specifications:

Axial free play A

Less than 6 mm (0.24 in)

Radial free play L

Less than 17 mm (0.67 in)



2. AIRBAG MODULE (PASSENGER)

Check for the following, and replace damaged parts with new parts.

- Airbag module is cracked or deformed.
- Harness and/or connector is cracked, deformed or open. Lead wire is exposed.
- Mounting bracket is cracked or deformed.

3. AIRBAG MODULE (SIDE)

Check for the following, and replace damaged parts with new parts.

- Front seat is damaged or deformed.
- Harness and/or connector is cracked, deformed or open.

- Lead wire is exposed.

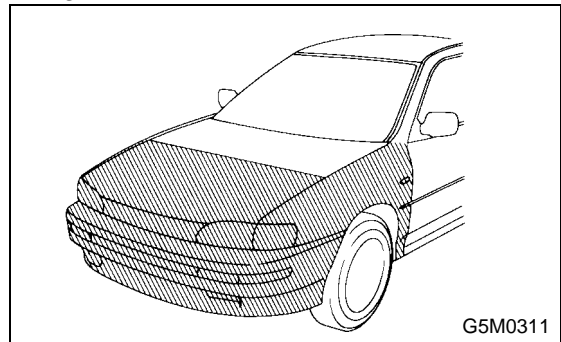
4. AIRBAG CONTROL MODULE

Check for the following, and replace damaged parts with new parts.

- Control module is cracked or deformed.
- Mounting bracket is cracked or deformed.
- Connector is scratched or deformed.
- Airbag is deployed.
- Side airbag is deployed.

5. FRONT SUB SENSOR

If the front section of vehicle as shown in the figure is damaged:



Check for the following, and replace damaged parts with new parts.

- Front sub sensor is cracked or deformed.
- Mounting bracket is cracked or deformed.
- Connector is scratched or cracked.
- Airbag is deployed.

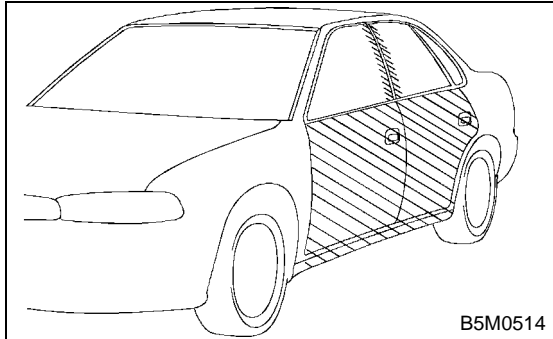
6. FRONT SUB SENSOR HARNESS

Check for the following, and replace damaged parts with new parts.

- Harness is open, lead wire is exposed, and corrugated tube is noticeably cracked.
- Connector is scratched or cracked.

7. SIDE AIRBAG SENSOR

If the side section of vehicle as shown in the figure is damaged:



Check for the following, and replace damaged parts with new parts.

- Side airbag sensor is cracked or deformed.
- Mounting bracket is cracked or deformed.
- Connector is scratched or cracked.
- Side airbag is deployed. (operating side)

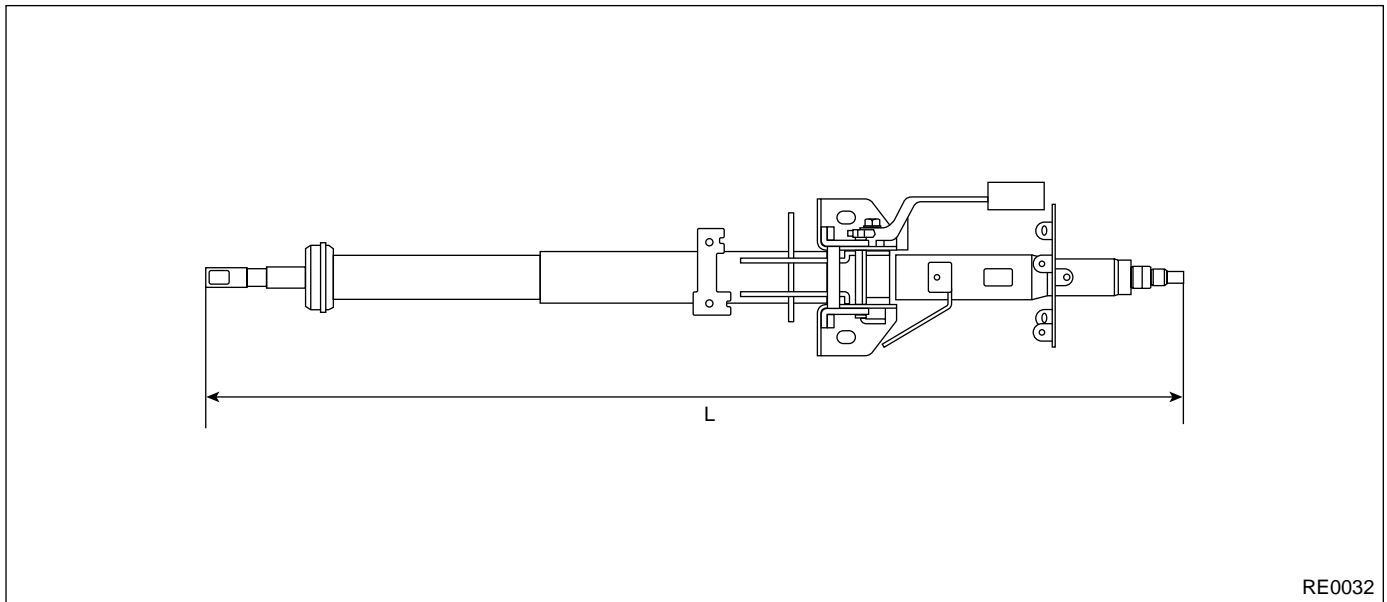
11. STEERING SHAFT

Check for the following, and replace damaged parts with new parts.
Overall length of steering column should be within specifications.

Specifications:

Overall length L

825.7±1.5 mm (32.5±0.06 in)



If necessary, replace it with new part.

8. SIDE AIRBAG SENSOR HARNESS

Check for the following, and replace damaged parts with new parts.

- Harness is open, lead wire is exposed, and corrugated tube is noticeably cracked.
- Connector is scratched or cracked.

9. MAIN HARNESS

Check for the following, and replace damaged parts with new parts.

- Harness is open, lead wire is exposed, and corrugated tube is noticeably cracked.
- Connector is scratched or cracked.

10. ROLL CONNECTOR

Check for the following, and replace damaged parts with new parts.

- Combination switch or steering roll connector is cracked or deformed.

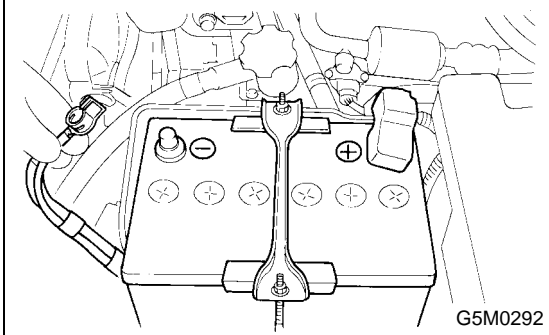
DRIVER'S AIRBAG MODULE

AIRBAG SYSTEM

4. Driver's Airbag Module

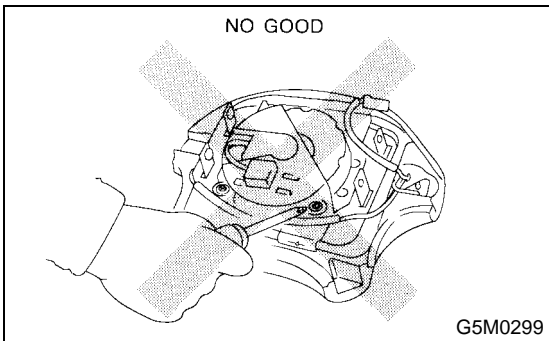
A: CAUTION

When disconnecting and connecting the airbag connector, be sure to turn the ignition switch OFF, disconnect the ground cable from the battery, and wait for more than 20 seconds before starting work.

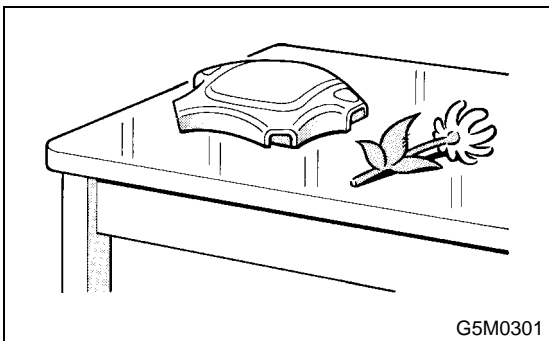


The airbag module (driver, passenger, and side) must not be disassembled.

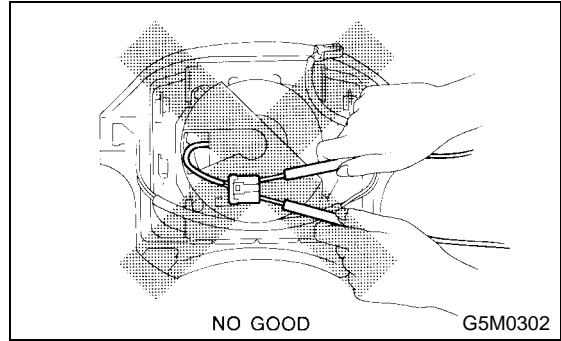
The airbag module cannot be used again once inflated.



After removal, keep the airbag module with the pad facing upward on a dry, clean, and flat surface away from heat and light sources, and moisture and dust.



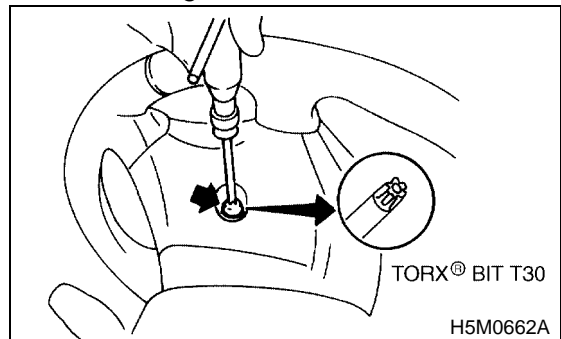
Do not check continuity of the airbag module (driver, passenger, and side).



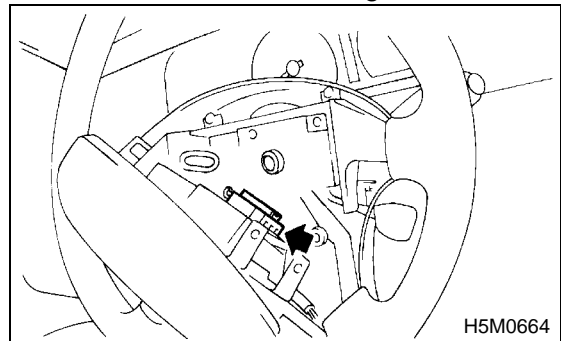
Do not use the airbag system and pretensioners on other vehicles. When replacing parts, be sure to replace them with new parts.

B: REMOVAL

- 1) Position front wheels straight ahead. (After moving a vehicle more than 5 m (16 ft) with front wheels positioned straight ahead, make sure that the vehicle moves straight ahead).
- 2) Turn ignition switch OFF.
- 3) Disconnect the ground cable from the battery, and wait for at least 20 seconds before starting work.
- 4) Using TORX® BIT T30, remove two TORX® bolts on side of steering wheel.



- 5) Disconnect airbag connector on back of airbag module, and then remove airbag module.



6) Refer to "CAUTION" for handling of a removed airbag module. <Ref. to AB-3, CAUTION, General Description.>

C: INSTALLATION

1) Install in the reverse order of removal.

CAUTION:

Do not allow harness and connectors to interfere or get tangled up with other parts.

D: INSPECTION

Check for the following, and replace damaged parts with new parts.

- Airbag module, harness, connector, and mounting bracket are damaged.

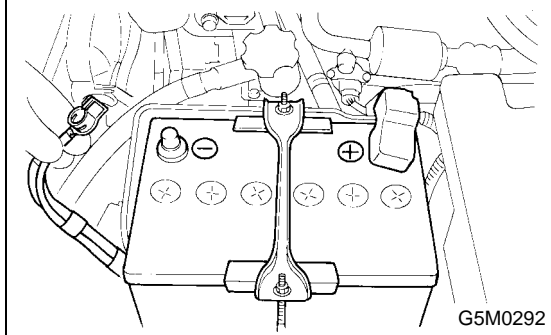
PASSENGER'S AIRBAG MODULE

AIRBAG SYSTEM

5. Passenger's Airbag Module

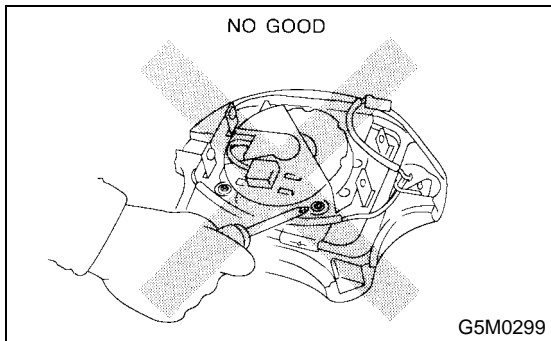
A: CAUTION

When disconnecting and connecting the airbag connector, be sure to turn the ignition switch OFF, disconnect the ground cable from the battery, and wait for more than 20 seconds before starting work.

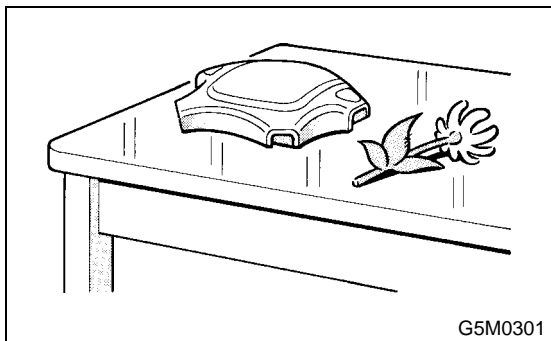


The airbag module (driver, passenger, and side) must not be disassembled.

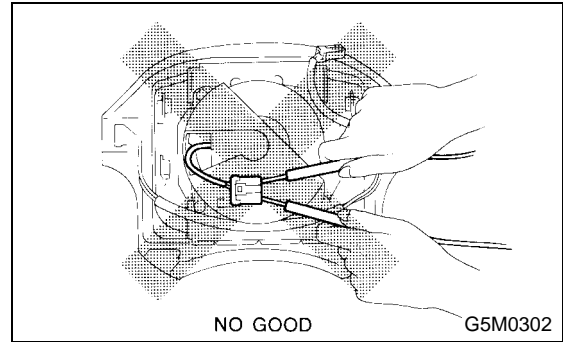
The airbag module cannot be used again once inflated.



After removal, keep the airbag module with the pad facing upward on a dry, clean, and flat surface away from heat and light sources, and moisture and dust.

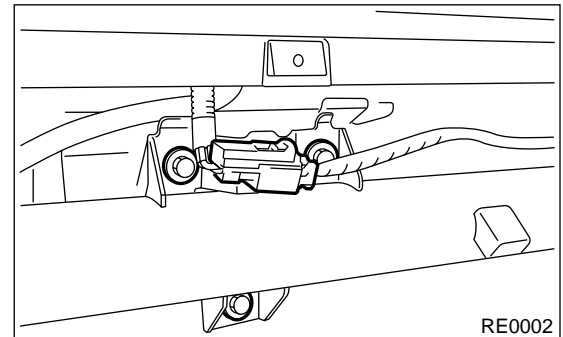


Do not check continuity of the airbag module (driver, passenger, and side) with airbag removed from the vehicle.



B: REMOVAL

- 1) Turn ignition switch OFF.
- 2) Disconnect the ground cable from the battery, and wait for at least 20 seconds before starting work.
- 3) Remove glove box. <Ref. to EI-22, REMOVAL, Glove Box.>
- 4) Detach airbag connector from support beam bracket, and then disconnect airbag connector.
- 5) Remove three bolts, and then carefully remove airbag module.



- 6) Refer to "CAUTION" for handling of a removed airbag module. <Ref. to AB-3, CAUTION, General Description.>

C: INSTALLATION

Install in the reverse order of removal.

CAUTION:

Do not allow harness and connectors to interfere or get tangled up with other parts.

D: INSPECTION

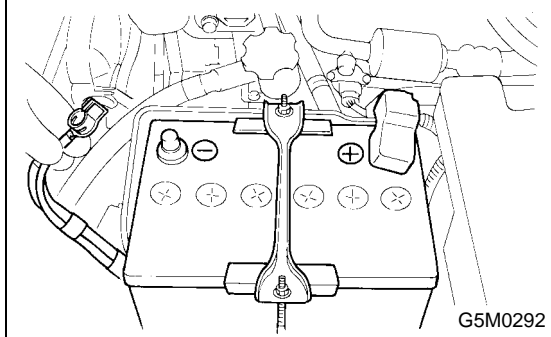
Check for the following, and replace damaged parts with new parts.

- Airbag module, harness, connector, and mounting bracket are damaged.

6. Side Airbag Module

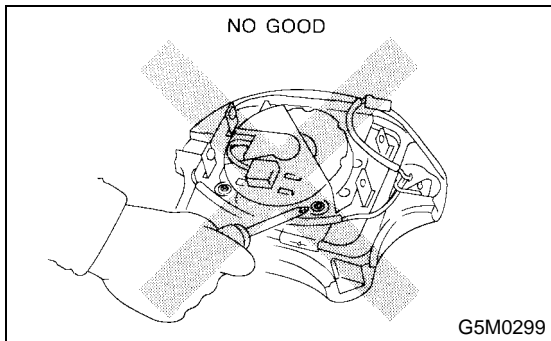
A: CAUTION

When disconnecting and connecting airbag connector, be sure to turn the ignition switch OFF, disconnect the ground cable from the battery, and wait for more than 20 seconds before starting work.

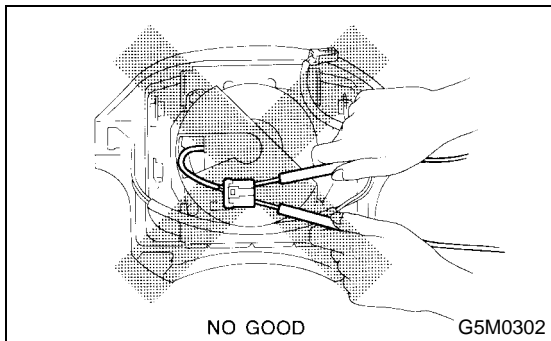


The airbag module (driver, passenger, and side) must not be disassembled.

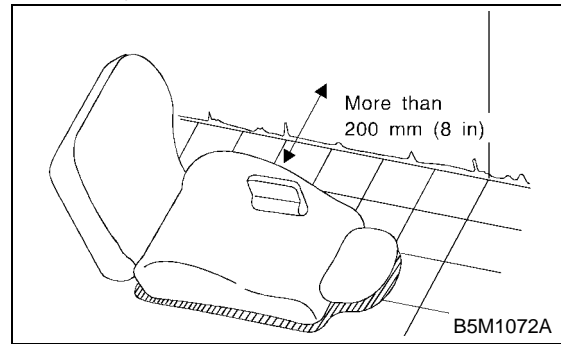
The airbag module cannot be used again once inflated.



Do not check continuity of the airbag module (driver, passenger, and side) with airbag removed from the vehicle.



The removed front seat with the airbag module must be kept at least 200 mm (8 in) away from walls and other objects.



B: REMOVAL

CAUTION:

- The side airbag module cannot be detached from the front seat assembly.
- When replacing side airbag module, replace front seat assembly.

<Ref. to SE-6, REMOVAL, Front Seat.>

C: INSTALLATION

<Ref. to SE-6, INSTALLATION, Front Seat.>

D: INSPECTION

Check for the following, and replace damaged parts with new parts.

- Front seat is deformed or damaged.
- Harness and/or connector is cracked, deformed or open.
- Lead wire is exposed.

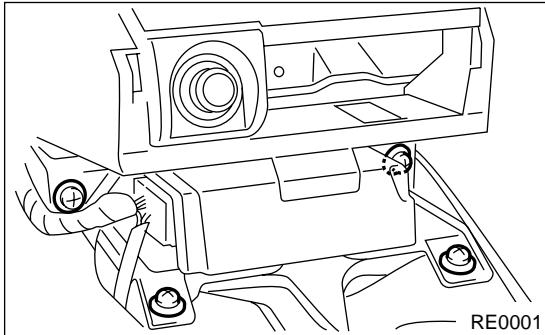
7. Airbag Control Module

A: REMOVAL

CAUTION:

- Do not disassemble the airbag control module.
- If the airbag control module is deformed or if water damage is suspected, replace the airbag control module with a new genuine part.
- Do not drop the airbag control module.
- After removal, keep the airbag control module on a dry, clean surface away from moisture, heat, and dust.

- 1) Turn ignition switch OFF.
- 2) Disconnect the ground cable from the battery, and wait for at least 20 seconds before starting work.
- 3) Remove console box. <Ref. to EI-24, REMOVAL, Console Box.>
- 4) Disconnect connector from airbag control module.
- 5) Using T40[®] TORX bit (Tamper resistant type), remove four TORX[®] bolts in the order shown in the figure.



B: INSTALLATION

CAUTION:

Use new TORX[®] bolts during re-assembly.
Install in the reverse order of removal.

C: INSPECTION

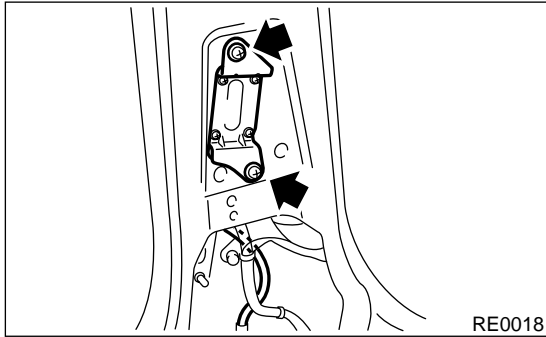
Check for the following, and replace damaged parts with new parts.

- Control module, connector, and mounting bracket are damaged.
- Airbag is deployed.
- Side airbag is deployed.

8. Side Airbag Sensor

A: REMOVAL

- 1) Turn ignition switch OFF.
- 2) Disconnect the ground cable from the battery, and wait for at least 20 seconds before starting work.
- 3) Remove outer belt (FRONT). <Ref. to SB-8, OUTER BELT (FRONT), REMOVAL, Front Seat Belt.>
- 4) Using T30 TORX® bit (Tamper resistant type), remove two TORX® bolts.
- 5) Detach side airbag sensor, and then disconnect airbag connector.



B: INSTALLATION

CAUTION:

Use new TORX® bolts during re-assembly.
Install in the reverse order of removal.

C: INSPECTION

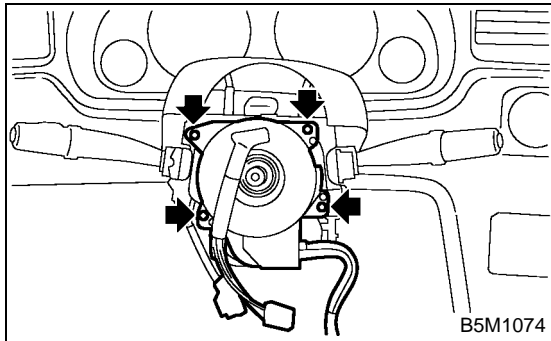
Check for the following, and replace damaged parts with new parts.

- Bracket connector for side airbag sensor is damaged.

9. Roll Connector

A: REMOVAL

- 1) Turn ignition switch OFF.
- 2) Disconnect the ground cable from the battery, and wait for at least 20 seconds before starting work.
- 3) Remove driver's airbag module. <Ref. to AB-12, Driver's Airbag Module.>
- 4) Remove steering wheel. <Ref. to PS-27, REMOVAL, Steering Wheel.>
- 5) Remove steering column cover.
- 6) Remove screws, and then remove roll connector.



B: INSTALLATION

- 1) Install in the reverse order of removal.
- 2) Before install steering wheel, be sure the direction of roll connector is adjusted with steering. <Ref. to AB-18, ADJUSTMENT, Roll Connector.>

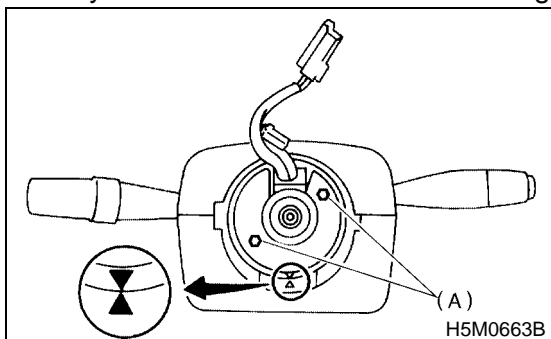
C: INSPECTION

Check for the following, and replace damaged parts with new parts.

- Combination switch and roll connector is cracked or deformed.

D: ADJUSTMENT

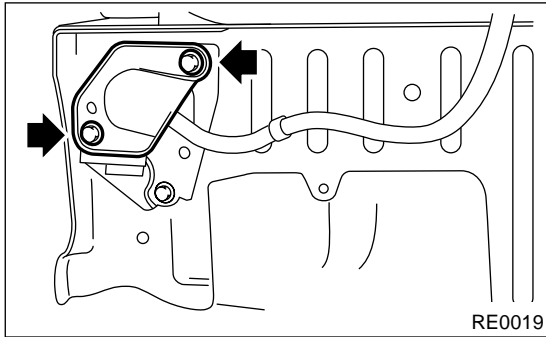
- 1) Check that front wheels are positioned in straight ahead direction.
- 2) Turn roll connector pin (A) clockwise until it stops.
- 3) Turn roll connector pin (A) counterclockwise approximately 2.65 turns until "▲" marks are aligned.



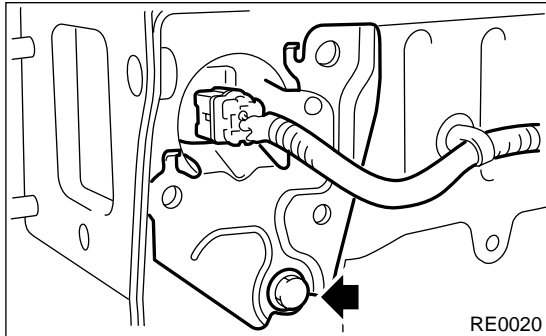
10. Front Sub Sensor

A: REMOVAL

- 1) Turn ignition switch OFF.
- 2) Disconnect the ground cable from the battery, and wait for at least 20 seconds before starting work.
- 3) Remove front bumper. <Ref. to EI-8, REMOVAL, Front Bumper.>
- 4) Loosen two bolts to remove sensor cover.



- 5) Remove bolt, and then detach front sub sensor.
- 6) Disconnect connector from front sub sensor.



B: INSTALLATION

Install in the reverse order of removal.

C: INSPECTION

Check for the following, and replace damaged parts with new parts.

- Front sub sensor, mounting bracket, and connector are damaged.

DISPOSAL OF AIRBAG MODULE (DEPLOYING WHILE INSTALLED IN VEHICLE)

AIRBAG SYSTEM

11. Disposal of Airbag Module (Deploying While Installed in Vehicle)

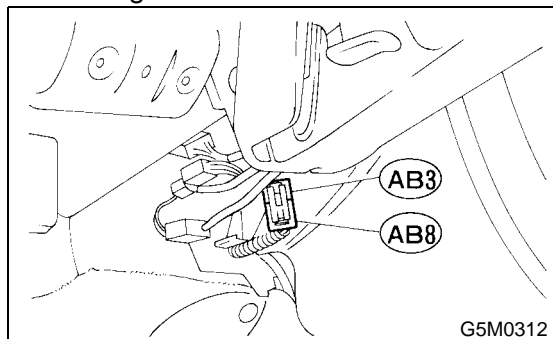
A: OPERATION

CAUTION:

- Do not discard undeployed airbag module because it may cause serious personal injury when accidentally deployed.
- As a rule, the airbag module should be deployed while still installed in the vehicle. Do not remove it unless necessary.
- Deployment of the airbag module should be done on a flat place free from any possible danger. Avoid deploying outdoors during rainy or windy weather.
- Deploying the airbag module causes a high explosive noise, be sure to warn people in the area, and do not allow anyone within a 5 m (16 ft) radius of the disposal site.
- Some smoke will be emitted from deployment of the airbag module. Therefore, it must be deployed in a well-ventilated place with no fire alarms nearby.
- Wear gloves, goggles, and earplugs during this operation. Wash your hands afterwards.
- After deployment, the airbag module will be especially hot. Leave it unattended for 40 minutes, and then discard it.
- Do not let water get on the deployed airbag module.
- Wrap the deployed airbag module in an airtight vinyl bag, and discard it.
- If circumstances do not permit airbag module deployment, contact a SUBARU dealer.

1. AIRBAG MODULE (DRIVER)

- 1) Turn ignition switch OFF.
- 2) Disconnect the ground cable from the battery, and wait for at least 20 seconds before starting work.
- 3) Remove lower cover.
- 4) Disconnect airbag connector (AB3) and (AB8) below steering column.



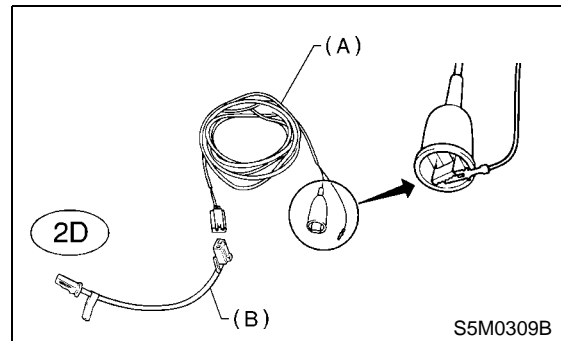
- 5) Short terminal to alligator clip furnished as deployment tool (A).
- 6) Connect the deployment tool and adapter A (deployment) (B).

Deployment tool: (Part No. 98299PA030)

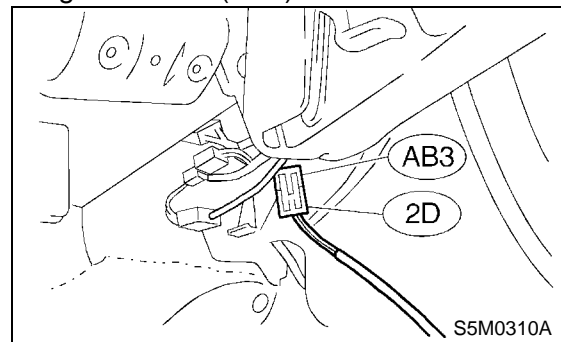
Adapter A (deployment): (Part No. 98299FC030)

CAUTION:

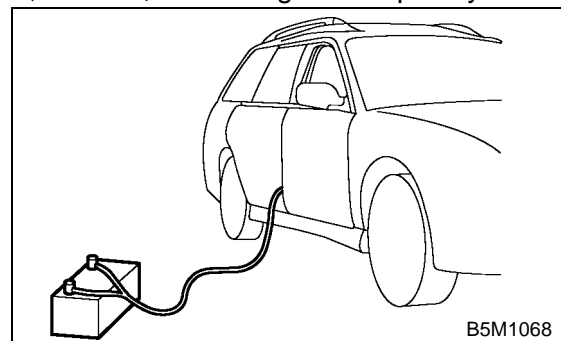
The deployment tool should be kept shorted until just before deployment of the airbag module.



- 7) Connect adapter A (deployment) connector (2D) to airbag connector (AB3).



- 8) Extend the deployment tool to the limit, and make sure that the vehicle is empty. Close all windows, sunroof, and rear gate completely.

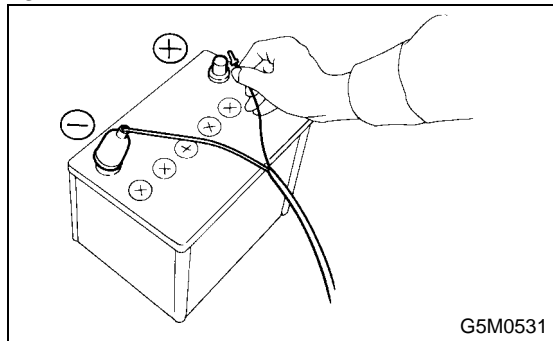


- 9) Move the battery at least 5 m (16 ft) from vehicle, and secure the nearby area. Connect the deployment tool alligator clip to the battery minus terminal.

DISPOSAL OF AIRBAG MODULE (DEPLOYING WHILE INSTALLED IN VEHICLE)

AIRBAG SYSTEM

10) Connect the other terminal of the deployment tool to the battery plus terminal. Then, deploy the airbag module.

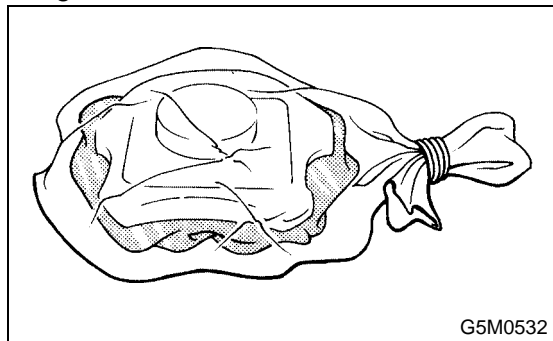


CAUTION:

- After deployment, the airbag module will be especially hot. Leave it unattended for 40 minutes, and then discard it.
- Do not let water get on the deployed airbag module.

11) Remove airbag module. <Ref. to AB-12, Driver's Airbag Module.>

12) Wrap the deployed airbag module in an airtight vinyl bag, and discard it.



2. AIRBAG MODULE (PASSENGER)

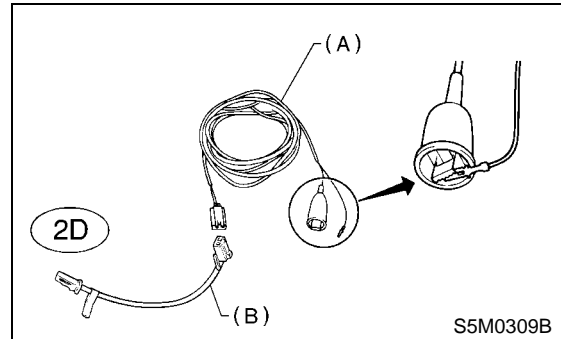
- 1) Turn ignition switch OFF.
- 2) Disconnect the ground cable from the battery, and wait for at least 20 seconds before starting work.
- 3) Remove the glove box.
- 4) Disconnect airbag connectors (AB9) and (AB10).
- 5) Short terminal to alligator clip furnished as deployment tool (A).
- 6) Connect the deployment tool and adapter A (deployment) (B).

Deployment tool: (Part No. 98299PA030)

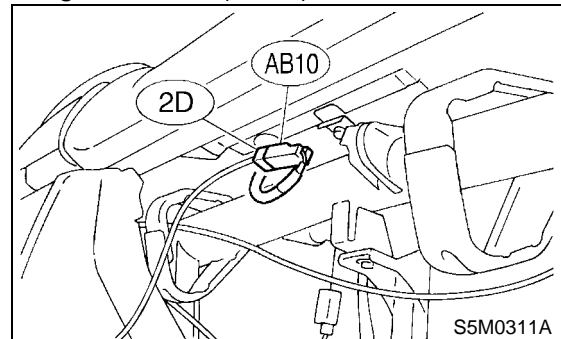
Adapter A (deployment): (Part No. 98299FC030)

CAUTION:

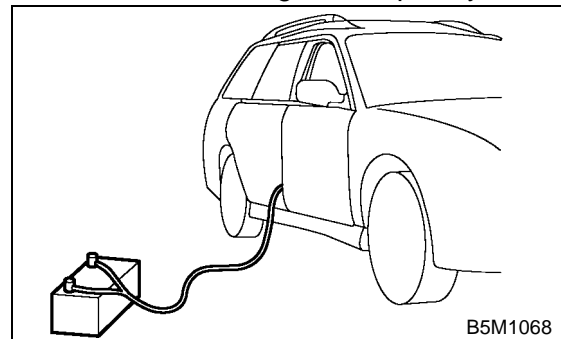
The deployment tool should be kept shorted until just before deployment of the airbag module.



7) Connect adapter A (deployment) connector (2D) to airbag connector (AB10).



8) Extend the deployment tool to the limit, and make sure that the vehicle is empty. Close all windows, sunroof, and rear gate completely.

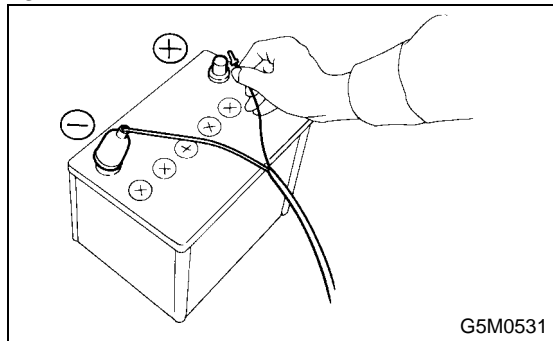


9) Move the battery at least 5 m (16 ft) from vehicle, and secure the nearby area. Connect the deployment tool alligator clip to the battery minus terminal.

DISPOSAL OF AIRBAG MODULE (DEPLOYING WHILE INSTALLED IN VEHICLE)

AIRBAG SYSTEM

10) Connect the other terminal of the deployment tool to the battery plus terminal. Then, deploy the airbag module.

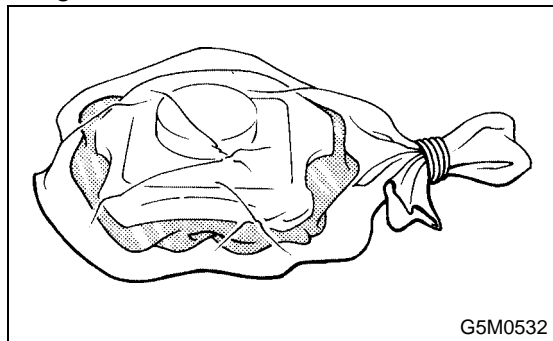


CAUTION:

- After deployment, the airbag module will be especially hot. Leave it unattended for 40 minutes, and then discard it.
- Do not let water get on the deployed airbag module.

11) Remove airbag module. <Ref. to AB-14, Passenger's Airbag Module.>

12) Wrap the deployed airbag module in an airtight vinyl bag, and discard it.



3. AIRBAG MODULE (SIDE)

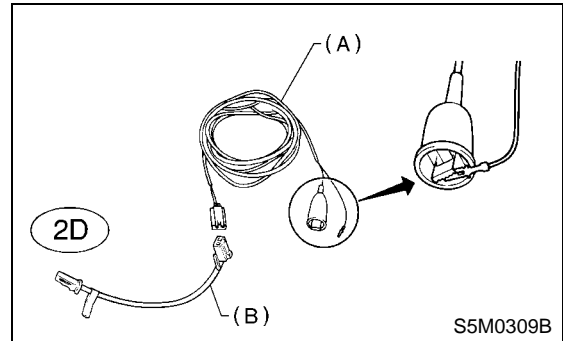
- 1) Turn ignition switch OFF.
- 2) Disconnect the ground cable from the battery, and wait for at least 20 seconds before starting work.
- 3) Disconnect the side airbag module connector (yellow) under the front seat cushion.
- 4) Adjust both the front seat and front seat backrest to center positions.
- 5) Short terminal to alligator clip furnished as deployment tool (A).
- 6) Connect the deployment tool and adapter A (deployment) (B).

Deployment tool: (Part No. 98299PA030)

Adapter A (deployment): (Part No. 98299FC030)

CAUTION:

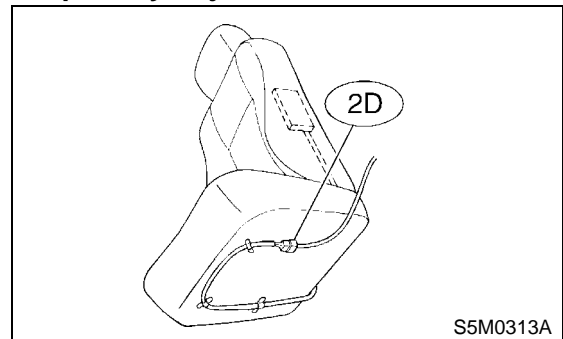
The deployment tool should be kept shorted until just before deployment of the airbag module.



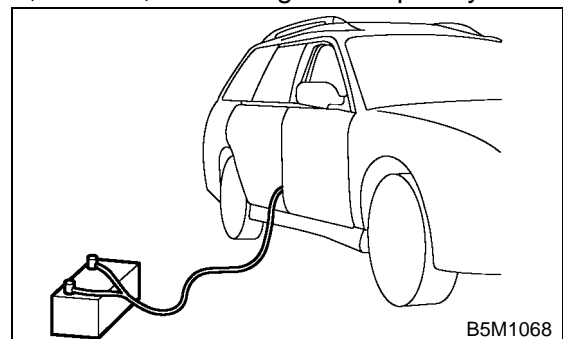
7) Connect adapter A (deployment) connector (2D) to side airbag module connector (yellow).

CAUTION:

Do not put any objects on the front seat.



8) Extend the deployment tool to the limit, and make sure that the vehicle is empty. Close all windows, sunroof, and rear gate completely.

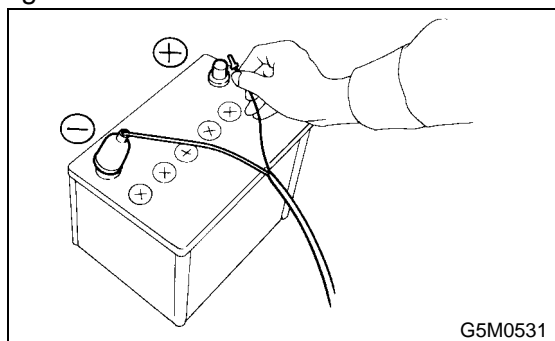


9) Move the battery at least 5 m (16 ft) from vehicle, and secure the nearby area. Connect the deployment tool alligator clip to the battery minus terminal.

DISPOSAL OF AIRBAG MODULE (DEPLOYING WHILE INSTALLED IN VEHICLE)

AIRBAG SYSTEM

10) Connect the other terminal of the deployment tool to the battery plus terminal. Then, deploy the airbag module.

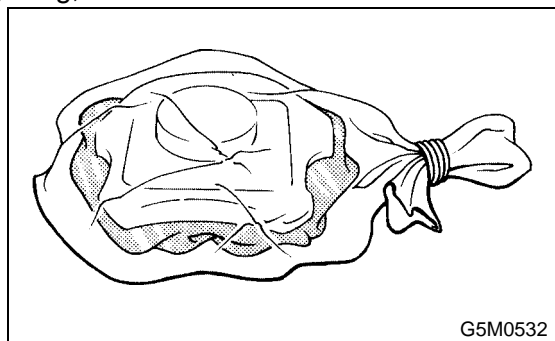


CAUTION:

- After deployment, the airbag module will be especially hot. Leave it unattended for 40 minutes, and then discard it.
- Do not let water get on the deployed airbag module.

11) Remove side airbag module.

12) Wrap the deployed airbag module in an airtight vinyl bag, and discard it.



DISPOSAL OF AIRBAG MODULE (DEPLOYING AFTER REMOVAL FROM VEHICLE)

AIRBAG SYSTEM

12. Disposal of Airbag Module (Deploying After Removal from Vehicle)

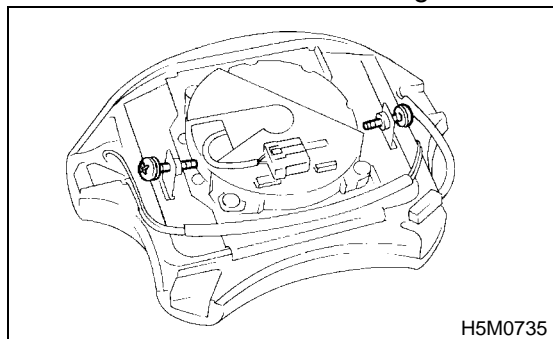
A: OPERATION

CAUTION:

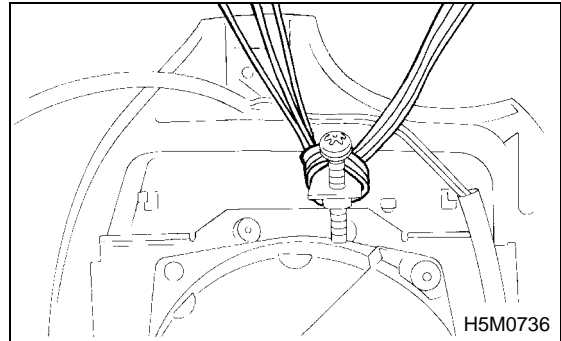
- Do not discard undeployed airbag module because it may cause serious personal injury when accidentally deployed.
- As a rule, the airbag module should be deployed while still installed in the vehicle. Do not remove it unless necessary.
- Deployment of the airbag module should be done on a flat place free from any possible danger. Avoid deploying outdoors during rainy or windy weather.
- Do not damage the airbag module or drop it.
- Deploying the airbag module causes a high explosive noise, be sure to warn people in the area, and do not allow anyone within a 5 m (16 ft) radius of the disposal site.
- Some smoke will be emitted from deployment of the airbag module. Therefore, it must be deployed in a well-ventilated place with no fire alarms nearby.
- Wear gloves, goggles, and earplugs during this operation. Wash your hands afterwards.
- After deployment, the airbag module will be especially hot. Leave it unattended for 40 minutes, and then discard it.
- Do not let water get on the deployed airbag module.
- Wrap the deployed airbag module in an airtight vinyl bag, and discard it.
- If circumstances do not permit airbag module deployment, contact a SUBARU dealer.

1. AIRBAG MODULE (DRIVER)

- 1) Turn ignition switch OFF.
- 2) Disconnect the ground cable from the battery, and wait for at least 20 seconds before starting work.
- 3) Remove airbag module. <Ref. to AB-12, Driver's Airbag Module.>
- 4) Install the removed bolts to airbag module.



- 5) Bundle three wire automotive harnesses [each with a sectional area of 1.25 mm² (0.00194 sq in) or more], and bind them twofold around the airbag module stay.



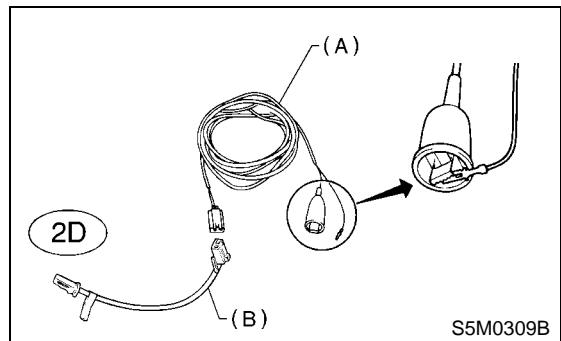
- 6) Short terminal to alligator clip furnished as deployment tool (A).
- 7) Connect the deployment tool and adapter A (deployment) (B).

Deployment tool: (Part No. 98299PA030)

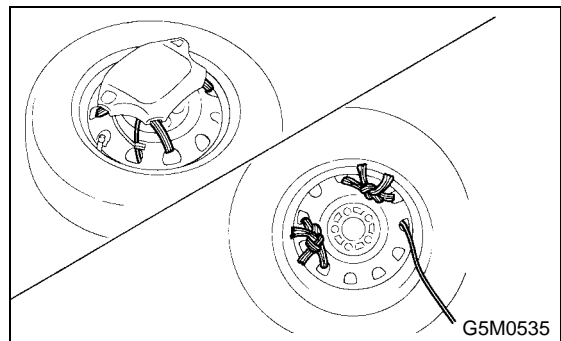
Adapter A (deployment): (Part No. 98299FC030)

CAUTION:

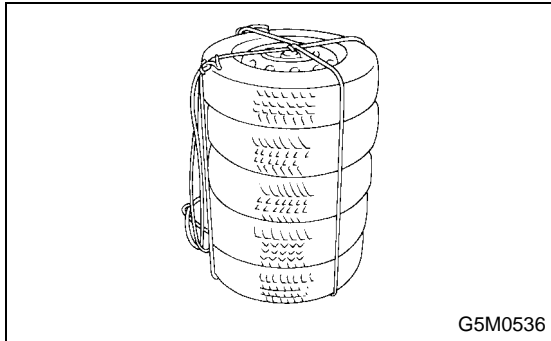
The deployment tool should be kept shorted until just before deployment of the airbag module.



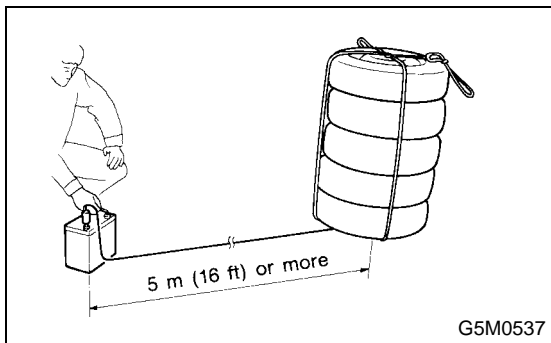
- 8) Connect adapter A (deployment) connector (2D) to airbag module.
- 9) Install airbag module with pad side facing upward on the wheel with the tire.



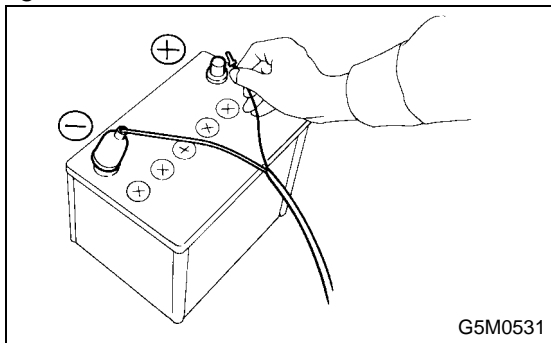
10) Put three tires without the wheel on the tire installed with the airbag module. Put on an additional tire with the wheel, and then fasten them tight with rope.



11) Move the battery at least 5 m (16 ft) from vehicle, and secure the nearby area. Connect the deployment tool alligator clip to the battery minus terminal.



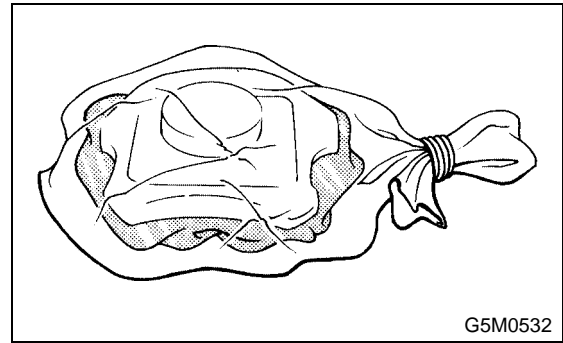
12) Connect the other terminal of the deployment tool to the battery plus terminal. Then, deploy the airbag module.



CAUTION:

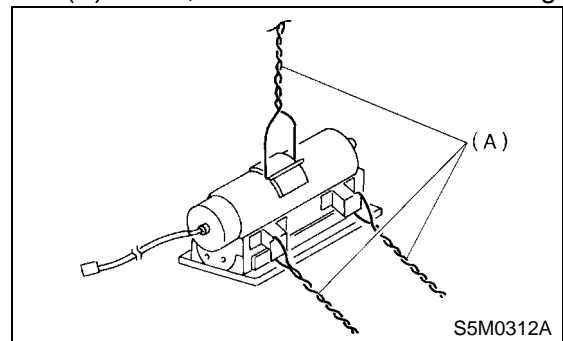
- After deployment, the airbag module will be especially hot. Leave it unattended for 40 minutes, and then discard it.
- Do not let water get on the deployed airbag module.

13) Wrap the deployed airbag module in an airtight vinyl bag, and discard it.



2. AIRBAG MODULE (PASSENGER)

- 1) Turn ignition switch OFF.
- 2) Disconnect the ground cable from the battery, and wait for at least 20 seconds before starting work.
- 3) Remove airbag module. <Ref. to AB-14, Passenger's Airbag Module.>
- 4) Bundle three wire automotive harnesses [each with a sectional area of 1.25 mm² (0.00194 sq in) or more], and route them through the airbag module bracket (A). Then, twist them for added strength.



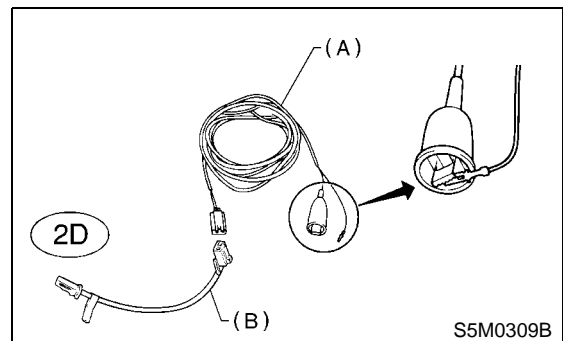
- 5) Short terminal to alligator clip furnished as deployment tool (A).
- 6) Connect the deployment tool and adapter A (deployment) (B).

Deployment tool: (Part No. 98299PA030)

Adapter A (deployment): (Part No. 98299FC030)

CAUTION:

The deployment tool should be kept shorted until just before deployment of the airbag module.

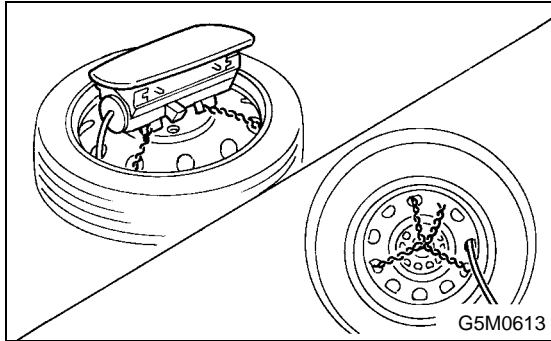


DISPOSAL OF AIRBAG MODULE (DEPLOYING AFTER REMOVAL FROM VEHICLE)

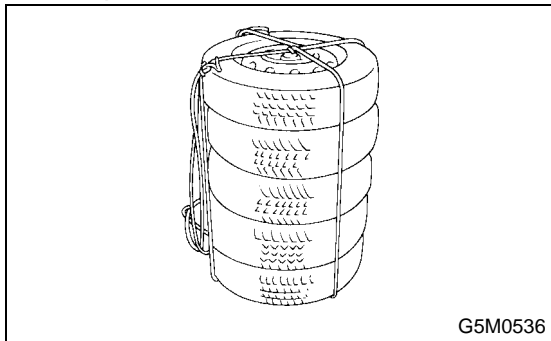
AIRBAG SYSTEM

7) Connect adapter A (deployment) connector (2D) to airbag module.

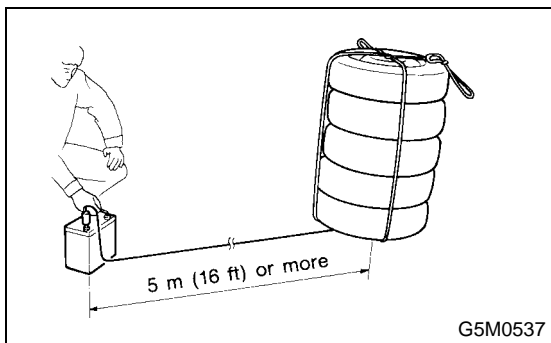
8) Install airbag module with pad side facing upward on 14 inch or greater size wheel with the tire.



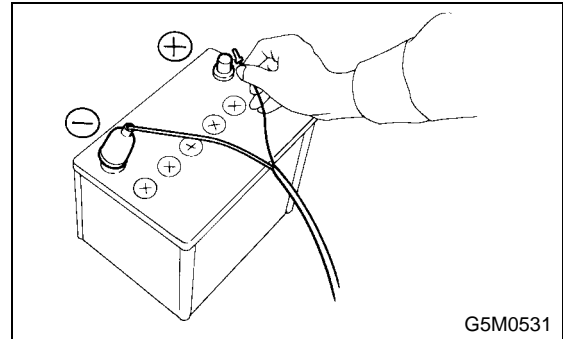
9) Put three tires without the wheel on the tire installed with the airbag module. Put on an additional tire with the wheel on top, and then fasten them tight with rope.



10) Move the battery at least 5 m (16 ft) from vehicle, and secure the nearby area. Connect the deployment tool alligator clip to the battery minus terminal.



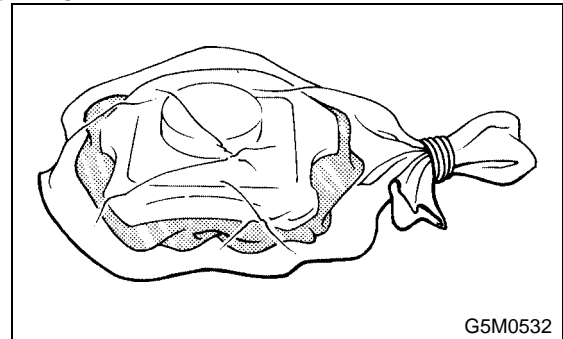
11) Connect the other terminal of the deployment tool to the battery plus terminal. Then, deploy the airbag module.



CAUTION:

- After deployment, the airbag module will be especially hot. Leave it unattended for 40 minutes, and then discard it.
- Do not let water get on the deployed airbag module.

12) Wrap the deployed airbag module in an airtight vinyl bag, and discard it.



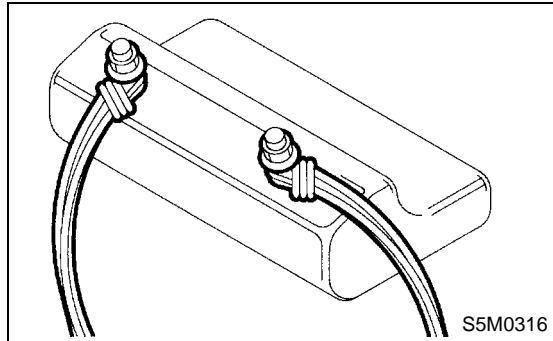
3. AIRBAG MODULE (SIDE)

- 1) Turn ignition switch OFF.
- 2) Disconnect the ground cable from the battery, and wait for at least 20 seconds before starting work.
- 3) Remove front seat. <Ref. to SE-6, REMOVAL, Front Seat.>
- 4) Remove side airbag module. <Ref. to SE-6, DISASSEMBLY, Front Seat.>
- 5) Install nuts to side airbag module.

DISPOSAL OF AIRBAG MODULE (DEPLOYING AFTER REMOVAL FROM VEHICLE)

AIRBAG SYSTEM

6) Bundle three wire automotive harnesses [each with a sectional area of 1.25 mm^2 (0.00194 sq in) or more], and bind them twofold around the airbag module stay.



7) Short terminal to alligator clip furnished as deployment tool (A).

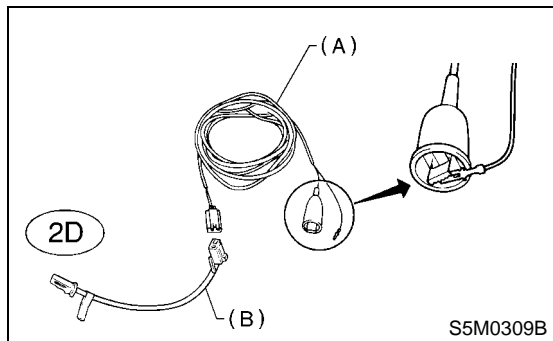
8) Connect the deployment tool and adapter A (deployment) (B).

Deployment tool: (Part No. 98299PA030)

Adapter A (deployment): (Part No. 98299FC030)

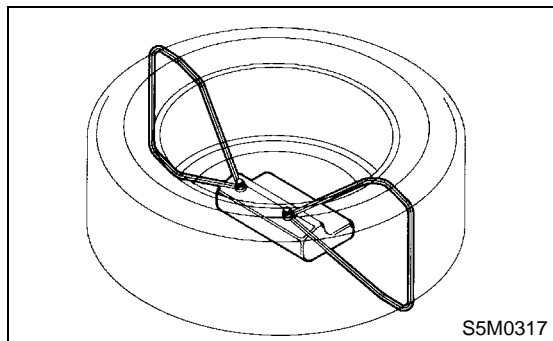
CAUTION:

The deployment tool should be kept shorted until just before deployment of the airbag module.

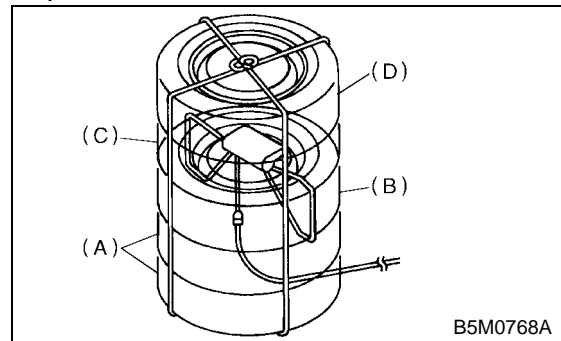


9) Connect adapter A (deployment) connector (2D) to airbag module.

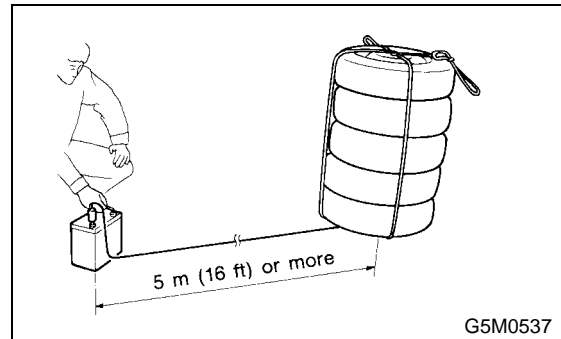
10) Install side airbag module on 14 inch or greater size tire without disk wheel.



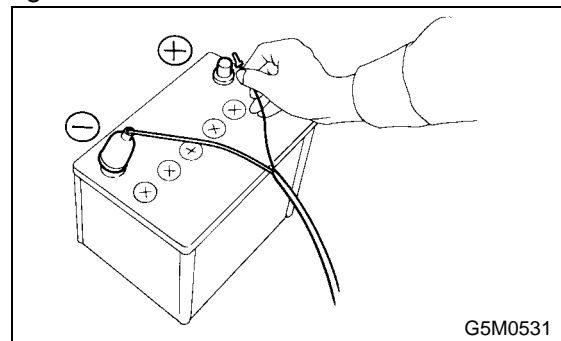
Put two tires without the wheel (A) under the tire installed with the side airbag module (B). Put on an additional tire without disk wheel (C), and then put a tire with the wheel (D) on top. Fasten them tight with rope.



11) Move the battery at least 5 m (16 ft) from the vehicle, and secure the nearby area. Connect the deployment tool alligator clip to the battery minus terminal.



12) Connect the other terminal of the deployment tool to the battery plus terminal. Then, deploy the airbag module.



CAUTION:

- After deployment, the airbag module will be especially hot. Leave it unattended for 40 minutes, and then discard it.
- Do not let water get on the deployed airbag module.

DISPOSAL OF AIRBAG MODULE (DEPLOYING AFTER REMOVAL FROM VEHICLE)

AIRBAG SYSTEM

13) Wrap the deployed airbag module in an airtight vinyl bag, and discard it.

