

BODY SECTION

This service manual has been prepared to provide SUBARU service personnel with the necessary information and data for the correct maintenance and repair of SUBARU vehicles.

This manual includes the procedures for maintenance, disassembling, reassembling, inspection and adjustment of components and diagnostics for guidance of experienced mechanics.

Please peruse and utilize this manual fully to ensure complete repair work for satisfying our customers by keeping their vehicle in optimum condition. When replacement of parts during repair work is needed, be sure to use SUBARU genuine parts.

All information, illustration and specifications contained in this manual are based on the latest product information available at the time of publication approval.

**HVAC SYSTEM
(HEATER, VENTILATOR AND A/C)** AC

**HVAC SYSTEM (AUTO A/C)
(DIAGNOSTICS)** AC

AIRBAG SYSTEM AB

AIRBAG SYSTEM (DIAGNOSTICS) AB

SEAT BELT SYSTEM SB

LIGHTING SYSTEM LI

WIPER AND WASHER SYSTEMS WW

ENTERTAINMENT ET

COMMUNICATION SYSTEM COM

GLASS/WINDOWS/MIRRORS GW

BODY STRUCTURE BS

INSTRUMENTATION/DRIVER INFO IDI

SEATS SE

SECURITY AND LOCKS SL

IMMOBILIZER (DIAGNOSTICS) IM

**SUNROOF/T-TOP/CONVERTIBLE TOP
(SUNROOF)** SR

EXTERIOR/INTERIOR TRIM EI

BODY SECTION

EXTERIOR BODY PANELS

EB

CRUISE CONTROL SYSTEM

CC

**CRUISE CONTROL SYSTEM
(DIAGNOSTICS)**

CC

SEAT BELT SYSTEM

SB

	Page
1. General Description	2
2. Inspection Locations After a Collision	7
3. Front Seat Belt	8
4. Rear Seat Belt.....	10
5. Disposal of Pretensioner	13

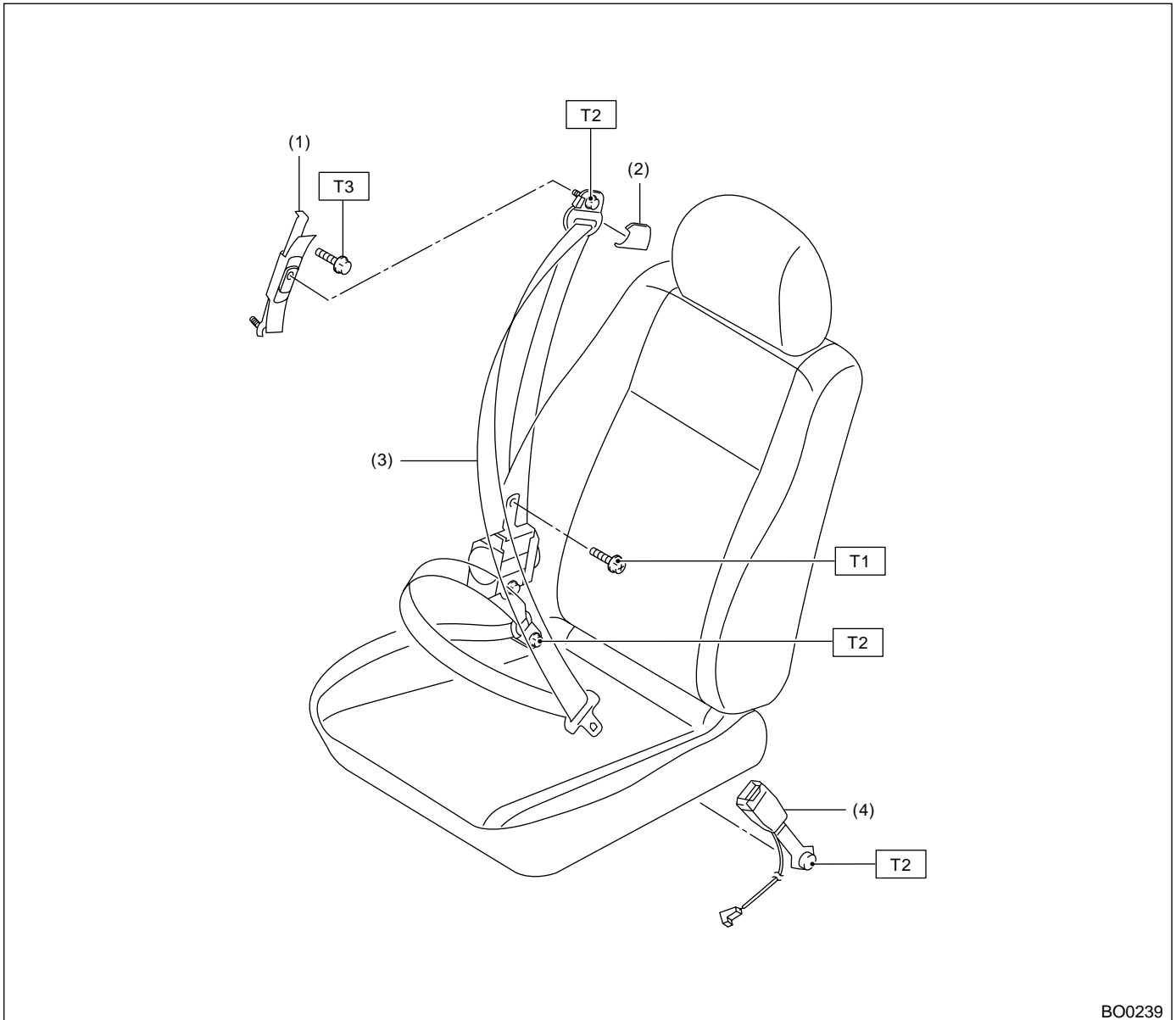
GENERAL DESCRIPTION

SEAT BELT SYSTEM

1. General Description

A: COMPONENT

1. FRONT SEAT BELT



BO0239

- (1) Adjuster anchor ASSY
- (2) Anchor cover
- (3) Outer belt ASSY
- (4) Inner belt ASSY

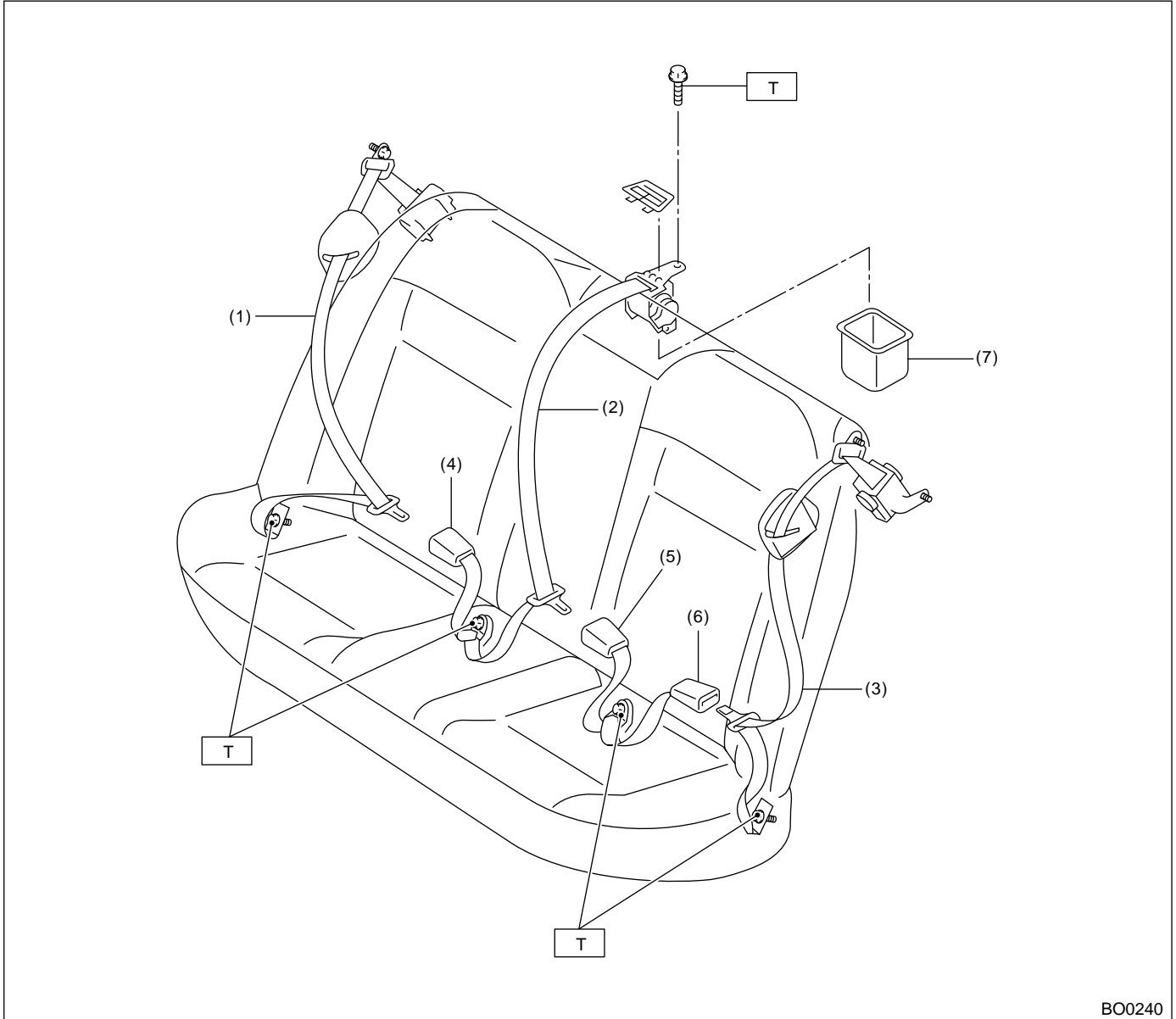
Tightening torque: N·m (kgf·m, ft·lb)

T1: 7.5 (0.76, 5.5)

T2: 30 (3.1, 22)

T3: 53 (5.4, 39)

2. REAR SEAT BELT (SEDAN BODY)



BO0240

- | | |
|----------------------------|----------------------------|
| (1) Outer seat belt RH | (5) Inner seat belt CENTER |
| (2) Outer seat belt CENTER | (6) Inner seat belt LH |
| (3) Outer seat belt LH | (7) Case center ELR |
| (4) Inner seat belt RH | |

Tightening torque: N-m (kgf-m, ft-lb)

T: 30 (3.1, 22)

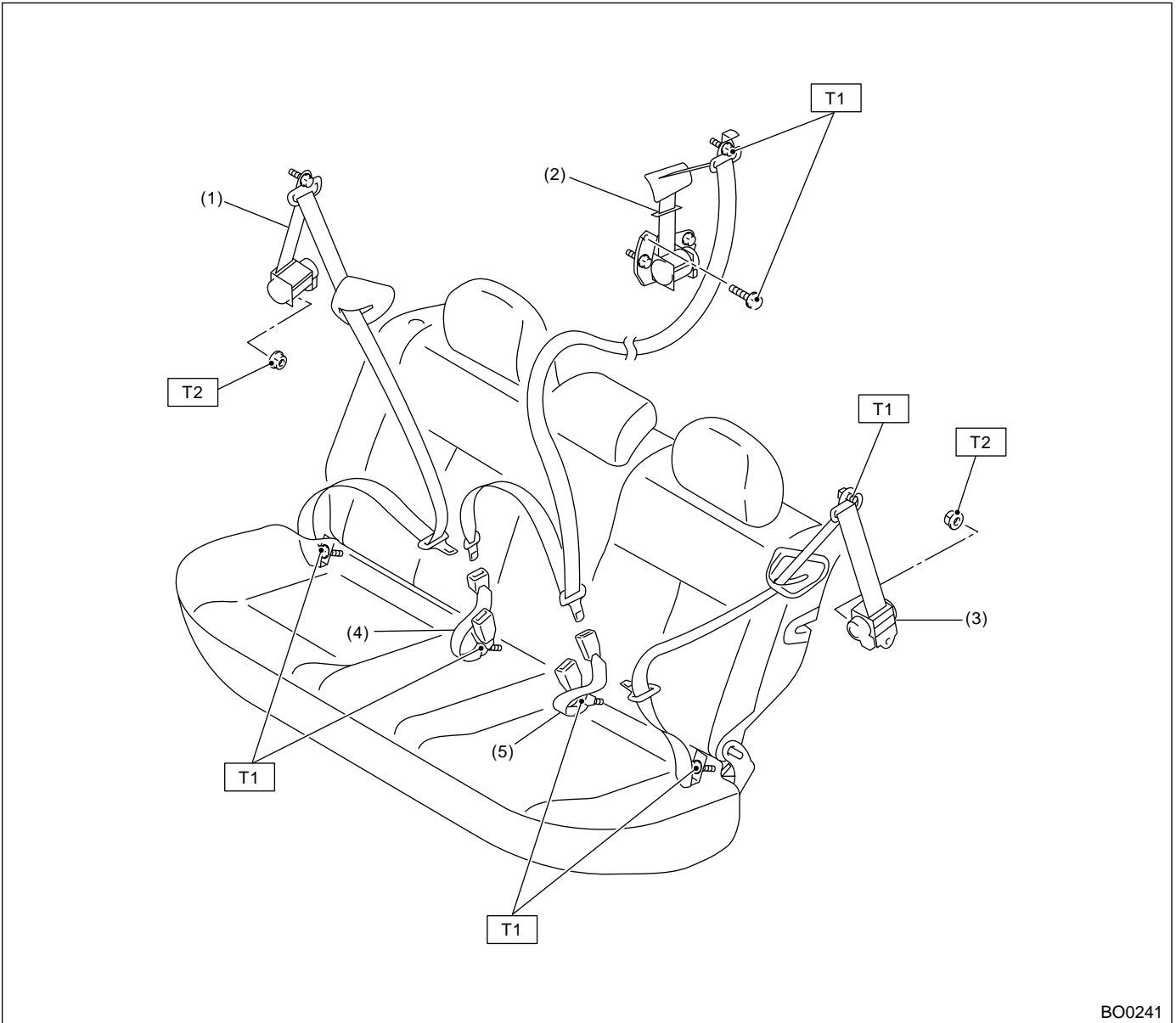
T2: 30 (3.1, 22)

T3: 53 (5.4, 39)

GENERAL DESCRIPTION

SEAT BELT SYSTEM

3. REAR SEAT BELT (WAGON BODY)



BO0241

- (1) Outer seat belt RH
- (2) Outer seat belt CENTER
- (3) Outer seat belt LH
- (4) Inner seat belt RH

- (5) Inner seat belt LH

Tightening torque: N·m (kgf·m, ft·lb)

T1: 30 (3.1, 22)

T2: 53 (5.4, 39)

B: CAUTION

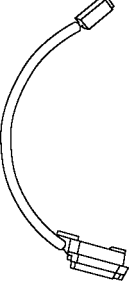
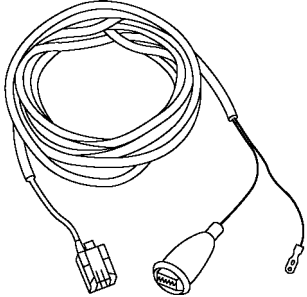
- Before starting, turn the ignition switch OFF, disconnect the battery ground cable and wait for 20 seconds or more.
- The pretension system has a backup power source. The pretensioner might deploy if you do not wait for 20 seconds or more before starting work.
- Do not drop or apply any impact to the pretensioner.
- If oil, grease, or water gets on the pretensioner, wipe it off immediately with a dry cloth.
- Do not expose the pretensioner to high temperature or flame.
- Do not allow current to flow through or voltage to reach the pretensioner. Do not use a circuit tester to check resistance of the pretensioner.
- Do not disassemble or attempt to repair the pretensioner. If it is dented, cracked, or deformed, replace it with a new one.
- Do not use the air bag or pretensioner parts from other vehicles. Always replace parts with new parts.
- When handling a seat belt with a deployed pretensioner, wear gloves and goggles. Wash your hands afterwards.
- Do not re-use a seat belt with a deployed pretensioner again.
- Be sure to deploy pretensioner before disposal. <Ref. to SB-13, OPERATION, Disposal of Pretensioner.>
- If the material gets in your eyes or on your skin during deployment, wash it away with clean water, and then consult a doctor.

GENERAL DESCRIPTION

SEAT BELT SYSTEM

C: PREPARATION TOOL

1. SPECIAL TOOLS

ILLUSTRATION	TOOL NUMBER	DESCRIPTION	REMARKS
 B5M1114	98299FE010	ADAPTER C (DEPLOYMENT)	<ul style="list-style-type: none">• Used for deploying the pretensioner.• Used with DEPLOYMENT TOOL (98299PA030).
 B5M1115	98299PA030	DEPLOYMENT TOOL	<ul style="list-style-type: none">• Used for deploying the pretensioner.• Used with ADAPTER A (DEPLOYMENT) (98299FC030).

2. Inspection Locations After a Collision

A: INSPECTION

Check for the following, and then replace with new parts if necessary.

- Center pillar lower garnish is discolored or cracked.
- Wire harness and/or connector is damaged.

FRONT SEAT BELT

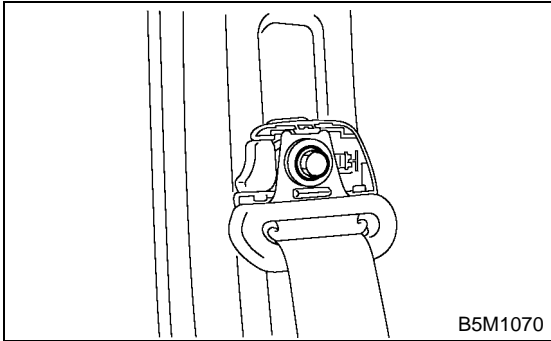
SEAT BELT SYSTEM

3. Front Seat Belt

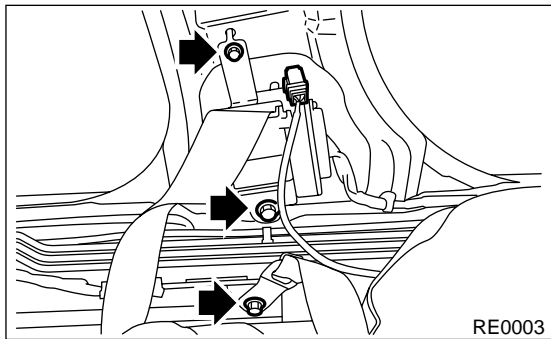
A: REMOVAL

1. OUTER BELT (FRONT)

- 1) Fold backrest all the way forward, and then move front seat all the way forward.
- 2) Turn ignition switch OFF, disconnect ground cable from battery, and wait for more 20 seconds before starting work.
- 3) Remove center pillar lower trim. <Ref. to EI-29, REMOVAL, Lower Inner Trim.>
- 4) Remove anchor cover. Loosen shoulder anchor bolt, and then detach shoulder anchor from center pillar.



- 5) Turn over the floor mat to remove bolts.



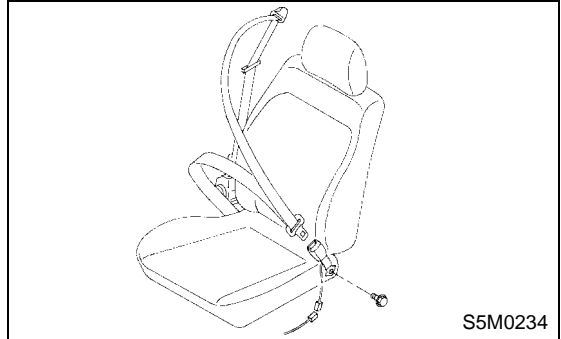
- 6) Disconnect yellow connector of pretensioner harness, and remove outer belt (front).

CAUTION:

- Do not drop or apply any impact to pretensioner.
- Pretensioner and bracket should be treated as an assembly. Do not attempt to disassemble it.

2. INNER BELT (FRONT)

- 1) Disconnect connector.
- 2) Remove anchor bolt, and then detach inner belt.



B: INSTALLATION

1. OUTER BELT (FRONT)

Install in the reverse order of removal.

CAUTION:

- **The parts on left and right are not identical. Before installation, make sure that the correct part is used.**
- **Be careful not to twist belts during installation.**

2. INNER BELT (FRONT)

Install in the reverse order of removal.

C: INSPECTION

1. OUTER BELT (FRONT)

Check for the following, and replace with new parts if necessary.

- Pretensioner is cracked or deformed.
- Seat belt is slackened, bent, or frayed. Seat belt is abnormally wound or extended.

2. INNER BELT (FRONT)

Check for the following, and replace with new parts if necessary.

- Inner belt is deformed or damaged.
- Seat belt buckle is engaged improperly.

REAR SEAT BELT

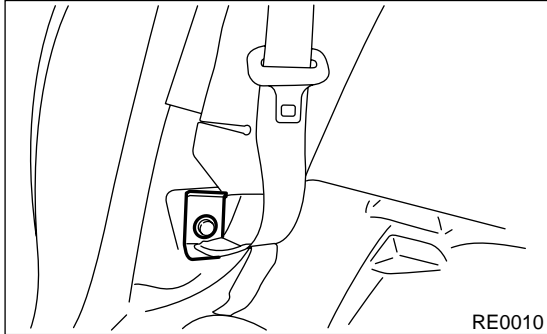
SEAT BELT SYSTEM

4. Rear Seat Belt

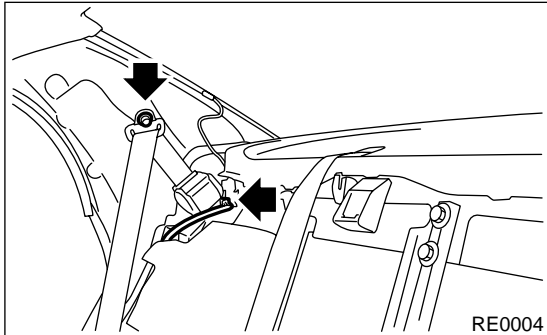
A: REMOVAL

1. OUTER BELT SIDE (SEDAN BODY)

- 1) Remove rear seat. <Ref. to SE-11, REMOVAL, Rear Seat.>
- 2) Remove side sill rear lower cover. <Ref. to EI-29, REMOVAL, Lower Inner Trim.>
- 3) Remove seat belt lower anchor bolt.

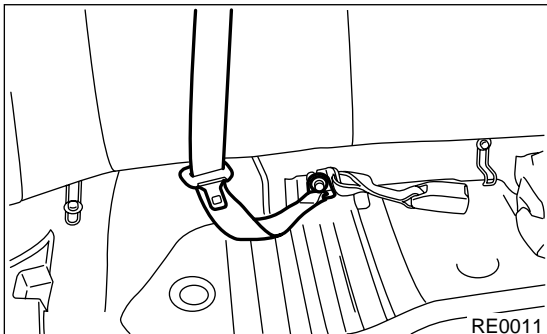


- 4) Remove quarter pillar trim. <Ref. to EI-30, REMOVAL, Rear Quarter Trim.>
- 5) Remove bolts, and then detach seat belt.



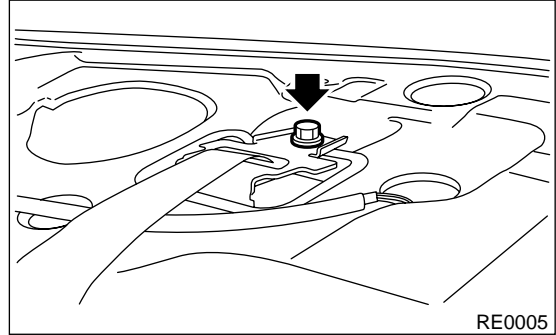
2. OUTER BELT CENTER (SEDAN BODY)

- 1) Remove rear seat. <Ref. to SE-11, REMOVAL, Rear Seat.>
- 2) Remove seat belt lower anchor bolt.



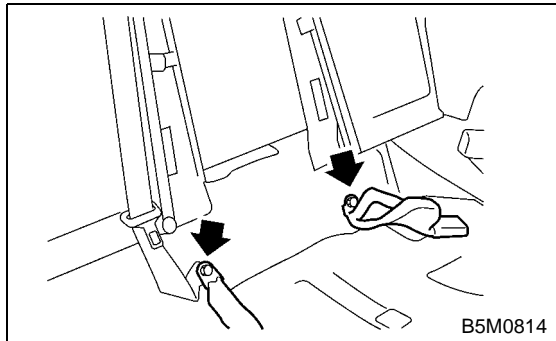
- 3) Remove quarter pillar trim. <Ref. to EI-30, Removal, Rear Quarter Trim.>>
- 4) Remove rear shelf trim. <Ref. to EI-35, REMOVAL, Rear Shelf Trim.>

- 5) Remove bolts, and then detach seat belt.



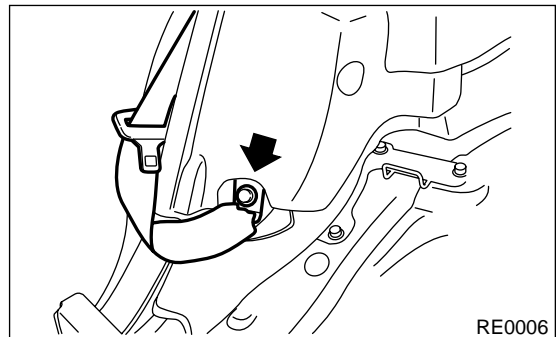
3. INNER BELT (SEDAN BODY)

- 1) Remove the rear cushion. <Ref. to SE-11, REMOVAL, Rear Seat.>
- 2) Remove bolts, and then detach inner belt.



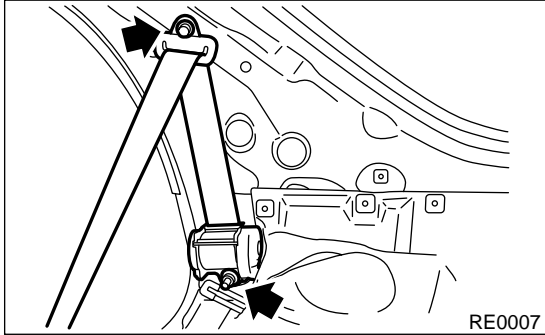
4. OUTER BELT SIDE (WAGON BODY)

- 1) Remove luggage floor mat. <Ref. to EI-38, REMOVAL, Luggage Floor Mat.>
- 2) Remove rear seat. <Ref. to SE-11, REMOVAL, Rear Seat.>
- 3) Remove side sill rear lower cover. <Ref. to EI-29, REMOVAL, Lower Inner Trim.>
- 4) Remove seat belt lower anchor bolt.



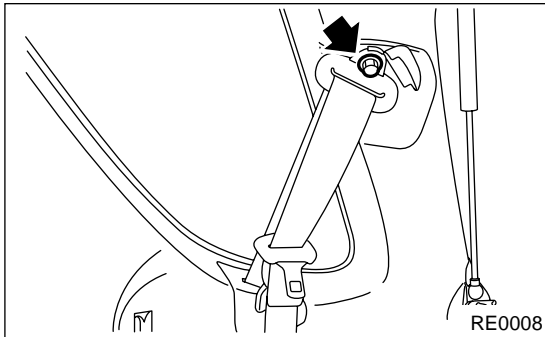
- 5) Remove rear quarter trim. <Ref. to EI-30, REMOVAL, Rear Quarter Trim.>

6) Remove bolts, and then detach outer belt side.



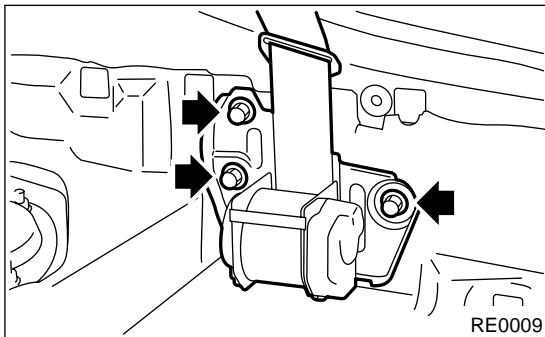
5. OUTER BELT CENTER (WAGON BODY)

1) Loosen shoulder anchor bolt, and then detach shoulder anchor from quarter pillar.



2) Remove quarter trim. <Ref. to EI-30, REMOVAL, Rear Quarter Trim.>

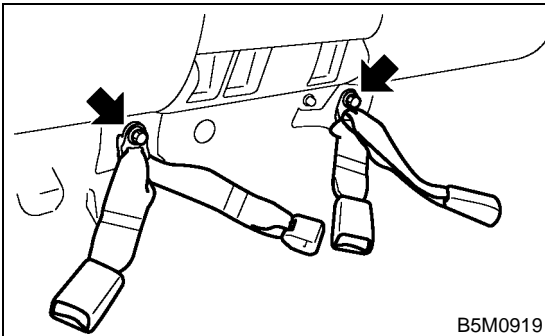
3) Remove three bolts, and then detach outer belt center.



6. INNER BELT (WAGON BODY)

1) Remove the rear cushion.

2) Remove bolt, and then detach inner belt.



REAR SEAT BELT

SEAT BELT SYSTEM

B: INSTALLATION

1. OUTER BELT SIDE (SEDAN BODY)

Install in the reverse order of removal.

CAUTION:

- During installation, make sure that seat belts are not twisted.
- After installation, make sure that seat belts can be smoothly extended and wound.

2. OUTER BELT CENTER (SEDAN BODY)

Install in the reverse order of removal.

CAUTION:

- During installation, make sure that seat belts are not twisted.
- After installation, make sure that seat belts can be smoothly extended and wound.

3. INNER BELT (SEDAN BODY)

Install in the reverse order of removal.

CAUTION:

During installation, make sure that seat belts are not twisted.

4. OUTER BELT SIDE (WAGON BODY)

Install in the reverse order of removal.

CAUTION:

- During installation, make sure that seat belts are not twisted.
- After installation, make sure that seat belts can be smoothly extended and wound.

5. OUTER BELT CENTER (WAGON BODY)

Install in the reverse order of removal.

CAUTION:

- During installation, make sure that seat belts are not twisted.
- After installation, make sure that seat belts are smoothly extended and wound.

6. INNER BELT (WAGON BODY)

Install in the reverse order of removal.

CAUTION:

During installation, make sure that seat belts are not twisted.

C: INSPECTION

1. OUTER BELT SIDE (SEDAN BODY)

Check for the following, and replace with new parts if necessary.

- Seat belt is slackened, bent, or frayed. Seat belt is abnormally wound or extended.

2. OUTER BELT CENTER (SEDAN BODY)

Check for the following, and replace with new parts if necessary.

- Seat belt is slackened, bent, or frayed. Seat belt is abnormally wound or extended.

3. INNER BELT (SEDAN BODY)

Check for the following, and replace with new parts if necessary.

- Inner belt is deformed or damaged.
- Seat belt buckle is engaged improperly.

4. OUTER BELT SIDE (WAGON BODY)

Check for the following, and replace with new parts if necessary.

- Seat belt is slackened, bent, or frayed. Seat belt is abnormally wound or extended.

5. OUTER BELT CENTER (WAGON BODY)

Check for the following, and replace with new parts if necessary.

- Seat belt is slackened, bent, or frayed. Seat belt is abnormally wound or extended.

6. INNER BELT (WAGON BODY)

Check for the following, and replace with new parts if necessary.

- Inner belt is deformed or damaged.
- Seat belt buckle is engaged improperly.

5. Disposal of Pretensioner

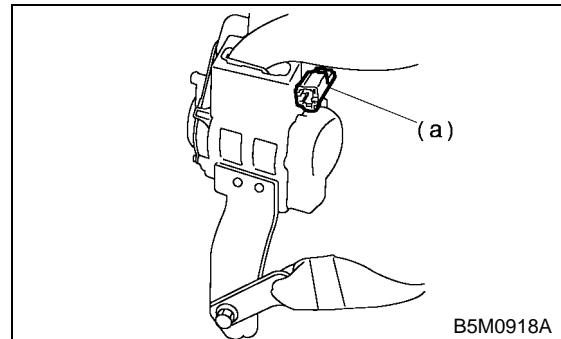
A: CAUTION

- Do not discard undeployed pretensioners, because they may cause serious personal injury when accidentally deployed.
- Deployment of the pretensioners should be done on a flat place free from any possible danger. Avoid deploying outdoors during rainy or windy weather.
- Do not drop or damage pretensioner.
- Because deploying the pretensioners causes a high-explosive noise, be sure to warn people in the area, and do not allow anyone within a 5-meter (16 ft) radius of the disposal site.
- Some smoke will be emitted after deployment of the pretensioners. Therefore, it must be deployed in a well-ventilated area with no smoke alarms nearby.
- Wear gloves, goggles, and earplugs during this operation. Wash your hands afterwards.
- After deployment, the pretensioner is especially hot. Leave it unattended for 40 minutes, and then discard it.
- Do not let water get on the deployed pretensioner.
- Wrap the deployed the pretensioner in an airtight vinyl bag, and then discard it.
- If circumstances do not permit pretensioner deployment, contact a SUBARU dealer.

B: OPERATION

1. DEPLOYING WHILE INSTALLED IN VEHICLE

- 1) Fold backrest all the way forward, and then move front seat all the way forward.
- 2) Turn ignition switch OFF, disconnect the ground cable from the battery, and wait for more than 20 seconds before starting work.
- 3) Remove center pillar lower trim. <Ref. to EI-29, REMOVAL, Lower Inner Trim.>
- 4) Disconnect yellow connector from pretensioner (a).



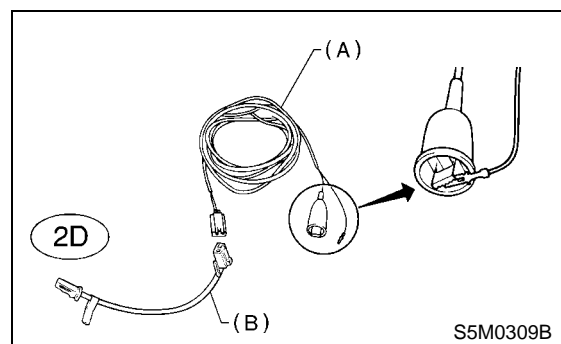
- 5) Short terminal to alligator clip furnished as deployment tool (A).
- 6) Connect the deployment tool and adapter C (deployment) (B).

Deployment tool: (Part No. 98299PA030)

Adapter C (deployment) : (Part No. 98299FE010)

CAUTION:

The deployment tool should be kept shorted until just before deployment of the pretensioner.

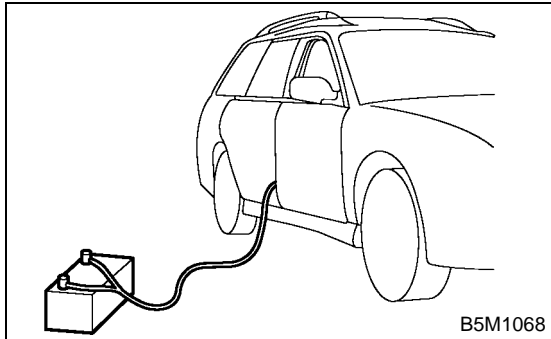


- 7) Connect adapter C (deployment) connector and pretensioner yellow connector.

DISPOSAL OF PRETENSIONER

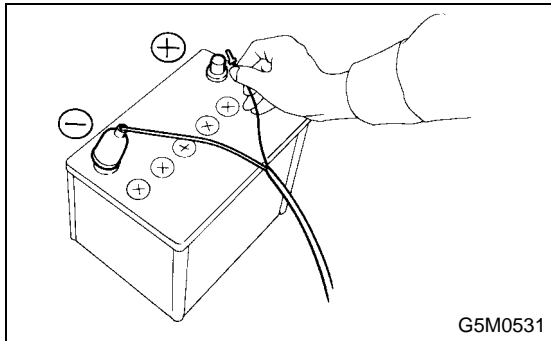
SEAT BELT SYSTEM

8) Extend the deployment tool to the limit, and make sure that vehicle is empty. Close all windows, sunroof, and rear gate completely.



9) Move the battery at least 5 m (16 ft) from the vehicle, and secure the nearby area. Connect the deployment tool alligator clip to the battery minus terminal.

10) Connect the other terminal of deployment tool to the battery plus terminal. Then deploy the pretensioner.

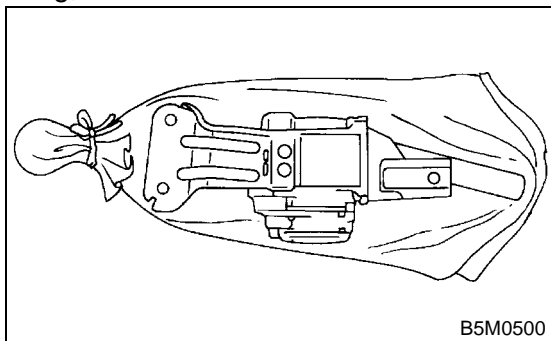


CAUTION:

- After deployment, pretensioner is especially hot. Leave it unattended for 40 minutes.
- Do not let water get on the deployed pretensioner.

11) Remove outer belt (front). <Ref. to SB-8, Removal.>

12) Wrap the deployed pretensioner in an airtight vinyl bag, and then discard it.



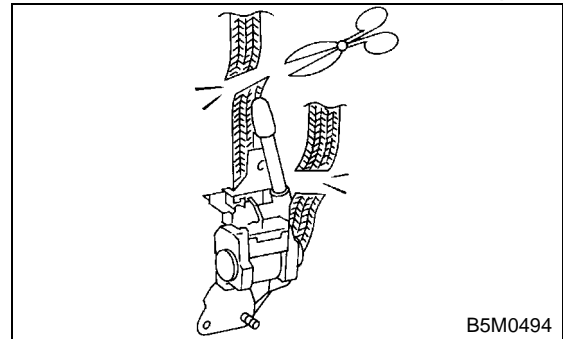
2. DEPLOYING AFTER REMOVAL FROM VEHICLE

1) Fold backrest all the way forward, then move front seat all the way forward.

2) Turn ignition switch OFF, disconnect the ground cable from the battery, and wait for more than 20 seconds before starting work.

3) Remove outer belt (front). <Ref. to SB-8, Removal.>

4) Cut off seat belt as close to retractor as possible.



5) Short terminal to alligator clip furnished as a deployment tool (A).

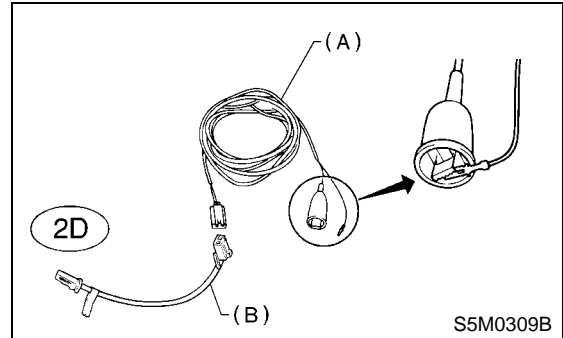
6) Connect the deployment tool and adapter C (deployment) (B).

Deployment tool: (Part No. 98299PA030)

Adapter C (deployment) : (Part No. 98299FE010)

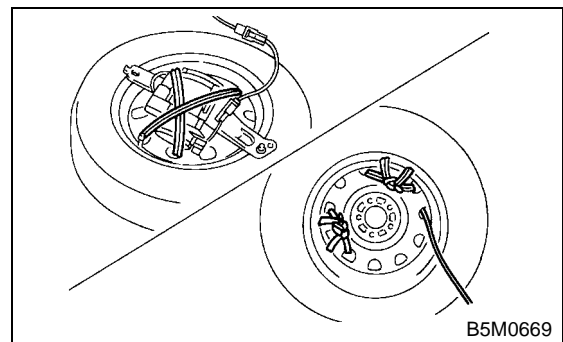
CAUTION:

The deployment tool should be kept shorted until just before deployment of the pretensioner.



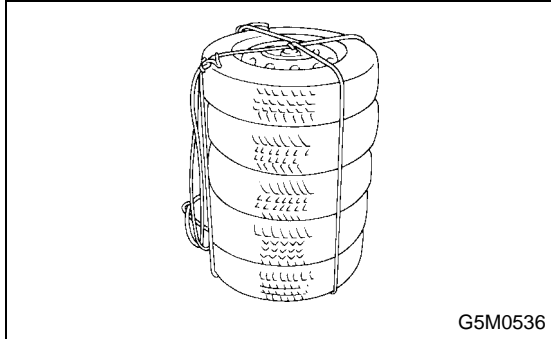
7) Connect adapter C (deployment) connector and pretensioner yellow connector.

8) Install pretensioner on the wheel with the tire. Then, bundle three wire automotive harness [each with a sectional area of 1.25 mm² (0.00194 sq in) or more], and bind them twofold around the pretensioner bracket and the wheel.

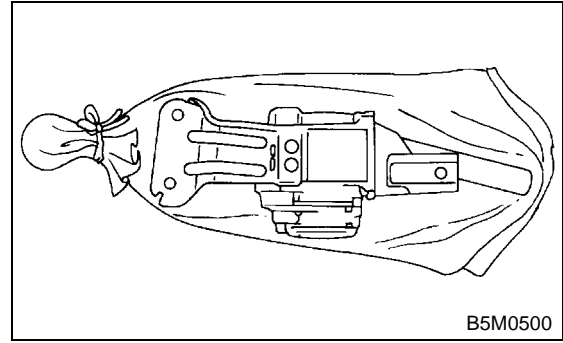


DISPOSAL OF PRETENSIONER

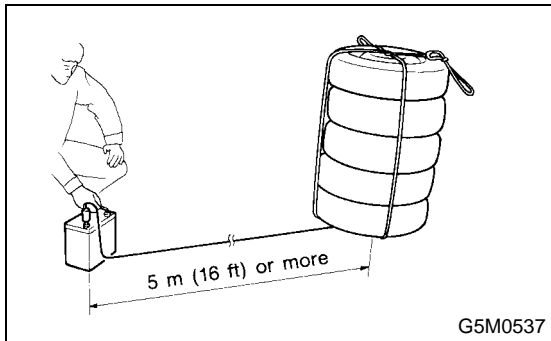
9) Put three tires without the wheel on the tire installed with pretensioner. Put on an additional tire with the wheel on top, and then fasten them tight with rope.



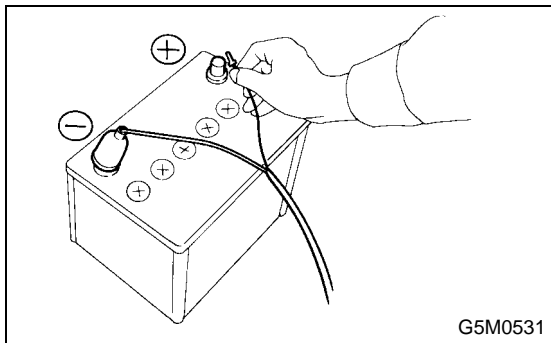
12) Wrap the deployed pretensioner in an airtight vinyl bag, and discard it.



10) Move the battery at least 5 m (16 ft) from the vehicle, and secure the nearby area. Connect the deployment tool alligator clip to the battery minus terminal.



11) Connect the other terminal of deployment tool to the battery plus terminal. Then deploy pretensioner.



CAUTION:

- After deployment, pretensioner is especially hot. Leave it unattended for 40 minutes.
- Do not let water get on the deployed pretensioner.

