

BODY SECTION

This service manual has been prepared to provide SUBARU service personnel with the necessary information and data for the correct maintenance and repair of SUBARU vehicles.

This manual includes the procedures for maintenance, disassembling, reassembling, inspection and adjustment of components and diagnostics for guidance of experienced mechanics.

Please peruse and utilize this manual fully to ensure complete repair work for satisfying our customers by keeping their vehicle in optimum condition. When replacement of parts during repair work is needed, be sure to use SUBARU genuine parts.

All information, illustration and specifications contained in this manual are based on the latest product information available at the time of publication approval.

**HVAC SYSTEM
(HEATER, VENTILATOR AND A/C)** AC

**HVAC SYSTEM (AUTO A/C)
(DIAGNOSTICS)** AC(diag)

AIRBAG SYSTEM AB

AIRBAG SYSTEM (DIAGNOSTICS) AB(diag)

SEAT BELT SYSTEM SB

LIGHTING SYSTEM LI

WIPER AND WASHER SYSTEMS WW

ENTERTAINMENT ET

COMMUNICATION SYSTEM COM

GLASS/WINDOWS/MIRRORS GW

BODY STRUCTURE BS

INSTRUMENTATION/DRIVER INFO IDI

SEATS SE

SECURITY AND LOCKS SL

**SUNROOF/T-TOP/CONVERTIBLE TOP
(SUNROOF)** SR

EXTERIOR/INTERIOR TRIM EI

EXTERIOR BODY PANELS EB

BODY SECTION

CRUISE CONTROL SYSTEM

CC

**CRUISE CONTROL SYSTEM
(DIAGNOSTICS)**

CC(diag)

IMMOBILIZER (DIAGNOSTICS)

IM(diag)

BODY STRUCTURE

BS

	Page
1. General Description	2
2. Datum Points.....	3
3. Datum Dimensions.....	11



General Description

BODY STRUCTURE

1. General Description

A: PREPARATION TOOL

TOOL NAME	REMARKS
Tram tracking gauge	Used for measuring dimension.
Tape measure	Used for measuring dimension.

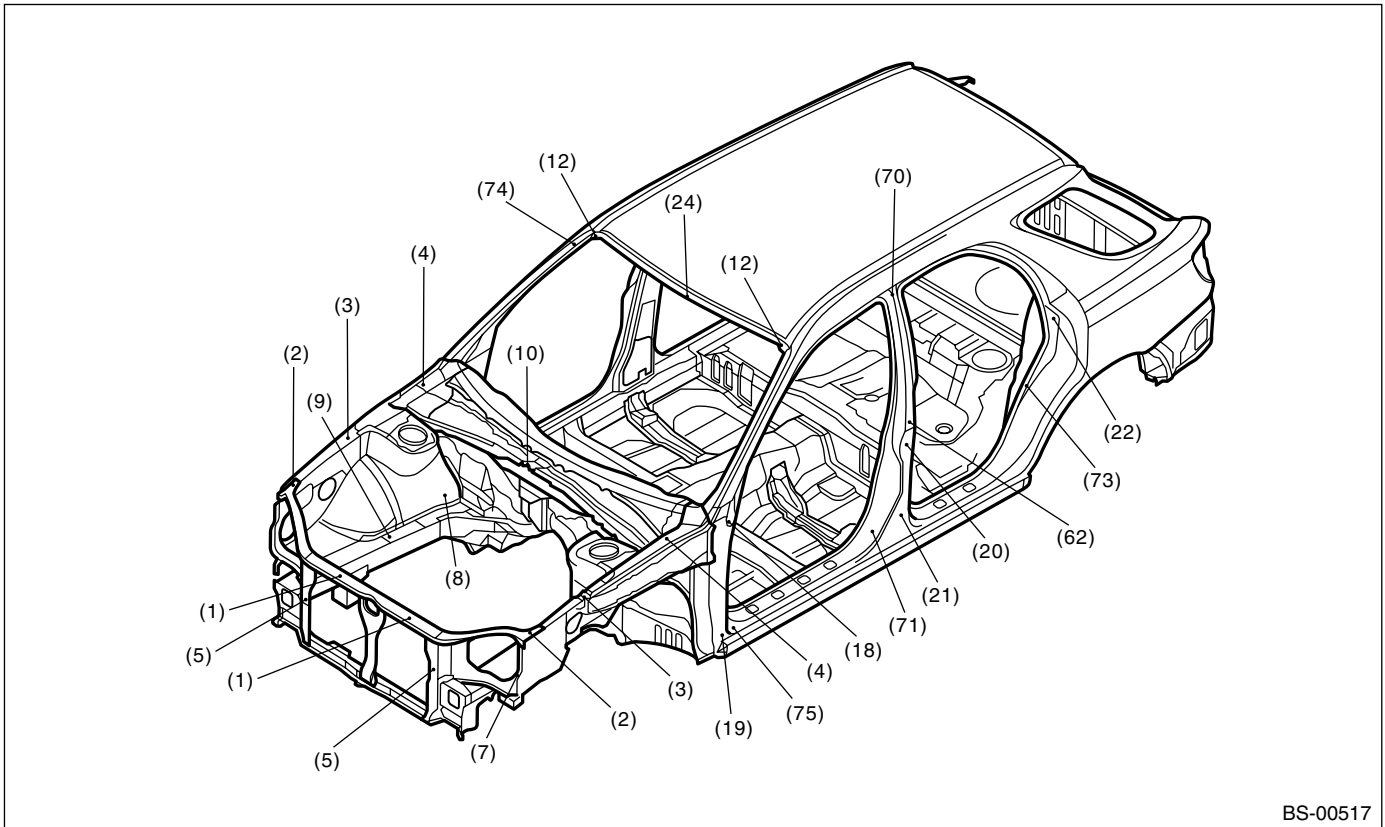
2. Datum Points

A: LOCATION

NOTE:

- Datum points are specified for body repair.
- Guide holes, locators, and indents are provided to facilitate panel replacement and to increase alignment accuracy.
- Both right and left reference points are symmetrical.

1. WAGON MODEL/SEDAN MODEL



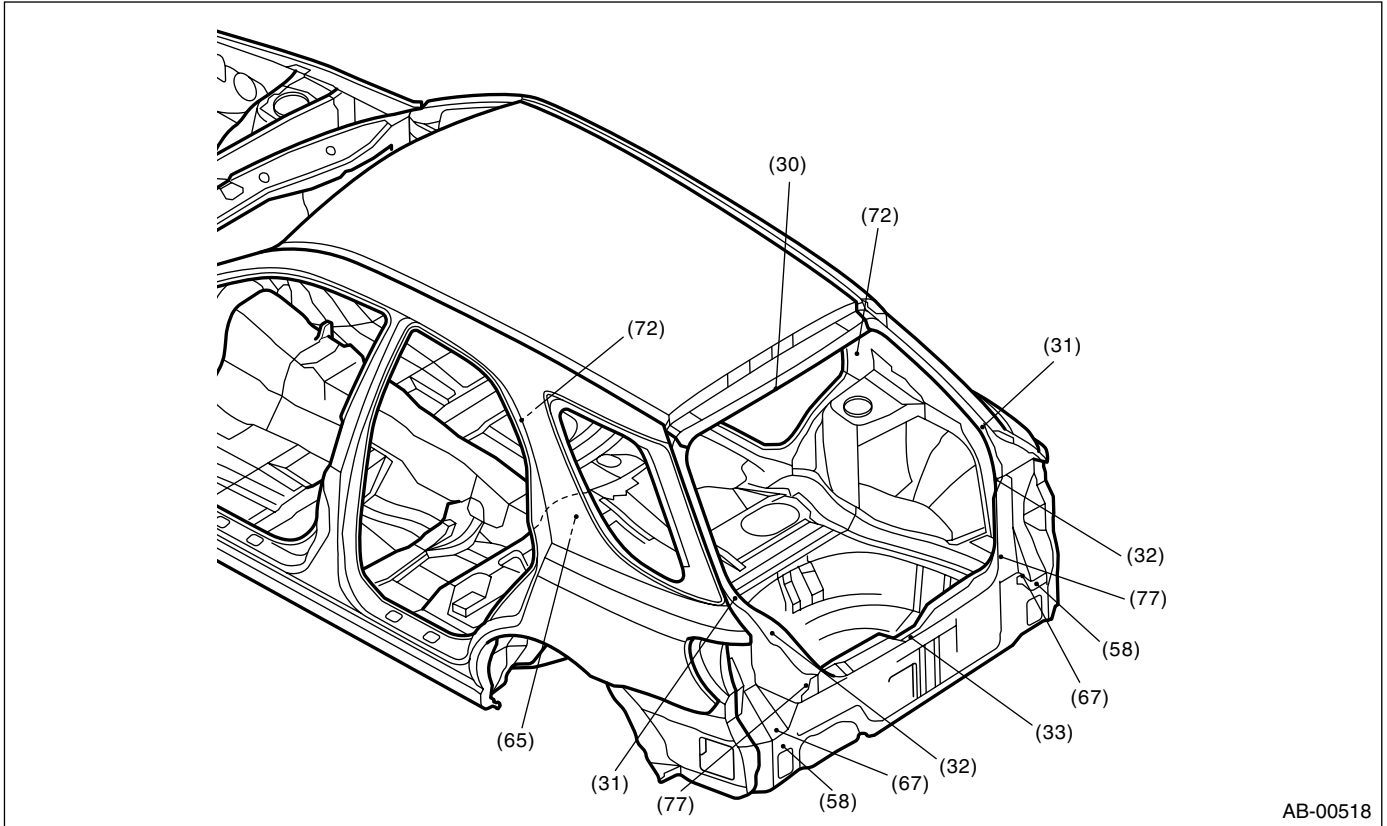
BS-00517

- | | | |
|---|---|--|
| (1) Radiator attaching hole 12 mm (0.47 in) dia. (Symmetrical) | (10) Cowl panel attaching hole 6 mm (0.24 in) dia. (Vehicle center) | (24) Roof panel repair locator hollow |
| (2) Fender attaching hole 7 mm (0.28 in) dia. (Symmetrical) | (12) Front glass attaching hole RH 6.5 mm (0.256 in) dia. LH 6.5 × 10 mm (0.256 × 0.39 in) dia. | (62) Belt anchor attaching hole 11 mm (0.43 in) dia. (Symmetrical) |
| (3) Fender attaching hole 10 mm (0.39 in) dia. (Symmetrical) | (18) Fender attaching hole 12 mm (0.47 in) dia. (Symmetrical) | (70) Trim clip attaching hole 8.5 mm (0.335 in) dia. (Symmetrical) |
| (4) Hood hinge attaching hole 12 mm (0.47 in) dia. (Symmetrical) | (19) Fender attaching hole 12 mm (0.47 in) dia. (Symmetrical) | (71) Harness clip attaching hole 7 mm (0.28 in) dia. (Symmetrical) |
| (5) Radiator panel side gauge hole 20 mm (0.79 in) dia. (Symmetrical) | (20) Outer panel center pillar gauge hole 12 mm (0.47 in) dia. (Symmetrical) | (73) Harness clip attaching hole 7 mm (0.28 in) dia. (Symmetrical) |
| (7) Fender attaching hole 9 mm (0.35 in) dia. (Symmetrical) | (21) Outer panel center pillar gauge hole 12 mm (0.47 in) dia. (Symmetrical) | (74) Trim clip attaching hole 10 mm (0.39 in) dia. (Symmetrical) |
| (8) Gauge hole 12 mm (0.47 in) dia. (Symmetrical) | (22) Weather strip patch attaching hole 5.2 mm (0.205 in) dia. (Symmetrical) | (75) Insulator attaching hole 8 mm (0.31 in) dia. (Symmetrical) |
| (9) Front suspension crossmember attaching hole 12.4 mm (0.488 in) dia. (Symmetrical) | | |

Datum Points

BODY STRUCTURE

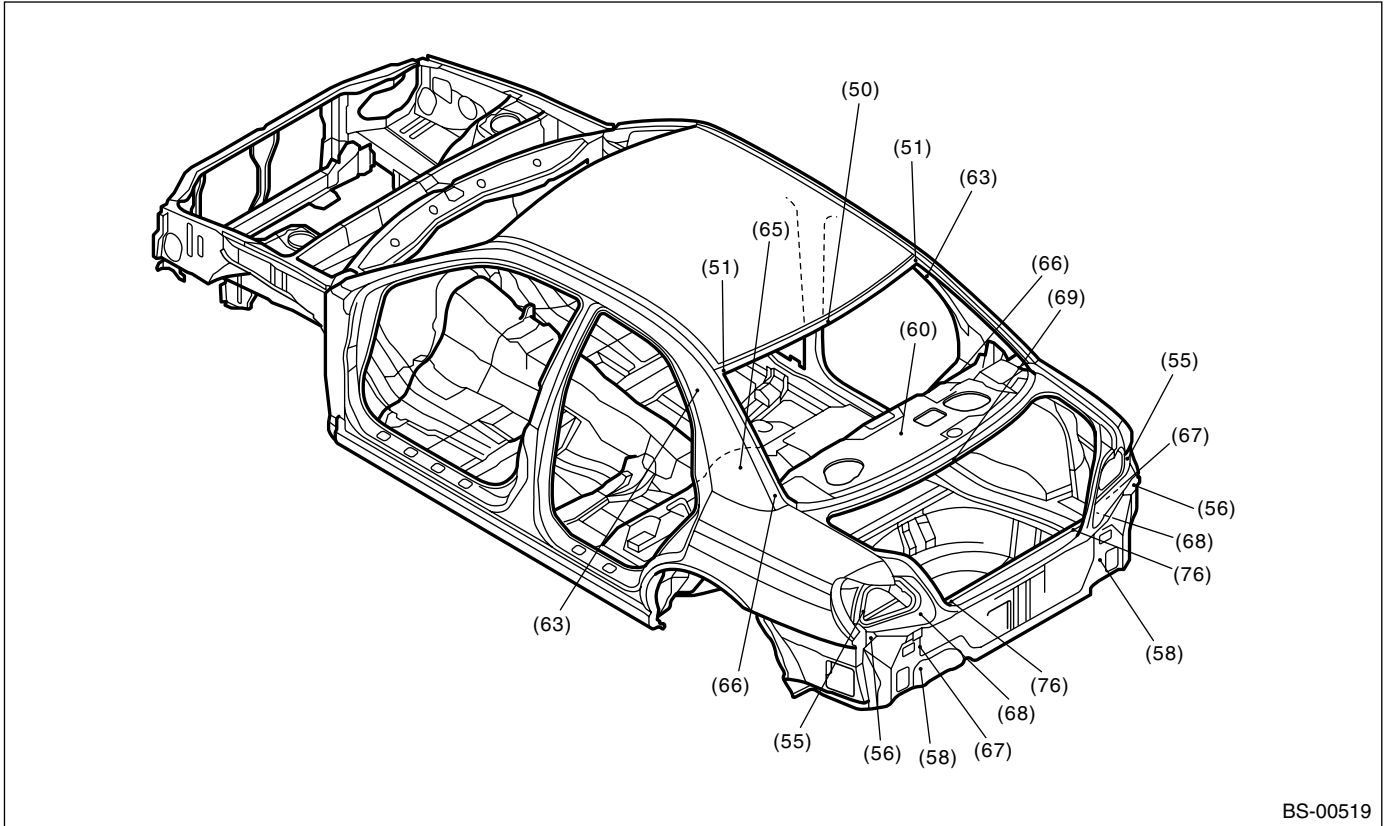
2. WAGON MODEL (REAR)



AB-00518

- | | | |
|---|--|--|
| (30) Child anchor attaching hole 11 mm (0.43 in) dia. | (33) Two striker attaching hole 15 mm (0.59 in) dia. | (67) Gusset floor rear side gauge hole 11.5 mm (0.453 in) dia. (Symmetrical) |
| (31) Washer hose attaching hole LH 7 mm (0.28 in) dia. | (58) Rear bumper plate nut attaching hole 11 mm (0.43 in) dia. (Symmetrical) | (72) Trim upper clip attaching hole 8.5 mm (0.335 in) dia. (Symmetrical) |
| (32) Rear combination light mounting hole 7 mm (0.28 in) dia. (Symmetrical) | (65) Floor mat clip attaching hole 8 mm (0.31 in) dia. | (77) Harness clip attaching hole 7 mm (0.28 in) dia. (Symmetrical) |

3. SEDAN MODEL (REAR)



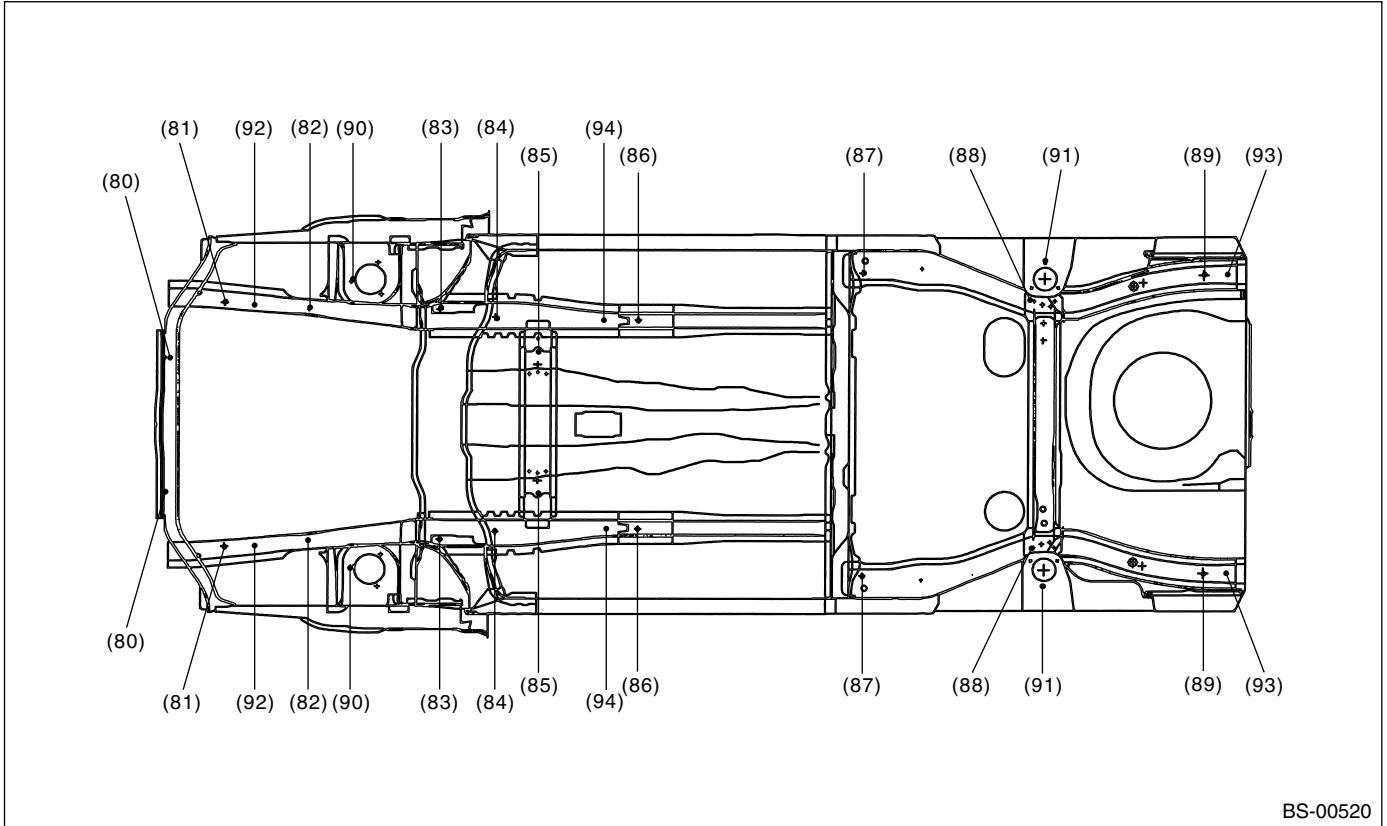
BS-00519

(50) Repair locator hollow (Vehicle center)	(58) Rear bumper attaching hole 11 mm (0.43 in) dia. (Symmetrical)	(67) Gusset floor rear side gauge hole 11.5 mm (0.453 in) dia. (Symmetrical)
(51) Glass attaching hole RH 6.5 mm (0.256 in) dia. LH 6.5 × 10 mm (0.256 × 0.39 in) dia.	(60) Choke coil harness attaching hole 5.4 mm (0.213 in) dia.	(68) Rear skirt inner side gauge hole 10 mm (0.39 in) dia. (Symmetrical)
(55) Rear combination light mounting hole 8 mm (0.31 in) dia. (Symmetrical)	(63) Feeder line fixing hole 7 mm (0.28 in) dia. (Symmetrical)	(69) Rear panel (reinforcement) repair locator hollow (Vehicle center)
(56) Bumper attaching hole 7 mm (0.28 in) dia. (Symmetrical)	(65) Floor mat clip attaching hole 8 mm (0.31 in) dia.	(76) Press location hole 15 mm (0.59 in) dia. (Symmetrical)
	(66) Bulkhead rear gauge hole 10 mm (0.39 in) dia. (Symmetrical)	

Datum Points

BODY STRUCTURE

4. UNDERBODY

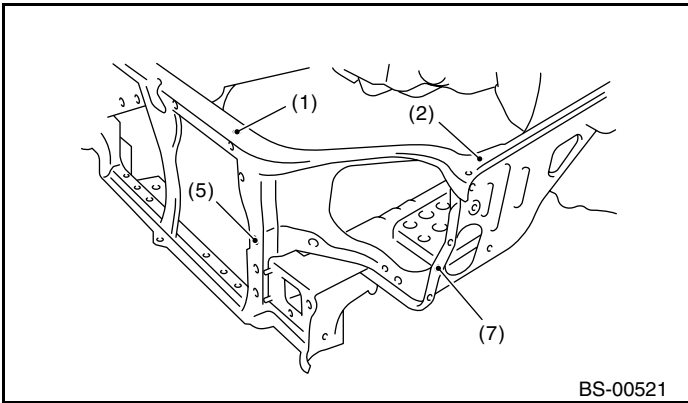


BS-00520

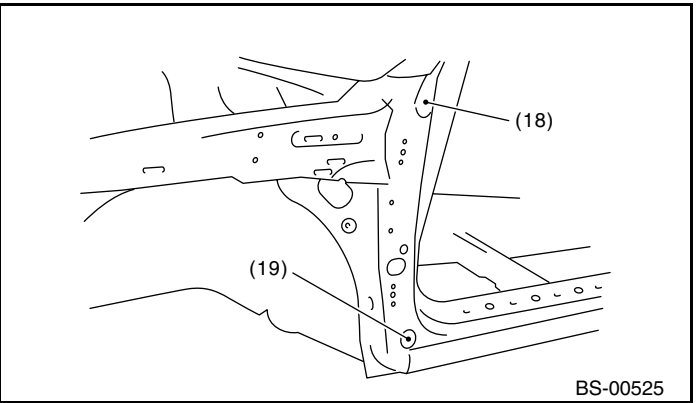
- | | | |
|---|--|---|
| (80) Radiator lower frame gauge hole 12 mm (0.47 in) dia. (Symmetrical) | (85) Transmission mount attaching hole 14 mm (0.55 in) dia. | (90) Strut mount attaching hole 9.5 mm (0.374 in) dia. (Symmetrical) |
| (81) Side frame gauge hole 20 mm (0.79 in) dia. (Symmetrical) | (86) Side frame gauge hole 18 mm (0.71 in) dia. (Symmetrical) | (91) Strut mount attaching hole 10 mm (0.39 in) dia. (Symmetrical) |
| (82) Front crossmember attaching hole 12.4 mm (0.488 in) dia. (Symmetrical) | (87) Rear differential attaching hole 16 mm (0.63 in) dia. (Symmetrical) | (92) Sub frame attaching hole 16 mm (0.63 in) dia. (Symmetrical) |
| (83) Suspension attaching hole 17 mm (0.67 in) dia. (Symmetrical) | (88) Rear suspension attaching hole 16 mm (0.63 in) dia. (Symmetrical) | (93) Bumper beam attaching hole RH 15 mm (0.59 in) dia. LH 19 x 15 mm (0.75 x 0.59 in) dia. |
| (84) Side frame gauge hole 20 mm (0.79 in) dia. (Symmetrical) | (89) Rear side frame gauge hole 15 mm (0.59 in) dia. (Symmetrical) | (94) Side frame gauge hole 15 mm (0.59 in) dia. (Symmetrical) |

Datum Points

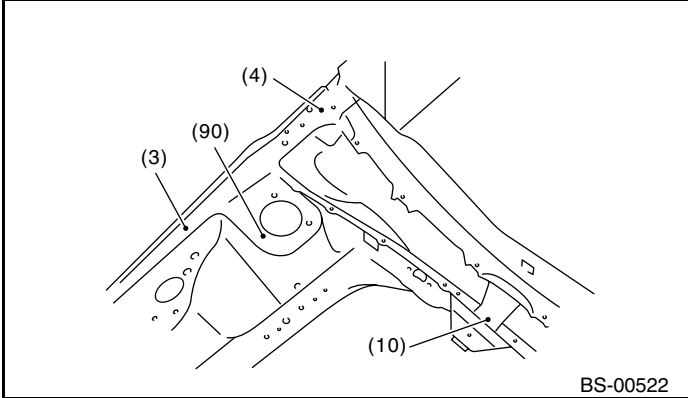
BODY STRUCTURE



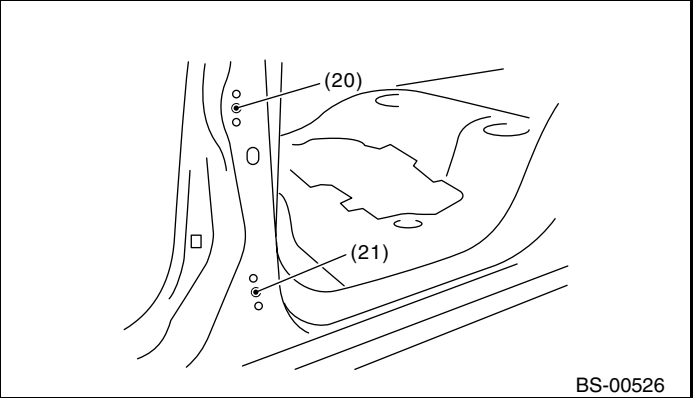
BS-00521



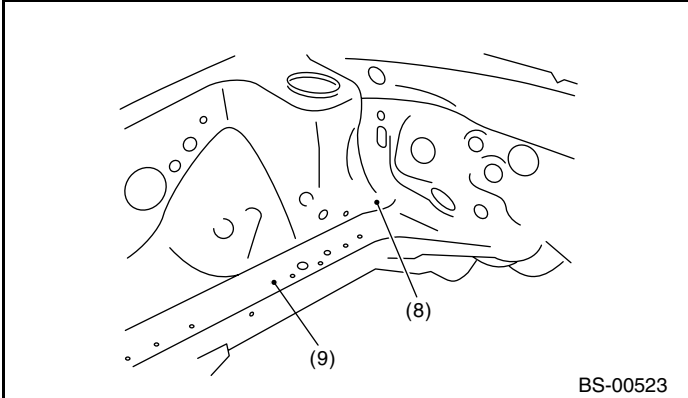
BS-00525



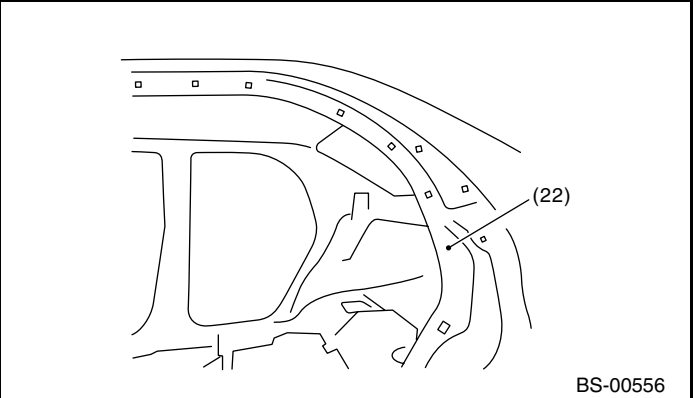
BS-00522



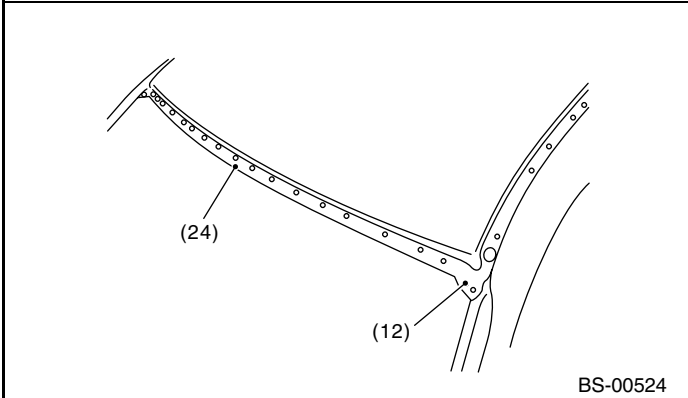
BS-00526



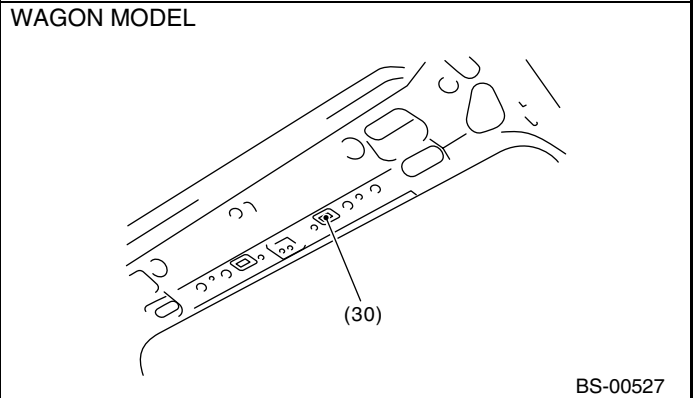
BS-00523



BS-00556



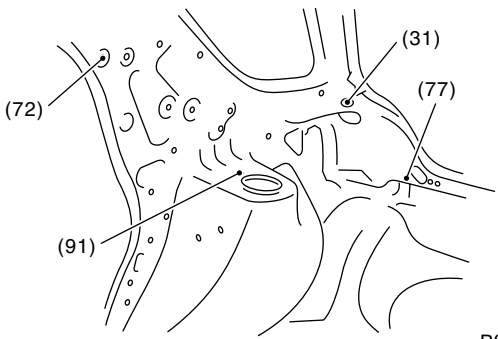
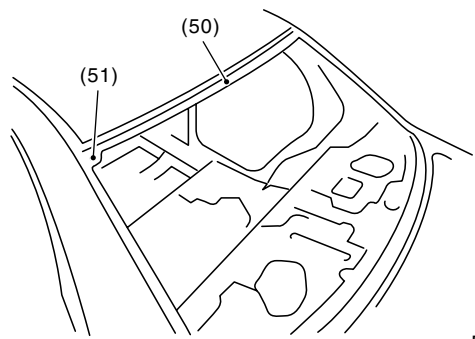
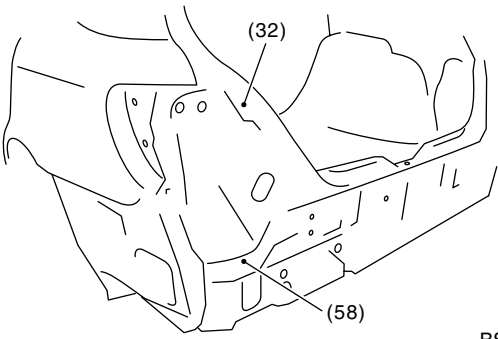
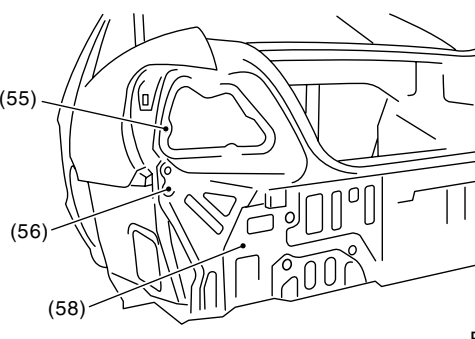
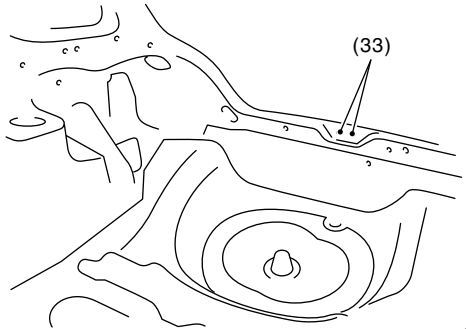
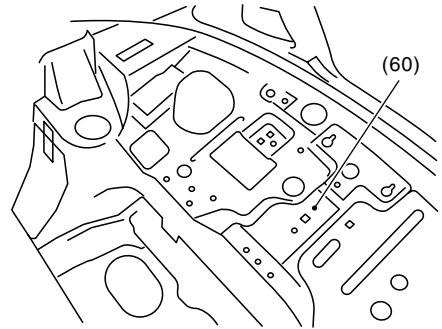
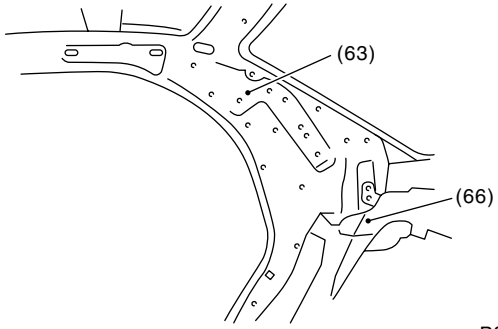
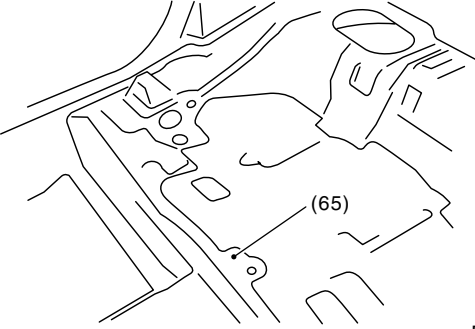
BS-00524



BS-00527

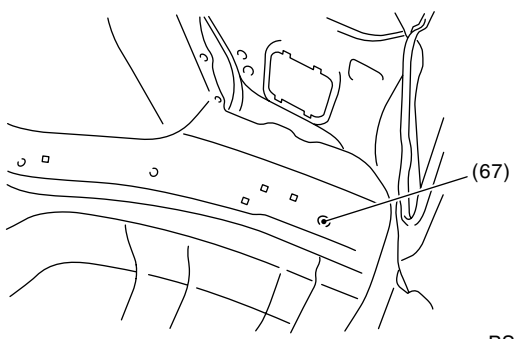
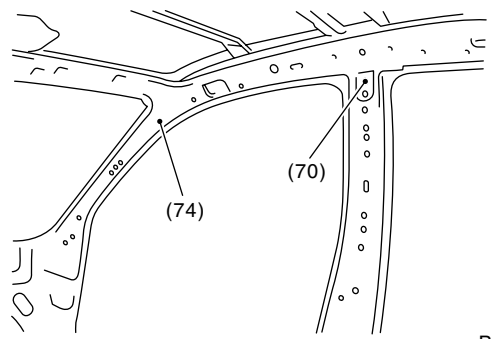
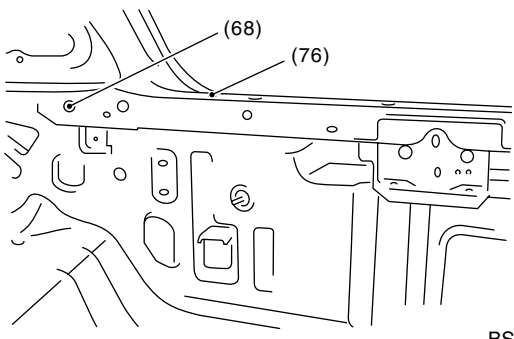
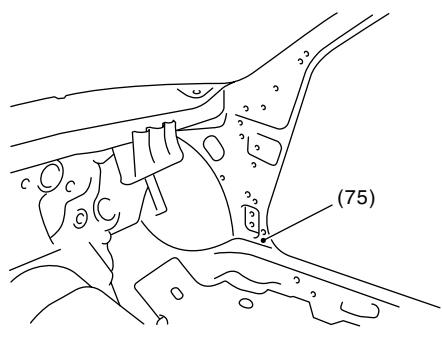
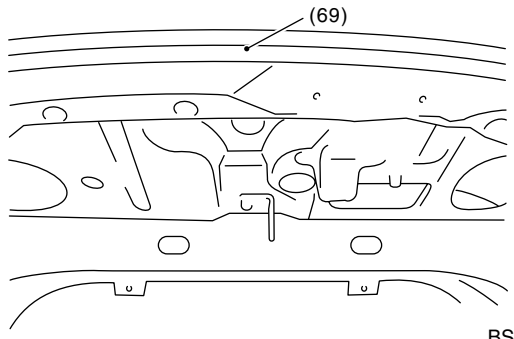
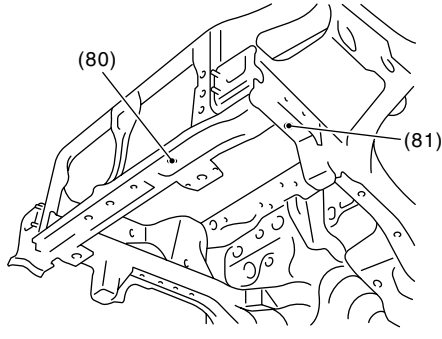
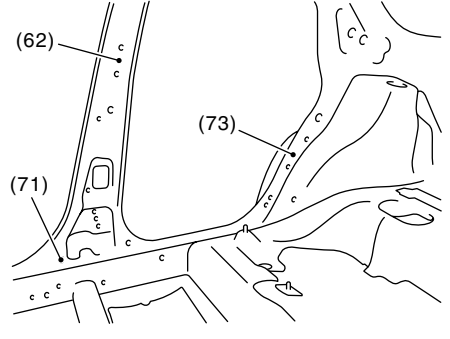
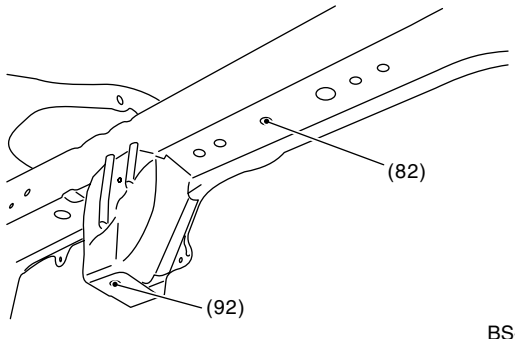
Datum Points

BODY STRUCTURE

<p>WAGON MODEL</p>  <p>BS-00528</p>	<p>SEDAN MODEL</p>  <p>BS-00532</p>
<p>WAGON MODEL</p>  <p>BS-00529</p>	<p>SEDAN MODEL</p>  <p>BS-00533</p>
<p>WAGON MODEL</p>  <p>BS-00530</p>	<p>SEDAN MODEL</p>  <p>BS-00534</p>
<p>SEDAN MODEL</p>  <p>BS-00531</p>	<p>SEDAN MODEL</p>  <p>BS-00535</p>

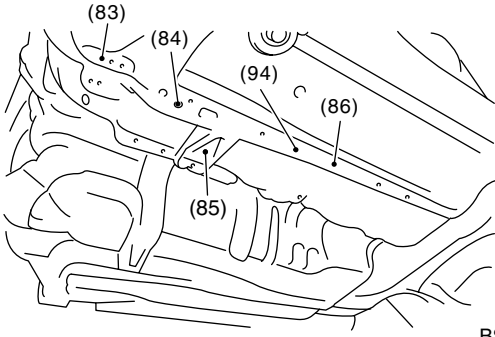
Datum Points

BODY STRUCTURE

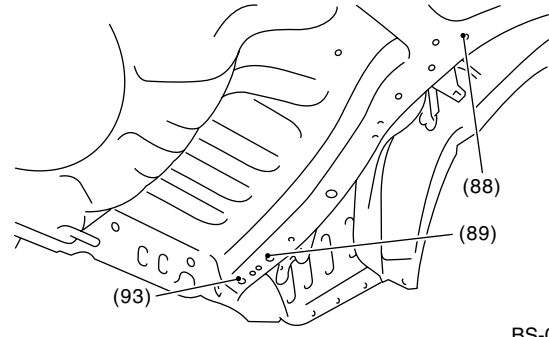
 <p>(67)</p> <p>BS-00536</p>	 <p>(74)</p> <p>(70)</p> <p>BS-00540</p>
<p>SEDAN MODEL</p>  <p>(68)</p> <p>(76)</p> <p>BS-00537</p>	 <p>(75)</p> <p>BS-00541</p>
<p>SEDAN MODEL</p>  <p>(69)</p> <p>BS-00538</p>	 <p>(80)</p> <p>(81)</p> <p>BS-00542</p>
 <p>(62)</p> <p>(71)</p> <p>(73)</p> <p>BS-00539</p>	 <p>(82)</p> <p>(92)</p> <p>BS-00543</p>

Datum Points

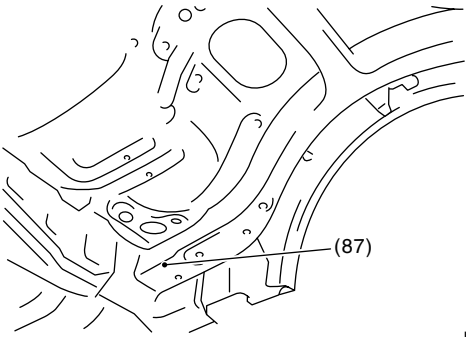
BODY STRUCTURE



BS-00544



BS-00546



BS-00545

SUBARU.

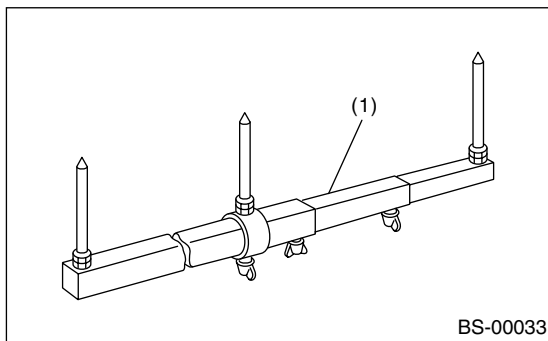
3. Datum Dimensions

A: MEASUREMENT

Refer to LOCATION for details on measurement points. <Ref. to BS-3, LOCATION.>

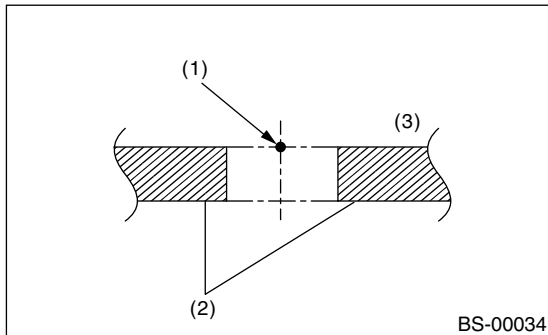
NOTE:

- Using a tram tracking gauge, measure all the dimensions.
- When using a tape measure, carefully measure dimensions without letting the tape measure sag or twist.
- Measure the linear dimensions between cores of holes.
- Suffixes “RH” and “LH” indicate right-hand and left-hand.



(1) Tram tracking gauge

- Measure at the center of the circle around the outside of the body panel.

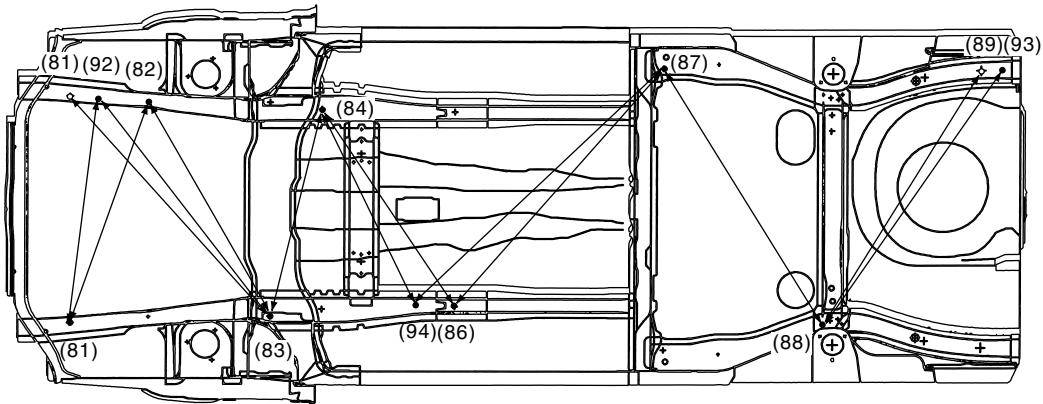
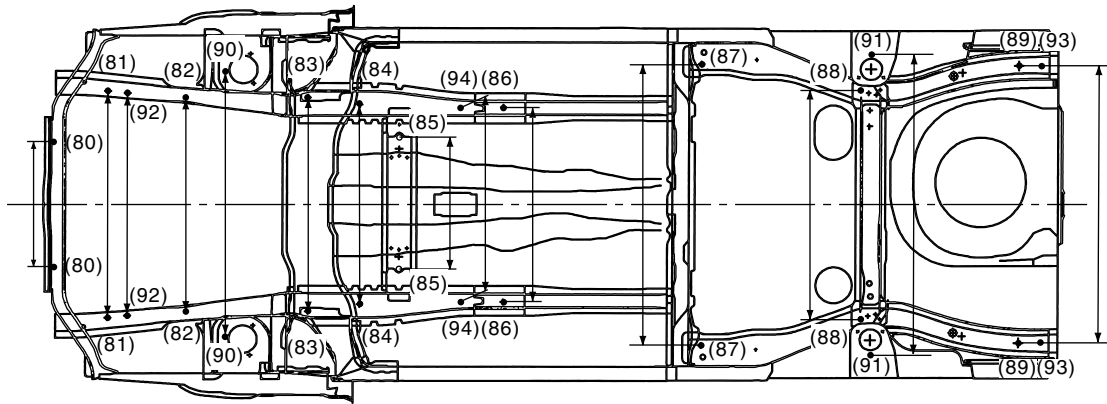
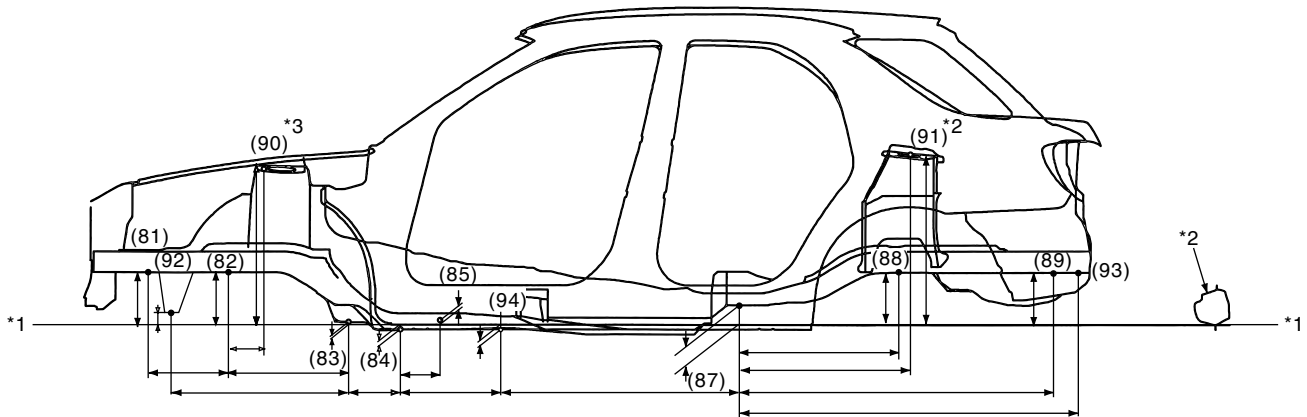


- (1) Datum point
- (2) Body panel
- (3) Outside

Datum Dimensions

BODY STRUCTURE

1. CENTER STRUCTURE



BS-00633

- *1: Standard line
- *2: Side sill
- *3: Upper surface

Datum Dimensions

BODY STRUCTURE

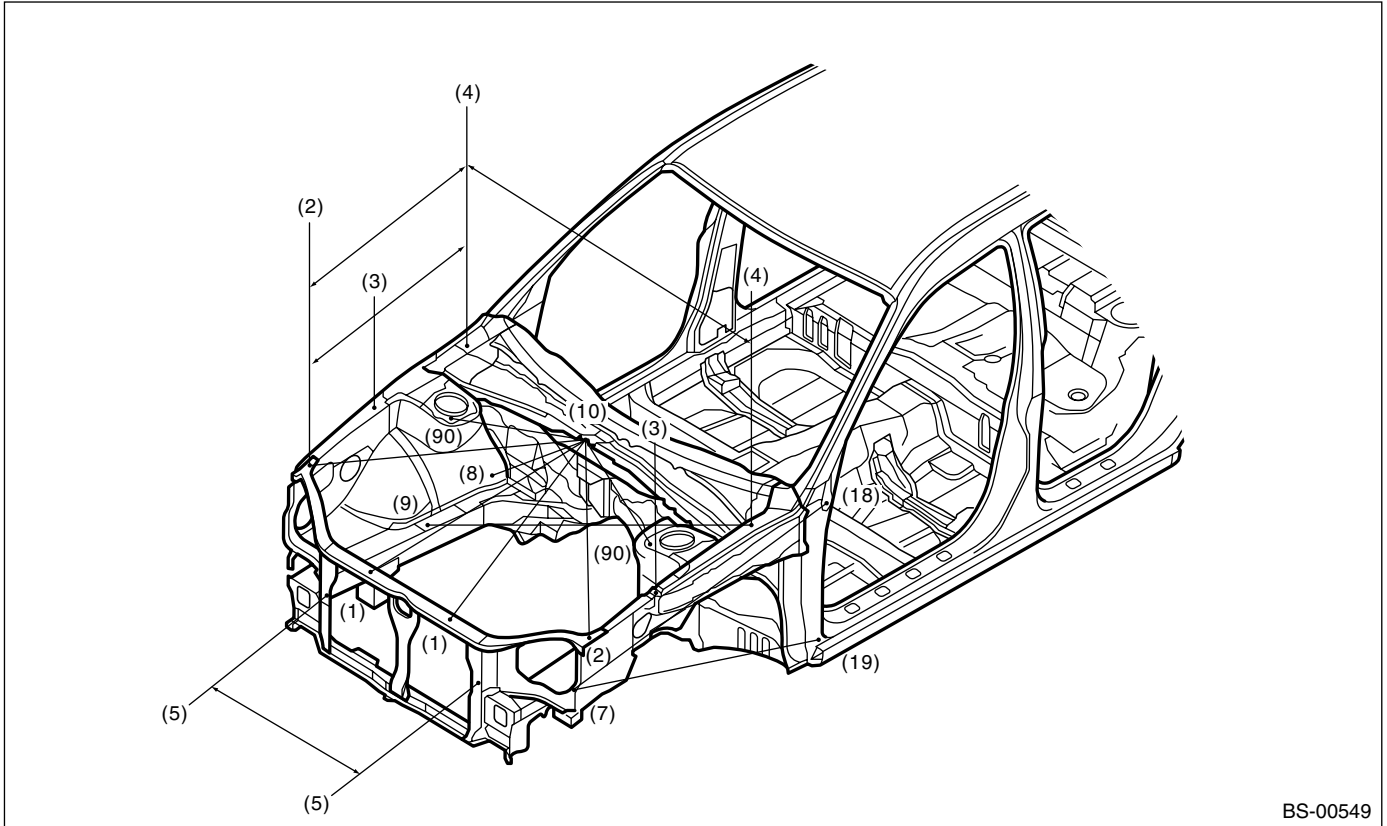
Unit: mm (in)

Point to point	Dimension	Point to point	Dimension
(81) from standard line	206 (8.11)	(92) RH to (92) LH	906 (35.67)
(92) from standard line	77 (3.03)	(82) RH to (82) LH	860 (33.86)
(82) from standard line	206 (8.11)	(90) RH to (90) LH	1,065 (41.93)
(90) from standard line	620 (24.41)	(83) RH to (83) LH	856 (33.70)
(83) from standard line	8 (0.31)	(84) RH to (84) LH	800 (31.50)
(84) from standard line	20 (0.79)	(85) RH to (85) LH	529 (20.83)
(85) from standard line	13 (0.51)	(94) RH to (94) LH	776 (30.55)
(94) from standard line	12 (0.47)	(86) RH to (86) LH	780 (30.71)
(87) from standard line	76 (2.99)	(87) RH to (87) LH	1,128 (44.41)
(88) from standard line	206 (8.11)	(88) RH to (88) LH	920 (36.22)
(91) from standard line	674 (26.54)	(91) RH to (91) LH	1,205 (47.44)
(89) from standard line	205 (8.07)	(89) RH to (89) LH	1,110 (43.70)
(81) to (82)	317 (12.48)	(93) RH to (93) LH	1,110 (43.70)
(82) to (90)	157 (6.18)	(81) LH to (92) RH	924 (36.38)
(82) to (83)	485 (19.09)	(81) LH to (82) RH	940 (37.01)
(92) to (83)	694 (27.32)	(81) RH to (83) LH	1,209 (47.60)
(83) to (84)	206 (8.11)	(92) RH to (83) LH	1,124 (44.25)
(84) to (85)	159 (6.26)	(82) RH to (83) LH	1,005 (39.57)
(84) to (94)	380 (14.96)	(83) LH to (84) RH	854 (33.62)
(94) to (87)	982 (38.66)	(84) RH to (94) LH	875 (34.45)
(87) to (88)	633 (24.92)	(84) RH to (86) LH	951 (37.44)
(87) to (91)	673 (26.50)	(94) LH to (87) RH	1,371 (53.98)
(87) to (89)	1,258 (49.53)	(86) LH to (87) RH	1,269 (49.96)
(87) to (93)	1,358 (53.46)	(87) RH to (88) LH	1,211 (47.68)
(80) RH to (80) LH	500 (19.69)	(88) LH to (89) RH	1,192 (46.93)
(81) RH to (81) LH	910 (35.83)	(88) LH to (93) RH	1,247 (49.09)

Datum Dimensions

BODY STRUCTURE

2. WAGON MODEL/SEDAN MODEL (FRONT STRUCTURE)



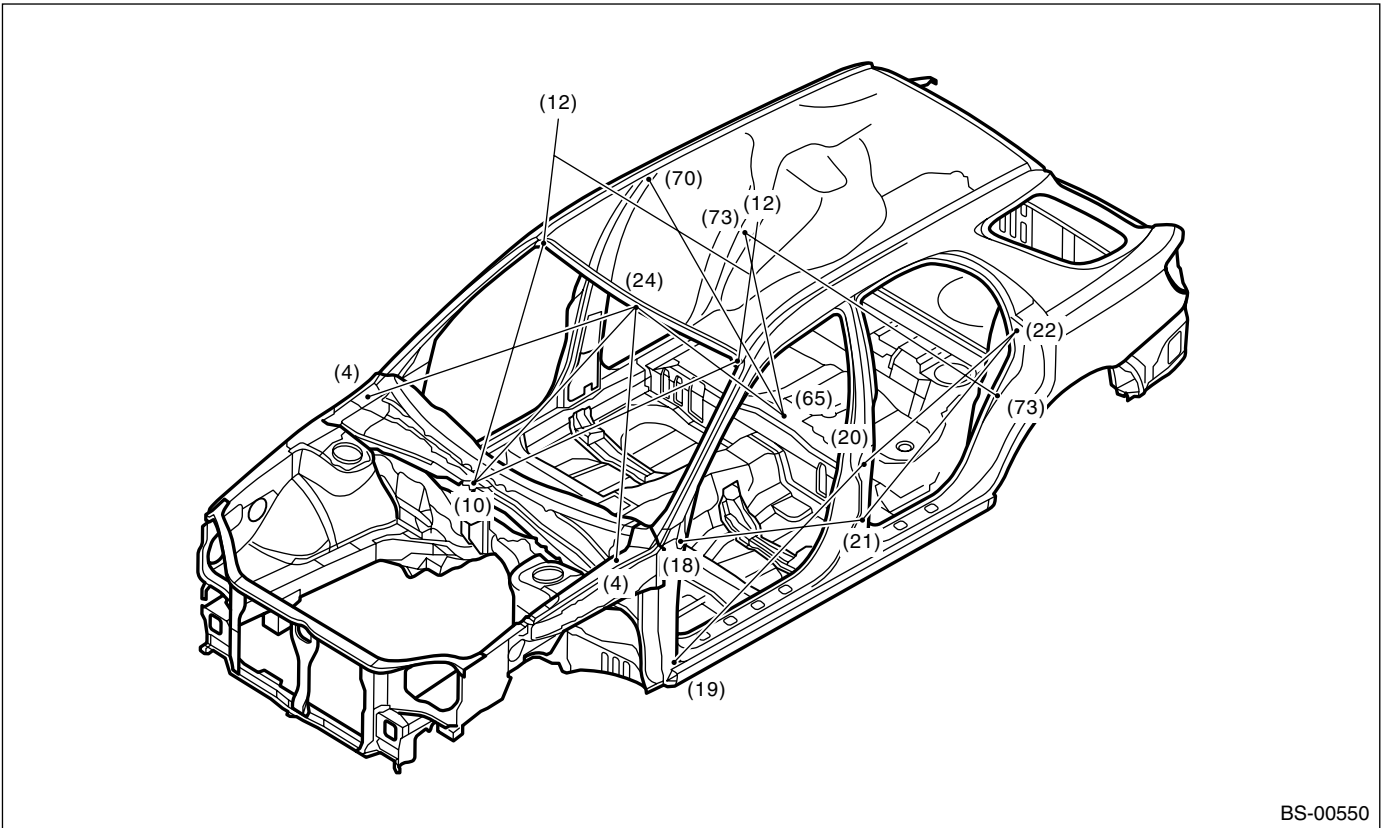
BS-00549

Unit: mm (in)

Point to point	Dimension	Point to point	Dimension
(10) to (1) RH	912 (35.91)	(2) RH to (2) LH	1,341 (52.80)
(10) to (1) LH	912 (35.91)	(5) RH to (5) LH	720 (28.35)
(10) to (90) RH	566 (22.28)	(7) RH to (18) RH	1,107 (43.58)
(10) to (90) LH	566 (22.28)	(7) LH to (18) LH	1,107 (43.58)
(10) to (8) RH	581 (22.87)	(7) RH to (19) RH	1,105 (43.50)
(10) to (8) LH	581 (22.87)	(7) LH to (19) LH	1,105 (43.50)
(10) to (2) RH	948 (37.32)	(4) RH to (2) LH	1,583 (62.32)
(10) to (2) LH	948 (37.32)	(4) LH to (2) RH	1,583 (62.32)
(4) RH to (2) RH	779 (30.67)	(3) RH to (3) LH	1,396 (54.96)
(4) LH to (2) LH	779 (30.67)	(3) RH to (4) LH	1,470 (57.87)
(4) RH to (3) RH	430 (16.93)	(3) LH to (4) RH	1,470 (57.87)
(4) LH to (3) LH	430 (16.93)	(2) RH to (3) LH	1,412 (55.59)
(90) RH to (90) LH	1,065 (41.93)	(2) LH to (3) RH	1,412 (55.59)
(8) RH to (8) LH	894 (35.20)	(9) RH to (9) LH	860 (33.86)
(8) RH to (4) LH	1,210 (47.64)	(9) RH to (8) LH	931 (36.65)
(8) LH to (4) RH	1,210 (47.64)	(9) LH to (8) RH	931 (36.65)
(3) RH to (2) RH	350 (13.78)	(9) RH to (4) LH	1,280 (50.39)
(3) LH to (2) LH	350 (13.78)	(9) LH to (4) RH	1,280 (50.39)
(4) RH to (4) LH	1,417 (55.79)	—	—

Datum Dimensions

BODY STRUCTURE



BS-00550

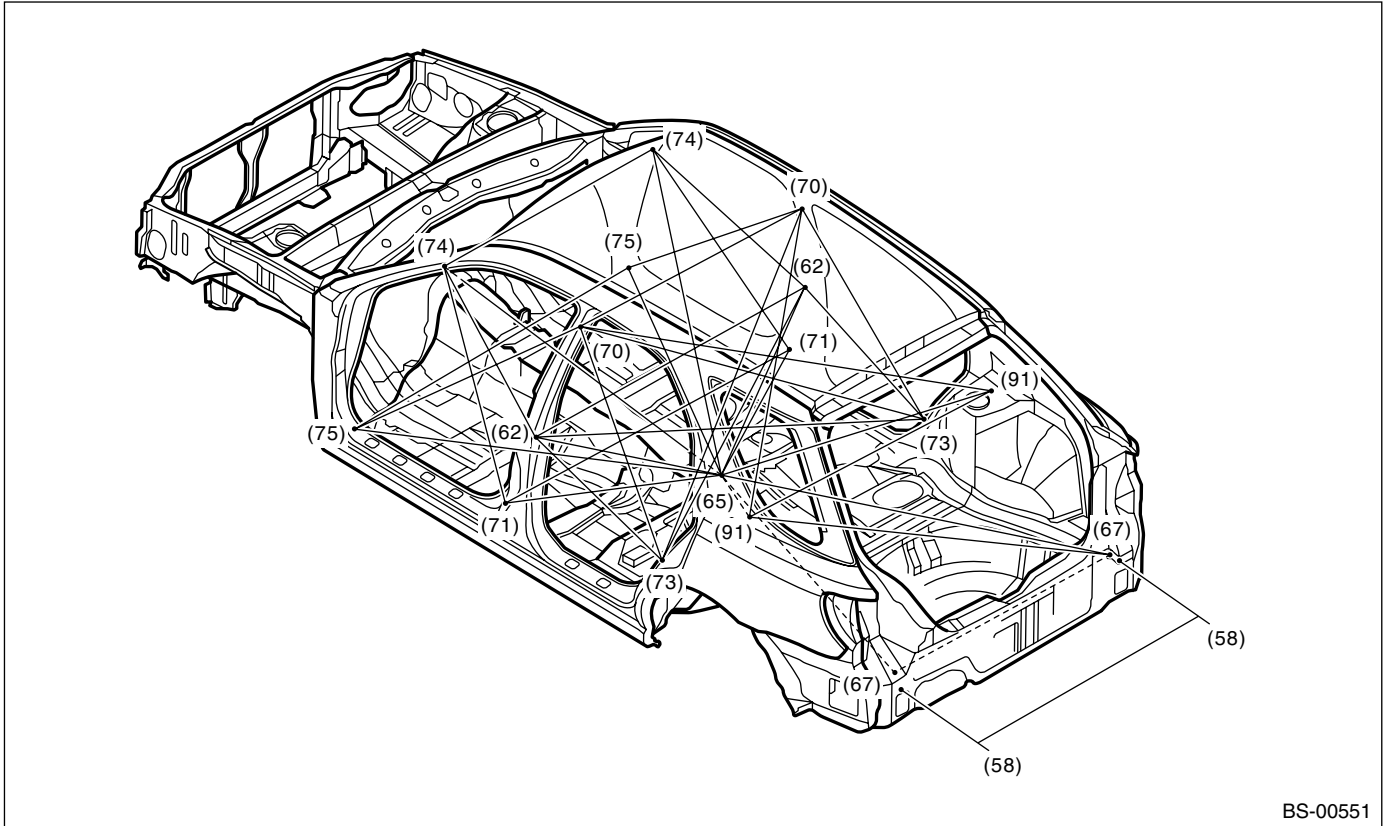
Unit: mm (in)

Point to point	Dimension	Point to point	Dimension
(4) RH to (24)	1,127 (44.37) Wagon model	(19) LH to (20) LH	1,089 (42.87)
(4) LH to (24)	1,110 (43.70) Sedan model	(20) RH to (22) RH	869 (34.21)
(10) to (24)	957 (37.68) Wagon model	(20) LH to (22) LH	869 (34.21)
(10) to (24)	935 (36.81) Sedan model	(21) RH to (22) RH	985 (38.78)
(10) to (12) RH	1,122 (44.17) Wagon model	(21) LH to (22) LH	985 (38.78)
(10) to (12) RH	1,106 (43.54) Sedan model	(24) to (65)	1,232 (48.50) Wagon model
(10) to (12) LH	1,122 (44.17) Wagon model	(24) to (65)	1,237 (48.70) Sedan model
(10) to (12) LH	1,106 (43.17) Sedan model	(65) to (70) RH	1,067 (42.01)
(12) RH to (12) LH	1,029 (40.51) Wagon model	(65) to (70) LH	1,067 (42.01)
(12) RH to (12) LH	1,042 (41.02) Sedan model	(65) to (73) RH	830 (32.68)
(18) RH to (21) RH	1,049 (41.30)	(65) to (73) LH	830 (32.68)
(18) LH to (21) LH	1,049 (41.30)	(73) RH to (73) LH	1,394 (54.88)
(19) RH to (20) RH	1,089 (42.87)	—	—

Datum Dimensions

BODY STRUCTURE

3. WAGON MODEL/SEDAN MODEL (REAR STRUCTURE)

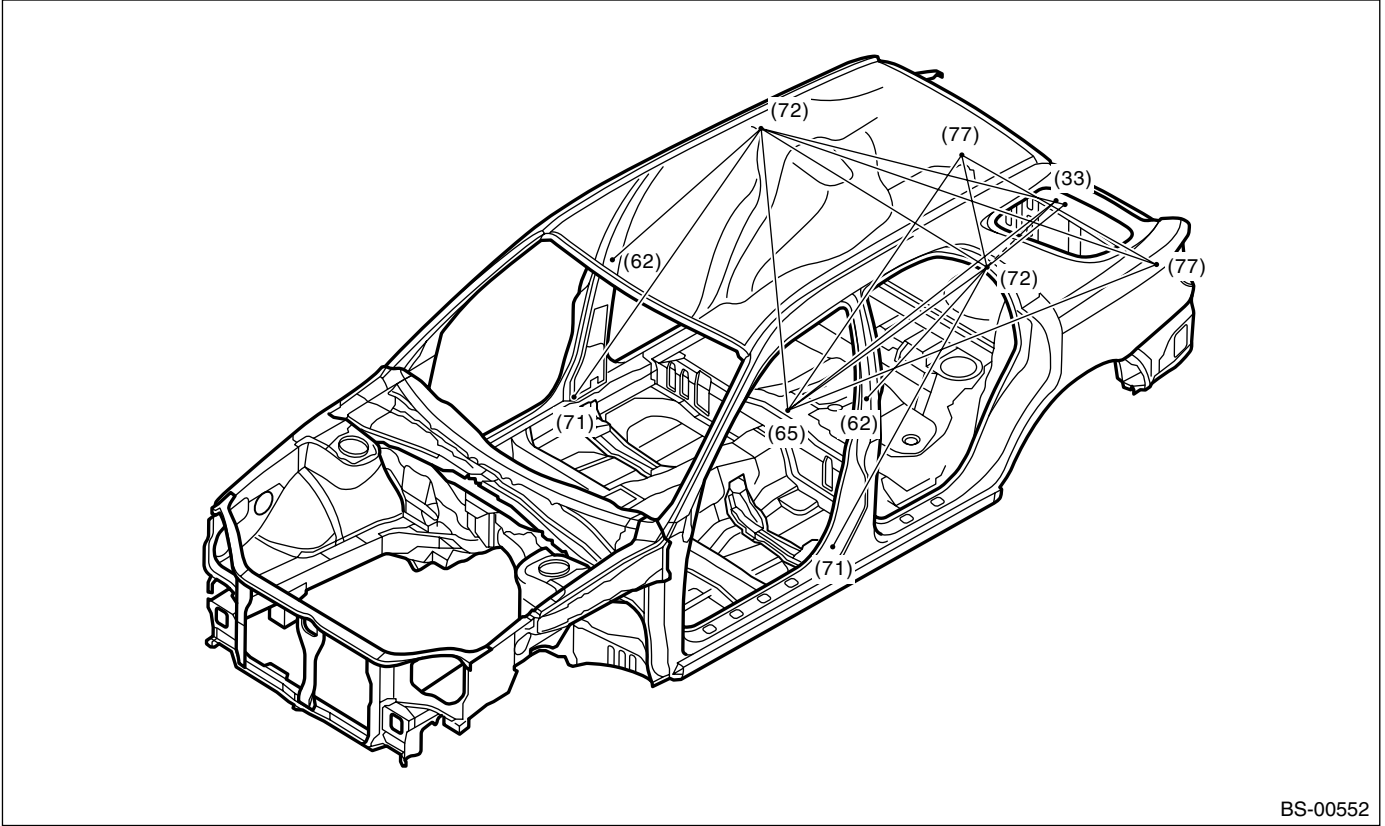


BS-00551

Unit: mm (in)

Point to point	Dimension	Point to point	Dimension
(58) RH to (58) LH	1,128 (44.41)	(67) RH to (67) LH	1,110 (43.70)
(62) RH to (62) LH	1,332 (52.44)	(67) RH to (91) LH	1,381 (54.37)
(62) RH to (65)	915 (36.02)	(67) LH to (91) RH	1,381 (54.37)
(62) LH to (65)	915 (36.02)	(70) RH to (70) LH	1,060 (41.73)
(62) RH to (73) RH	762 (30.00)	(70) RH to (73) RH	948 (37.32)
(62) LH to (73) LH	762 (30.00)	(70) LH to (73) LH	948 (37.32)
(62) RH to (73) LH	1,561 (61.46)	(70) RH to (73) LH	1,542 (60.71)
(62) LH to (73) RH	1,561 (61.46)	(70) LH to (73) RH	1,542 (60.71)
(62) RH to (74) RH	592 (23.31) Wagon model	(70) RH to (75) RH	1,443 (56.81)
(62) LH to (74) LH	603 (23.74) Sedan model	(70) LH to (75) LH	1,443 (56.81)
(65) to (67) RH	1,501 (59.09)	(70) RH to (91) LH	1,532 (60.32)
(65) to (67) LH	1,501 (59.09)	(70) LH to (91) RH	1,532 (60.32)
(65) to (71) RH	823 (32.40)	(71) RH to (71) LH	1,361 (53.58)
(65) to (71) LH	823 (32.40)	(71) RH to (74) RH	954 (37.56) Wagon model
(65) to (74) RH	1,275 (50.20) Wagon model	(71) LH to (74) LH	949 (37.36) Sedan model
(65) to (74) LH	1,282 (50.47) Sedan model	(74) RH to (74) LH	1,135 (44.69) Wagon model
(65) to (75) RH	1,450 (57.09)	(74) RH to (74) LH	1,147 (45.16) Sedan model
(65) to (75) LH	1,450 (57.09)	(75) RH to (75) LH	1,399 (55.08)
(65) to (91) RH	1,064 (41.89)	(91) RH to (91) LH	1,205 (47.44)
(65) to (91) LH	1,064 (41.89)	—	—

4. WAGON MODEL (FRONT STRUCTURE)



BS-00552

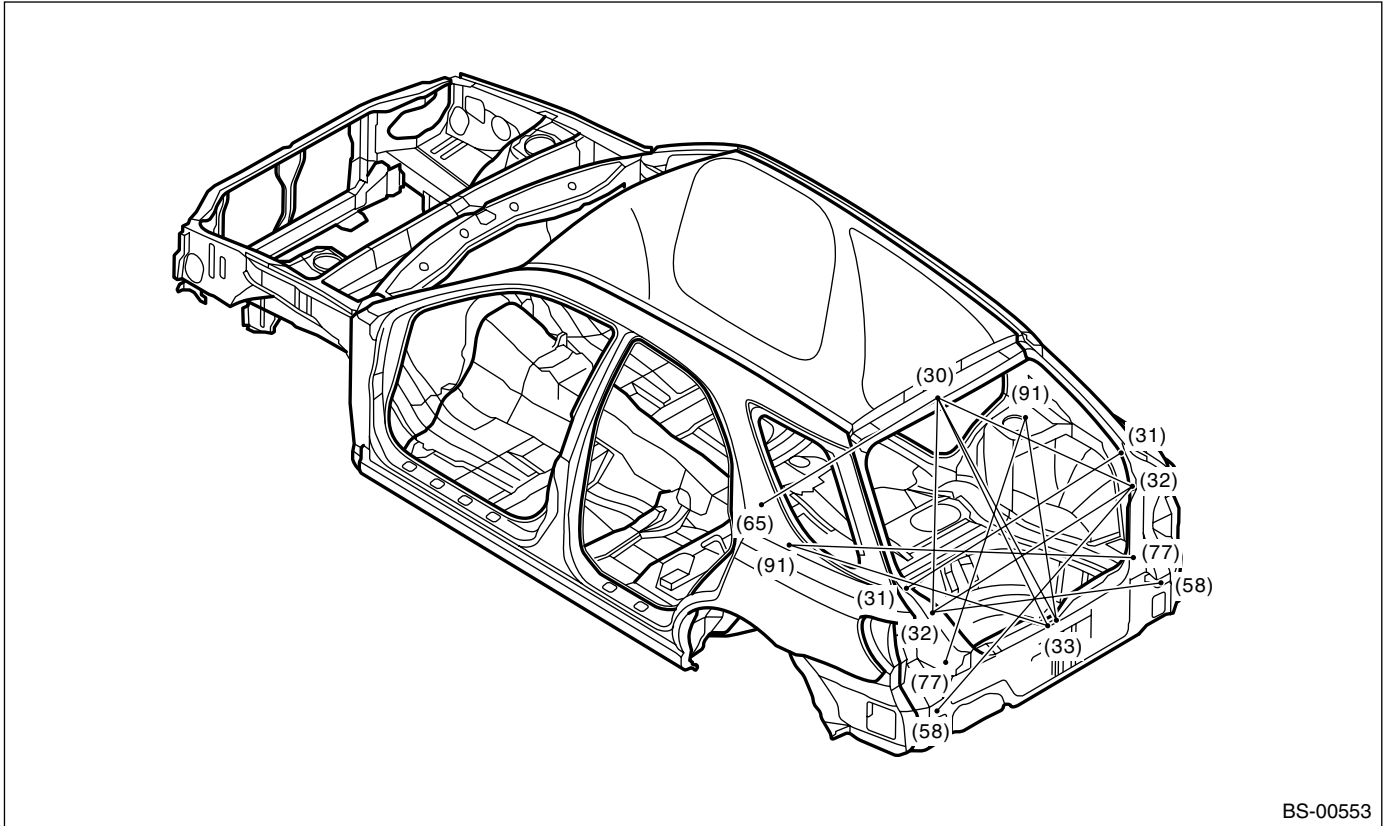
Unit: mm (in)

Point to point	Dimension	Point to point	Dimension
(33) RH to (65)	1,534 (60.39)	(65) to (77) RH	1,538 (60.55)
(33) LH to (65)	1,534 (60.39)	(65) to (77) LH	1,538 (60.55)
(33) RH to (72) LH	1,344 (52.91)	(71) RH to (72) RH	1,223 (48.15)
(33) LH to (72) RH	1,344 (52.91)	(71) LH to (72) LH	1,223 (48.15)
(62) RH to (72) RH	732 (28.82)	(72) RH to (72) LH	1,226 (48.27)
(62) LH to (72) LH	732 (28.82)	(72) RH to (77) LH	1,544 (60.79)
(65) to (72) RH	1,076 (42.36)	(72) LH to (77) RH	1,544 (60.79)
(65) to (72) LH	1,076 (42.36)	(77) RH to (77) LH	898 (35.35)

Datum Dimensions

BODY STRUCTURE

5. WAGON MODEL (REAR STRUCTURE)

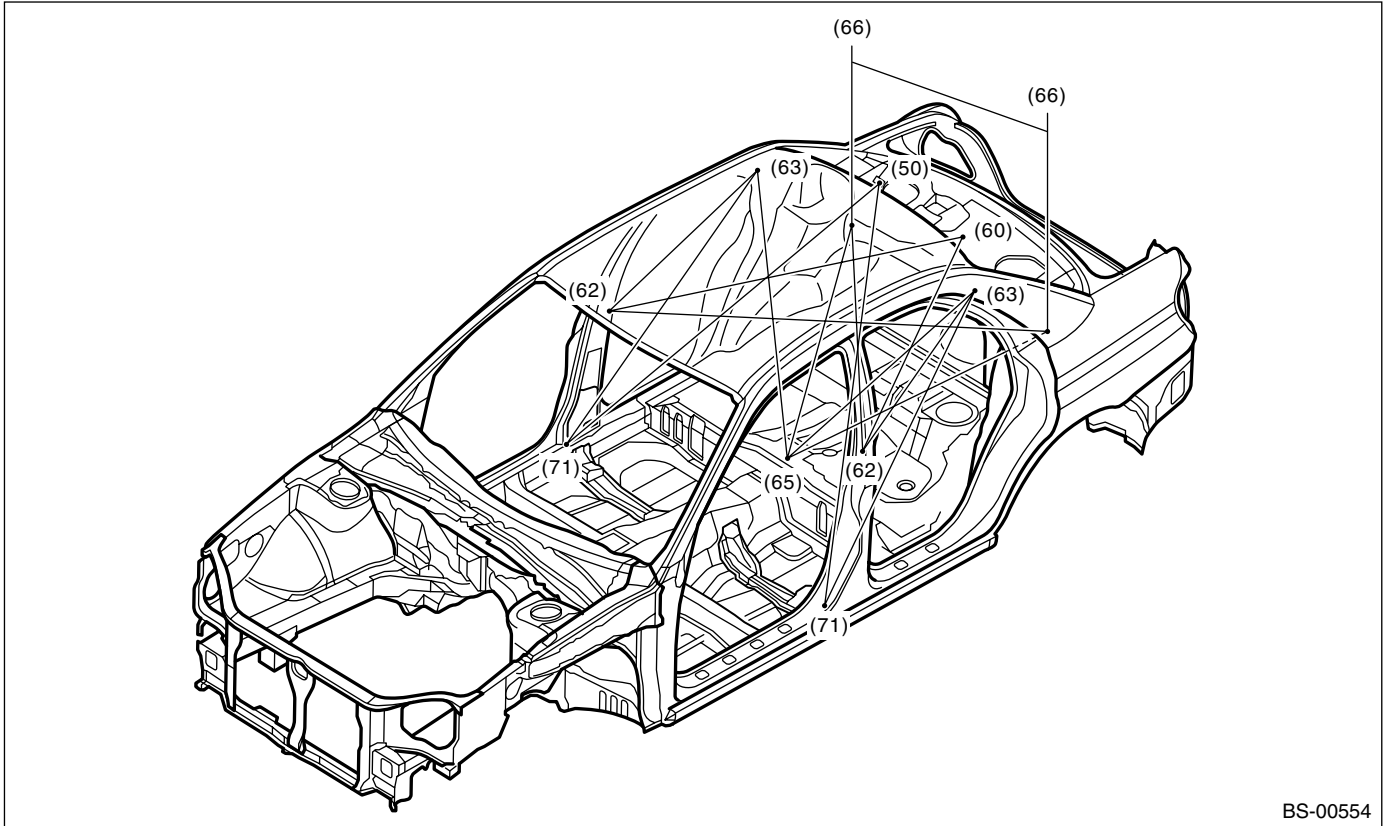


BS-00553

Unit: mm (in)

Point to point	Dimension	Point to point	Dimension
(30) to (32) RH	850 (33.46)	(32) RH to (58) LH	1,139 (44.84)
(30) to (32) LH	850 (33.46)	(32) LH to (58) RH	1,139 (44.84)
(30) to (33) RH	904 (35.59)	(33) RH to (91) LH	993 (39.09)
(30) to (33) LH	904 (35.59)	(33) LH to (91) LH	993 (39.09)
(30) to (65)	1,292 (50.87)	(77) RH to (91) LH	1,289 (50.75)
(31) RH to (31) LH	1,212 (47.72)	(77) LH to (91) RH	1,289 (50.75)
(32) RH to (32) LH	1,038 (40.87)	—	—

6. SEDAN MODEL (FRONT STRUCTURE)



BS-00554

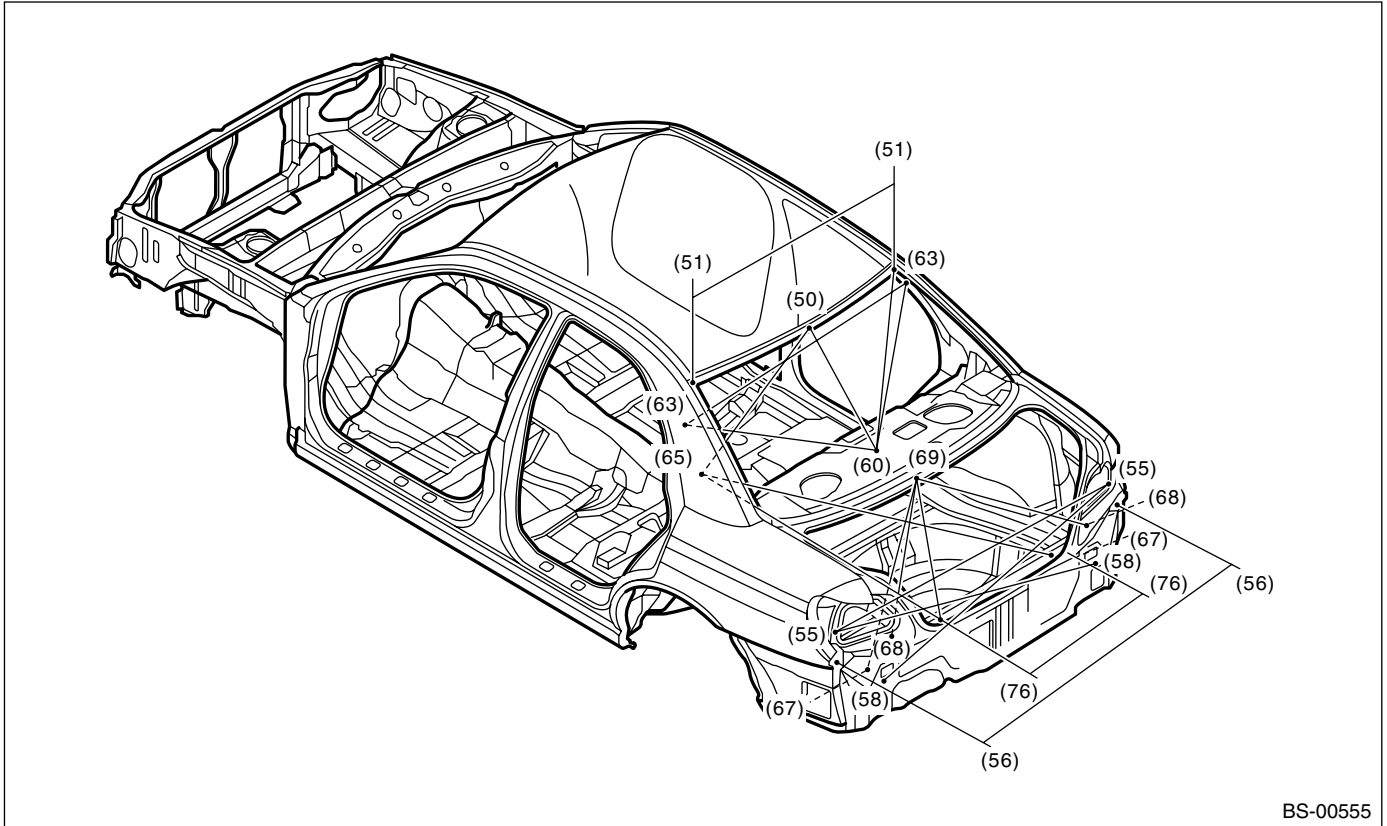
Unit: mm (in)

Point to point	Dimension	Point to point	Dimension
(50) to (71) RH	1,562 (61.50)	(63) RH to (65)	1,118 (44.02)
(50) to (71) LH	1,562 (61.50)	(63) LH to (65)	1,118 (44.02)
(60) to (62) RH	1,338 (52.68)	(63) RH to (71) RH	1,283 (50.51)
(60) to (62) LH	1,338 (52.68)	(63) LH to (71) LH	1,283 (50.51)
(62) RH to (63) RH	773 (30.43)	(65) to (66) RH	956 (37.64)
(62) LH to (63) LH	773 (30.43)	(65) to (66) LH	956 (37.64)
(62) RH to (66) LH	1,449 (57.05)	(66) RH to (66) LH	840 (33.07)
(62) LH to (66) RH	1,449 (57.05)	—	—

Datum Dimensions

BODY STRUCTURE

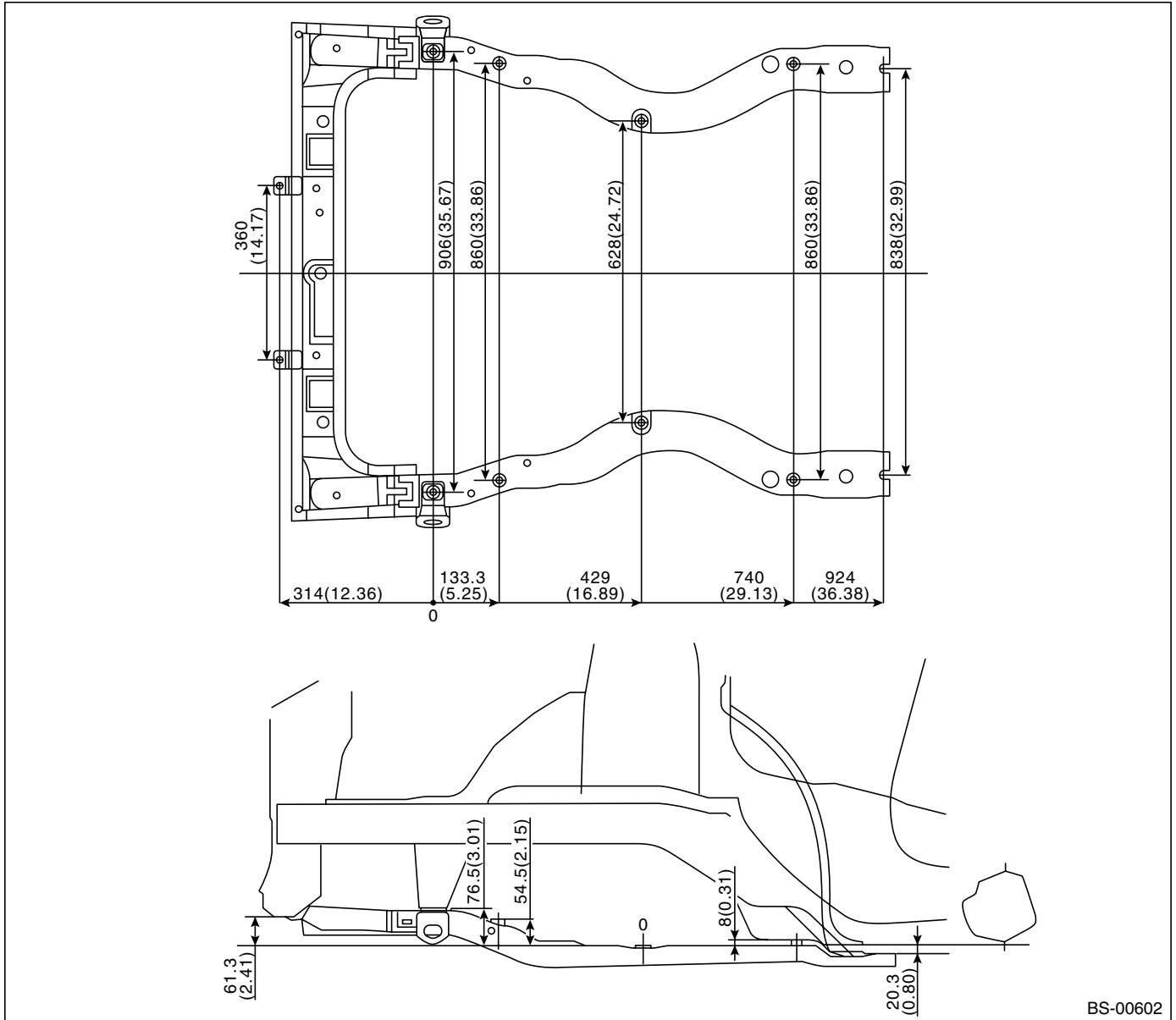
7. SEDAN MODEL (REAR STRUCTURE)



Unit: mm (in)

Point to point	Dimension	Point to point	Dimension
(50) to (60)	501 (19.72)	(65) to (76) LH	1,544 (60.79)
(50) to (65)	1,082 (42.60)	(65) to (68) RH	1,581 (62.24)
(51) RH to (51) LH	1,025 (40.35)	(65) to (68) LH	1,581 (62.24)
(51) RH to (60)	734 (28.90)	(67) RH to (69)	784 (30.87)
(55) RH to (55) LH	1,406 (55.35)	(67) LH to (69)	784 (30.87)
(55) RH to (58) LH	1,297 (51.06)	(68) RH to (68) LH	1,020 (40.16)
(55) LH to (58) RH	1,297 (51.06)	(68) RH to (69)	681 (26.81)
(56) RH to (56) LH	1,426 (56.14)	(68) LH to (69)	681 (26.81)
(60) to (63) RH	764 (30.08)	(69) to (76) RH	537 (21.14)
(60) to (63) LH	764 (30.08)	(69) to (76) LH	537 (21.14)
(63) RH to (63) LH	1,183 (46.57)	(76) RH to (76) LH	600 (23.62)
(65) to (76) RH	1,544 (60.79)	—	—

8. SUB FRAME ALIGNMENT



BS-00602

Unit: mm (in)

Horizontal and vertical dimensions are values measured from datum points (0).

Datum Dimensions

BODY STRUCTURE
