

BODY SECTION

This service manual has been prepared to provide SUBARU service personnel with the necessary information and data for the correct maintenance and repair of SUBARU vehicles.

This manual includes the procedures for maintenance, disassembling, reassembling, inspection and adjustment of components and diagnostics for guidance of experienced mechanics.

Please peruse and utilize this manual fully to ensure complete repair work for satisfying our customers by keeping their vehicle in optimum condition. When replacement of parts during repair work is needed, be sure to use SUBARU genuine parts.

All information, illustration and specifications contained in this manual are based on the latest product information available at the time of publication approval.

**HVAC SYSTEM
(HEATER, VENTILATOR AND A/C)** AC

**HVAC SYSTEM (AUTO A/C)
(DIAGNOSTICS)** AC(diag)

AIRBAG SYSTEM AB

AIRBAG SYSTEM (DIAGNOSTICS) AB(diag)

SEAT BELT SYSTEM SB

LIGHTING SYSTEM LI

WIPER AND WASHER SYSTEMS WW

ENTERTAINMENT ET

COMMUNICATION SYSTEM COM

GLASS/WINDOWS/MIRRORS GW

BODY STRUCTURE BS

INSTRUMENTATION/DRIVER INFO IDI

SEATS SE

SECURITY AND LOCKS SL

**SUNROOF/T-TOP/CONVERTIBLE TOP
(SUNROOF)** SR

EXTERIOR/INTERIOR TRIM EI

EXTERIOR BODY PANELS EB

BODY SECTION

CRUISE CONTROL SYSTEM

CC

**CRUISE CONTROL SYSTEM
(DIAGNOSTICS)**

CC(diag)

IMMOBILIZER (DIAGNOSTICS)

IM(diag)

EXTERIOR/INTERIOR TRIM



	Page
1. General Description	2
2. Front Grille	18
3. Hood Grille	19
4. Front Under Cover	21
5. Front Bumper	22
6. Rear Bumper	28
7. Mud Guard	31
8. Cowl Panel	32
9. Roof Spoiler	33
10. Rear Spoiler	35
11. Side Sill Spoiler	36
12. Front Door Trim	37
13. Rear Door Trim	38
14. Glove Box	39
15. Roof Rail	40
16. Roof Molding	41
17. Console Box	42
18. Instrument Panel Assembly	43
19. Upper Inner Trim	46
20. Lower Inner Trim	47
21. Rear Quarter Trim	48
22. Sun Visor	49
23. Roof Trim	50
24. Rear Gate Trim	52
25. Rear Shelf Trim	53
26. Trunk Trim	54
27. Floor Mat	55
28. Luggage Floor Mat	56
29. Trunk Room Mat	57
30. Heat Shield Cover	58

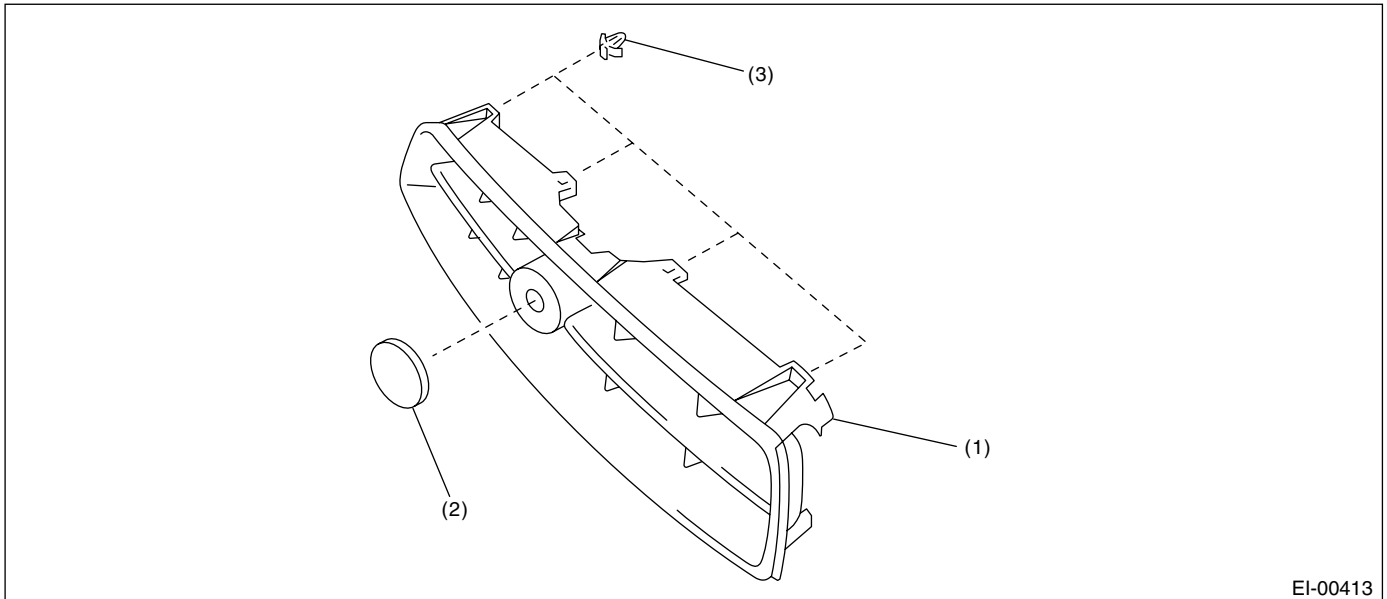
General Description

EXTERIOR/INTERIOR TRIM

1. General Description

A: COMPONENT

1. FRONT GRILLE



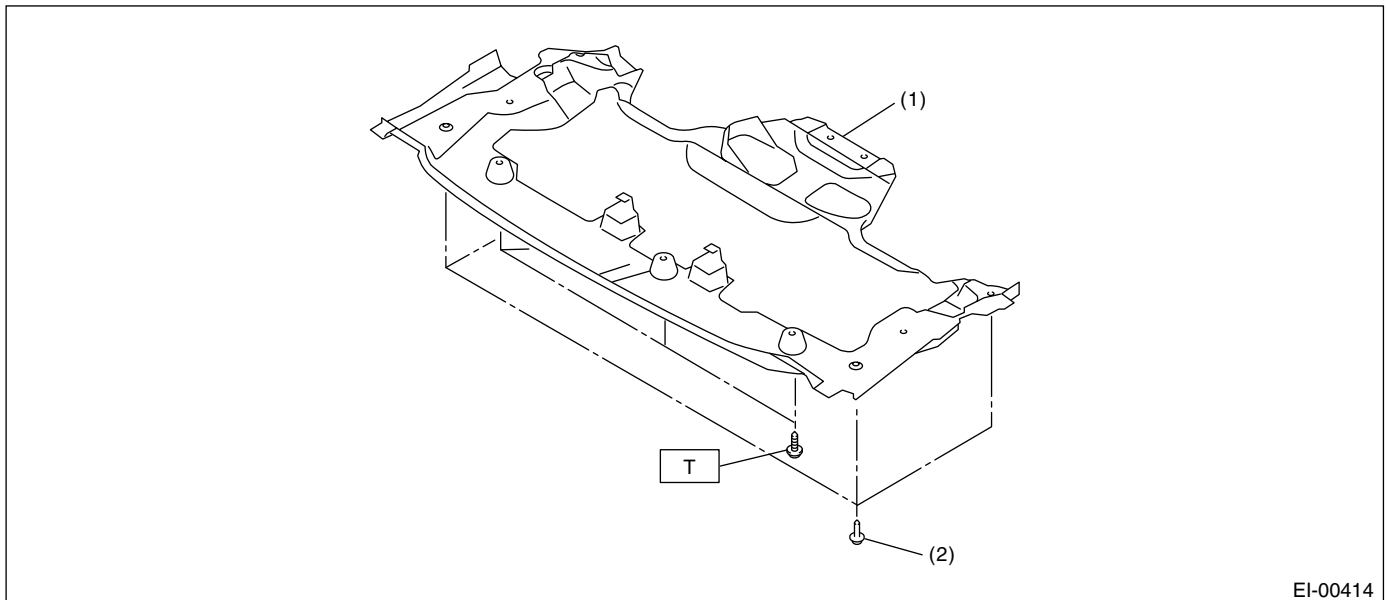
EI-00413

(1) Front grille

(2) Front grille emblem

(3) Clip

2. UNDER COVER



EI-00414

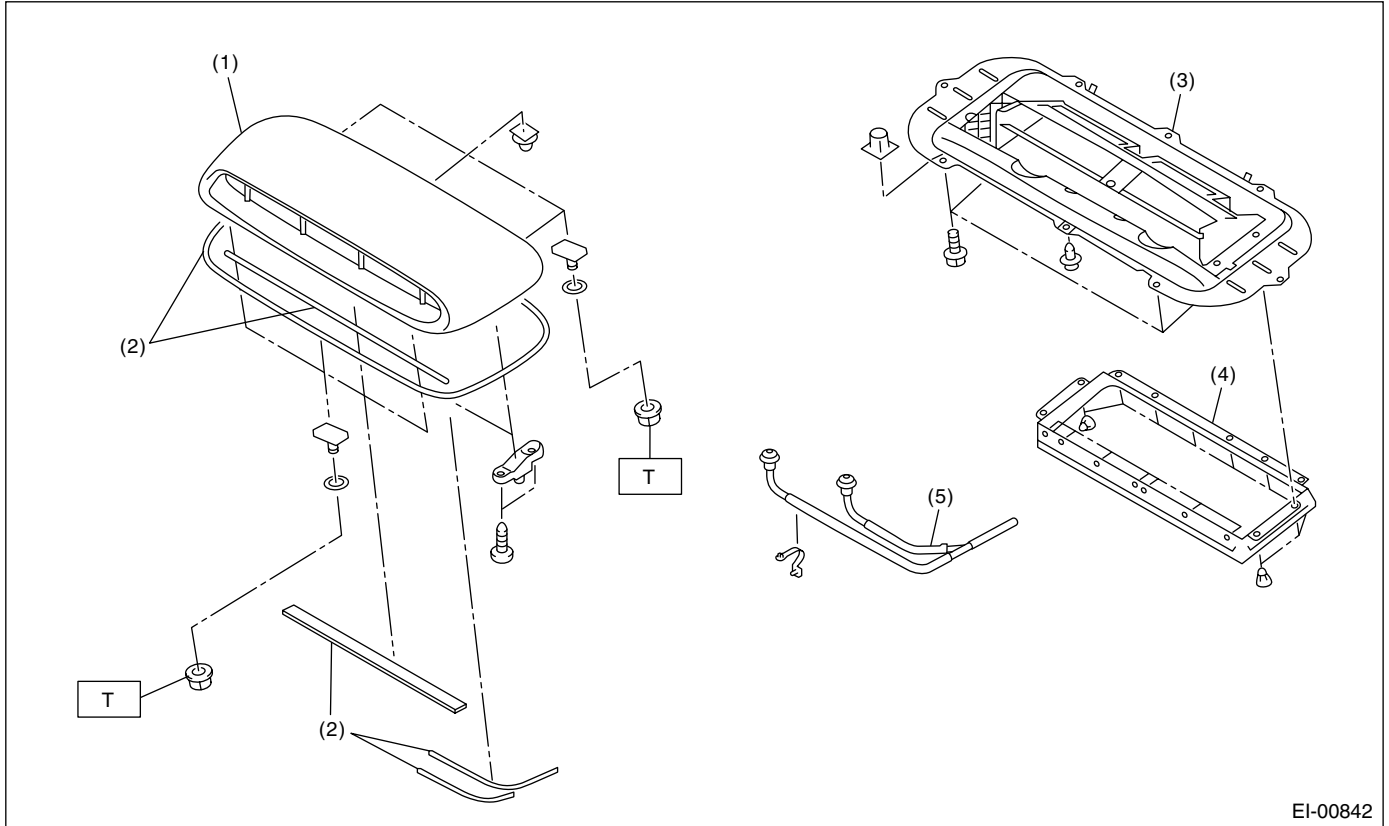
(1) Under cover

(2) Clip (side)

Tightening torque: N·m (kgf·m, ft·lb)

T: 14 (1.42, 10.3)

3. HOOD GRILLE



EI-00842

- (1) Hood grille
- (2) Packing
- (3) Grille duct upper

- (4) Grille duct lower
- (5) Intercooler water spray (STi model)

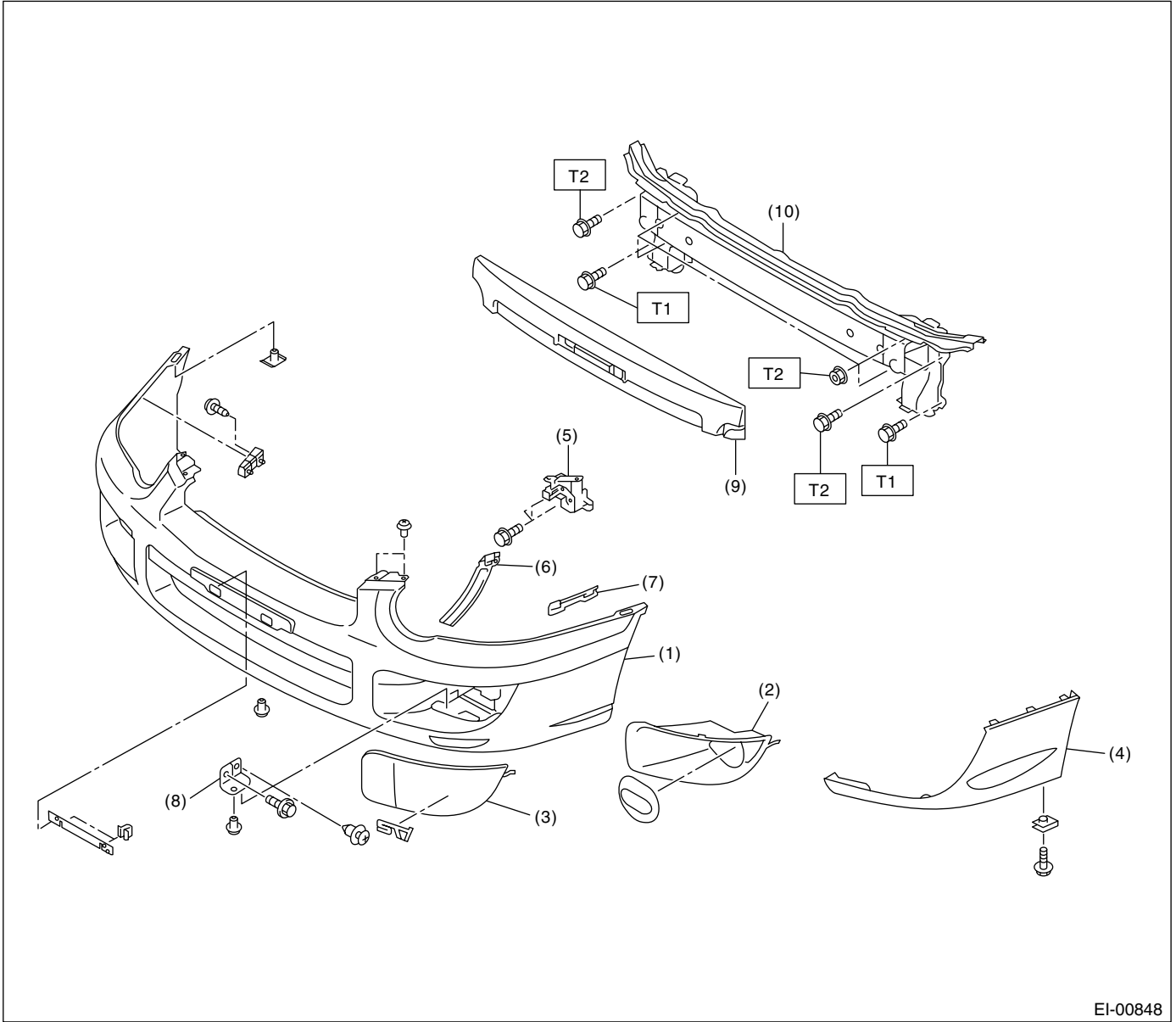
Tightening torque: N·m (kgf·m, ft·lb)

T: 4.5 (0.46, 3.32)

General Description

EXTERIOR/INTERIOR TRIM

4. FRONT BUMPER



EI-00848

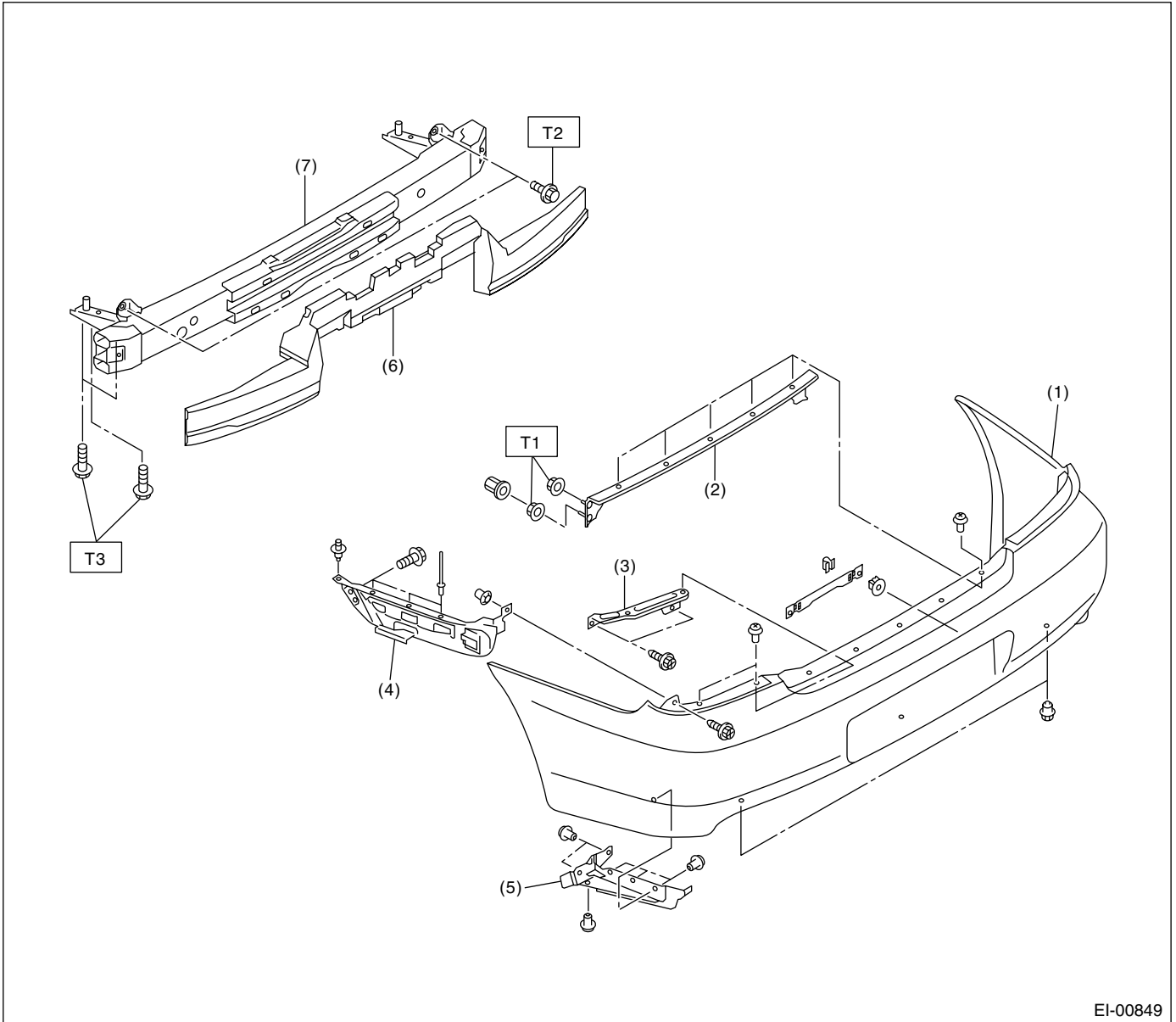
- | | |
|---------------------------------|-------------------------------|
| (1) Bumper face | (6) Air spoiler side bracket |
| (2) Fog light cover | (7) Air spoiler upper bracket |
| (3) Fog light cover (STi model) | (8) Bumper bracket side lower |
| (4) Air dam skirt ASSY | (9) Energy absorber form |
| (5) Bumper bracket side upper | (10) Bumper beam ASSY |

Tightening torque: N-m (kgf-m, ft-lb)

T1: 32 (3.3, 24)

T2: 69 (7.0, 51)

5. REAR BUMPER



EI-00849

- | | |
|---------------------------|---|
| (1) Bumper face | (6) Energy absorber form (model with bumper beam) |
| (2) Bumper upper beam | (7) Back beam ASSY (model with bumper beam) |
| (3) Bumper corner bracket | |
| (4) Bumper side bracket | |
| (5) Bumper side cover | |

Tightening torque: N-m (kgf-m, ft-lb)

T1: 33 (3.4, 24)

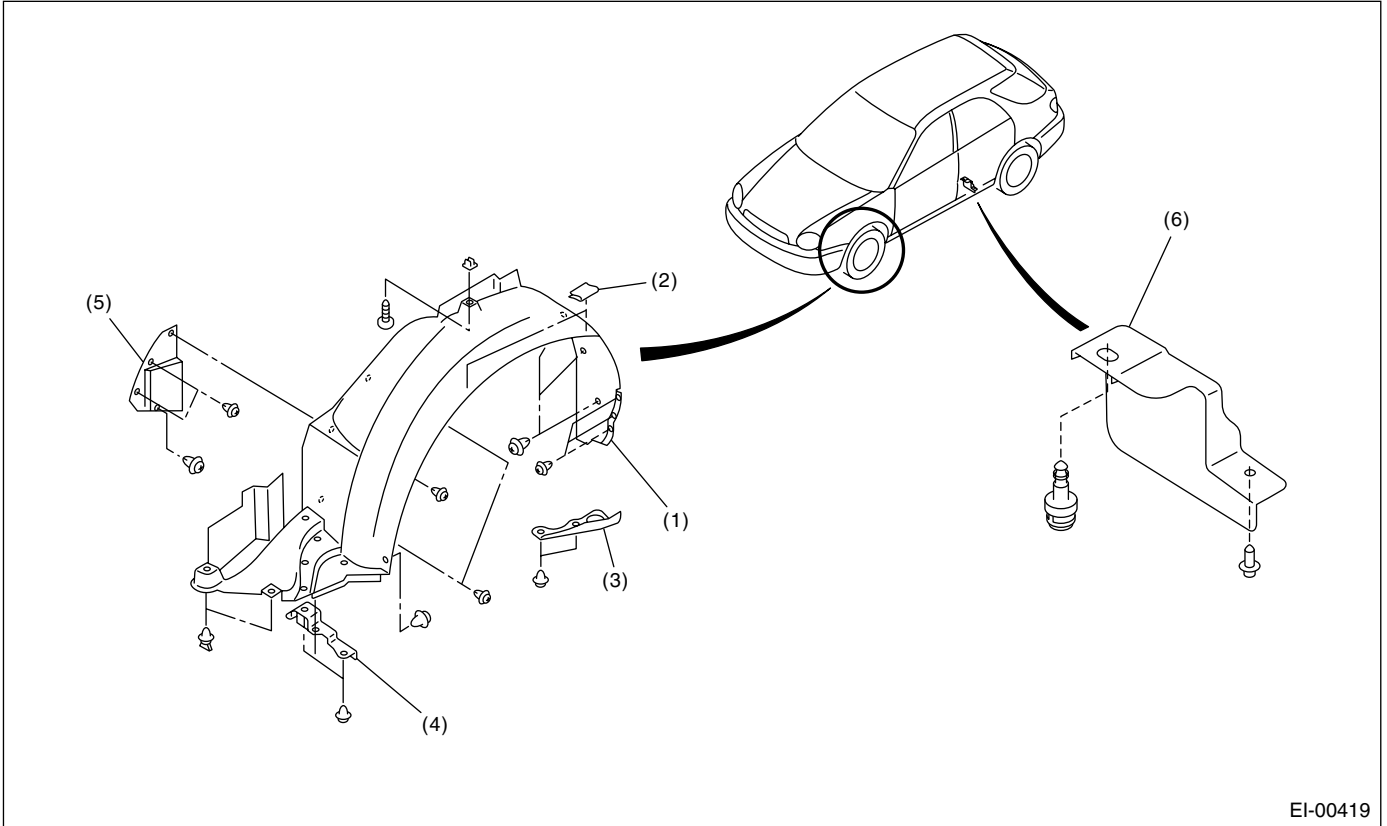
T2: 34 (3.5, 25)

T3: 95 (9.7, 70)

General Description

EXTERIOR/INTERIOR TRIM

6. MUD GUARD



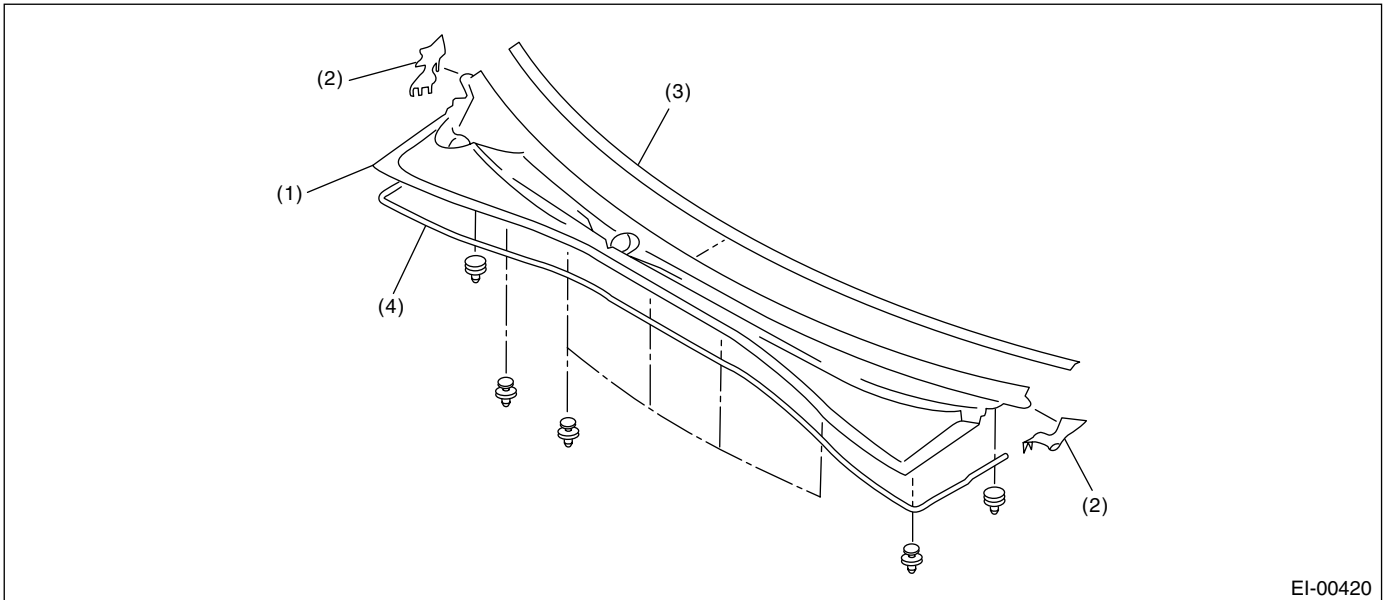
EI-00419

- (1) Mud guard
- (2) Clip

- (3) Sub frame cover
- (4) Front air flap plate

- (5) Mud guard plate
- (6) Rear air flap plate

7. COWL PANEL



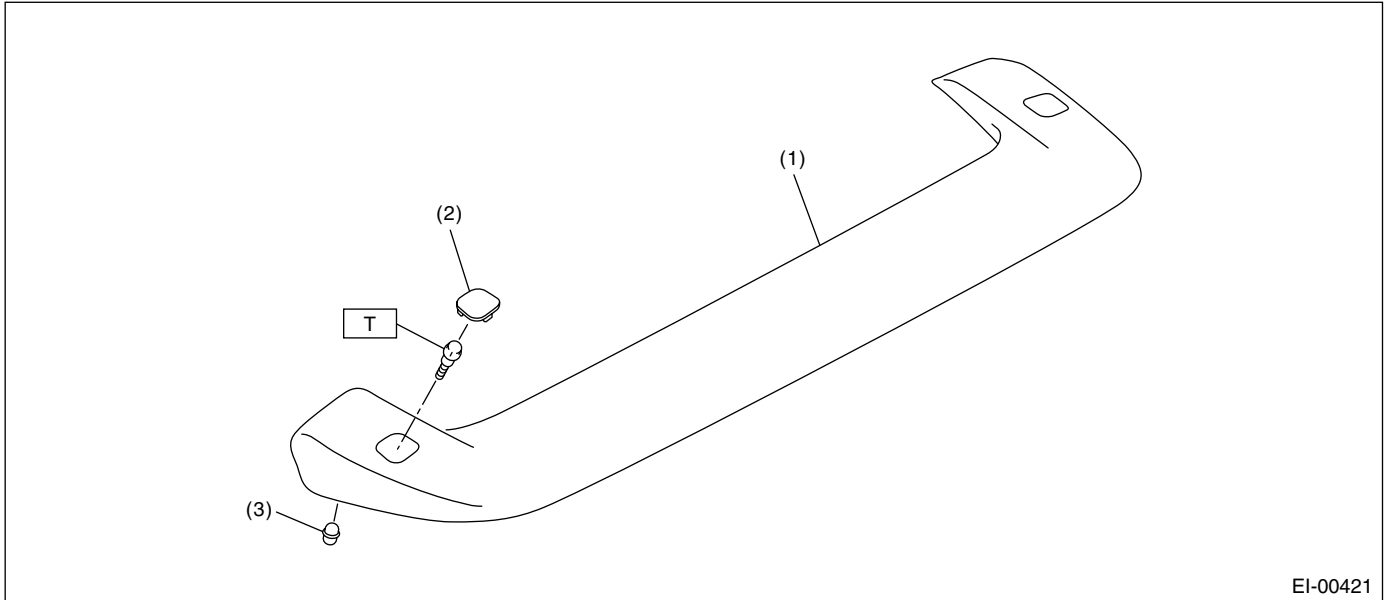
EI-00420

- (1) Cowl panel
- (2) Cowl side panel

- (3) Protector

- (4) Seal

8. ROOF SPOILER



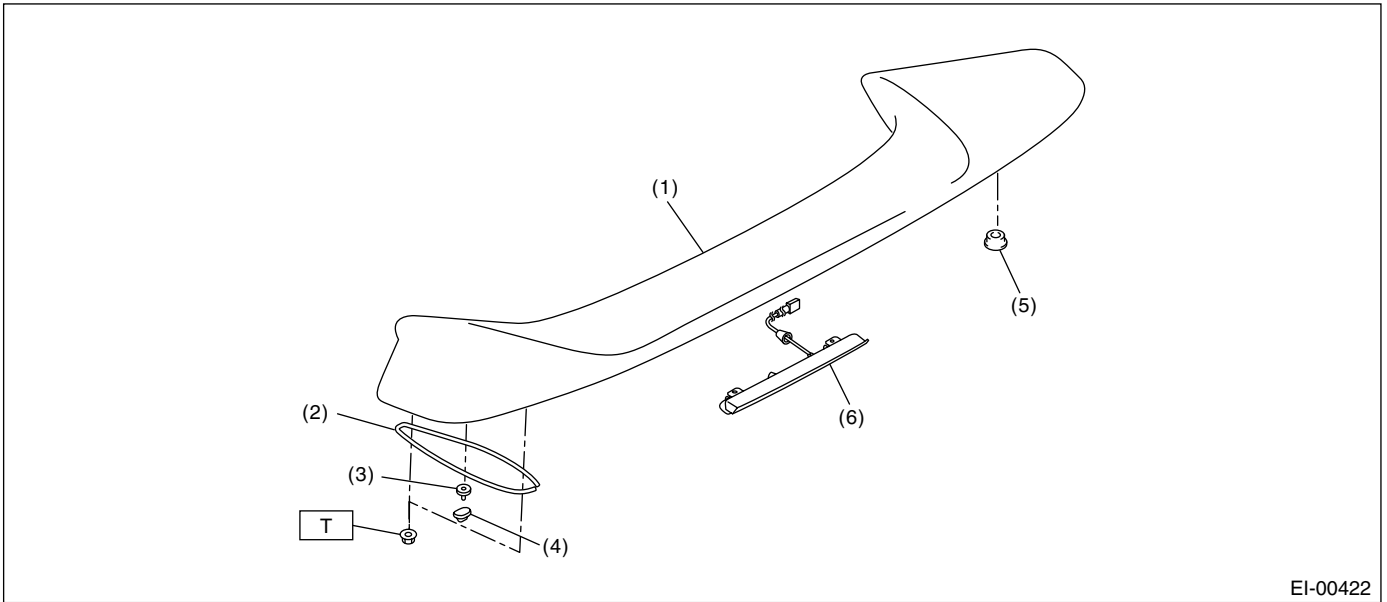
EI-00421

- (1) Roof spoiler
- (2) Cap

- (3) Clip

Tightening torque: N·m (kgf·m, ft·lb)
T: 7.4 (0.75, 5.46)

9. REAR SPOILER



EI-00422

- (1) Rear spoiler
- (2) Protector
- (3) Clip

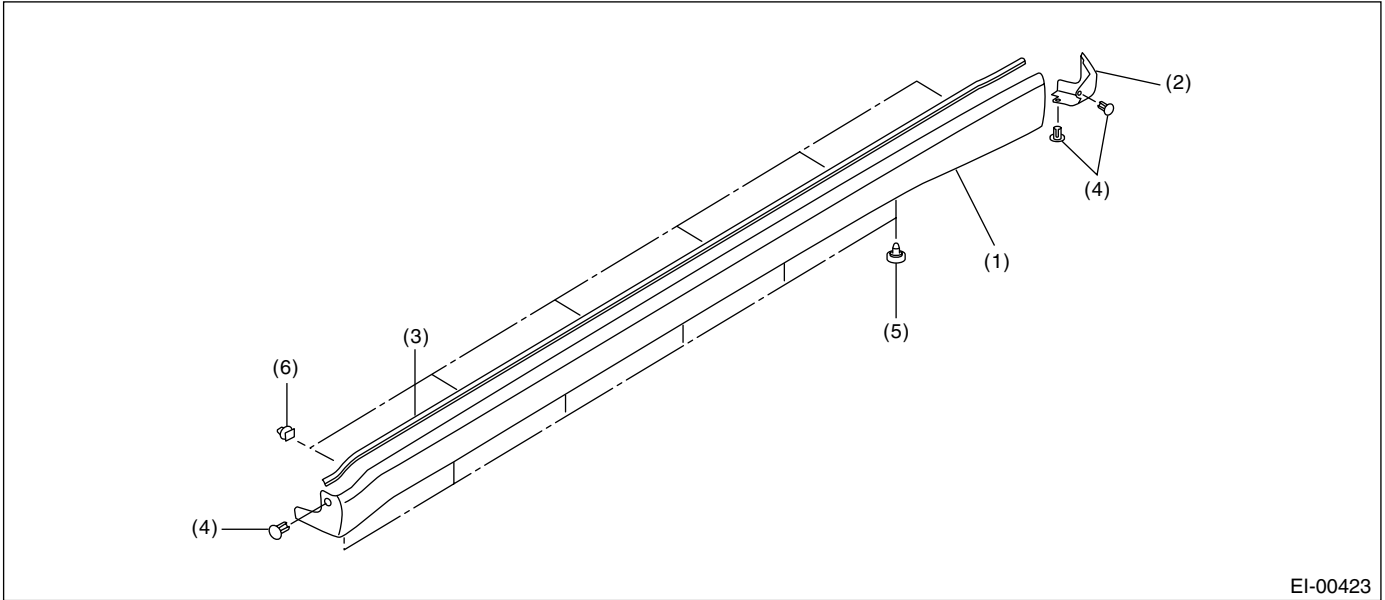
- (4) Grommet
- (5) Seal (RH)
- (6) High mount stop lamp

Tightening torque: N·m (kgf·m, ft·lb)
T: 7.4 (0.75, 5.46)

General Description

EXTERIOR/INTERIOR TRIM

10.SIDE SILL SPOILER

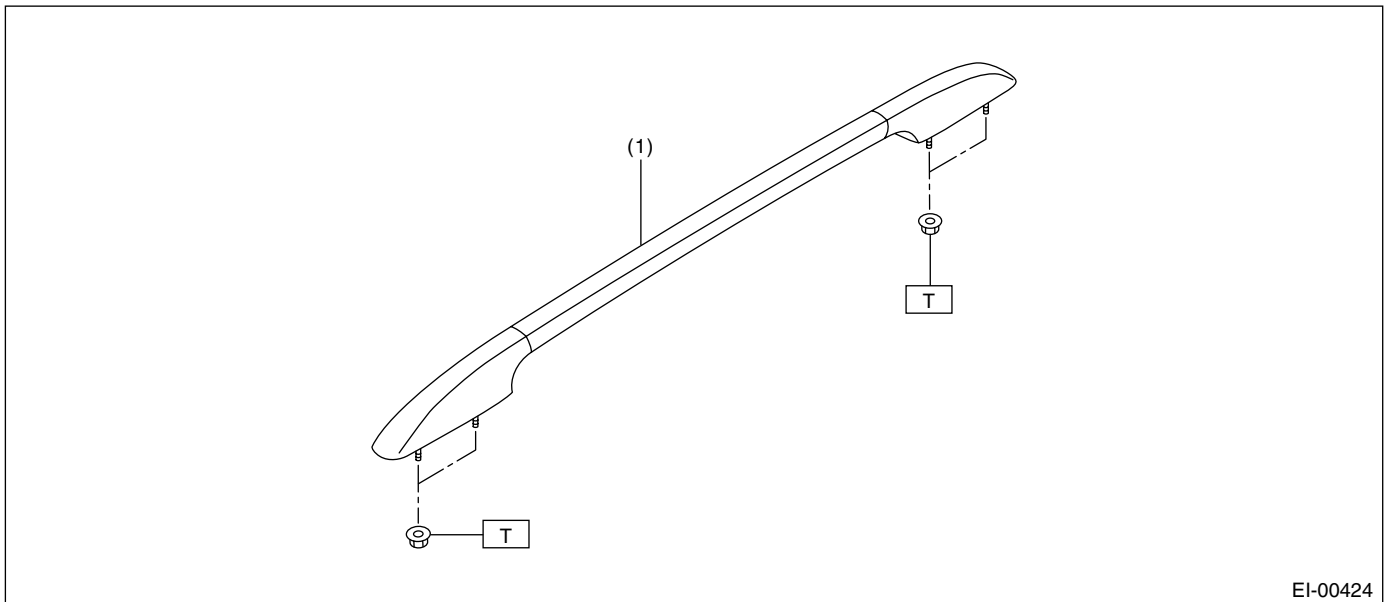


- (1) Side sill spoiler
- (2) End cover

- (3) Protector
- (4) Rivet clip

- (5) Clip (Side sill spoiler)
- (6) Clip

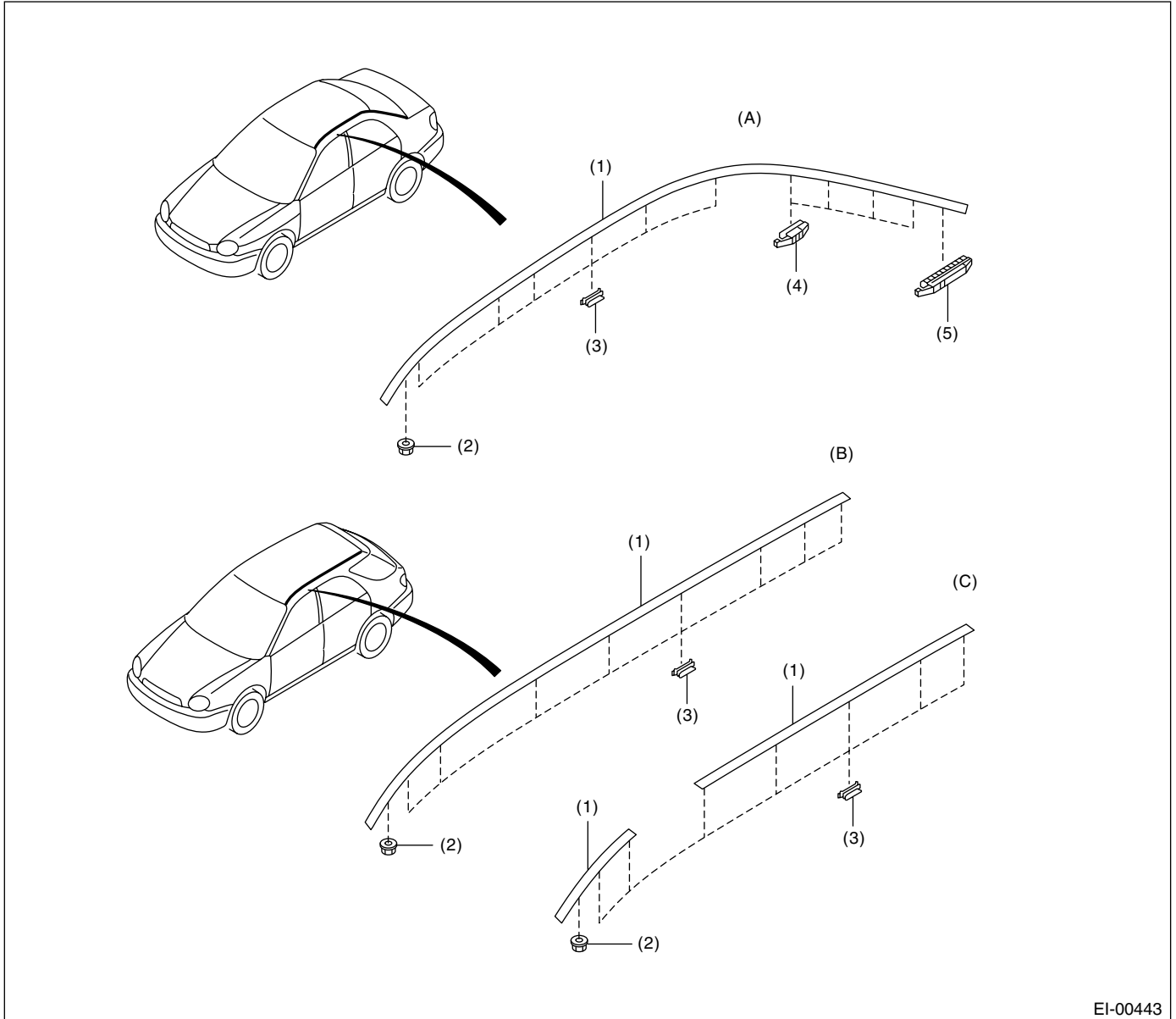
11.ROOF RAIL



- (1) Roof rail

Tightening torque: N·m (kgf·m, ft·lb)
T: 7.4 (0.75, 5.46)

12. ROOF MOLDING



EI-00443

(A) For sedan model

(B) For wagon model

(C) For wagon model (with roof rail)

(1) Roof molding

(3) Clip B

(5) Clip D

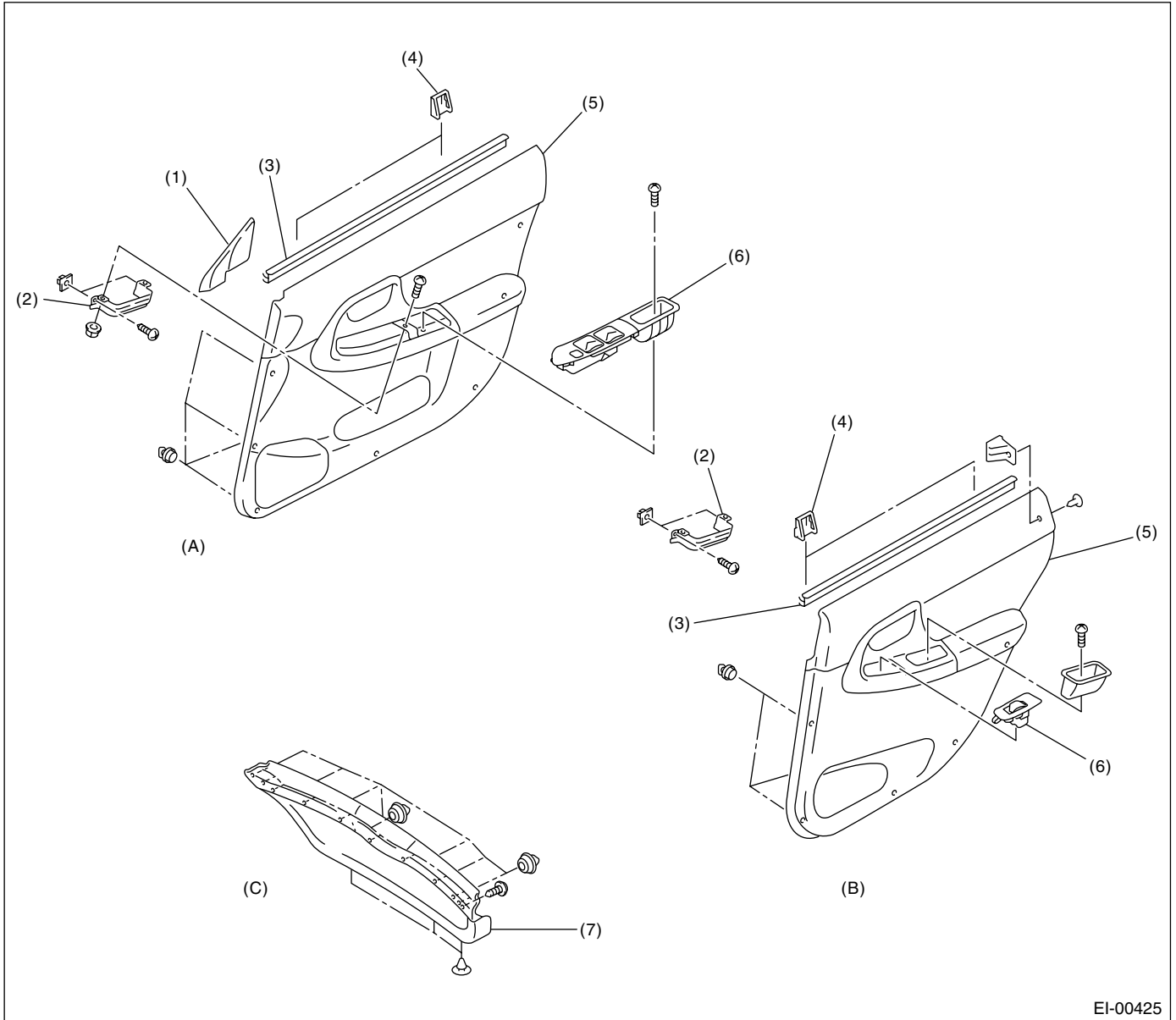
(2) Clip A

(4) Clip C

General Description

EXTERIOR/INTERIOR TRIM

13.DOOR TRIM



EI-00425

(A) Front door trim

(B) Rear door trim

(C) Rear gate trim

(1) Gusset cover

(4) Clip

(6) Power window switch cover

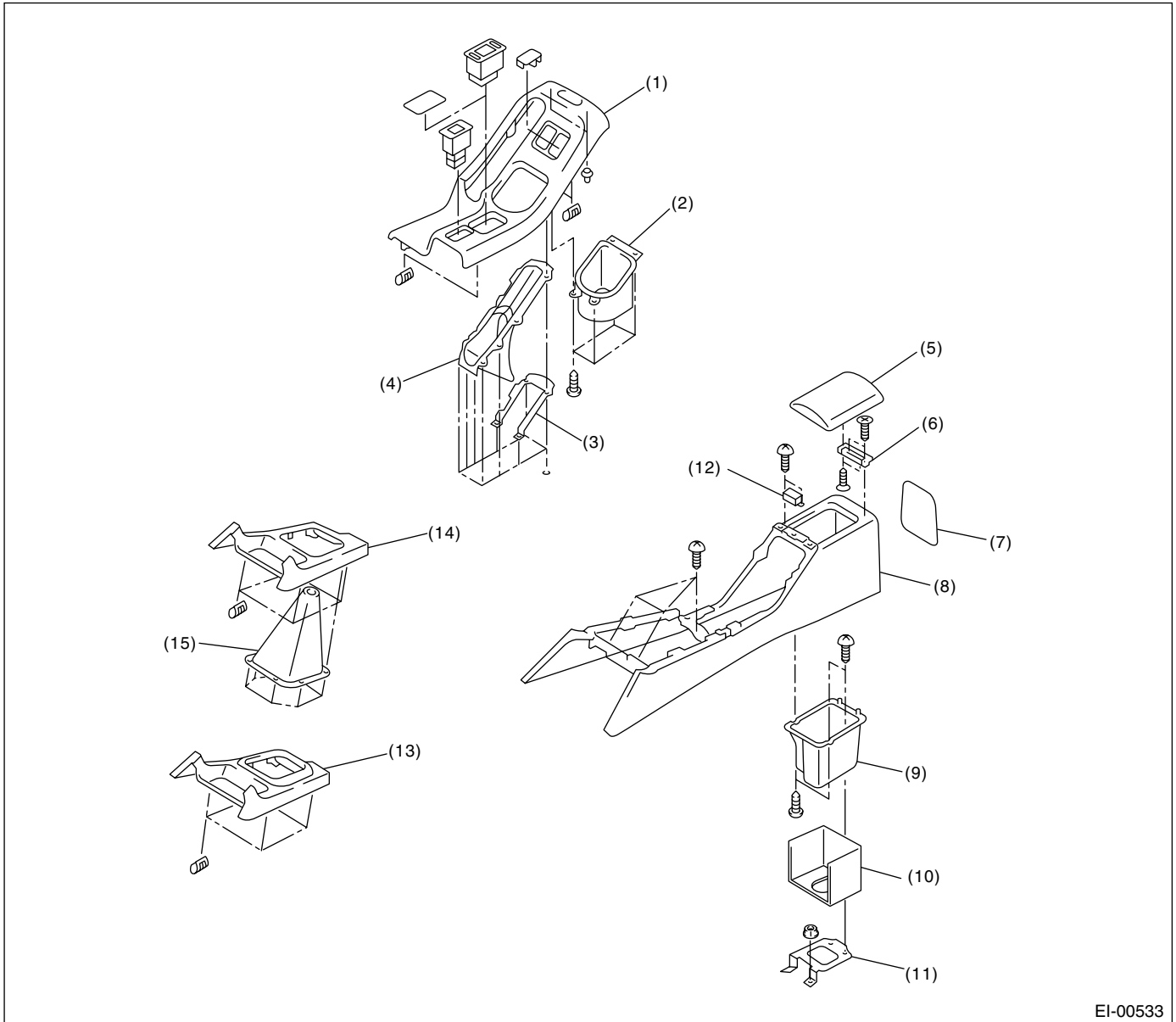
(2) Bracket

(5) Trim panel

(7) Lower trim

(3) Weather strip upper

14. CONSOLE BOX



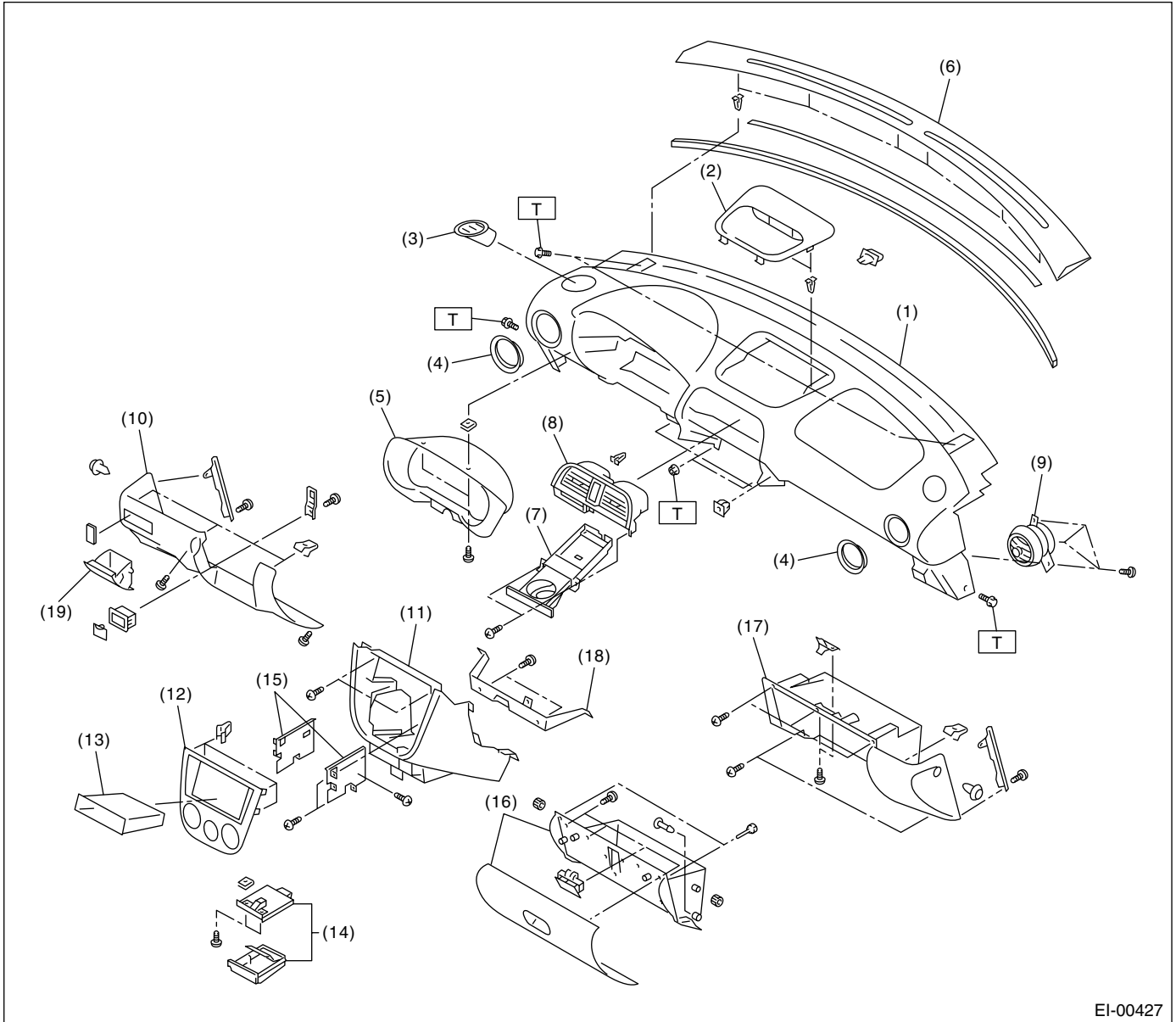
EI-00533

- | | | |
|-------------------|--------------------|-----------------------------|
| (1) Console cover | (6) Lid hinge | (11) Lower bracket |
| (2) Cup holder | (7) Rear lid | (12) Lock |
| (3) Bracket | (8) Console box | (13) Front cover (AT model) |
| (4) Strip | (9) Console pocket | (14) Front cover (MT model) |
| (5) Upper lid | (10) Upper bracket | (15) Boot |

General Description

EXTERIOR/INTERIOR TRIM

15. INSTRUMENT PANEL



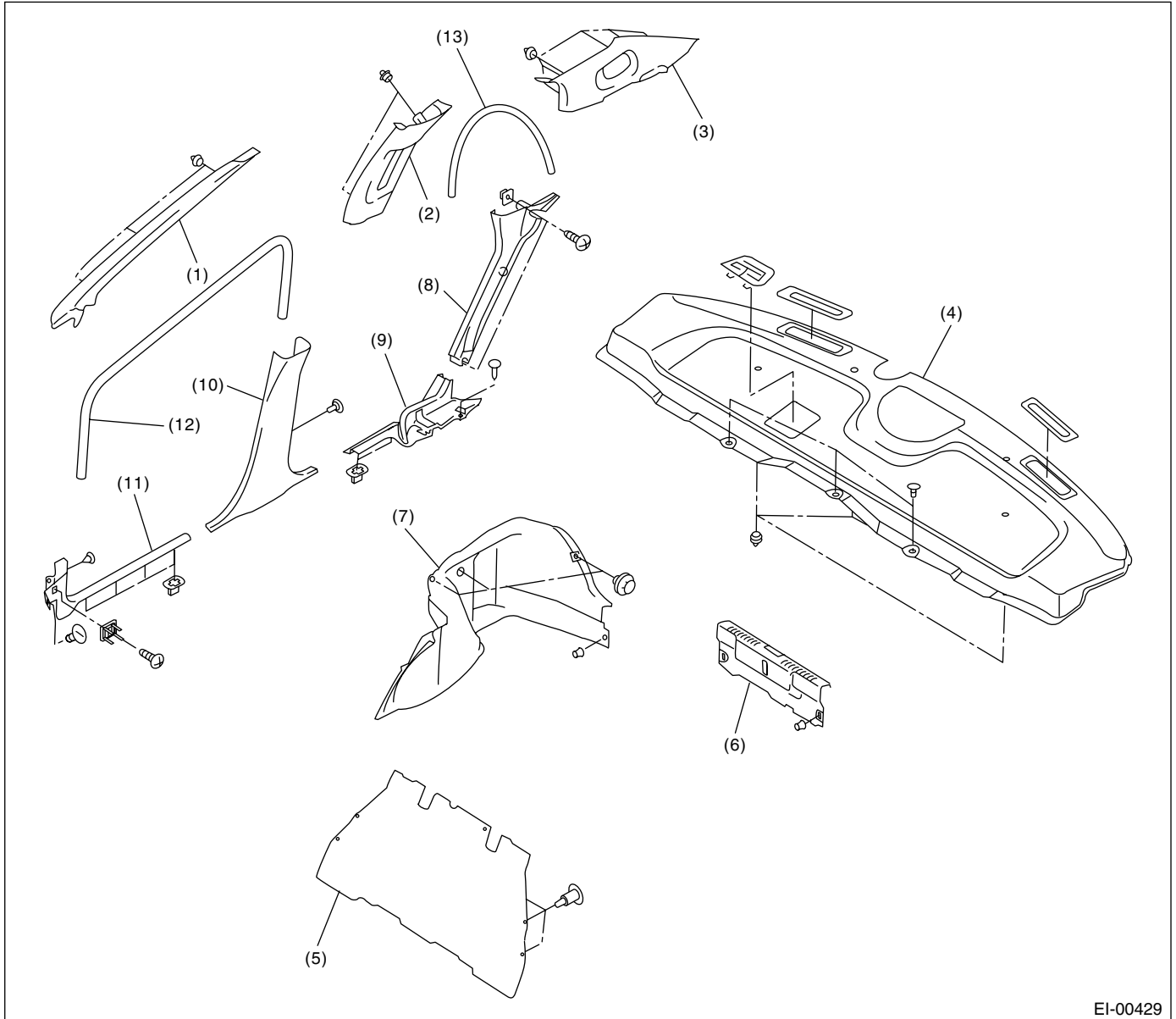
EI-00427

- | | | |
|---------------------------------|-----------------------------------|----------------------------|
| (1) Pad & frame | (9) Air vent grille (side) | (16) Glove box lid |
| (2) Center upper panel | (10) Instrument panel lower cover | (17) Glove box panel |
| (3) Air vent grille (defroster) | (11) Console cover | (18) Console reinforcement |
| (4) Grille cover | (12) Center panel | (19) Coin box |
| (5) Meter visor | (13) Center pocket | |
| (6) Defroster grille | (14) Ash tray | |
| (7) Cup holder | (15) Audio bracket | |
| (8) Air vent grille (center) | | |

Tightening torque: N-m (kgf-m, ft-lb)

T: 7 (0.71, 5.2)

16.INNER TRIM (SEDAN MODEL)



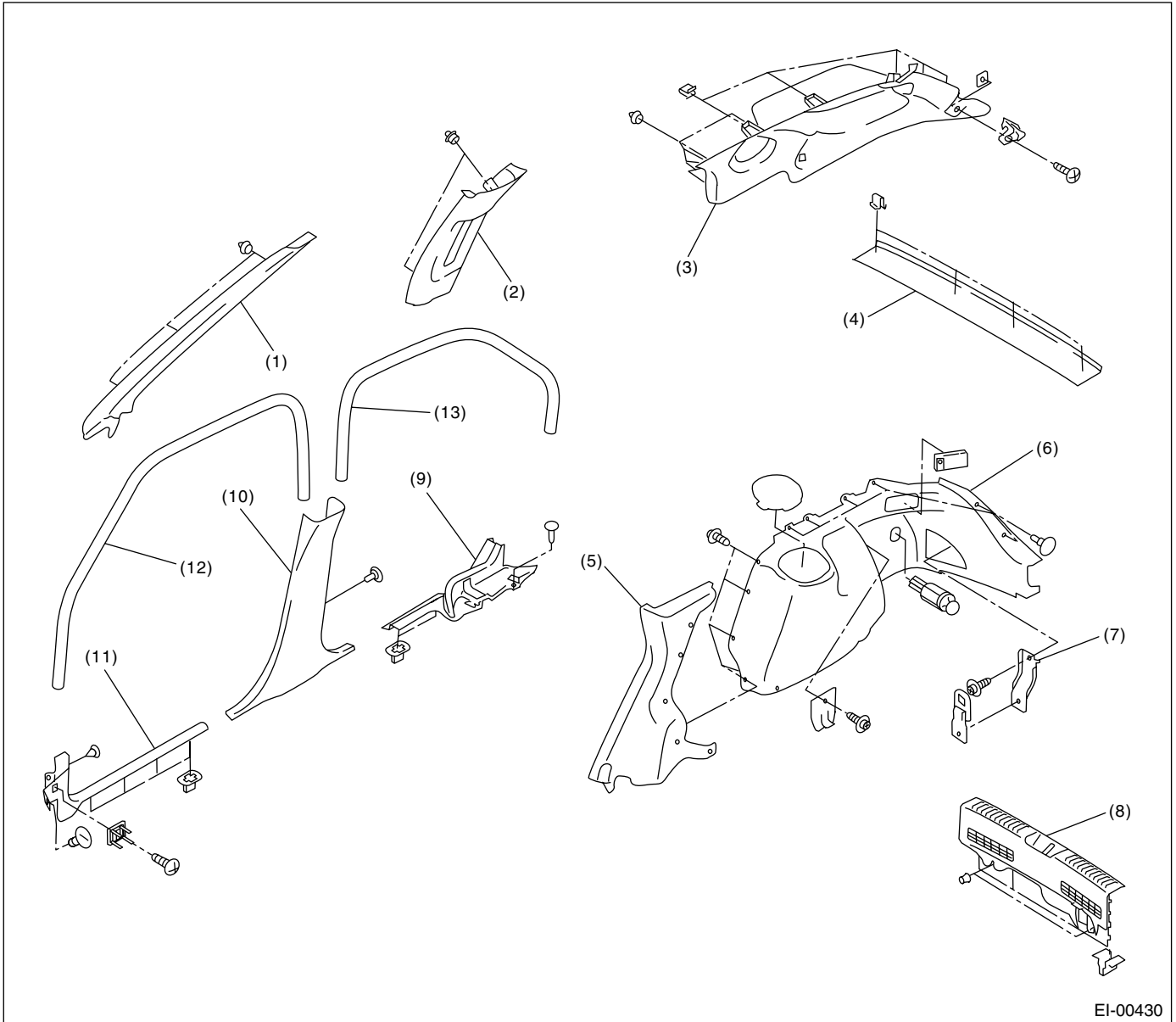
EI-00429

- | | | |
|------------------------------|----------------------------|-------------------------------|
| (1) Front pillar upper trim | (6) Trunk rear trim | (10) Center pillar lower trim |
| (2) Center pillar upper trim | (7) Trunk side trim | (11) Side sill front cover |
| (3) Rear pillar upper trim | (8) Rear pillar lower trim | (12) Front garnish |
| (4) Rear shelf trim | (9) Side sill rear cover | (13) Rear garnish |
| (5) Rear bulk trim | | |

General Description

EXTERIOR/INTERIOR TRIM

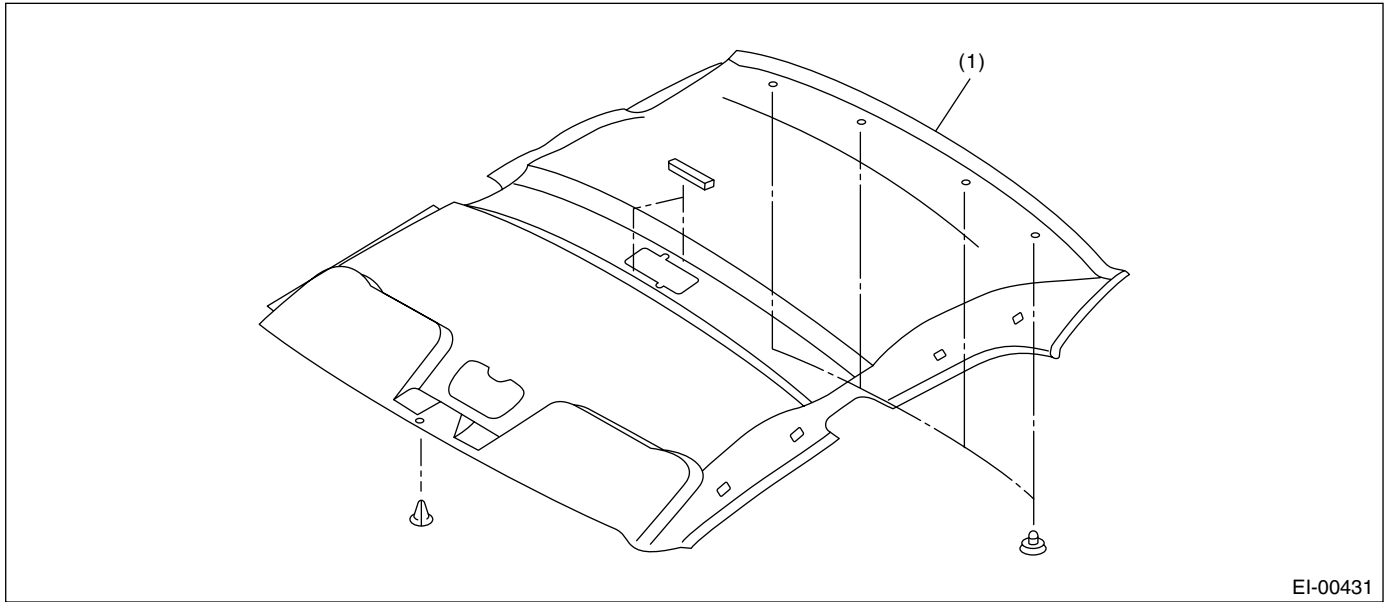
17.INNER TRIM (WAGON MODEL)



EI-00430

- | | | |
|------------------------------|-------------------------------|----------------------------|
| (1) Front pillar upper trim | (6) Rear quarter lower trim | (11) Side sill front cover |
| (2) Center pillar upper trim | (7) Hook | (12) Front garnish |
| (3) Rear pillar upper trim | (8) Rear skirt trim | (13) Rear garnish |
| (4) Rear rail trim | (9) Side sill rear cover | |
| (5) Rear pillar lower trim | (10) Center pillar lower trim | |

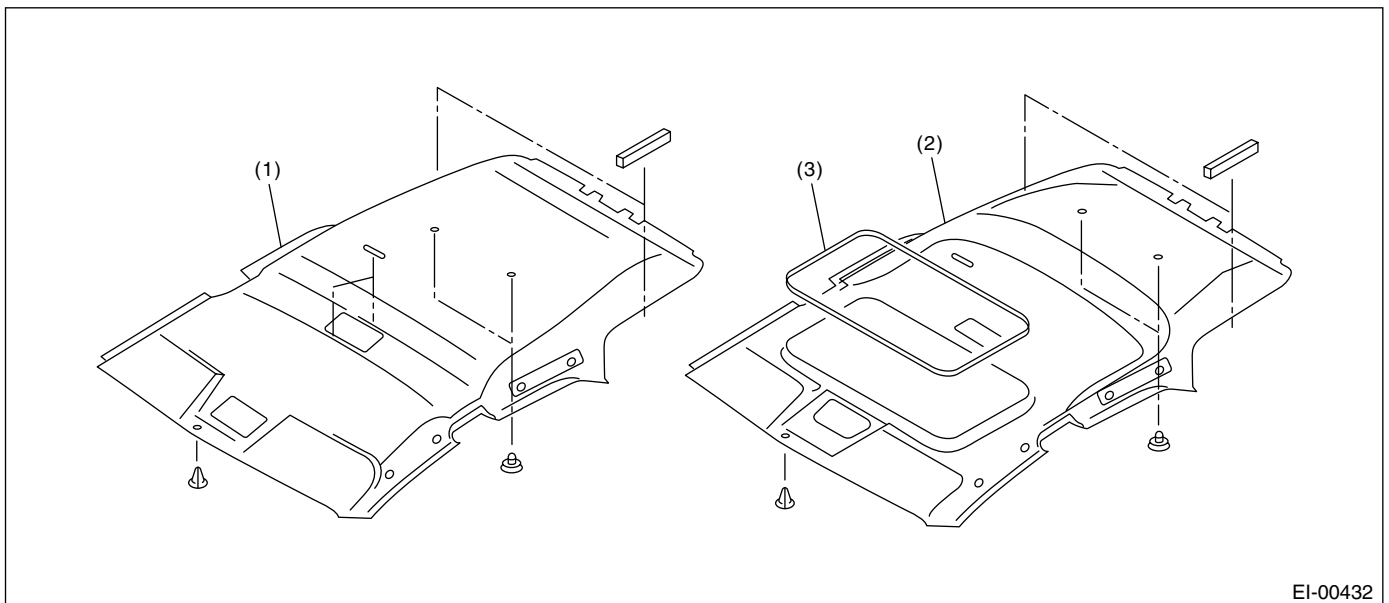
18. ROOF TRIM (SEDAN MODEL)



EI-00431

(1) Roof trim

19. ROOF TRIM (WAGON MODEL)



EI-00432

(1) Roof trim

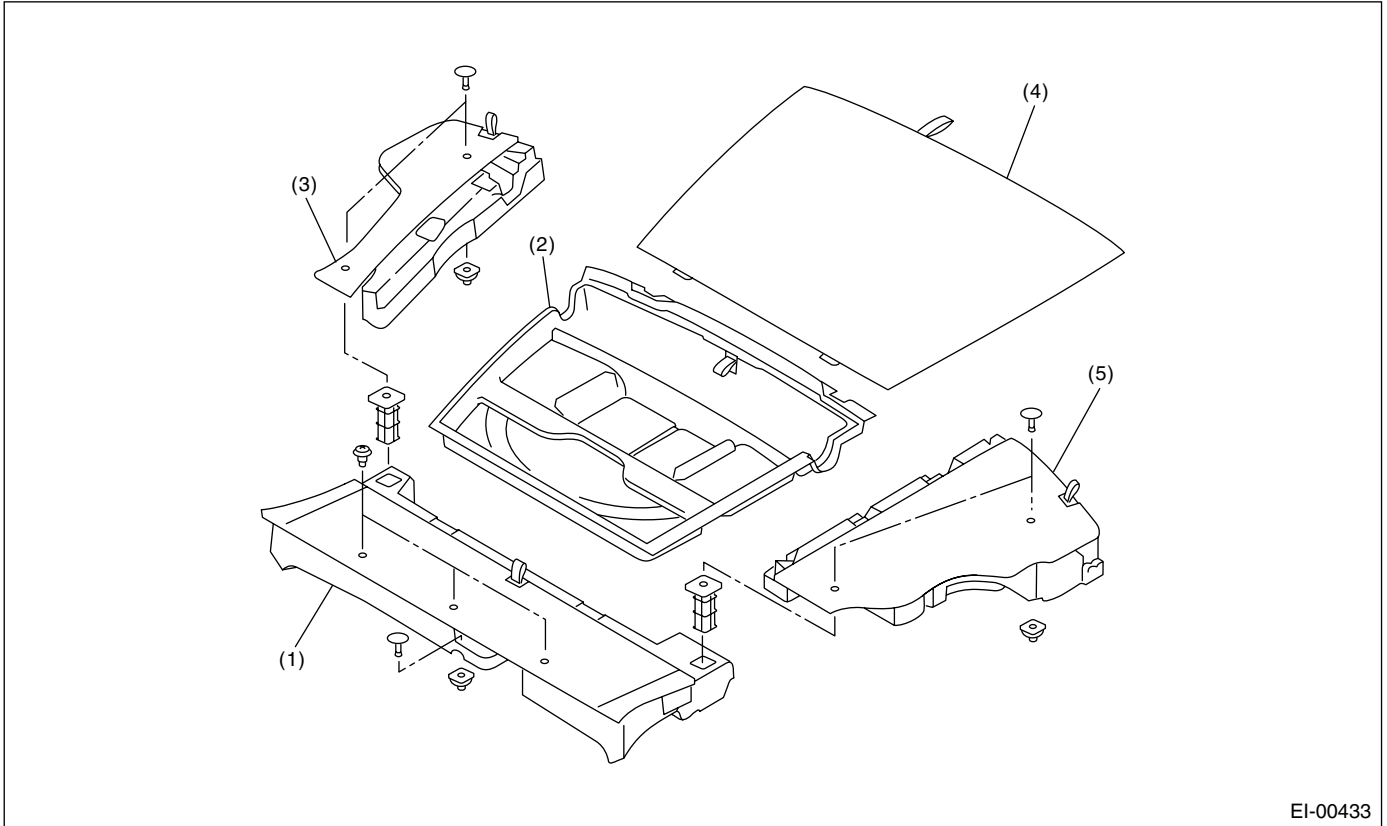
(2) Roof trim (Model with sun roof)

(3) Sun roof garnish

General Description

EXTERIOR/INTERIOR TRIM

20.LUGGAGE FLOOR MAT



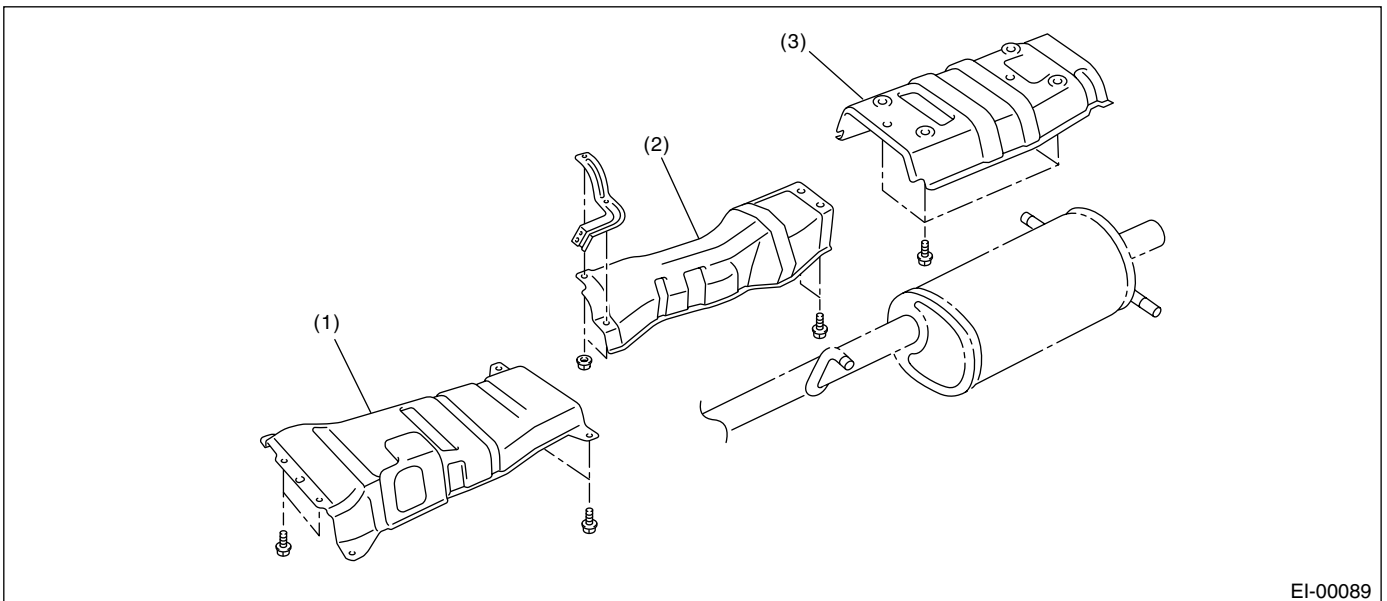
EI-00433

- (1) Front floor mat
- (2) Floor box

- (3) Side floor mat (RH)
- (4) Center floor mat

- (5) Side floor mat (LH)

21.HEAT SHIELD COVER



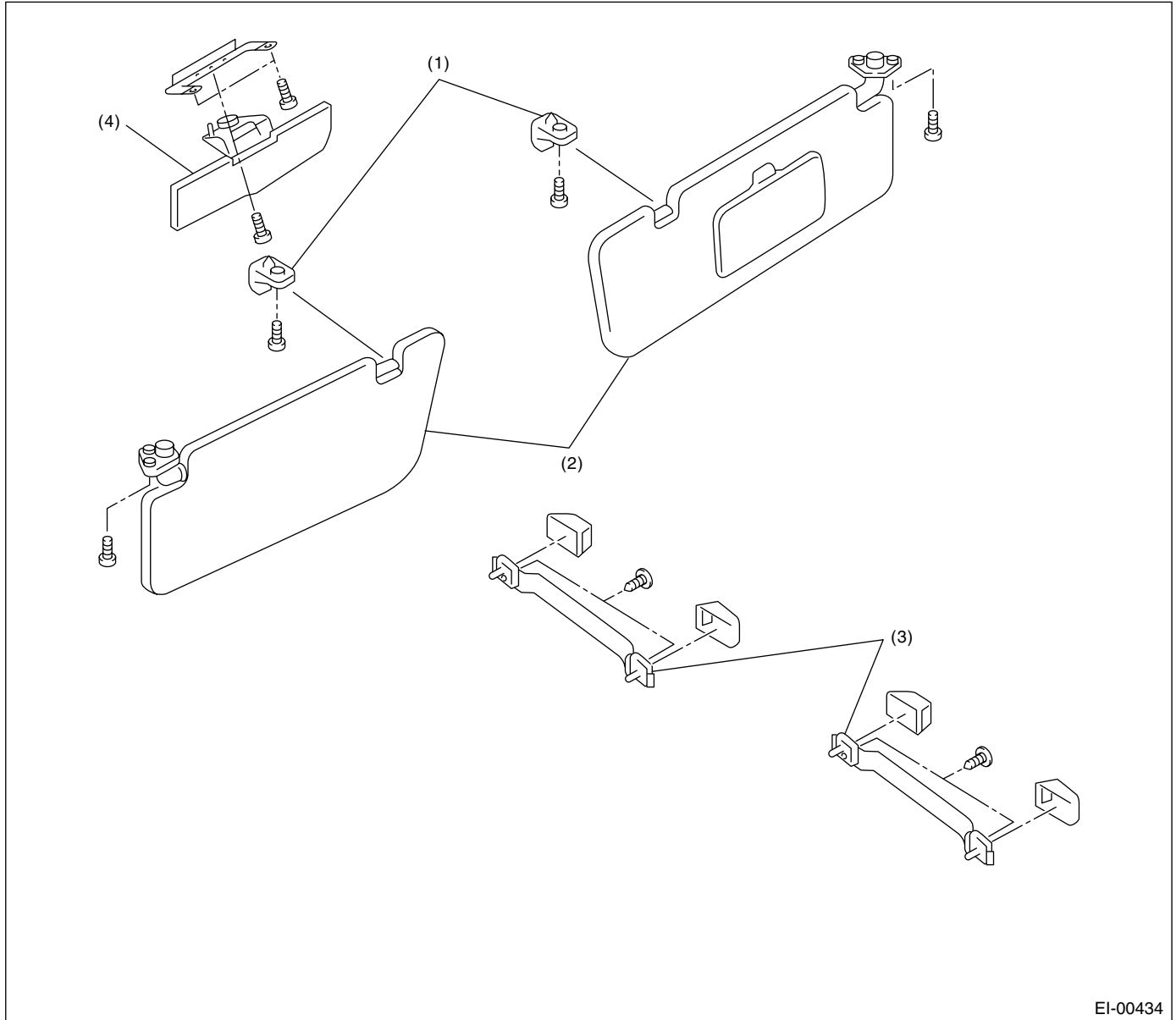
EI-00089

- (1) Front heat shield cover

- (2) Center heat shield cover

- (3) Rear heat shield cover

22.INNER ACCESSORIES



EI-00434

- (1) Hook
- (2) Sun visor
- (3) Assist grip
- (4) Center visor

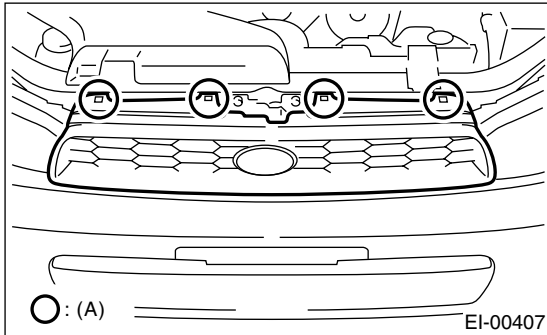
B: PREPARATION TOOL

TOOL NAME	REMARKS
Clip remover	Used for removal of trim.
Clip clamp pliers	Used for removal of various clips and clamps.

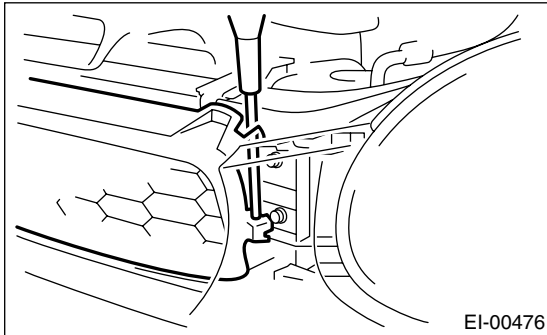
2. Front Grille

A: REMOVAL

- 1) Open the front hood.
- 2) Remove the four clips (A).



- 3) Remove the right and left hooks on the lower side.



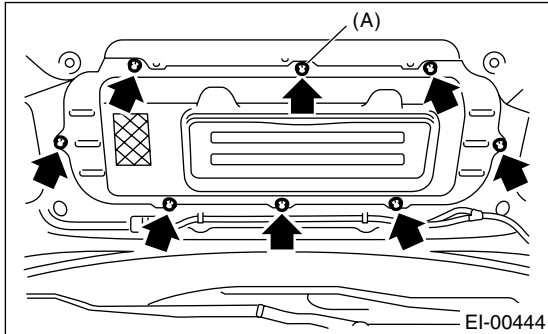
B: INSTALLATION

Install in the reverse order of removal.

3. Hood Grille

A: REMOVAL

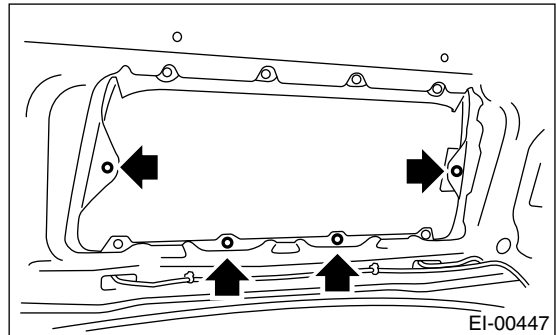
- 1) Remove the hood insulator.
- 2) Remove the seven tapping screws and clip (A) to remove the hood duct.



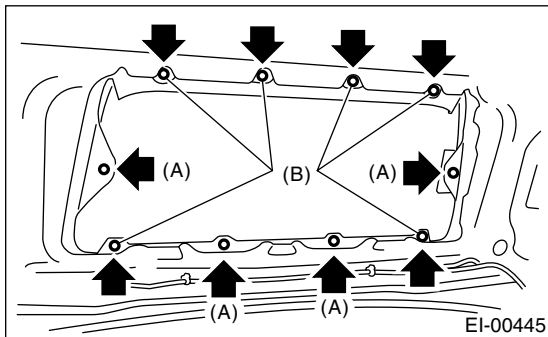
- 2) Engage the four clips of hood grille to front hood panel.

CAUTION:

Make sure that the anchor portion of each clip is firmly engaged.



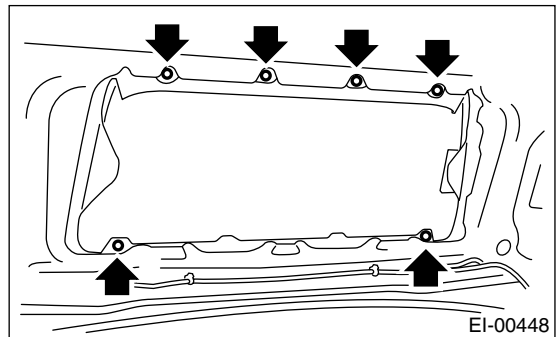
- 3) Loosen the six nuts (B), remove the four clips (A), and then remove the hood grille.



- 3) Install the six nuts.

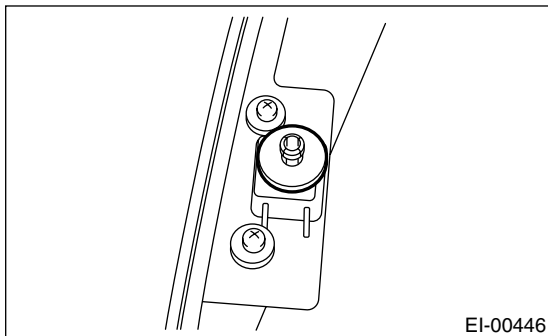
Tightening torque:

4.5 N·m (0.46 kgf·m, 3.32 ft·lb)

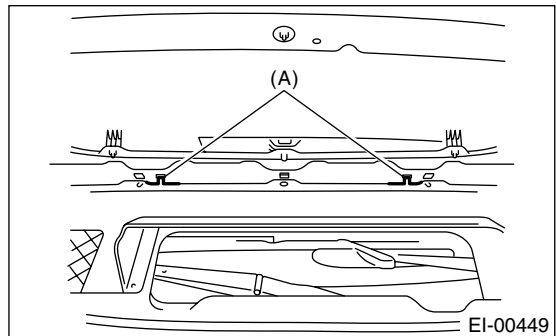


B: INSTALLATION

- 1) Replace the four clips with new ones.



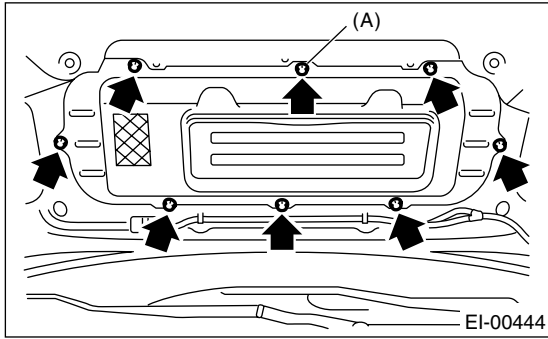
- 4) Catch the two hooks (A) of hood duct to hood holes.



Hood Grille

EXTERIOR/INTERIOR TRIM

5) Install the hood duct with clip (A) and seven tapping screws.



6) Install the hood insulator with new clips.

C: INSPECTION

Make sure that the clip is firmly engaged.

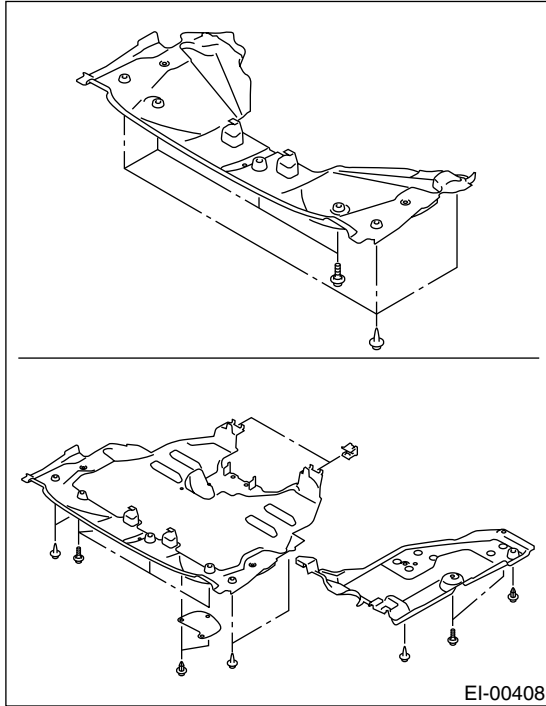
Make sure that there is no abnormal gap at whole periphery of hood grille.

Make sure that there is no damage on hood grille.

4. Front Under Cover

A: REMOVAL

- 1) Lift-up the vehicle.
- 2) Loosen the bolts and clips to remove the under cover.



B: INSTALLATION

Install in the reverse order of removal.

Tightening torque:

14 N·m (1.42 kgf·m, 10.3 ft·lb)

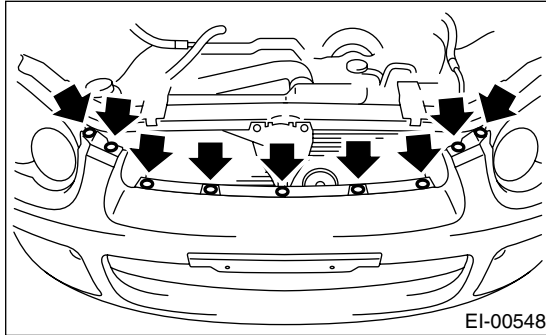
Front Bumper

EXTERIOR/INTERIOR TRIM

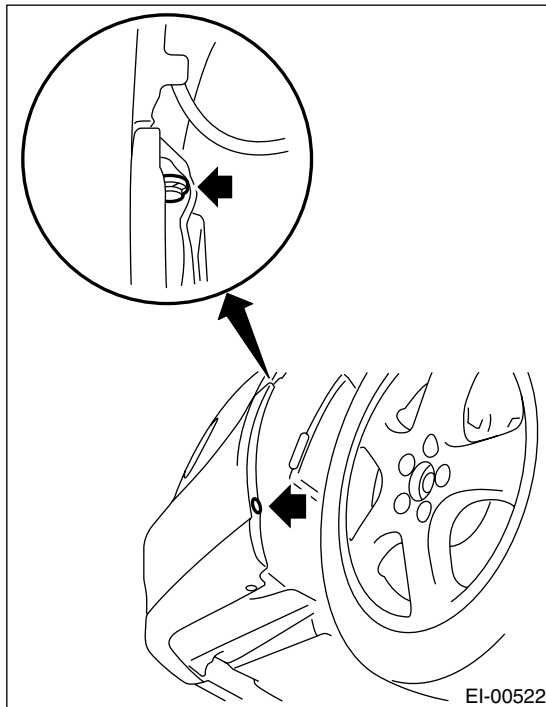
5. Front Bumper

A: REMOVAL

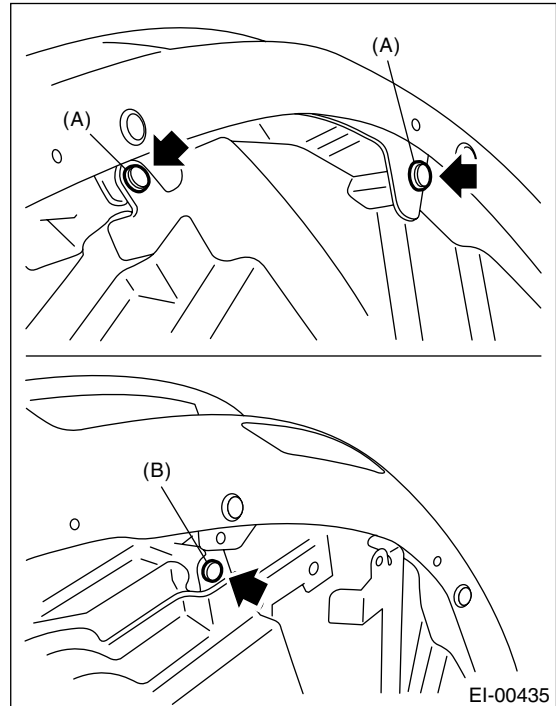
- 1) Disconnect the ground cable from battery.
- 2) Remove the front grille. <Ref. to EI-18, REMOVAL, Front Grille.>
- 3) Remove the nine clips on the upper part of bumper.



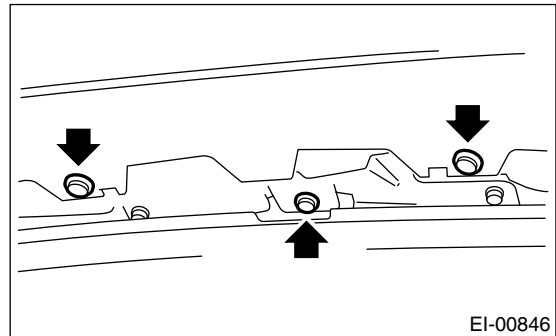
- 4) Turn over the mud guard, and then remove the clips, which secure the front bumper to fender.



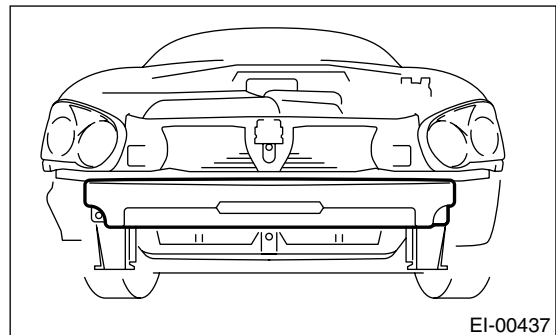
- 5) Remove the two clips (A), turn over the mud guard, and then remove the clip (B). (Same procedure on the right side.)



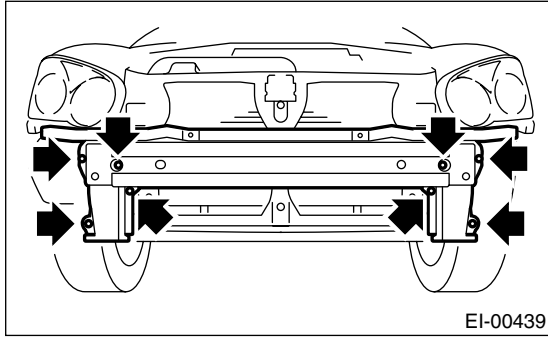
- 6) Remove the three clips in the center part of bumper.



- 7) Remove the fog light. <Ref. to LI-19, REMOVAL, Front Fog Light Assembly.>
- 8) Remove the bumper from body.
- 9) Remove the energy absorber foam.

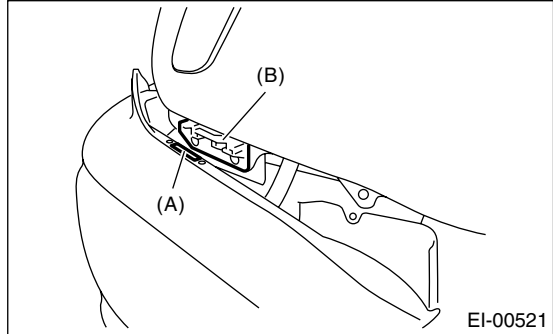


10) Loosen the bolt and nut, and then remove the bumper beam from body.



B: INSTALLATION

- 1) Install in the reverse order of removal.
- 2) Secure the slider (A) to guide plate (B).



Tightening torque:

Refer to **COMPONENT** in *General Description*.

<Ref. to EI-4, **FRONT BUMPER, COMPONENT, General Description.**>

C: REPAIR

1. COATING METHOD FOR PP BUMPER

Process No.	Process name	Job contents	
1	Bumper mounting	Set the bumper on paint worktable if required. Use paint worktable conforming to inner shape of bumper when possible.	<p>(1) Bumper (2) Set bumper section</p> <p>EI-00234</p>
2	Masking	Mask specified part (black base) with masking tape. Use masking tape for PP (example, Nichiban No. 533, etc.).	
3	Degreasing, cleaning	Clean all parts to be painted with white gasoline, normal alcohol, etc. to remove dirt, oil, fat, etc.	
4	Primer paint	Apply primer one to all parts to be painted, using air gun. Use primer (clear).	
5	Drying	Dry at normal temperature [10 to 15 min. at 20°C (68°F)]. In half-dried condition, PP primer paint is dissolved by solvent, e.g. thinner, etc. Therefore, if dust or dirt must be removed, use ordinary alcohol, etc.	

Front Bumper

EXTERIOR/INTERIOR TRIM

Process No.	Process name	Job contents	
		Solid color	Metallic color
6	Top coat paint (I)	Use section (block) paint for top coat. • Paint in use (for each color): Solid paint Hardener PB Thinner T-301 • Mixing ratio: Main agent vs. hardener = 4:1 • Viscosity: 10 — 13 sec/20°C (68°F) • Film thickness: 35 — 45 μ • Spraying pressure: 245 — 343 kPa (2.5 — 3.5 kg/cm ² , 36 — 50 psi)	Use section (block) paint for top coat. • Paint in use (for each color): Metallic paint Hardener PB Thinner T-306 • Mixing ratio: Main agent vs. hardener = 10:1 • Viscosity: 10 — 13 sec/20°C (68°F) • Film thickness: 15 — 20 μ • Spraying pressure: 245 — 343 kPa (2.5 — 3.5 kg/cm ² , 36 — 50 psi)
7	Drying	Not required.	Dry at normal temperature [10 min. or more at 20°C (68°F)]. In half-dried condition, avoid dust, dirt.
8	Top coat paint (II)	Not required.	Apply a clear coat to parts with top coat paint (I), three times, at 5 — 7 minutes intervals. • Paint in use: Metallic paint Hardener PB Thinner T-301 • Mixing ratio: Clear vs. hardener = 6:1 • Viscosity: 14 — 16 sec/20°C (68°F) • Film thickness: 25 — 30 μ • Spraying pressure: 245 — 343 kPa (2.5 — 3.5 kg/cm ² , 36 — 50 psi)
9	Drying	60°C (140°F), 60 min. or 80°C (176°F), 30 min. If higher than 80°C (176°F), PP may be deformed. Keep maximum temperature of 80°C (176°F).	
10	Inspection	Paint check.	
11	Masking removal	Remove the masking in process No. 2.	

2. REPAIR INSTRUCTIONS FOR COLORED PP BUMPER

NOTE:

All PP bumpers are provided with a grained surface, and if the surface is damaged, it cannot normally be restored to its former condition. Damage limited to shallow scratches that cause only a change in the lustre of the base material or coating, can be almost fully restored. Before repairing a damaged area, explain this point to the customer and get an understanding about the matter. Repair methods are outlined below, based on a classification of the extent of damage.

1) Minor damage causing only a change in the lustre of the bumper due to a light touch
 Almost restorable.

Process No.	Process name	Job contents	
		Resin section	Coated section
1	Cleaning	Clean the area to be repaired using water.	
2	Sanding	Grind the repairing area with #500 sand paper in a “feathering” motion.	
3	Finish	Repeatedly apply wax to the affected area using a soft cloth (such as flannel). Recommended wax: NITTO KASEI Soft 99 TIRE WAX BLACK, or equivalent.	Perform either the same operation as for the resin section or process No. 18 and subsequent operations in the “3)” section, depending on the degree and nature of damage.
		Polish the waxed area with a clean cloth after 5 to 10 minutes.	

Front Bumper

EXTERIOR/INTERIOR TRIM

2) Deep damage caused by scratching fences, etc.

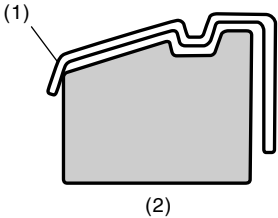
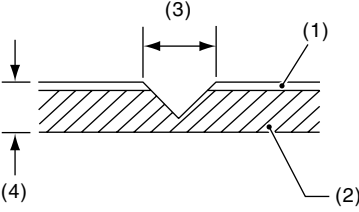
A dent cannot be repaired but a whitened or swelled part can be removed.

Process No.	Process name	Job contents
1	Cleaning	Clean the damaged area with water.
2	Removal of damaged area	Cut off protruding area, if any, due to collision, using a putty knife.
3	Sanding	Grind the affected area with #100 to #500 sand paper.
4	Finish	Resin section
		Coated section
		Same as Process No. 3 in the "1)" section.
		Perform Process No. 12 and subsequent operations in the "3)" section.

3) Deep damage such as a break or hole that requires filling

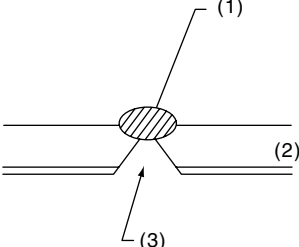
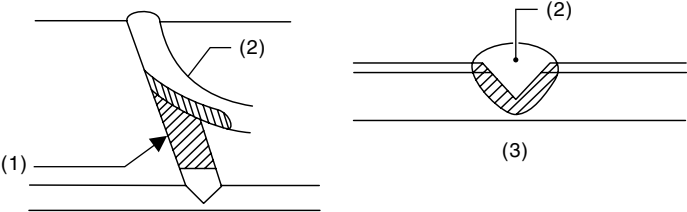
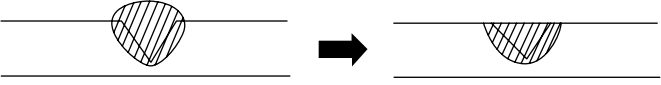
Much of the peripheral grained surface must be sacrificed for repair, and the degree of restoration is not really worth the expense. (The surface, however, will become almost flush with adjacent areas.)

Recommended repair kit: PP Part Repair Kit (NRM)

Process No.	Process name	Job contents
1	Bumper removal	Remove the bumper as required.
2	Part removal	Remove the parts built into bumper as required.
3	Bumper placement	Place the bumper on a paint worktable as required. It is recommended that contour of worktable accommodate internal shape of bumper.
		 <p style="text-align: right;">EI-00234</p> <p>(1) Bumper (2) Set bumper section</p>
4	Surface preparation	Remove dust, oil, etc. from areas to be repaired and surrounding areas, using a suitable solvent (NRM No. 900 Precleno, white gasoline, or alcohol).
5	Cutting	If nature of damage are cracks or holes, cut a guide slit of 20 to 30 mm (0.79 to 1.18 in) in length along the crack or hole up to the bumper's base surface. Then, bevel or "vee-out" the affected area using a knife or grinder.
		 <p style="text-align: right;">EI-00235</p> <p>(1) Paint surface (2) PP base surface (3) 20 — 30 mm (0.79 — 1.18 in) (4) 3 mm (0.12 in)</p>
6	Sanding (I)	Grind beveled surface with sand paper (#40 to #60) to smooth finish.
7	Cleaning	Clean the sanded surface with the same solvent as used in Process No. 4.

Front Bumper

EXTERIOR/INTERIOR TRIM

Process No.	Process name	Job contents
8	Temporary welding	<p>Grind the side just opposite the beveled area with sand paper (#40 to #60) and clean using a solvent. Temporarily spot-weld the side, using a PP welding rod and heater gun.</p> <div style="text-align: center;">  </div> <p style="text-align: right;">EI-00236</p> <p>(1) Welded spot (Use heater gun and PP welding rod) (2) PP base surface (3) Beveled section</p> <p>NOTE:</p> <ul style="list-style-type: none"> • Do not melt the welding rod until it flows out. This results in reduced strength. • Leave the welded spot unattended until it cools completely.
9	Welding	<p>Using a heater gun and PP welding rod, weld the beveled spot while melting the rod and damaged area.</p> <div style="text-align: center;">  </div> <p style="text-align: right;">EI-00237</p> <p>(1) Melt hatched area (2) Welding rod (3) Section</p> <p>NOTE:</p> <ul style="list-style-type: none"> • Melt the sections indicated by hatched area. • Do not melt the welding rod until it flows out, in order to provide strength. • Always keep the heater gun 1 to 2 cm (0.4 to 0.8 in) away from the welding spot. • Leave the welded spot unattended until it cools completely.
10	Sanding (II)	<p>Remove excess part of weld with a putty knife. If a drill or disc wheel is used instead of the knife, operate it at a rate lower than 1,500 rpm and grind the excess part little by little. A higher rpm will cause the PP substrate to melt from the heat.</p> <div style="text-align: center;">  </div> <p style="text-align: right;">EI-00042</p> <p>Sand the welded spot smooth with #240 sand paper.</p>
11	Masking	<p>Mask the black substrate section using masking tape. Recommended masking tape: Nichiban No. 533 or equivalent</p>
12	Cleaning/ degreasing	<p>Completely clean the entire coated area, using solvent similar to that used in Process No. 4.</p>
13	Primer coating	<p>Apply a coat of primer to the repaired surface and its surrounding areas. Mask these areas, if necessary. Recommended primer: Mp/ 364 PP Primer</p> <p>NOTE: Be sure to apply one coat of primer at a spraying pressure of 245 to 343 kPa (2.5 to 3.5 kg/cm², 36 to 50 psi) with a spray gun.</p>

Front Bumper

EXTERIOR/INTERIOR TRIM

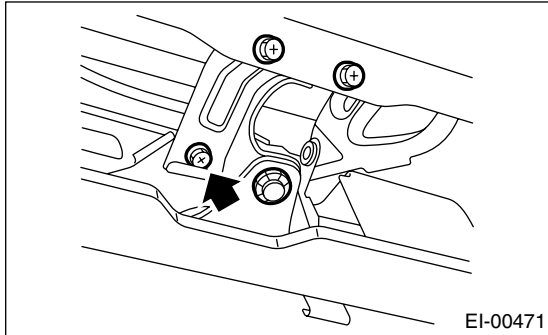
Process No.	Process name	Job contents	
14	Leave unattended.	Leave the repaired area unattended at 20°C (68°F) for 10 to 15 minutes until primer is half-dry. NOTE: If dirt or dust comes in contact with the coated area, wipe it off with a cloth impregnated with alcohol. (Do not use thinner since the coated area tends to melt.)	
15	Primer surfacer coating	Apply a coat of primer surfacer to the repaired area two or three times at an interval of 3 to 5 minutes. Recommended surfacer: <ul style="list-style-type: none"> • UPS 300 Flex Primer • No. 303 UPS 300 Exclusive hardener • NPS 725 Exclusive Reducer (thinner) • Mixing ratio: 2 : 1 (UPS 300: No. 303) • Viscosity: 12 — 14 sec/20°C (68°F) • Coated film thickness: 40 — 50 μ 	
16	Drying	Allow the coated surface to dry for 60 minutes at 20°C (68°F) [or 30 minutes at 60°C (140°F)].	
17	Sanding (III)	Sand the coated surface and its surrounding areas using #400 sand paper and water.	
18	Cleaning/degreasing	Same as Process No. 12.	
19	Top coat (I)	Solid color	Metallic color
		Use a “block” coating method. <ul style="list-style-type: none"> • Recommended paint: Suncryl (SC) • No. 307 Flex Hardener • SC Reducer (thinner) • Mixing ratio: 3 : 1 • Suncryl (SC) vs. No. 307 Flex Hardener • Viscosity: 11 — 13 sec/20°C (68°F) • Coated film thickness: 40 — 50 μ • Spraying thickness: 245 — 343 kPa (2.5 — 3.5 kg/cm², 36 — 50 psi) 	Use a “block” coating method. <ul style="list-style-type: none"> • Recommended paint: Suncryl (SC) • No. 307 Flex Hardener • SC Reducer (thinner) • Mixing ratio: 3 : 1 • Suncryl (SC) vs. No. 307 Flex Hardener • Viscosity: 11 — 13 sec/20°C (68°F) • Coated film thickness: 20 — 30 μ • Spraying thickness: 245 — 343 kPa (2.5 — 3.5 kg/cm², 36 — 50 psi)
20	Leave unattended.	Not required.	Leave unattended at 20°C (68°F) for at least 10 minutes until the topcoated area is half-dry. NOTE: Be careful to keep dust or dirt from coming in contact with the affected area.
21	Top coat (II)	Not required.	Apply a clear coat three times at an interval of 3 to 5 minutes. <ul style="list-style-type: none"> • Recommended paint: SC710 Overlay Clear • No. 307 Flex Hardener • SC Reducer (thinner) • Mixing ratio: 3 : 1 • Suncryl (SC) vs. No. 307 Flex Hardener • Viscosity: 10 — 13 sec/20°C (68°F) • Coated film thickness: 20 — 30 μ • Spraying pressure: 245 — 343 kPa (2.5 — 3.5 kg/cm², 36 — 50 psi)
22	Drying	Allow the coated surface to dry at 20°C (68°F) for two hours or 60°C (140°F) for 30 minutes. NOTE: Do not allow the temperature to exceed 80°C (176°F) since this will deform the PP substrate.	
23	Inspection	Carefully check the condition of the repaired area.	
24	Masking removal	Remove the masking tape applied in Process No. 11 and 13.	
25	Parts installation	Install the parts on bumper in reverse order of removal.	
26	Bumper installation	Install the bumper.	

6. Rear Bumper

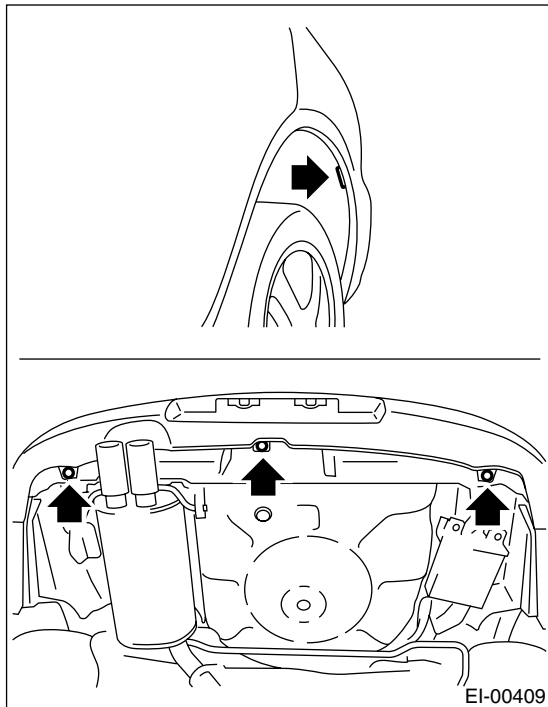
A: REMOVAL

1. WAGON MODEL

- 1) Disconnect the ground cable from battery.
- 2) Remove the bolt of license plate bracket. (model without bumper beam)

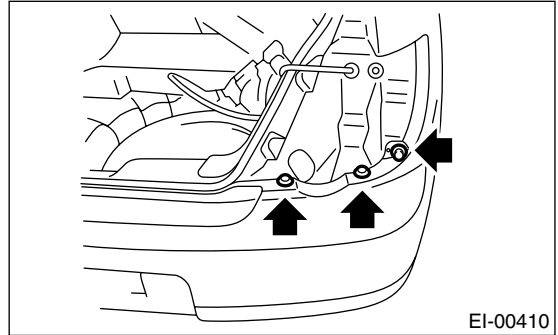


- 3) Remove the bolts inside wheel house (both sides), and the clips on lower side of bumper.

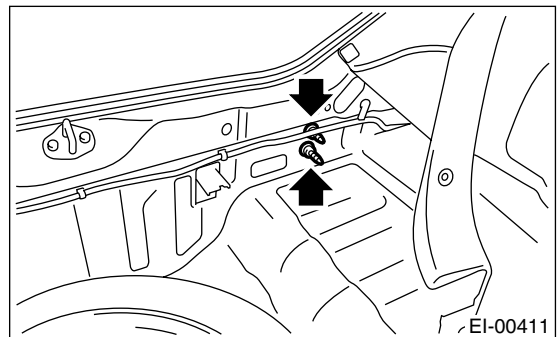


- 4) Remove the rear combination light assembly. <Ref. to LI-21, REMOVAL, Rear Combination Light Assembly.>

- 5) Remove the screw and two clips (both sides).

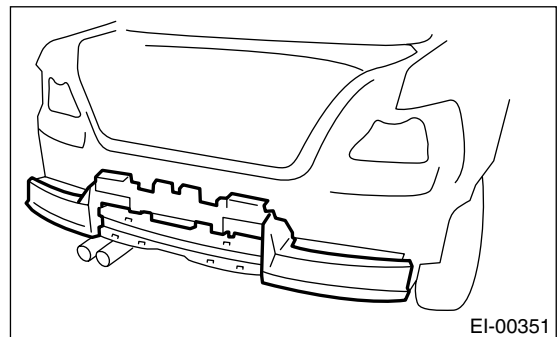


- 6) Remove the floor box.
- 7) Remove the rear skirt trim.
- 8) Turn over the rear quarter lower trims on both sides, and then loosen the four nuts.



- 9) Disconnect the license plate light connector, and then remove the rear bumper.
- 10) Remove the energy absorber form from bumper beam. (model with bumper beam)

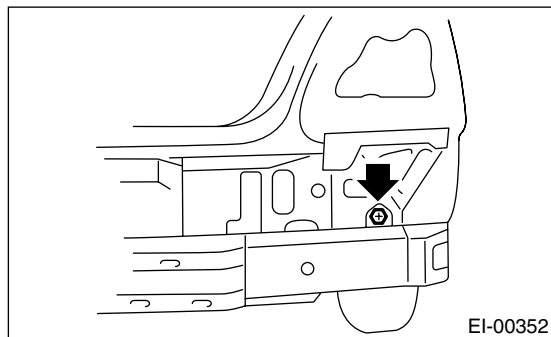
CAUTION:
Energy absorber form may easily break. Do not apply excessive force to it during removal.



Rear Bumper

EXTERIOR/INTERIOR TRIM

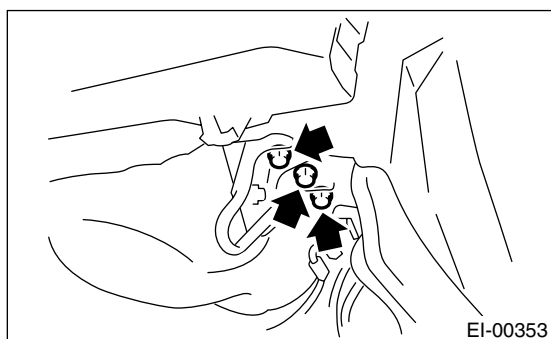
11) Remove the bolt. (model with bumper beam)



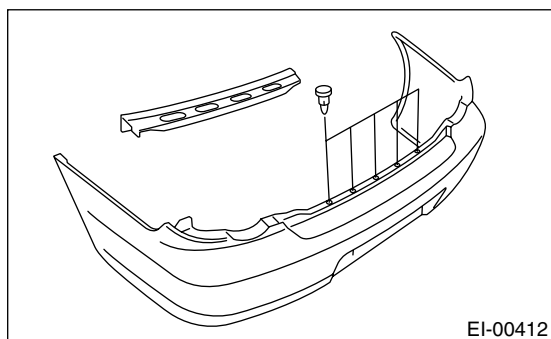
12) Remove the three bolts, then remove the bumper beam. (model with bumper beam)

NOTE:

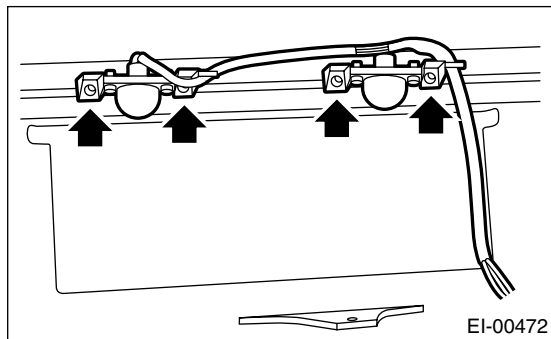
In the case of right side, remove the canister first. Loosen the bolt, and then remove the bumper beam.



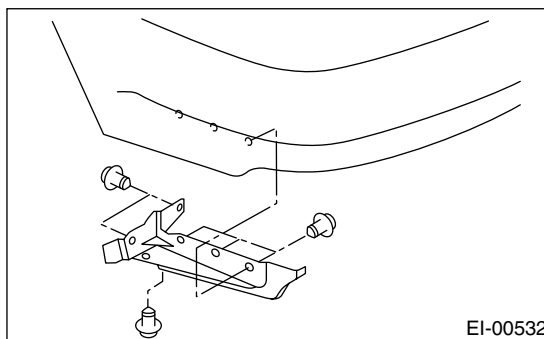
13) Remove the five clips, and then remove the bumper upper beam.



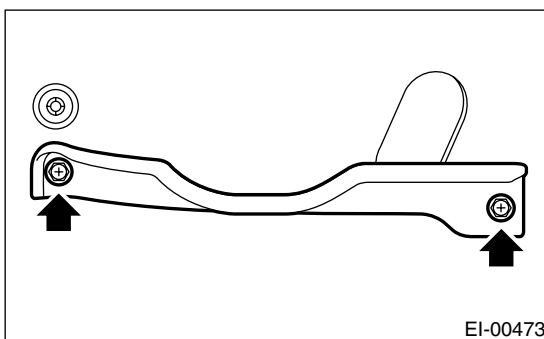
14) Remove the license plate light.



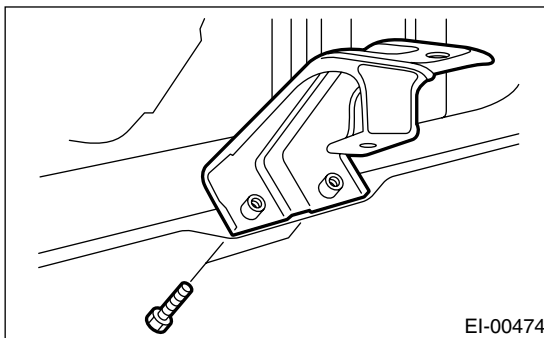
15) Remove the six clips, and then remove the bumper side cover.



16) Remove the corner bracket from body.



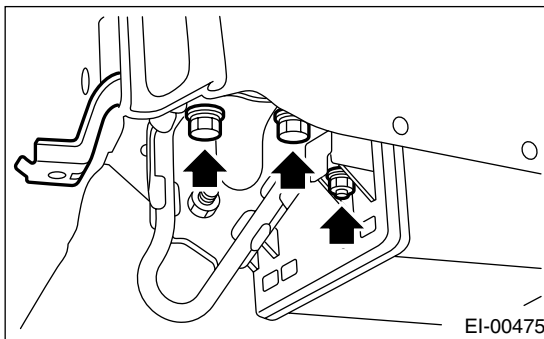
17) Remove the lower bracket (center) from body. (model without bumper beam)



18) Loosen the three bolts, and then remove the lower bracket (side). (model without bumper beam)

NOTE:

On the right side, after removing the canister, loosen the bolts and remove the lower bracket.



2. SEDAN MODEL

Refer to description about removal of rear bumper of wagon model. <Ref. to EI-28, WAGON MODEL, REMOVAL, Rear Bumper.>

B: INSTALLATION

1. WAGON MODEL

Install in the reverse order of removal.

Tightening torque:

Refer to COMPONENT in General Description.

<Ref. to EI-5, REAR BUMPER.>

2. SEDAN MODEL

Install in the reverse order of removal.

Tightening torque:

Refer to COMPONENT in General Description.

<Ref. to EI-5, REAR BUMPER.>

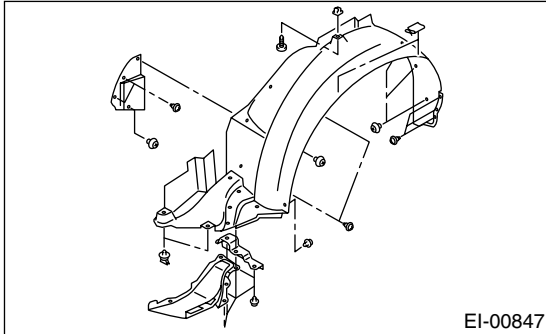
C: REPAIR

Refer to description about repair of front bumper. <Ref. to EI-22, REMOVAL, Front Bumper.>

7. Mud Guard

A: REMOVAL

- 1) Jack-up the vehicle.
- 2) Remove the screws and clips to remove mud guard.



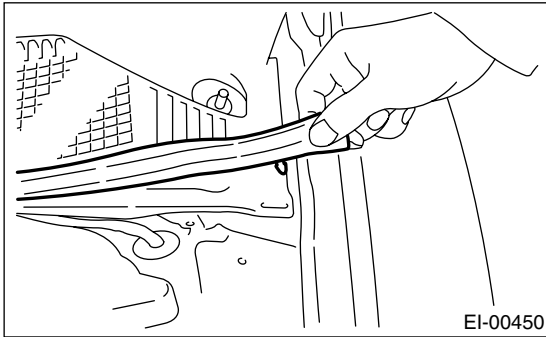
B: INSTALLATION

Insert the hook into body, and tighten it with screw and clip.

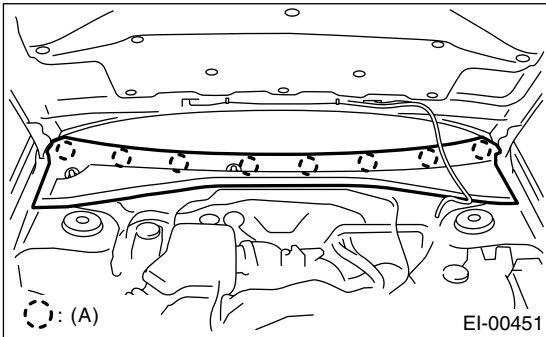
8. Cowl Panel

A: REMOVAL

- 1) Open the front hood.
- 2) Remove the wiper arm. <Ref. to WW-12, REMOVAL, Front Wiper Arm.>
- 3) Remove the front panel seal.



- 4) Disengage the clips (A) to remove the cowl panel.



B: INSTALLATION

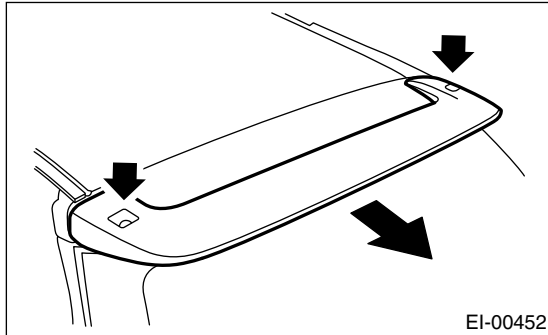
Install in the reverse order of removal.

9. Roof Spoiler

A: REMOVAL

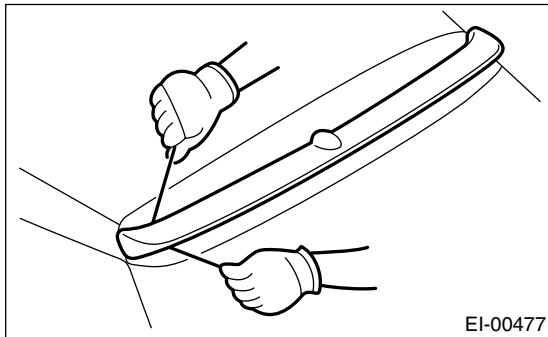
1. LARGE-SIZED ROOF SPOILER

- 1) Remove the bolt cap, and then remove the two bolts.
- 2) Remove the roof spoiler.



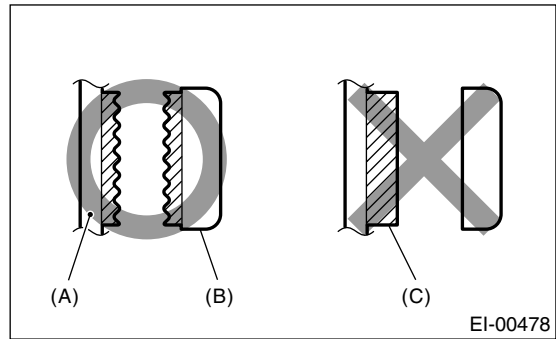
2. SMALL-SIZED ROOF SPOILER

- 1) Slide in a thin thread of 0.8 mm (0.031 in) diameter or less (fishing line etc.) between body and spoiler, and then remove the spoiler detaching double-sided tape.



NOTE:

- To optimize the effect of solvent, slide the thread along the body without removing the double-sided tape on surface of body and spoiler.
- If it is difficult to detach the double-sided tape, warm up to approx. 40°C (104°F).
- If the double-sided tape remains thick on surface due to interfacial peeling, apply the solvent after slicing off the double-sided tape using a cutter.



- (A) Panel
- (B) Spoiler
- (C) Double-sided tape

- 2) Adhere the masking tape around the double-sided tape remaining on surface of body and spoiler.
- 3) Apply the solvent uniformly on double-sided tape using a brush.

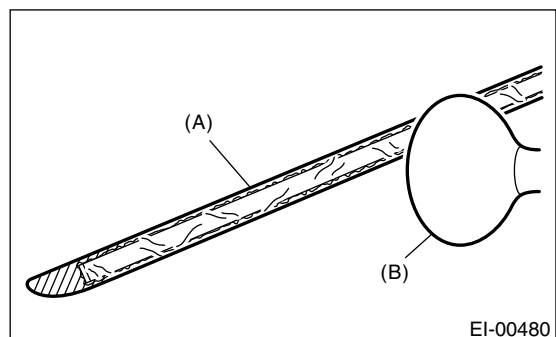
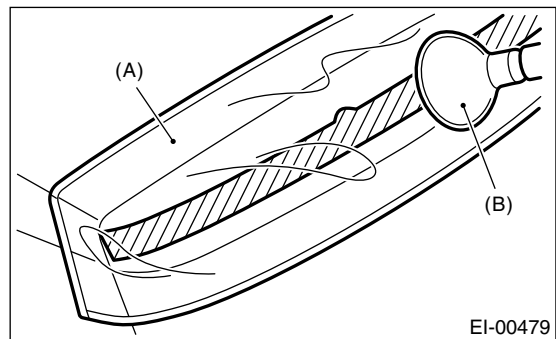
CAUTION:

- Do not use the solvent to body which is repaired with lacquer paint.
- Wipe off immediately when the solvent is touched on surface of body and spoiler.

Solvent:

3M 8907 or equivalent

- 4) Cover the area where solvent is applied using plastic wrap (A), and then heat the double-sided tape for 5 to 10 minutes in 40 to 60°C (104 to 140°F) using a heat lamp (B).



Roof Spoiler

EXTERIOR/INTERIOR TRIM

CAUTION:

Do not heat the double-sided tape until the surface becomes white and excessively dried.

5) Remove the double-sided tape using a plastic spatula.

6) After completely removing the double-sided tape, detach the masking tape and clean the surface using a cotton cloth waste damped with white gasoline.

B: INSTALLATION

1. LARGE-SIZED ROOF SPOILER

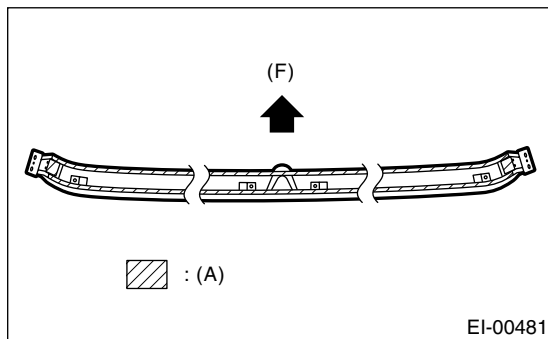
Install in the reverse order of removal.

Tightening torque:

7.4 N·m (0.75 kgf·m, 5.46 ft·lb)

2. SMALL-SIZED ROOF SPOILER

1) Apply the primer to spoiler surface where the double-sided tape is adhered, and then adhere the double-sided tape as shown in the figure.



(F) Front side

(A) Double-sided tape; thickness:
0.8 mm (0.031 in), width: 5 mm (0.197 in)

Primer:

3M K-500 or equivalent

Double-sided tape:

3M 5531-5 or equivalent

2) Heat the adhering part using a heat lamp.

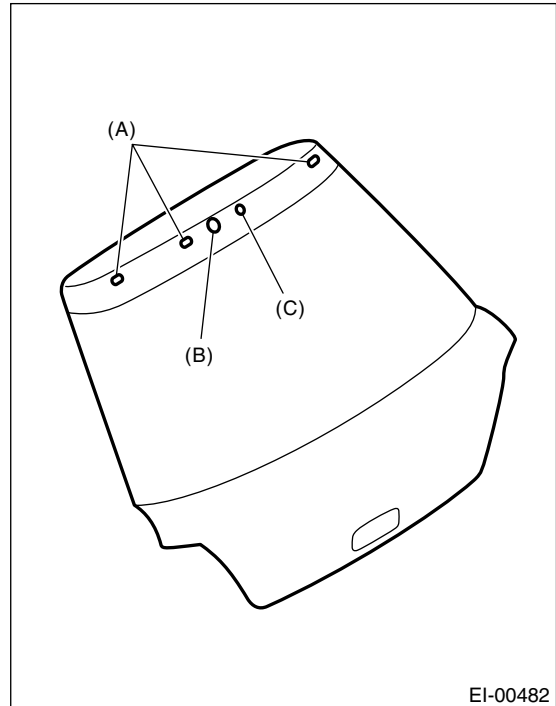
Body side: 40 — 60°C (104 — 140°F)

Spoiler side: 20 — 30°C (68 — 86°F)

3) Detach the double-sided tape backing sheet, align to clip position, and then adhere to body using care to avoid air entering.

CAUTION:

To keep the adhesion, do not wash the vehicle within 24 hours.



(A) Cap oblong hole

(B) Washer nozzle

(C) Cap round hole

10.Rear Spoiler

A: REMOVAL

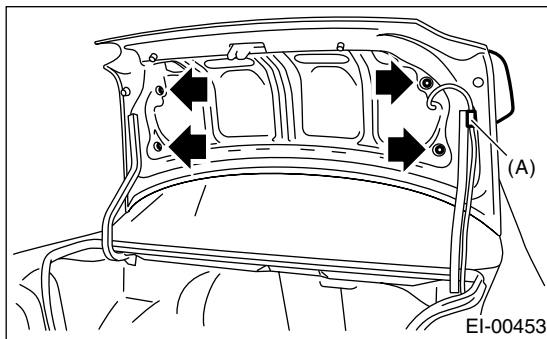
- 1) Disconnect the ground cable from battery.
- 2) Open the trunk lid.
- 3) Remove the electrical connector (A) of high mount stop light.
- 4) Loosen the mounting nut of rear spoiler to remove rear spoiler.

CAUTION:

- When removing the nut, do not drop it into trunk lid.
- Pay attention to avoid damage during removal or installation.

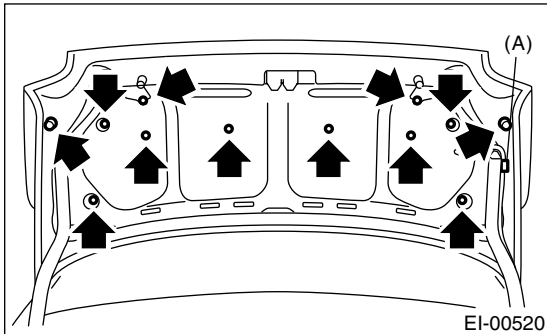
Small-sized rear spoiler:

Four tightening positions



Large-sized rear spoiler:

Twelve tightening positions



B: INSTALLATION

- 1) Install in the reverse order of removal.
- 2) Clean the mounting surfaces of trunk lid and spoiler before installation.

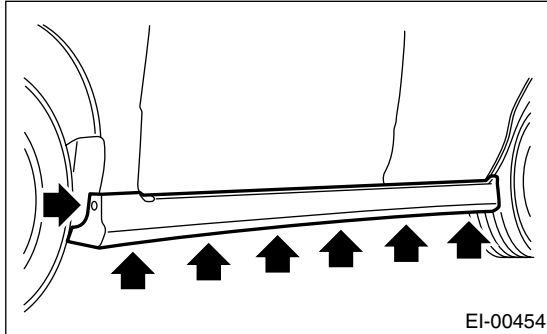
Tightening torque:

7.4 N·m (0.75 kgf-m, 5.46 ft-lb)

11.Side Sill Spoiler

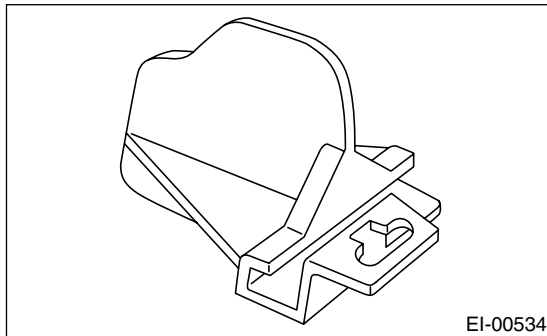
A: REMOVAL

Remove the clips (one on front fender arch, six on bottom of side sill spoiler), then remove the side spoiler.



NOTE:

Some vehicle have a clip to retain the splash board together with side sill spoiler (forward of rear tire) at rearmost end.



B: INSTALLATION

Install in the reverse order of removal.

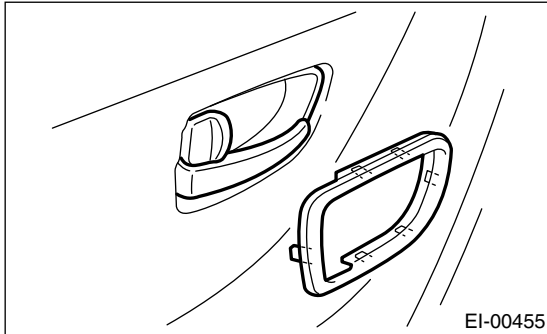
12. Front Door Trim

A: REMOVAL

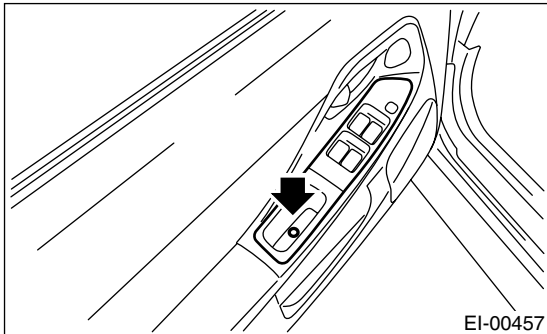
CAUTION:

Do not apply excessive force to the clip. Otherwise the clip may be broken.

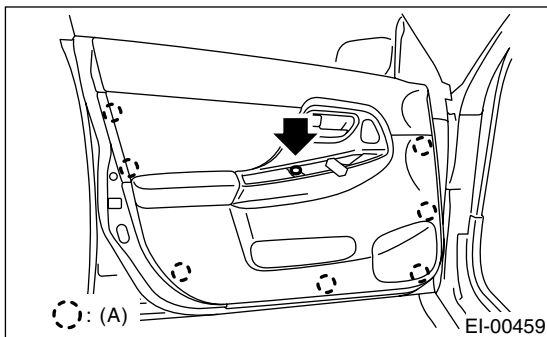
- 1) Disconnect the ground cable from battery.
- 2) Pull the inner remote cover toward you to remove upper hook. Pull down it to remove the lower hook. Remove the inner remote cover.



- 3) Remove the screw.
 - 4) Remove the power window switch assembly and disconnect the harness connector. (for models with power window)
- Remove the pull handle and panel. (for models without power window)



- 5) Remove the screw.
- 6) Remove the clips (A) of trim panel using clip remover to remove the trim panel.



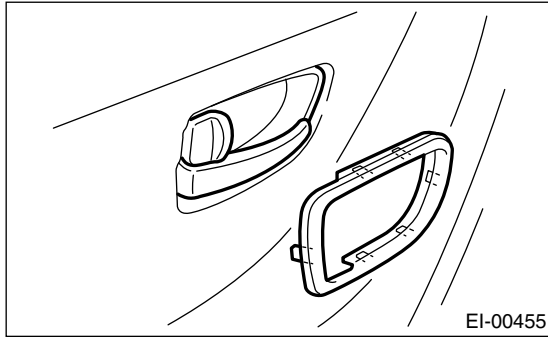
13.Rear Door Trim

A: REMOVAL

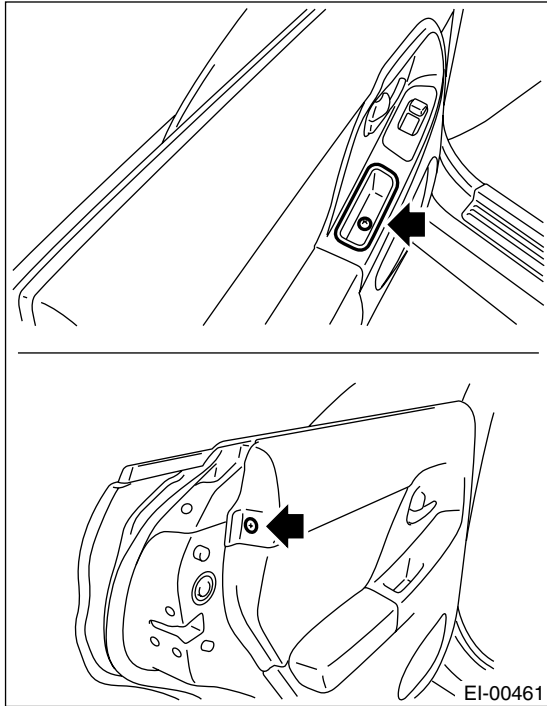
CAUTION:

Do not apply excessive force to the clip. Otherwise the clip may be broken.

- 1) Disconnect the ground cable from battery.
- 2) Pull the inner remote cover toward you to remove upper hook. Pull down it to remove the lower hook. Remove the inner remote cover.

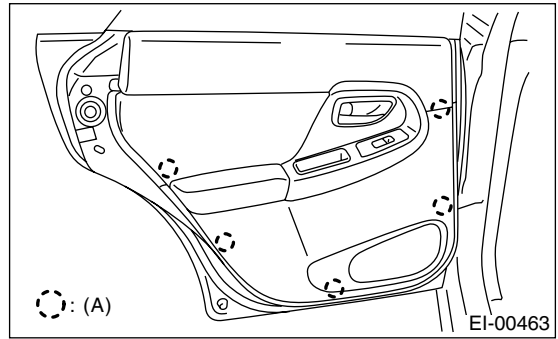


- 3) Remove the screw and clip.



- 4) Remove the clips (A) of trim panel using clip remover to remove the trim panel.

- 5) Disconnect the power window harness connector. (for models with power window)



(A) Clip

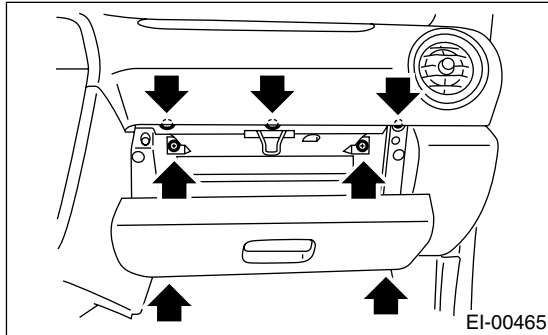
B: INSTALLATION

Install in the reverse order of removal.

14. Glove Box

A: REMOVAL

- 1) Open the glove box.
- 2) Loosen the screws to remove the glove box.



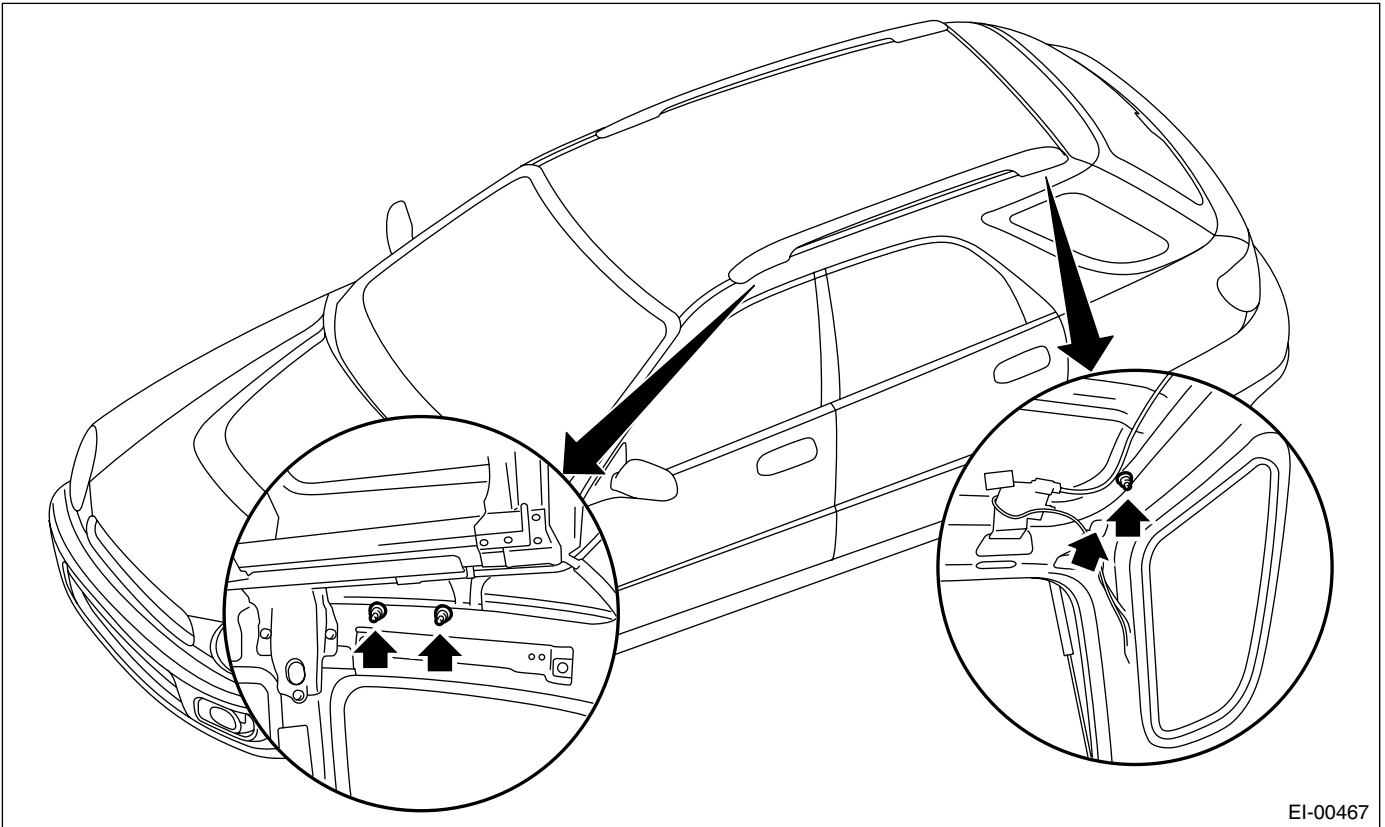
B: INSTALLATION

Install in the reverse order of removal.

15. Roof Rail

A: REMOVAL

- 1) Remove the roof trim. <Ref. to EI-50, REMOVAL, Roof Trim.>
- 2) Remove the four mounting nuts, and then detach the roof rail carefully.



EI-00467

B: INSTALLATION

Install in the reverse order of removal.

CAUTION:

Be careful not to scratch the body panels with roof rail stud bolts when removing and installing them.

Tightening torque:

7.4 N·m (0.75 kgf·m, 5.46 ft·lb)

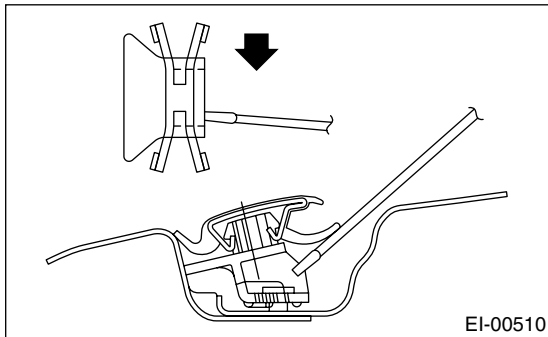
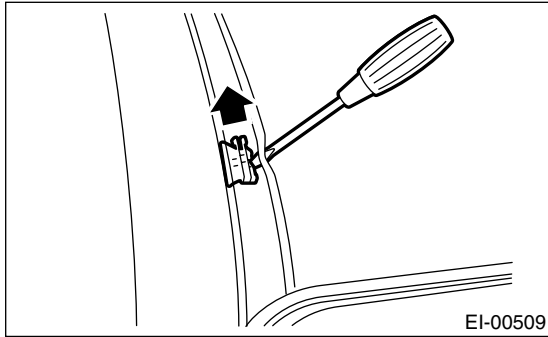
16. Roof Molding

A: REMOVAL

1) Turn over the edge of roof molding, and then remove it by sliding the internal clip using a flat tip screwdriver.

RH: Slide the molding toward the rear side of vehicle.

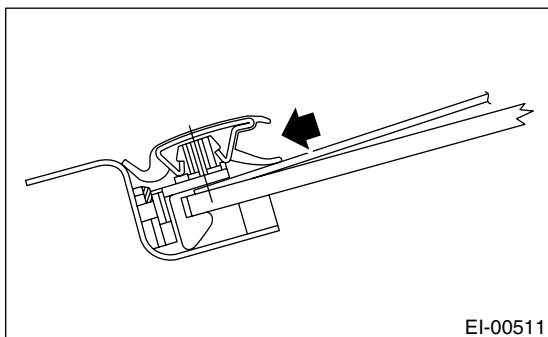
LH: Slide the molding toward the front side of vehicle.



Sedan model: six clips

Wagon model: eight clips

2) For sedan model, remove four clips of rear pillar. Turn over the roof molding on rear glass side, insert a board of about 0.5 mm (0.020 in) thickness into clearance between roof molding and glass, and then remove the claw of internal clip.

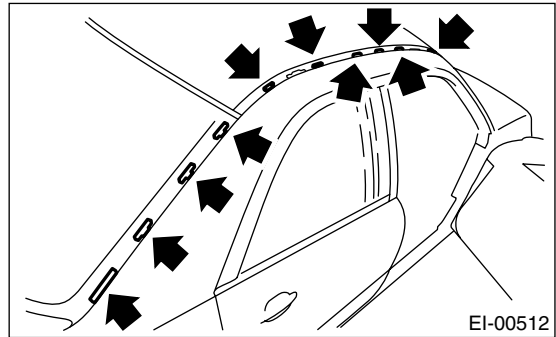


B: INSTALLATION

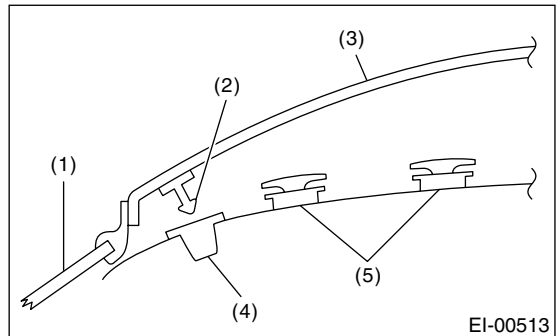
1) Remove the clip of roof and rear pillar (sedan model) from roof molding, and then install it to body side.

CAUTION:

Make sure to replace the clips broken when removing the roof molding with new ones.



2) Put the front edge of roof molding onto front window molding, and insert the front locating pin into body side cap.



(1) Front window

(2) Locating pin

(3) Roof molding

(4) Cap

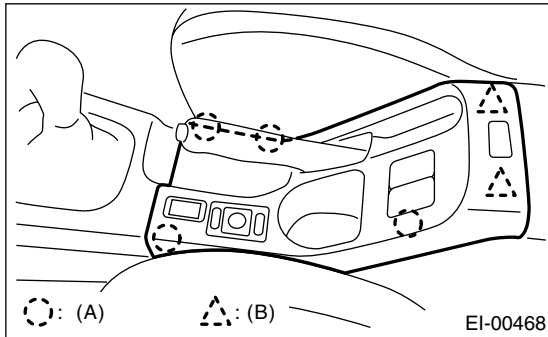
(5) Clip (roof)

3) Install the roof molding to body, by pushing the roof molding from above being careful not to deform it.

17. Console Box

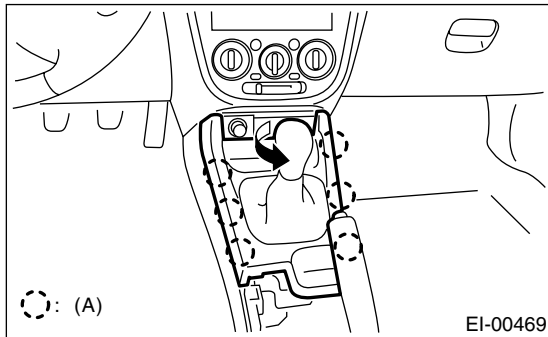
A: REMOVAL

- 1) Disconnect the ground cable from battery.
- 2) Remove the console cover.



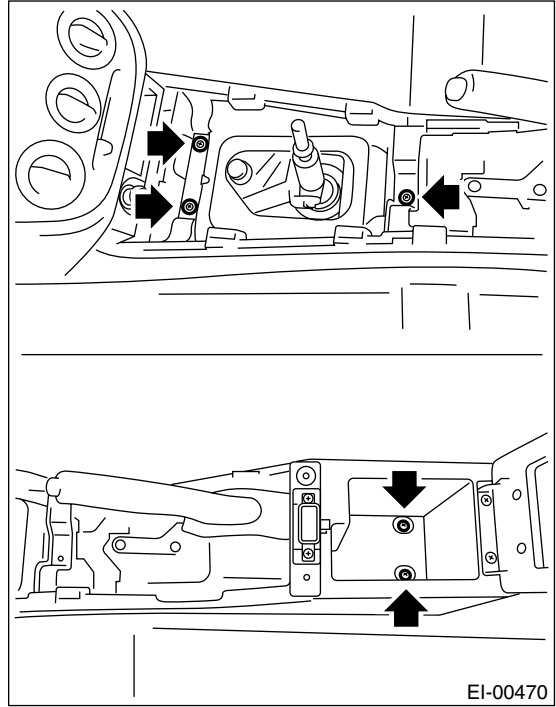
- (A) Hook pawl
- (B) Clip

- 3) Remove the shift knob (MT model) and front cover.



- (A) Hook pawl

- 4) Loosen the screws to remove the console box.



B: INSTALLATION

Install in the reverse order of removal.

18. Instrument Panel Assembly

A: REMOVAL

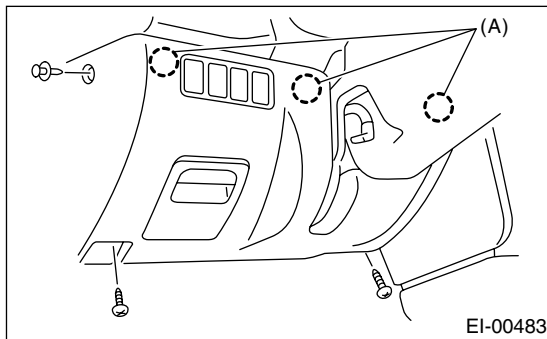
CAUTION:

- All airbag system wiring harness and connectors are colored yellow. Do not use electrical equipment on these circuits.
- Be careful not to damage the airbag system harness when servicing the instrument panel.

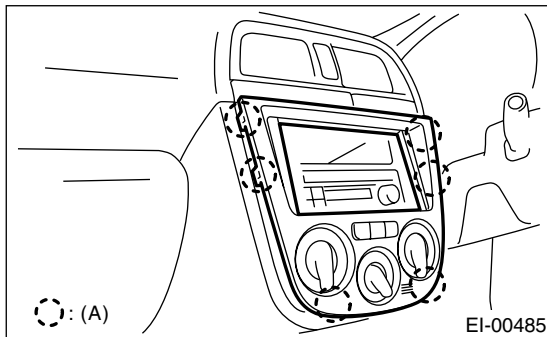
NOTE:

The following illustrations are for LHD model. The locations for RHD model are symmetrically opposite.

- 1) Disconnect the ground cable from battery.
- 2) Loosen the screws, remove the clip (A), disconnect the connectors, and then remove the instrument panel lower cover.

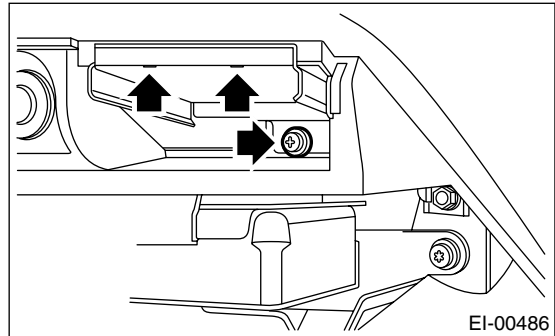


- 3) Remove the clip (A), and then remove the center console panel.

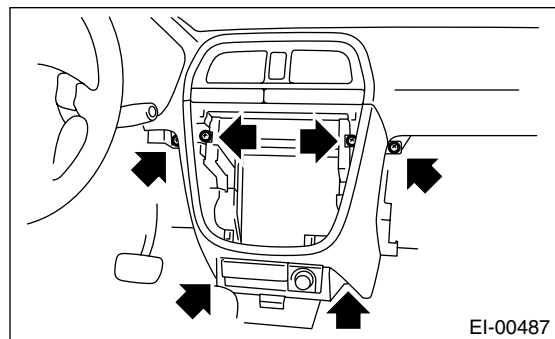


- 4) Remove the glove box. <Ref. to EI-39, REMOVAL, Glove Box.>
- 5) Remove the passenger's airbag module. <Ref. to AB-13, Passenger's Airbag Module.>

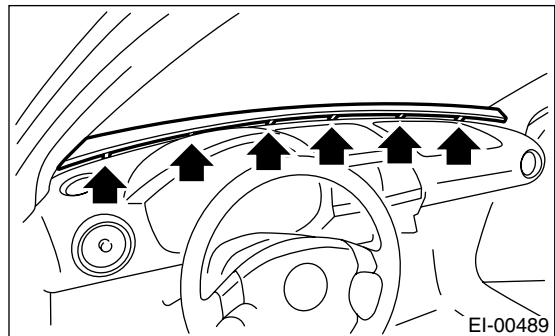
- 6) Remove the ash tray, and then remove the three screws.



- 7) Loosen the four screws and two nuts, and then remove the lower console panel.

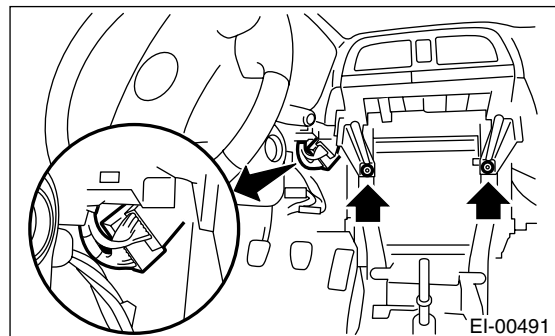


- 8) Remove the hook, and then remove the defroster panel.



- 9) Remove the front pillar upper trim. <Ref. to EI-46, REMOVAL, Upper Inner Trim.>

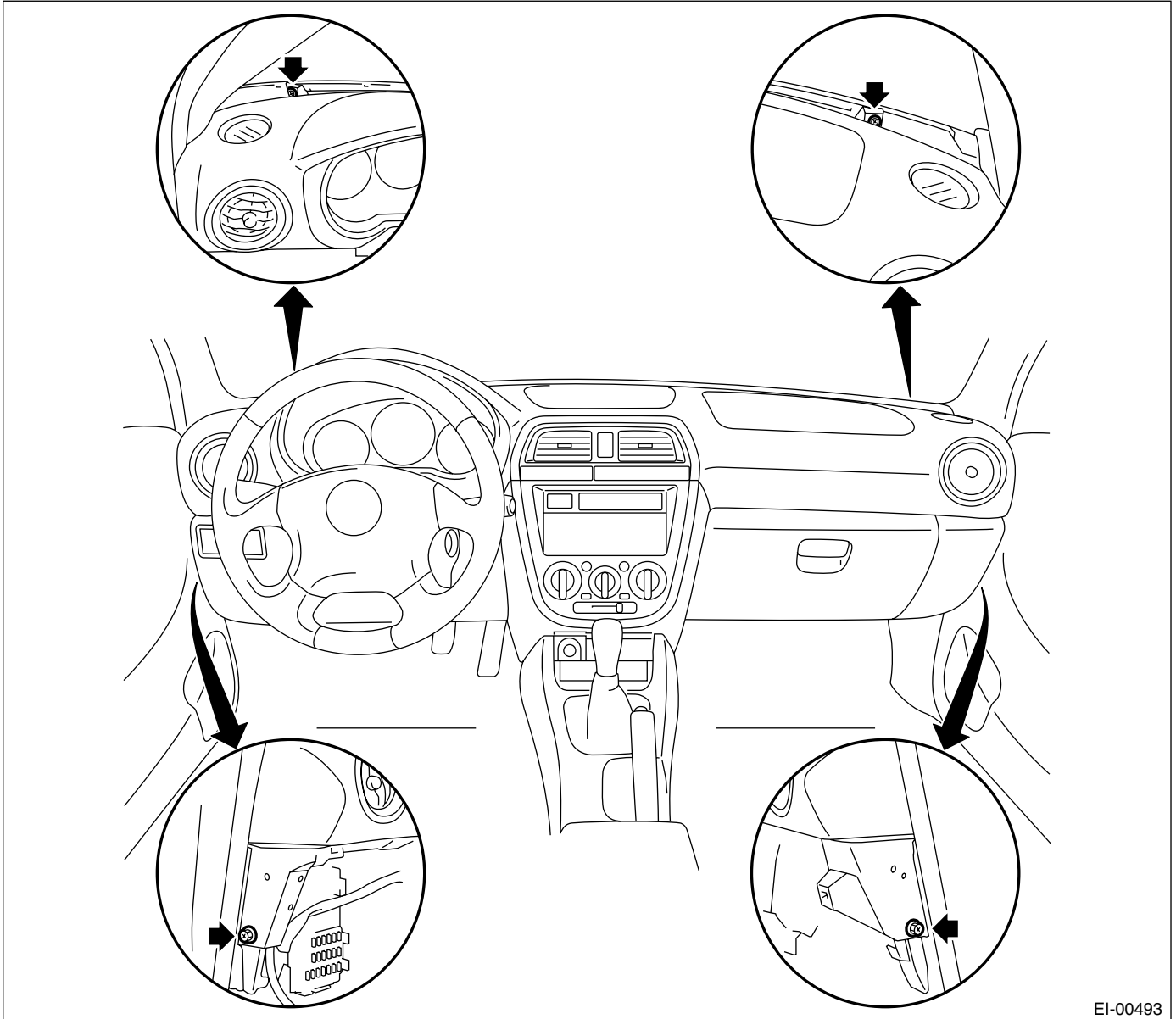
- 10) Disconnect the two connectors, and then loosen the nuts.



Instrument Panel Assembly

EXTERIOR/INTERIOR TRIM

11) Remove the instrument panel installation bolts.



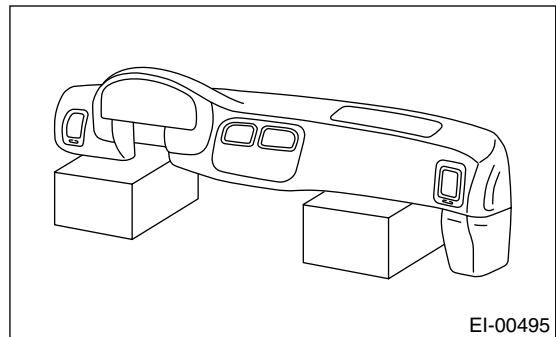
EI-00493

12) Check that all the harness is disconnected, and then remove the instrument panel from vehicle.

NOTE:

- Put alignment marks as necessary, in order to facilitate the reassembly.

- When storing the removed instrument panel, place it standing up on the floor.



EI-00495

B: INSTALLATION

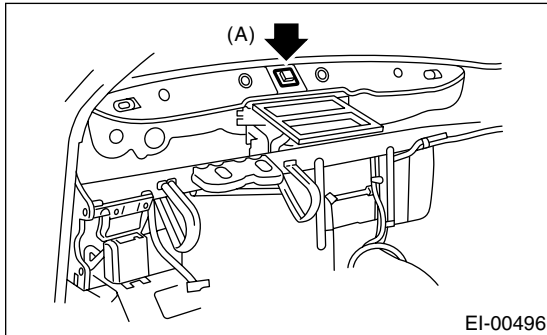
CAUTION:

- Be careful not to snag the harness.
- Carry out installation checking that the harness is connected correctly.
- When setting the instrument panel into vehicle, do not damage trim panels.

Install in the reverse order of removal.

NOTE:

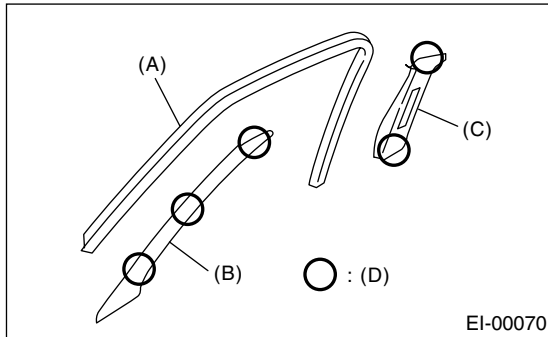
When installing the instrument panel into position, push the hook into grommet (A) on the body panel. After tightening the bolts, recheck the installation.



19.Upper Inner Trim

A: REMOVAL

- 1) Remove the lower inner trim. <Ref. to EI-47, REMOVAL, Lower Inner Trim.>
- 2) Remove the front molding (A).
- 3) Remove the front pillar upper trim (B).
- 4) Detach the front seat belt shoulder anchor, and then remove the center pillar upper trim (C).



(D) Clip

B: INSTALLATION

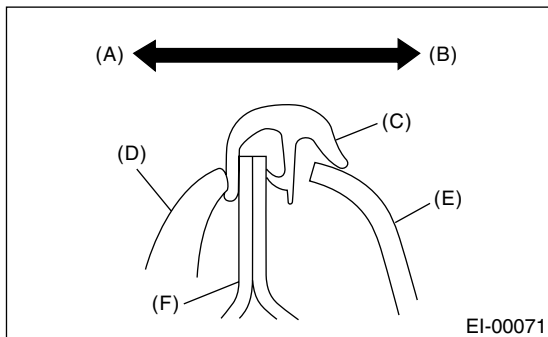
Install in the reverse order of removal.

CAUTION:

Be sure to securely hook pawls of inner trim panel to body flange.

NOTE:

When installing the center pillar upper trim and front pillar upper trim, be sure to set the front molding as shown in the figure.

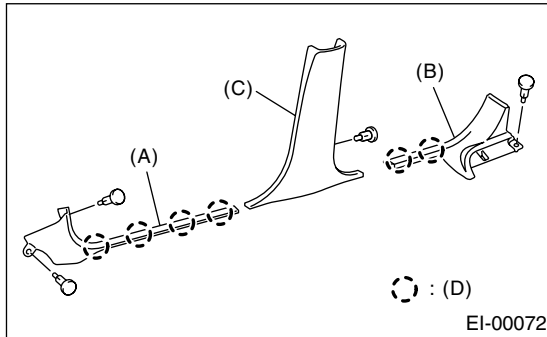


- (A) Outside
- (B) Inside
- (C) Molding
- (D) Weather strip
- (E) Trim
- (F) Body

20. Lower Inner Trim

A: REMOVAL

- 1) Remove the side sill front cover (A).
- 2) Remove the rear seat cushion <Ref. to SE-13, REMOVAL, Rear Seat.>, and then remove side sill rear cover (B).
- 3) Remove the center pillar lower trim (C).



(D) Clip

B: INSTALLATION

Install in the reverse order of removal.

CAUTION:

Be sure to securely hook pawls of inner trim panel to body flange.

Rear Quarter Trim

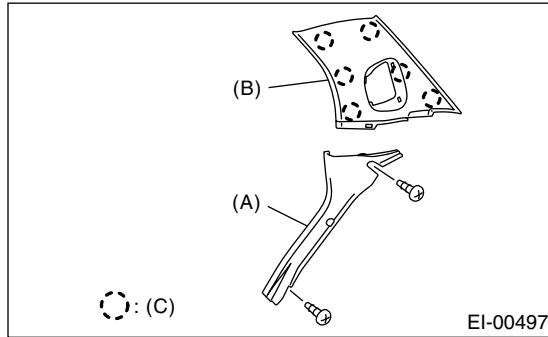
EXTERIOR/INTERIOR TRIM

21. Rear Quarter Trim

A: REMOVAL

1. SEDAN MODEL

- 1) Remove the rear seat. <Ref. to SE-13, REMOVAL, Rear Seat.>
- 2) Remove the side sill rear cover. <Ref. to EI-47, REMOVAL, Lower Inner Trim.>
- 3) Remove the rear pillar lower cover (A).
- 4) Remove the seatbelt lower anchor bolt, and then remove the rear pillar upper trim (B).

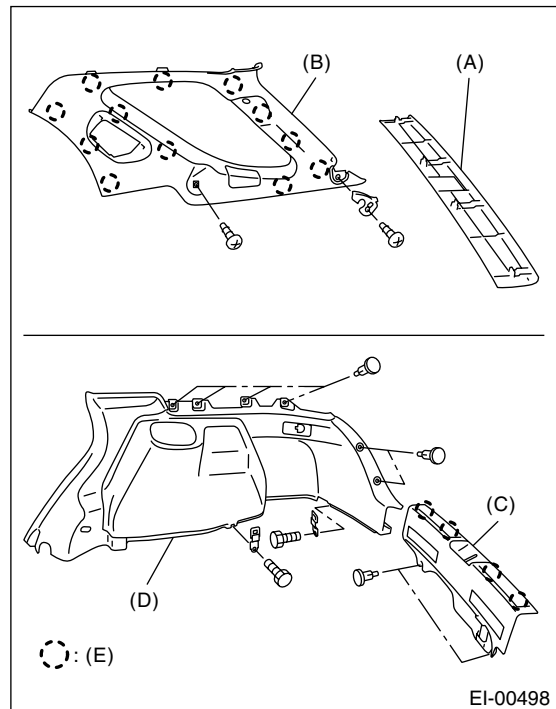


(C) Clip

2. WAGON MODEL

- 1) Remove the rear seat. <Ref. to SE-13, REMOVAL, Rear Seat.>
- 2) Remove the side sill rear cover.
- 3) Remove the rear rail trim (A).
- 4) Loosen the screws and clips to remove the rear quarter upper trim (B).
- 5) Remove the rear skirt trim (C).

- 6) Loosen the bolts and clips to remove the rear quarter lower trim (D).



(E) Clip

B: INSTALLATION

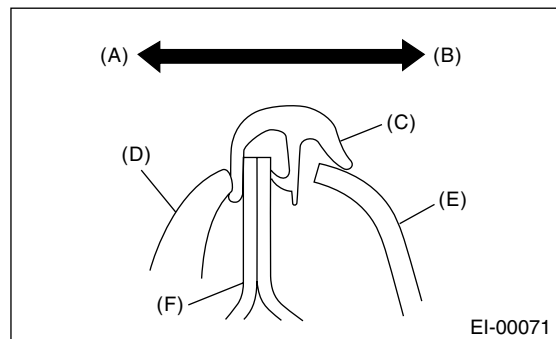
Install in the reverse order of removal.

CAUTION:

Be sure to securely hook pawls of inner trim panel to body flange.

NOTE:

When installing the rear quarter upper trim, be sure to set the rear molding as shown in the figure.

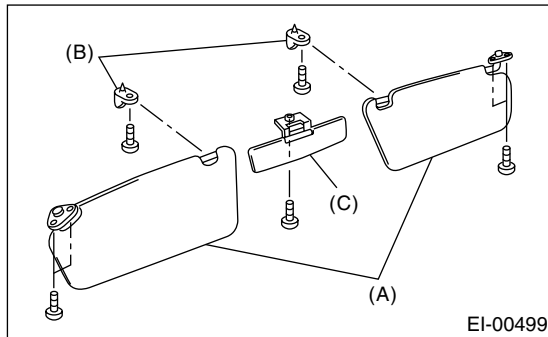


- (A) Outside
- (B) Inside
- (C) Molding
- (D) Weather strip
- (E) Trim
- (F) Body

22.Sun Visor

A: REMOVAL

Remove the mounting screws, and then detach the sun visor (A), hook (B) and center visor (C).



B: INSTALLATION

Install in the reverse order of removal.

Roof Trim

EXTERIOR/INTERIOR TRIM

23. Roof Trim

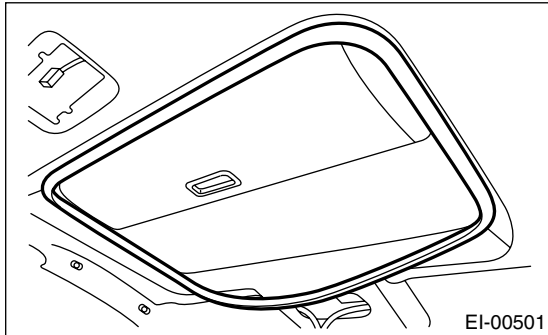
A: REMOVAL

CAUTION:

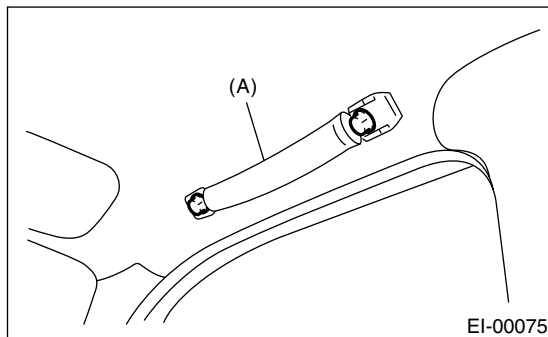
When removing the clip, use great care not to damage the roof trim.

1. SEDAN MODEL

- 1) Disconnect the ground cable from battery.
- 2) Remove the sunroof switch. (Model with sunroof) <Ref. to SR-9, REMOVAL, Sunroof Switch.>
- 3) Remove the spot map light. <Ref. to LI-29, REMOVAL, Spot Map Light.>
- 4) Remove the room light. <Ref. to LI-30, REMOVAL, Room Light.>
- 5) Remove the sun visor and hook or both sides. <Ref. to EI-49, REMOVAL, Sun Visor.>
- 6) In case of models with sunroof, remove the sunroof weather strip.

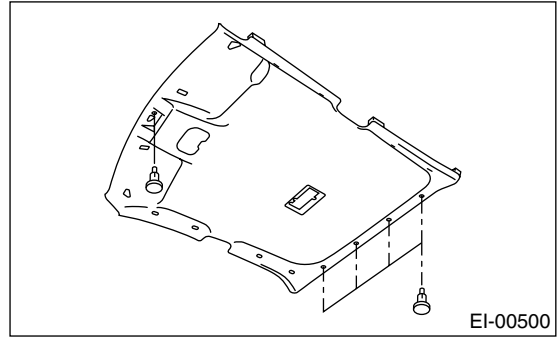


- 7) Remove the assist-grips (A).



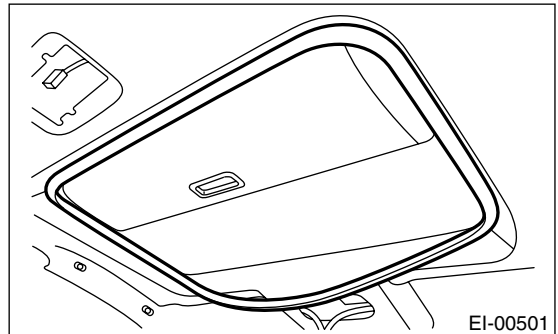
- 8) Remove the upper inner trim. <Ref. to EI-46, REMOVAL, Upper Inner Trim.>
- 9) Remove the quarter upper trim. <Ref. to EI-48, SEDAN MODEL, REMOVAL, Rear Quarter Trim.>

- 10) Remove the clips, and then remove the roof trim.

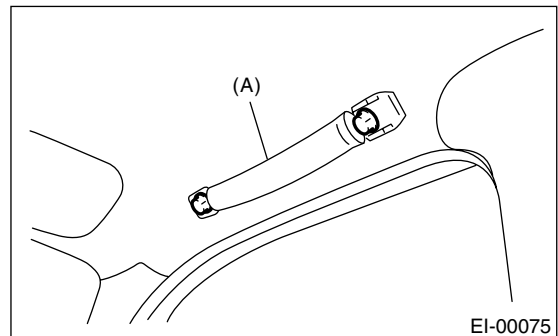


2. WAGON MODEL

- 1) Disconnect the ground cable from battery.
- 2) Remove the sunroof switch. (Model with sunroof) <Ref. to SR-9, REMOVAL, Sunroof Switch.>
- 3) Remove the room light. <Ref. to LI-30, REMOVAL, Room Light.>
- 4) Remove the sun visor and hook or both sides. <Ref. to EI-49, REMOVAL, Sun Visor.>
- 5) In case of models with sunroof, remove the sunroof weather strip.

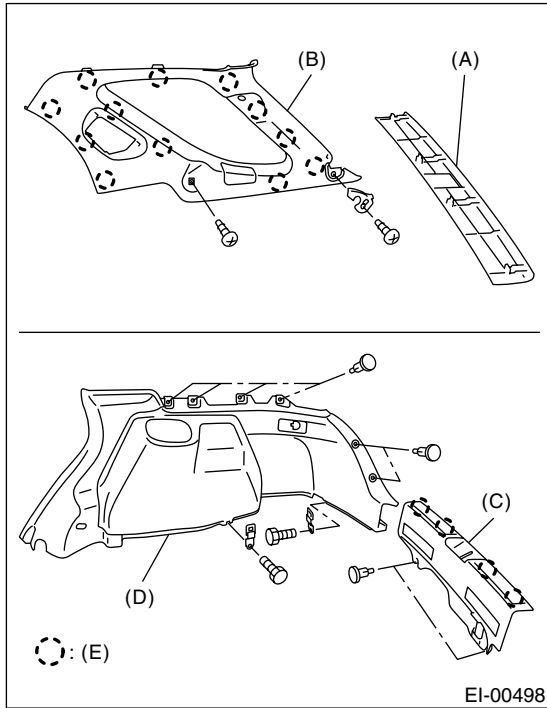


- 6) Remove the assist-grips (A).



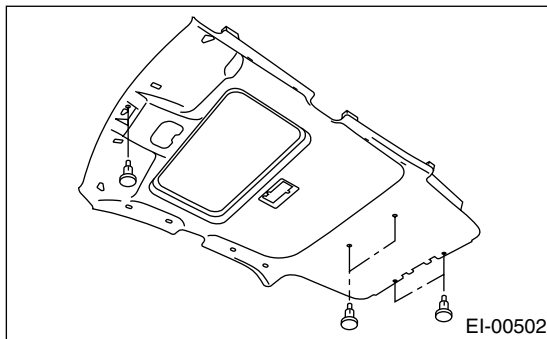
- 7) Remove the upper inner trim. <Ref. to EI-46, REMOVAL, Upper Inner Trim.>
- 8) Remove the rear quarter upper trim shown in the figure.
- 9) Remove the rear rail trim (A).

10) Remove the rear quarter upper trim (B) of both sides.



(E) Clip

11) Remove the clips, and then remove the roof trim.



B: INSTALLATION

Install in the reverse order of removal.

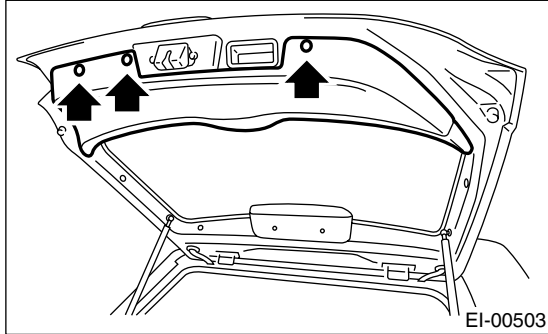
24.Rear Gate Trim

A: REMOVAL

CAUTION:

Be careful not to damage the clips or their holes.

Remove the clips, and then detach the rear gate trim.



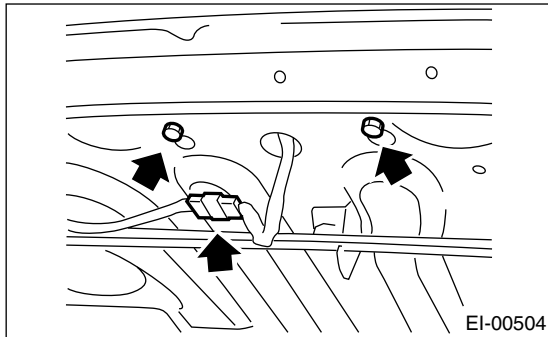
B: INSTALLATION

Install in the reverse order of removal.

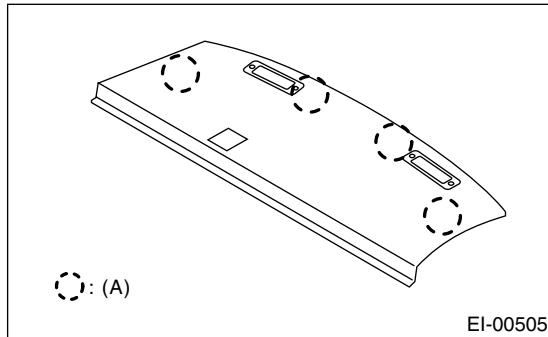
25.Rear Shelf Trim

A: REMOVAL

- 1) Disconnect the ground cable from battery.
- 2) Remove the high mount stop light.



- 3) Remove the rear quarter upper trim. <Ref. to EI-48, REMOVAL, Rear Quarter Trim.>
- 4) Remove the seat belt center anchor lower bolt.
- 5) Remove the rear shelf trim.



(A) Clip

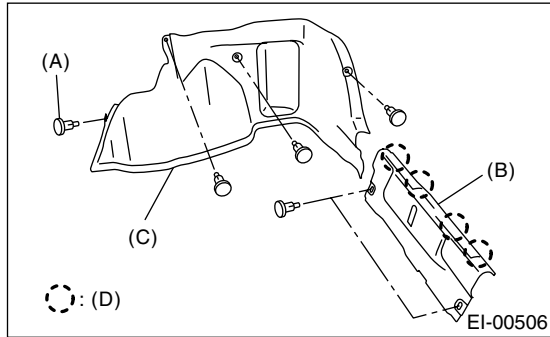
B: INSTALLATION

Install in the reverse order of removal.

26. Trunk Trim

A: REMOVAL

- 1) Remove the rear seat backrest. <Ref. to SE-13, SEDAN MODEL, REMOVAL, Rear Seat.>
- 2) Remove the clip (A).
- 3) Loosen the clips, and then detach the trunk rear trim (B).
- 4) Loosen the clips to remove the trunk side trim (C).



(D) Clip

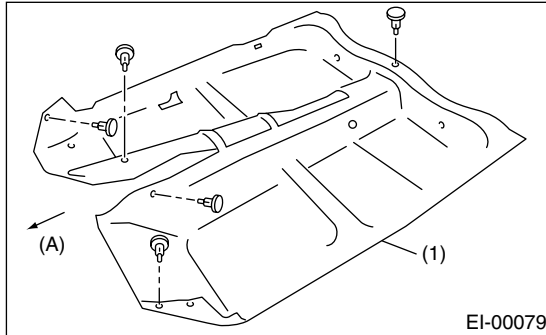
B: INSTALLATION

Install in the reverse order of removal.

27.Floor Mat

A: REMOVAL

- 1) Remove the front seats. <Ref. to SE-6, REMOVAL, Front Seat.>
- 2) Remove the rear seat cushion. <Ref. to SE-13, REMOVAL, Rear Seat.>
- 3) Remove the console box. <Ref. to EI-42, Console Box.>
- 4) Remove the side sill front cover, side sill rear cover and center pillar lower trim. <Ref. to EI-47, REMOVAL, Lower Inner Trim.>
- 5) Remove the foot rest.
- 6) Remove the clips from floor mat.
- 7) Remove the mat hook.
- 8) Remove the mat from toe board area.
- 9) Remove the mat from rear heater duct.
- 10) Roll the mat, and then take it out of opened rear door.



(A) Front

(1) Floor mat

B: INSTALLATION

Install in the reverse order of removal.

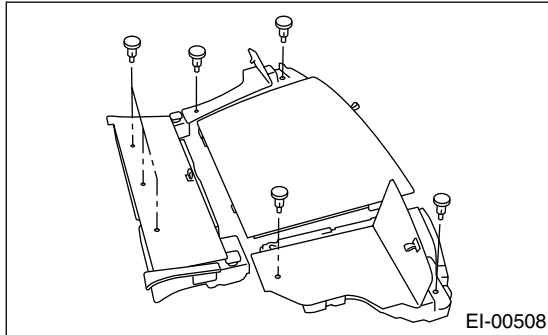
NOTE:

- Secure the mat firmly with hook and Velcro tape.
- Insert the mat edge firmly into the groove of side sill cover.

28.Luggage Floor Mat

A: REMOVAL

Remove the clips, and then detach the rear floor mats and boxes.



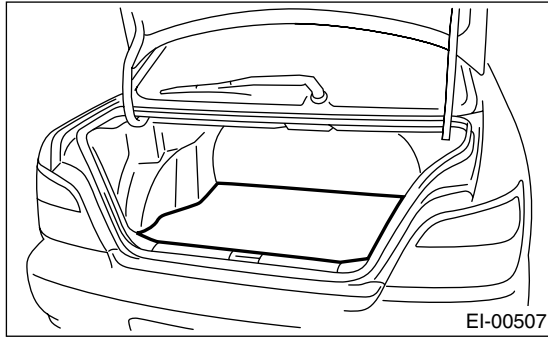
B: INSTALLATION

Install in the reverse order of removal.

29. Trunk Room Mat

A: REMOVAL

Draw out the trunk room mat.



EI-00507

B: INSTALLATION

Install in the reverse order of removal.

30.Heat Shield Cover

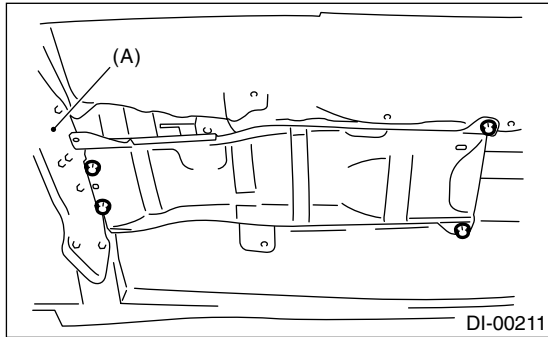
A: REMOVAL

B: INSTALLATION

Install in the reverse order of removal.

1. FRONT HEAT SHIELD COVER

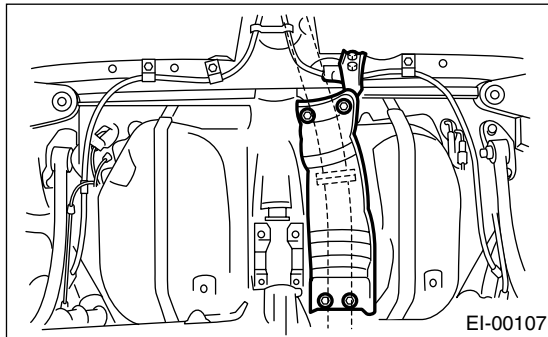
Loosen the four bolts to remove the front heat shield cover.



(A) Transmission mount

2. CENTER HEAT SHIELD COVER

Loosen the four bolts to remove the center heat shield cover.



3. REAR HEAT SHIELD COVER

1) Remove the muffler. <Ref. to EX(H4SO)-12, REMOVAL, Muffler.>, <Ref. to EX(H4SOw/oOBD)-11, REMOVAL, Muffler.>, <Ref. to EX(H4DOTC)-15, REMOVAL, Muffler.>

2) Loosen the four bolts to remove the rear heat shield cover.

