

BODY SECTION

This service manual has been prepared to provide SUBARU service personnel with the necessary information and data for the correct maintenance and repair of SUBARU vehicles.

This manual includes the procedures for maintenance, disassembling, reassembling, inspection and adjustment of components and diagnostics for guidance of experienced mechanics.

Please peruse and utilize this manual fully to ensure complete repair work for satisfying our customers by keeping their vehicle in optimum condition. When replacement of parts during repair work is needed, be sure to use SUBARU genuine parts.

All information, illustration and specifications contained in this manual are based on the latest product information available at the time of publication approval.

HVAC SYSTEM (HEATER, VENTILATOR AND A/C)	AC
HVAC SYSTEM (AUTO A/C) (DIAGNOSTICS)	AC(diag)
AIRBAG SYSTEM	AB
AIRBAG SYSTEM (DIAGNOSTICS)	AB(diag)
SEAT BELT SYSTEM	SB
LIGHTING SYSTEM	LI
WIPER AND WASHER SYSTEMS	WW
ENTERTAINMENT	ET
COMMUNICATION SYSTEM	COM
GLASS/WINDOWS/MIRRORS	GW
BODY STRUCTURE	BS
INSTRUMENTATION/DRIVER INFO	IDI
SEATS	SE
SECURITY AND LOCKS	SL
SUNROOF/T-TOP/CONVERTIBLE TOP (SUNROOF)	SR
EXTERIOR/INTERIOR TRIM	EI
EXTERIOR BODY PANELS	EB

BODY SECTION

CRUISE CONTROL SYSTEM

CC

**CRUISE CONTROL SYSTEM
(DIAGNOSTICS)**

CC(diag)

IMMOBILIZER (DIAGNOSTICS)

IM(diag)

LIGHTING SYSTEM



	Page
1. General Description	2
2. Headlight and Tail Light System	3
3. Front Fog Light System	4
4. Rear Fog Light System	5
5. Turn Signal and Hazard Light System	6
6. Back-up Light System	7
7. Stop Light System	8
8. Interior Light System	9
9. Headlight Beam Leveler System	10
10. Combination Switch (Light)	11
11. Combination Base Switch Assembly	13
12. Headlight Assembly	14
13. Headlight Bulb	16
14. Front Turn Signal Light Bulb	17
15. Clearance/Parking Light Bulb	18
16. Front Fog Light Assembly	19
17. Front Fog Light Bulb	20
18. Rear Combination Light Assembly	21
19. Brake/Tail Light Bulb	22
20. Back-up Light Bulb	23
21. Rear Turn Signal Light Bulb	24
22. Rear Fog Light Bulb	25
23. License Plate Light	26
24. High-mounted Stop Light	27
25. Side Turn Signal Light	28
26. Spot Map Light	29
27. Room Light	30
28. Luggage Room Light	31
29. Trunk Room Light	32
30. Glove Box Light	33

General Description

LIGHTING SYSTEM

1. General Description

A: SPECIFICATIONS

Headlight		12 V — 55 W/60 W (Halogen)	
Front turn signal light		12 V — 21 W	
Side turn signal light		12 V — 5 W	
Clearance/Parking light		12 V — 5 W	
Front fog light		12 V — 55 W	
Rear fog light		12 V — 21 W	
Rear combination light	Sedan	Tail light	12 V — 5/21 W
		Stop light	12 V — 21 W
	Wagon	Tail/Stop light	12 V — 5/21 W
	Turn signal light		12 V — 21 W
	Back-up light		12 V — 21 W
License plate light		12 V — 5 W	
High-mounted stop light	Sedan	Standard type	12 V — 21 W
		Rear spoiler built-in type	12 V — 1.2 W (LED)
	Wagon	12 V — 10 W	
Room light		12 V — 8 W	
Spot light		12 V — 8 W	
Luggage room light		12 V — 13 W	
Trunk room light		12 V — 5 W	
Glove box light		12 V — 1.4 W	

B: PRECAUTIONS

- Before disassembling or reassembling parts, always disconnect the battery ground cable. When replacing radio, control module, and other parts provided with memory functions, record memory contents before disconnecting the battery ground cable. Otherwise, the memory will be erased.
- Reassemble in reverse order of disassembly, unless otherwise indicated.
- Adjust parts to the given specifications.
- Connect the connectors securely during reassembly.
- After reassembly, make sure functional parts operate smoothly.

WARNING:

- **Airbag system wiring harness is routed near electrical parts and switches. All airbag system wiring harnesses and connectors are yellow. Do not use electric test equipment on these circuits.**
- **Be careful not to damage the airbag system wiring harness when servicing electrical parts and switches.**

C: PREPARATION TOOL

1. GENERAL TOOLS

TOOL NAME	REMARKS
Circuit Tester	Used for measuring resistance and voltage.

2. Headlight and Tail Light System

A: WIRING DIAGRAM

1. HEADLIGHT LHD MODEL

<Ref. to WI-213, LHD MODEL, WIRING DIAGRAM, Headlight System.>

2. HEADLIGHT RHD MODEL

<Ref. to WI-214, RHD MODEL, WIRING DIAGRAM, Headlight System.>

3. CLEARANCE LIGHT AND ILLUMINATION LIGHT LHD MODEL

<Ref. to WI-198, LHD MODEL, WIRING DIAGRAM, Clearance Light and Illumination Light System.>

4. CLEARANCE LIGHT AND ILLUMINATION LIGHT RHD WITHOUT ILLUMINATION CONTROL MODEL

<Ref. to WI-201, RHD WITHOUT ILLUMINATION CONTROL MODEL, WIRING DIAGRAM, Clearance Light and Illumination Light System.>

5. CLEARANCE LIGHT AND ILLUMINATION LIGHT RHD WITH ILLUMINATION CONTROL MODEL

<Ref. to WI-204, RHD WITH ILLUMINATION CONTROL EXCEPT FOR AUSTRALIA STi MODEL, WIRING DIAGRAM, Clearance Light and Illumination Light System.>

6. CLEARANCE LIGHT AND ILLUMINATION LIGHT STi MODEL FOR AUSTRALIA

<Ref. to WI-207, RHD FOR AUSTRALIA STi MODEL, WIRING DIAGRAM, Clearance Light and Illumination Light System.>

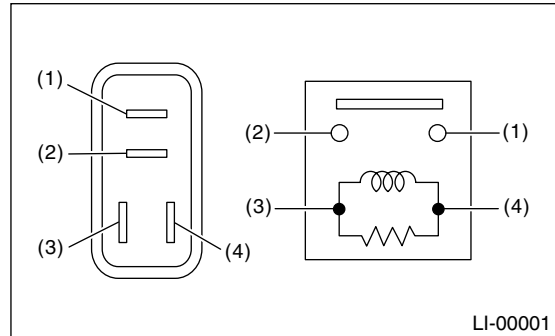
B: INSPECTION

1. HEADLIGHT SWITCH

<Ref. to LI-11, INSPECTION, Combination Switch (Light).>

2. HEADLIGHT RELAY

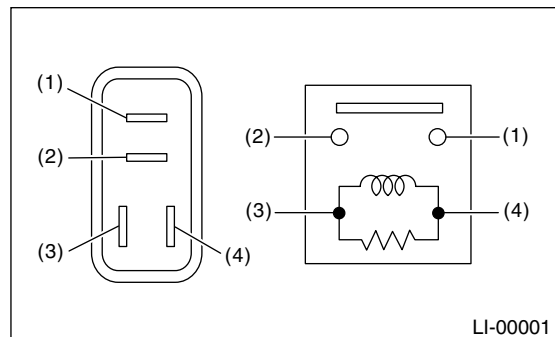
Measure the headlight relay resistance between terminals when connecting terminal No. 4 to battery positive terminal and terminal No. 3 to battery ground terminal.



Current	Terminal No.	Standard
Flow	1 and 2	Less than 1 Ω
No flow		More than 1 MΩ

3. TAIL AND ILLUMINATION RELAY

Measure the tail and illumination relay resistance between terminals when connecting terminal No. 4 to battery positive terminal and terminal No. 3 to battery ground terminal.



Current	Terminal No.	Standard
Flow	1 and 2	Less than 1 Ω
No flow		More than 1 MΩ

Front Fog Light System

LIGHTING SYSTEM

3. Front Fog Light System

A: WIRING DIAGRAM

1. FRONT FOG LIGHT LHD MODEL

<Ref. to WI-210, LHD MODEL, WIRING DIAGRAM, Front Fog Light System.>

2. FRONT FOG LIGHT RHD FOR EUROPE MODEL

<Ref. to WI-211, RHD FOR EUROPE MODEL, WIRING DIAGRAM, Front Fog Light System.>

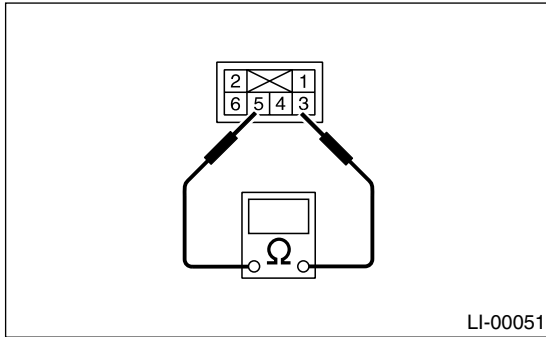
3. FRONT FOG LIGHT RHD EXCEPT FOR EUROPE MODEL

<Ref. to WI-212, RHD EXCEPT FOR EUROPE MODEL, WIRING DIAGRAM, Front Fog Light System.>

B: INSPECTION

1. FRONT FOG LIGHT SWITCH

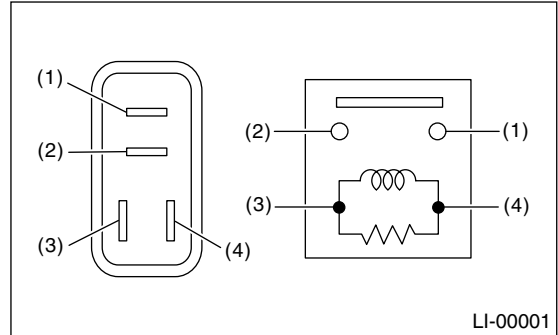
Measure the front fog light switch resistance.



Switch position	Terminal No.	Standard
OFF	3 and 5	More than 1 MΩ
ON		Less than 1 Ω

2. FRONT FOG LIGHT RELAY

Measure the front fog light relay resistance between terminals when connecting terminal No. 4 to battery positive terminal and terminal No. 3 to battery ground terminal.



Current	Terminal No.	Standard
Flow	1 and 2	Less than 1 Ω
No flow		More than 1 MΩ

4. Rear Fog Light System

A: WIRING DIAGRAM

1. REAR FOG LIGHT LHD MODEL

<Ref. to WI-240, LHD MODEL, WIRING DIAGRAM, Rear Fog Light System.>

2. REAR FOG LIGHT RHD MODEL

<Ref. to WI-241, RHD MODEL, WIRING DIAGRAM, Rear Fog Light System.>

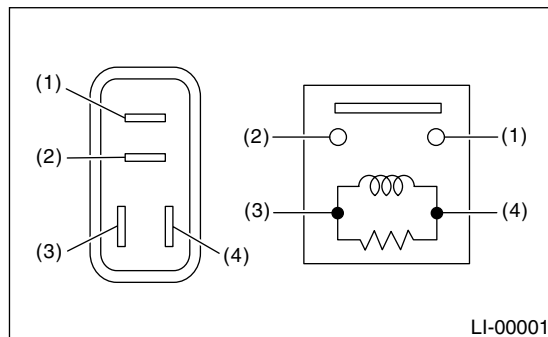
B: INSPECTION

1. REAR FOG LIGHT SWITCH

- 1) Turn the ignition switch to ON.
- 2) Turn on the headlight or front fog light.
- 3) Push the rear fog light switch and check if the rear fog light turns on.

2. REAR FOG LIGHT RELAY

Measure the rear fog light relay resistance between terminals when connecting terminal No. 4 to battery positive terminal and terminal No. 3 to battery ground terminal.



Current	Terminal No.	Standard
Flow	1 and 2	Less than 1 Ω
No flow		More than 1 M Ω

Turn Signal and Hazard Light System

LIGHTING SYSTEM

5. Turn Signal and Hazard Light System

A: WIRING DIAGRAM

1. TURN SIGNAL LIGHT AND HAZARD LIGHT LHD MODEL

<Ref. to WI-220, LHD MODEL, WIRING DIAGRAM, Turn Signal Light and Hazard Light System.>

2. TURN SIGNAL LIGHT AND HAZARD LIGHT RHD MODEL

<Ref. to WI-222, RHD MODEL, WIRING DIAGRAM, Turn Signal Light and Hazard Light System.>

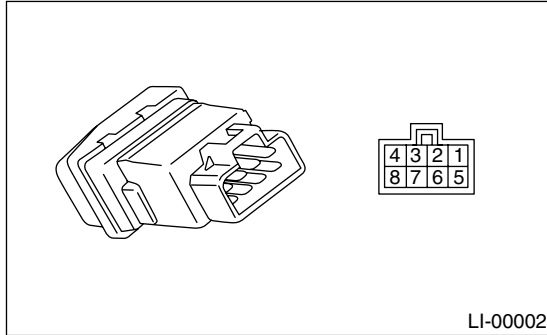
B: INSPECTION

1. TURN SIGNAL SWITCH

<Ref. to LI-11, INSPECTION, Combination Switch (Light).>

2. HAZARD SWITCH

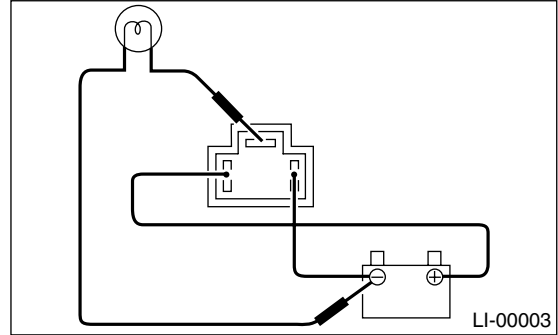
Measure the hazard switch resistance.



Switch position	Terminal No.	Standard
OFF	6 and 7	Less than 1 Ω
ON	1, 3 and 4	Less than 1 Ω
	7 and 8	Less than 1 Ω

3. TURN SIGNAL AND HAZARD MODULE

Connect the battery and turn signal light bulb to the module, as shown in the figure. The module is properly functioning if it blinks when power is supplied to the circuit.



6. Back-up Light System

A: WIRING DIAGRAM

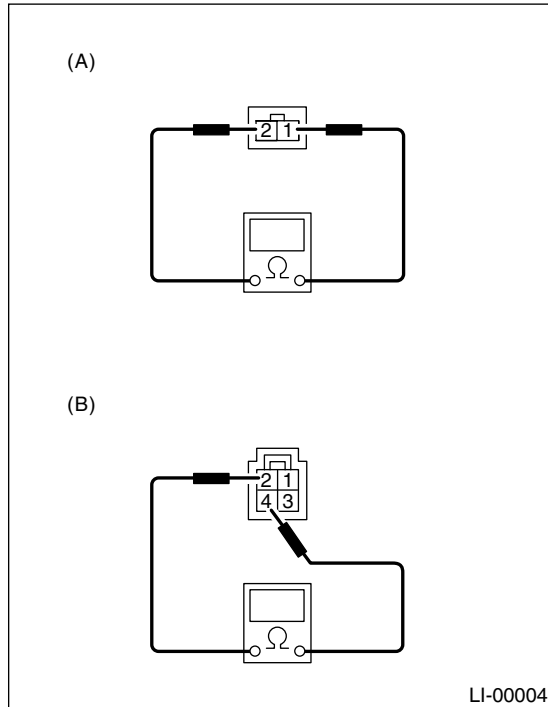
1. BACK-UP LIGHT

<Ref. to WI-197, WIRING DIAGRAM, Back-up Light System.>

B: INSPECTION

1. BACK-UP LIGHT SWITCH (M/T)

Measure the back-up light switch resistance.



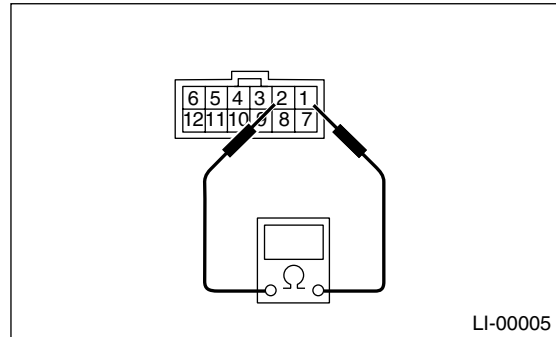
(A) Non-turbo model

(B) Turbo model

Switch position	Terminal No.	Standard
When shift lever is set in reverse position	Turbo model: 2 and 4 Non-turbo model:	Less than 1 Ω
Other positions	1 and 2	More than 1 MΩ

2. INHIBITOR SWITCH (A/T)

Measure the inhibitor switch resistance.



LI-00005

Switch position	Terminal No.	Standard
When select lever is set in "R" range	1 and 2	Less than 1 Ω
Other positions		More than 1 MΩ

7. Stop Light System

A: WIRING DIAGRAM

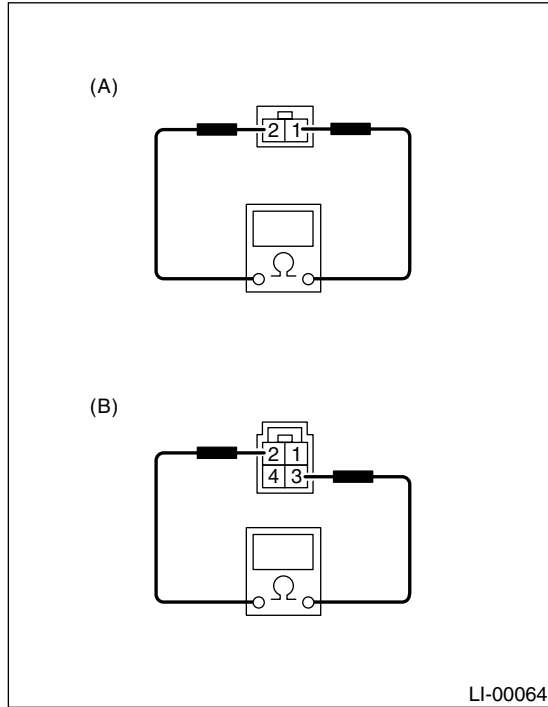
1. STOP LIGHT

<Ref. to WI-219, WIRING DIAGRAM, Stop Light System.>

B: INSPECTION

1. STOP LIGHT SWITCH

Measure the stop light switch resistance.



(A) Without cruise control

(B) With cruise control

Switch position	Terminal No.	Standard
When brake pedal is depressed	1 and 2: Without cruise control	Less than 1 Ω
When brake pedal is released	2 and 3: With cruise control	More than 1 M Ω

8. Interior Light System

A: WIRING DIAGRAM

1. INTERIOR LIGHT LHD MODEL

<Ref. to WI-215, LHD MODEL, WIRING DIAGRAM, In Compartment Light System.>

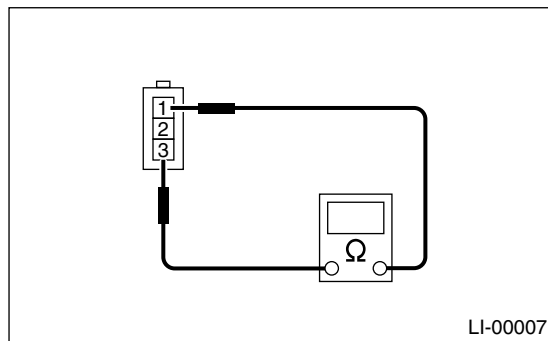
2. INTERIOR LIGHT RHD MODEL

<Ref. to WI-217, RHD MODEL, WIRING DIAGRAM, In Compartment Light System.>

B: INSPECTION

1. DOOR SWITCH

Measure the door switch resistance.



Switch position	Terminal No.	Standard
When door is opened	1 and 3	Less than 1 Ω
When door is closed		More than 1 MΩ

2. REAR GATE LATCH SWITCH

Measure the rear gate latch switch resistance.

Switch position	Terminal No.	Standard
When rear gate is opened	1 and 2	Less than 1 Ω
When rear gate is closed		More than 1 MΩ

3. TRUNK ROOM LIGHT SWITCH

Measure the trunk room light switch resistance.

Switch position	Terminal No.	Standard
When trunk lid is opened	1 and 2	Less than 1 Ω
When trunk lid is closed		More than 1 MΩ

9. Headlight Beam Leveler System

A: WIRING DIAGRAM

1. HEADLIGHT BEAM LEVELER

<Ref. to WI-182, WIRING DIAGRAM, Headlight Beam Leveler System.>

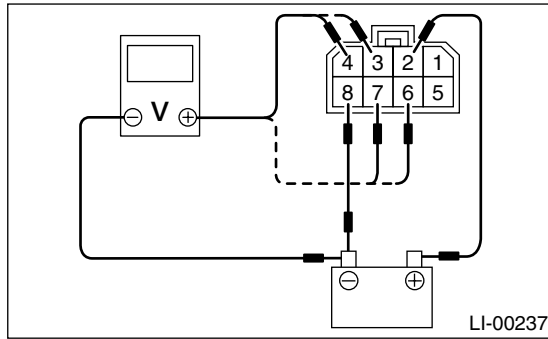
B: INSPECTION

1. HEADLIGHT BEAM LEVELER ACTUATOR

- 1) Turn on the headlights.
- 2) Confirm the headlight beam level is lowered by changing the switch position to 0 - 1 - 2 - 3.

2. HEADLIGHT BEAM LEVELER SWITCH

Connect the battery, headlight beam leveler switch connector and circuit tester as shown in the figure. Measure the voltage at each switch position.

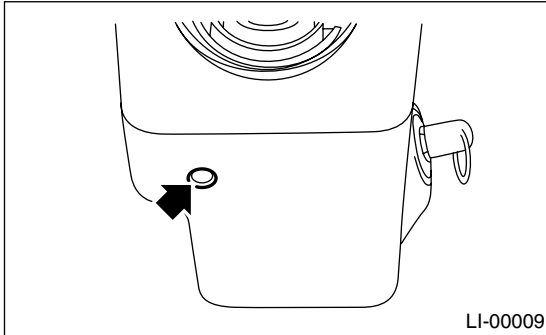


Switch position	Terminal No.	Standard
0	7 (+) and battery (-)	Battery voltage
1	6 (+) and battery (-)	Battery voltage
2	3 (+) and battery (-)	Battery voltage
3	4 (+) and battery (-)	Battery voltage

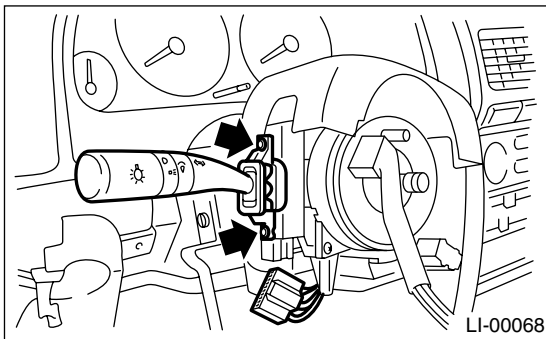
10. Combination Switch (Light)

A: REMOVAL

- 1) Disconnect the ground cable from battery.
- 2) Remove the instrument panel lower cover. <Ref. to EI-43, REMOVAL, Instrument Panel Assembly.>
- 3) Remove the screws which secure the upper column cover to lower column cover.



- 4) Disconnect the connector from combination switch.
- 5) Remove the screws which secure the switch, and then remove the switch.

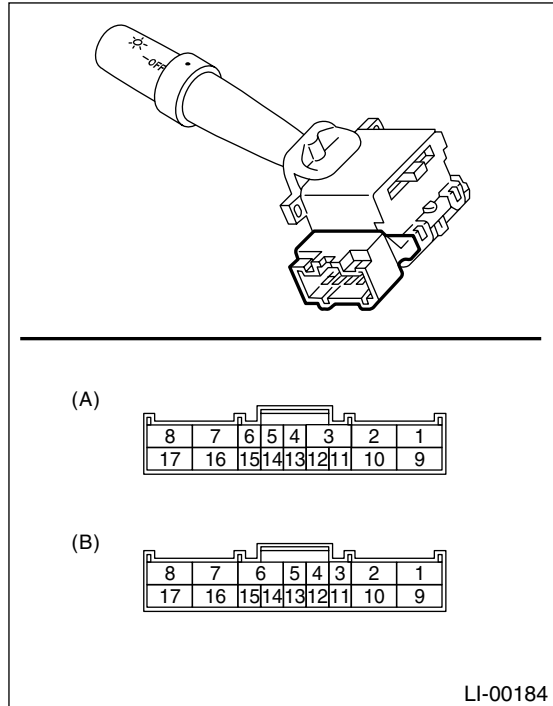


B: INSTALLATION

Install in the reverse order of removal.

C: INSPECTION

Measure the combination switch resistance.



- (A) LHD model/RHD model (for Europe)
 (B) RHD model (Except for Europe)

1. LIGHTING SWITCH

LHD model and RHD for Europe model:

Switch position	Terminal No.	Standard
OFF	—	More than 1 MΩ
Tail	14 and 16	Less than 1 Ω
Head	13, 14 and 16	Less than 1 Ω

RHD except for Europe model:

Switch position	Terminal No.	Standard
OFF	—	More than 1 MΩ
Tail	9 and 15	Less than 1 Ω
Head	9, 14 and 15	Less than 1 Ω

Combination Switch (Light)

LIGHTING SYSTEM

2. DIMMER AND PASSING SWITCH

LHD model and RHD for Europe model:

Switch position	Terminal No.	Standard
Passing	7, 8 and 16	Less than 1 Ω
Low beam	16 and 17	Less than 1 Ω
High beam	7 and 16	Less than 1 Ω

RHD except for Europe model:

Switch position	Terminal No.	Standard
Passing	1, 2 and 9	Less than 1 Ω
Low beam	9 and 10	Less than 1 Ω
High beam	2 and 9	Less than 1 Ω

3. TURN SIGNAL SWITCH

LHD model and RHD for Europe model:

Switch position	Terminal No.	Standard
Left	1 and 2	Less than 1 Ω
Neutral	—	More than 1 M Ω
Right	2 and 3	Less than 1 Ω

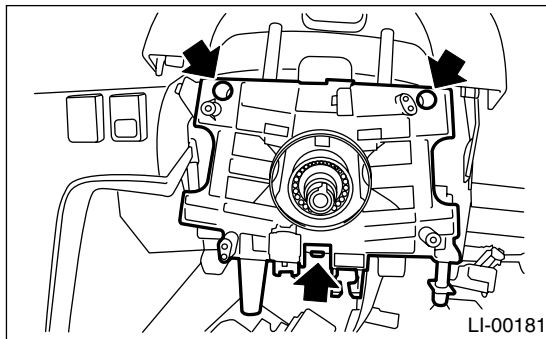
RHD except for Europe model:

Switch position	Terminal No.	Standard
Left	6 and 7	Less than 1 Ω
Neutral	—	More than 1 M Ω
Right	7 and 8	Less than 1 Ω

11. Combination Base Switch Assembly

A: REMOVAL

- 1) Remove the driver's airbag module. <Ref. to AB-12, REMOVAL, Driver's Airbag Module.>
- 2) Remove the steering wheel. <Ref. to PS-23, REMOVAL, Steering Wheel.>
- 3) Remove the steering column cover.
- 4) Remove the combination switch. <Ref. to LI-11, REMOVAL, Combination Switch (Light).> <Ref. to WW-7, REMOVAL, Combination Switch (Wiper).>
- 5) Loosen the four screws and remove the roll connector.
- 6) Loosen the three screws.



- 7) Disconnect the connector and remove the combination base switch assembly.

B: INSTALLATION

- 1) Install in the reverse order of removal.
- 2) Align the attaching direction of roll connector with the steering wheel, before installation of steering wheel. <Ref. to AB-18, ADJUSTMENT, Roll Connector.>

C: INSPECTION

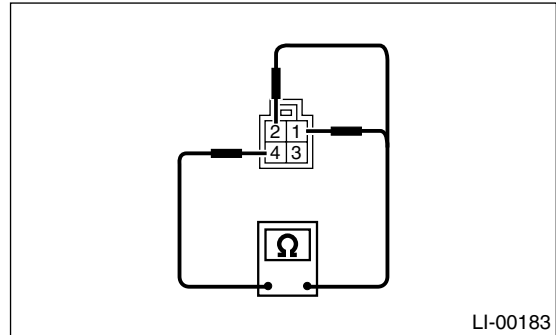
1. COMBINATION BASE SWITCH ASSEMBLY

Perform the inspection for the following items and replace with a new one, if any damage is found.

- Crack or deformation of combination base switch assembly or roll connector

2. PARKING SWITCH

Measure the parking switch resistance.

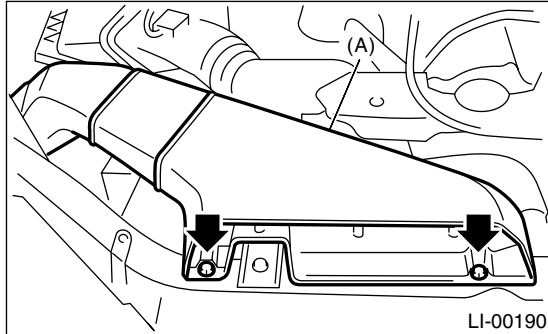


Switch position	Terminal No.	Standard
OFF	2 and 4	Less than 1 Ω
ON	1 and 4	Less than 1 Ω

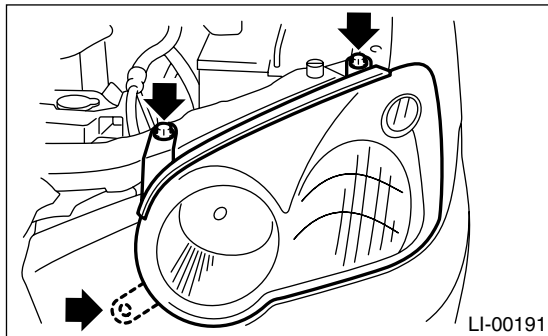
12. Headlight Assembly

A: REMOVAL

- 1) Disconnect the ground cable from battery.
- 2) Remove the duct (A) (when right side headlight is removed).



- 3) Remove the front grille and bumper upper clips. <Ref. to EI-18, REMOVAL, Front Grille.>
- 4) Disconnect each harness connector.
- 5) Remove the three bolts and disengage the clips, and then detach the headlight assembly.



B: INSTALLATION

Install in the reverse order of removal.

C: ADJUSTMENT

1. HEADLIGHT AIMING

CAUTION:

Turn off the light before adjusting headlight aiming. If the light is necessary to check aiming, do not turn on for more than 2 minutes.

NOTE:

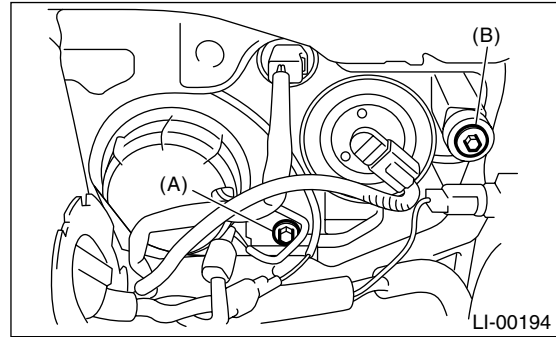
Before checking the headlight aiming, be sure of the following:

- The area around the headlight has not sustained any accident, damage or other type of deformation.
- Vehicle is parked on level ground.
- The inflation pressure of tires is correct.
- Vehicle's gas tank is fully charged.
- Bounce the vehicle several times to normalize the suspension.
- Make certain that someone is seated in the driver's seat.

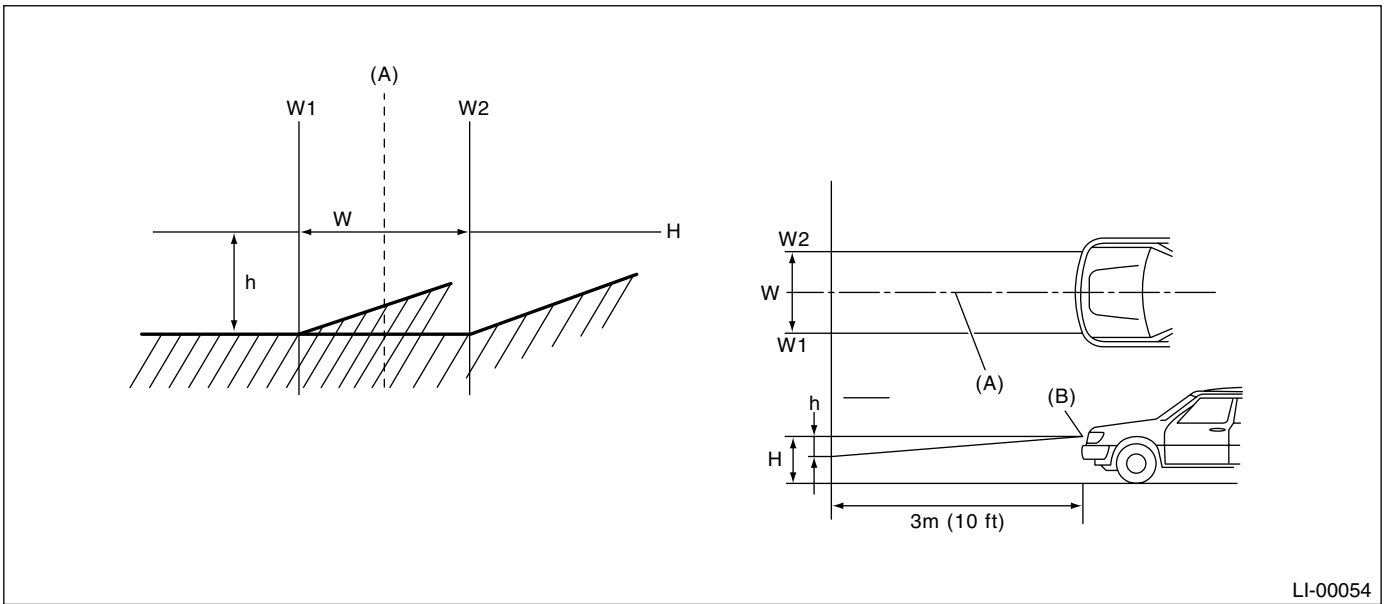
Turn the headlights on and then adjust the low beam pattern to the following positions on the screen.

NOTE:

- Set the headlight leveler switch to "0" position.
- Adjust the vertical aim (A) first, then horizontal aim (B).



Headlight Assembly



LI-00054

(A) Vehicle center

(B) Bulb center making

This illustration is for LHD model.

The pattern for RHD model is symmetrically opposite.

W mm (in)	H mm (in)					h mm (in) at 3 m (10 ft)
	Sedan		Wagon			
	TS	GX, RS, WRX STi	TS	GX, WRX	OUTBACK	
1,279 (50.35)	644 (25.35)	639 (25.16)	644 (25.35)	639 (25.16)	649 (25.55)	30 (1.18)

Headlight Bulb

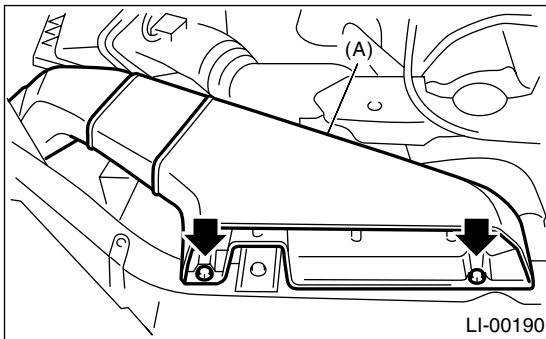
13. Headlight Bulb

A: REMOVAL

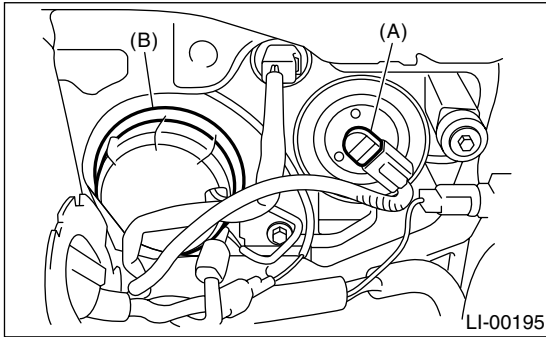
CAUTION:

- Because the halogen bulb operates at a high temperature, dirt and oil on the bulb surface reduces the bulb's service life. Hold the flange portion when replacing the bulb. Never touch the glass portion.
- Do not leave the headlight without a bulb for a long time. Dust, moisture, etc. entering the headlight may affect its performance.

- 1) Disconnect the ground cable from battery.
- 2) Remove the air intake duct (A) (when right side headlight bulb is removed).

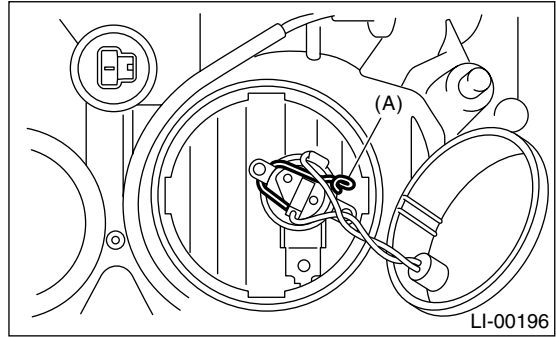


- 3) Disconnect the harness connector.
- 4) Remove the bulb ASSY. To remove the low beam, remove the back cover, and then go to Step 5.



- (A) High beam
- (B) Low beam

- 5) Remove the light bulb retaining spring (A) to remove the bulb.



B: INSTALLATION

Install in the reverse order of removal.

CAUTION:

Attach the rubber cap with letters TOP on the top so the drain hole will be on the lower side.

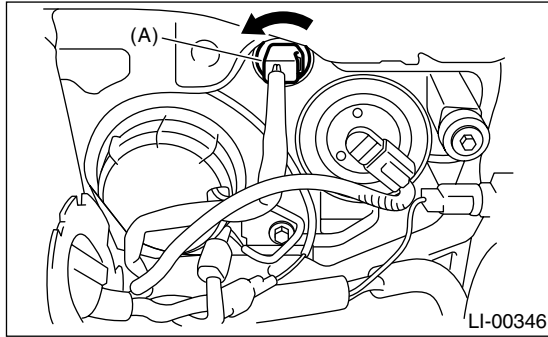
C: INSPECTION

- 1) Visually check the bulb for blow out.
- 2) Check the bulb specification. <Ref. to LI-2, SPECIFICATIONS, General Description.>
- 3) If NG, replace the bulb with a new one.

14. Front Turn Signal Light Bulb

A: REMOVAL

Turn the socket (A) and remove the bulb.



B: INSTALLATION

Install in the reverse order of removal.

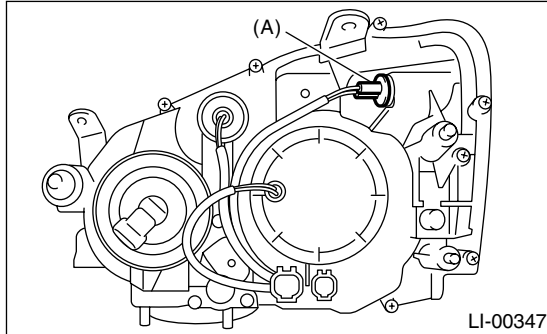
C: INSPECTION

- 1) Visually check the bulb for blow out.
- 2) Check the bulb specification. <Ref. to LI-2, SPECIFICATIONS, General Description.>
- 3) If NG, replace the bulb with a new one.

15. Clearance/Parking Light Bulb

A: REMOVAL

- 1) Remove the headlight assembly. <Ref. to LI-14, REMOVAL, Headlight Assembly.>
- 2) Turn the socket (A) and remove the bulb.



B: INSTALLATION

Install in the reverse order of removal.

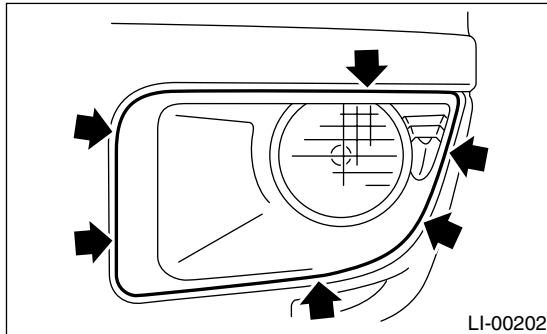
C: INSPECTION

- 1) Visually check the bulb for blow out.
- 2) Check the bulb specification. <Ref. to LI-2, SPECIFICATIONS, General Description.>
- 3) If NG, replace the bulb with a new one.

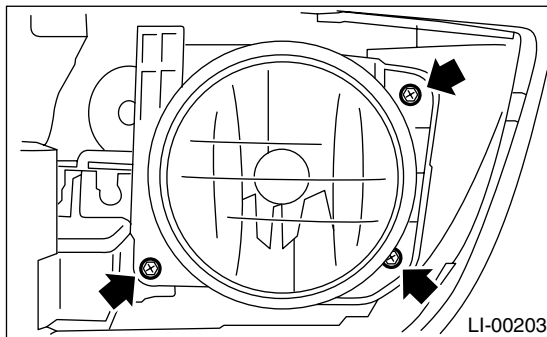
16. Front Fog Light Assembly

A: REMOVAL

- 1) Disconnect the ground cable from battery.
- 2) Disengage the hooks (six places), and then remove the fog light cover.



- 3) Remove the mounting bolts, and then detach the fog light assembly by disconnecting the harness connector.



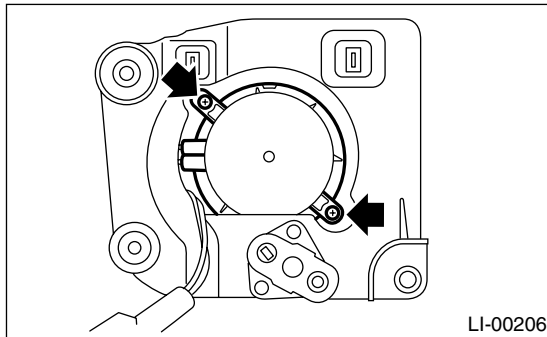
B: INSTALLATION

Install in the reverse order of removal.

17. Front Fog Light Bulb

A: REMOVAL

- 1) Remove the front fog light assembly. <Ref. to LI-19, REMOVAL, Front Fog Light Assembly.>
- 2) Remove the two screws, and then remove the back cover.



- 3) Remove the spring retainer, and then detach the fog light bulb.

B: INSTALLATION

Install in the reverse order of removal.

C: INSPECTION

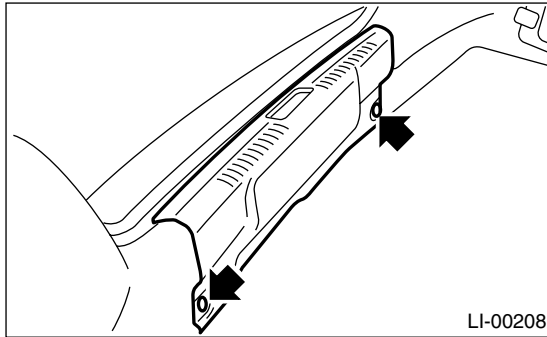
- 1) Visually check the bulb for blow out.
- 2) Check the bulb specification. <Ref. to LI-2, SPECIFICATIONS, General Description.>
- 3) If NG, replace the bulb with a new one.

18. Rear Combination Light Assembly

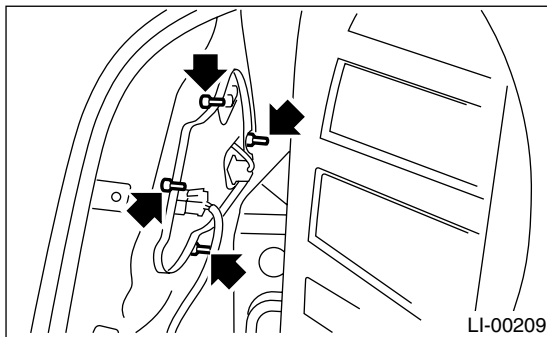
A: REMOVAL

1. SEDAN

- 1) Disconnect the ground cable from battery.
- 2) Remove the clips, and then detach the trunk rear trim.

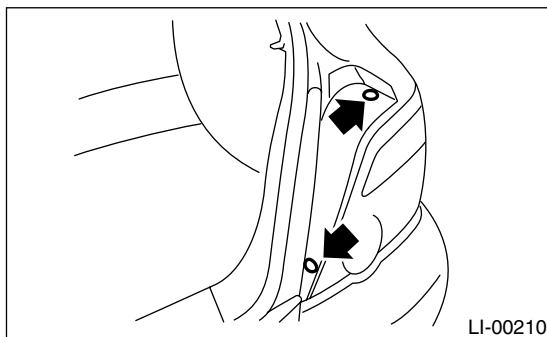


- 3) Remove the trunk side trim of rear portion.
- 4) Remove the four nuts, and then detach the rear combination light while disconnecting connector.

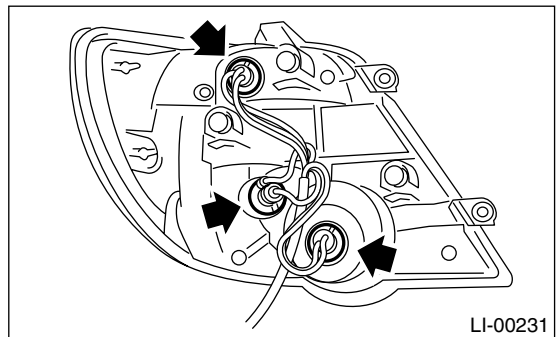
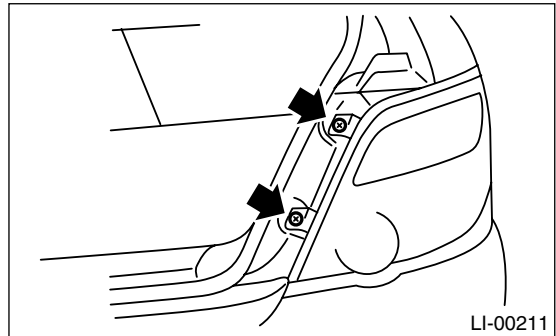


2. WAGON

- 1) Disconnect the ground cable from battery.
- 2) Remove the clips, and then detach the rear combination light covers.



- 3) Remove the two bolts, and then remove the rear combination light while disconnecting connector.



B: INSTALLATION

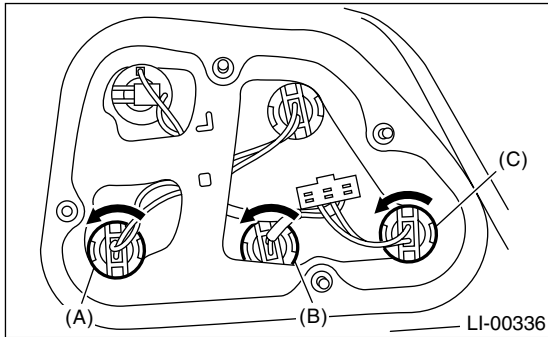
Install in the reverse order of removal.

19.Brake/Tail Light Bulb

A: REMOVAL

1. SEDAN

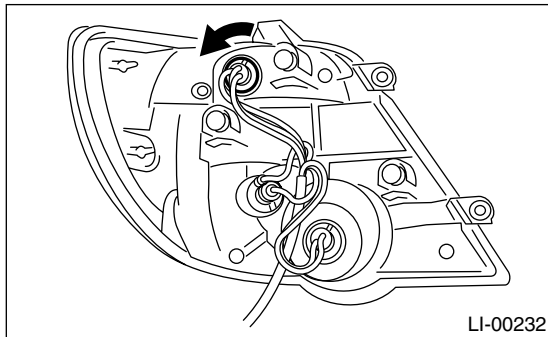
- 1) Remove the trunk side trim of rear portion.
- 2) Turn the socket and remove the bulb.



- (A) Model without rear fog light: Stop light
- (B) Model with rear fog light: Tail light
- (C) Model with rear fog light: Stop light
Model without rear fog light: Tail light

2. WAGON

- 1) Remove the rear combination light assembly.
<Ref. to LI-21, WAGON, REMOVAL, Rear Combination Light Assembly.>
- 2) Turn the socket and remove the bulb.



B: INSTALLATION

Install in the reverse order of removal.

C: INSPECTION

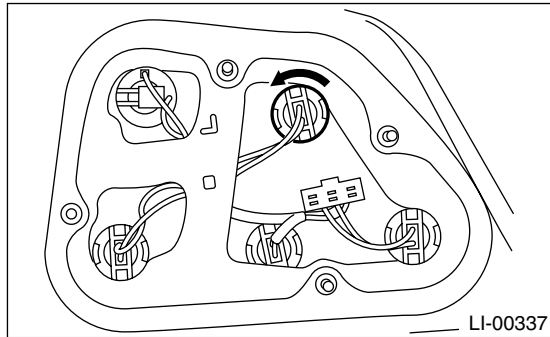
- 1) Visually check the bulb for blow out.
- 2) Check the bulb specification. <Ref. to LI-2, SPECIFICATIONS, General Description.>
- 3) If NG, replace the bulb with a new one.

20.Back-up Light Bulb

A: REMOVAL

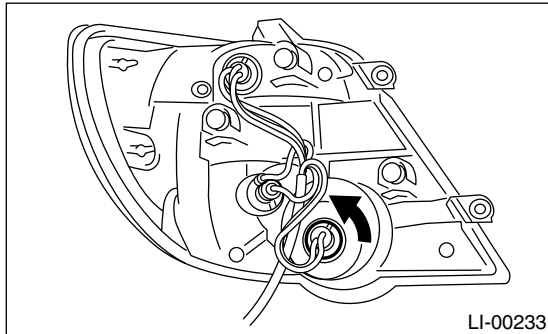
1. SEDAN

- 1) Remove the trunk side trim of rear portion.
- 2) Turn the socket and remove the bulb.



2. WAGON

- 1) Remove the rear combination light assembly.
<Ref. to LI-21, WAGON, REMOVAL, Rear Combination Light Assembly.>
- 2) Turn the socket and remove the bulb.



B: INSTALLATION

Install in the reverse order of removal.

C: INSPECTION

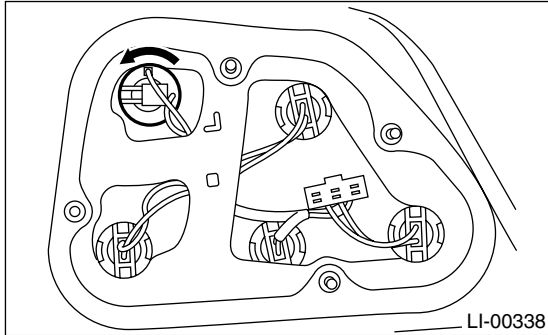
- 1) Visually check the bulb for blow out.
- 2) Check the bulb specification. <Ref. to LI-2, SPECIFICATIONS, General Description.>
- 3) If NG, replace the bulb with a new one.

21. Rear Turn Signal Light Bulb

A: REMOVAL

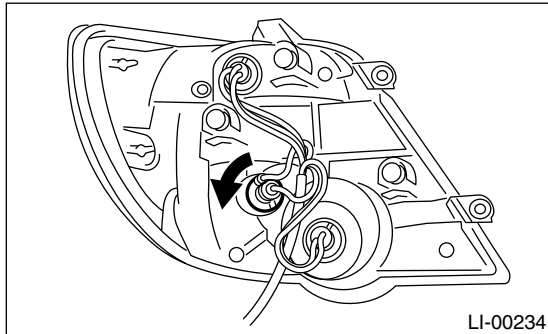
1. SEDAN

- 1) Remove the trunk side trim of rear portion.
- 2) Turn the socket and remove the bulb.



2. WAGON

- 1) Remove the rear combination light assembly.
<Ref. to LI-21, WAGON, REMOVAL, Rear Combination Light Assembly.>
- 2) Turn the socket and remove the bulb.



B: INSTALLATION

Install in the reverse order of removal.

C: INSPECTION

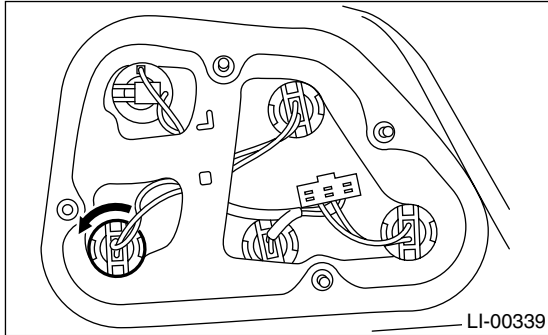
- 1) Visually check the bulb for blow out.
- 2) Check the bulb specification. <Ref. to LI-2, SPECIFICATIONS, General Description.>
- 3) If NG, replace the bulb with a new one.

22.Rear Fog Light Bulb

A: REMOVAL

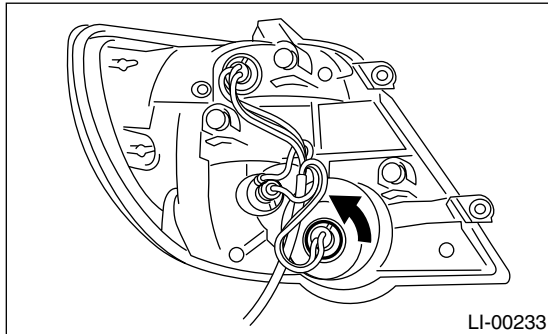
1. SEDAN

- 1) Remove the trunk side trim of rear portion.
- 2) Turn the socket and remove the bulb.



2. WAGON

- 1) Remove the rear combination light assembly.
<Ref. to LI-21, WAGON, REMOVAL, Rear Combination Light Assembly.>
- 2) Turn the socket and remove the bulb.



B: INSTALLATION

Install in the reverse order of removal.

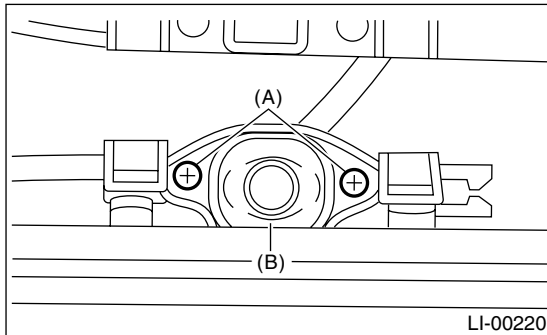
C: INSPECTION

- 1) Visually check the bulb for blow out.
- 2) Check the bulb specification. <Ref. to LI-2, SPECIFICATIONS, General Description.>
- 3) If NG, replace the bulb with a new one.

23. License Plate Light

A: REMOVAL

- 1) Remove the license plate light mounting screw (A), and then remove the lens (B).



- 2) Remove the bulb.

B: INSTALLATION

Install in the reverse order of removal.

C: INSPECTION

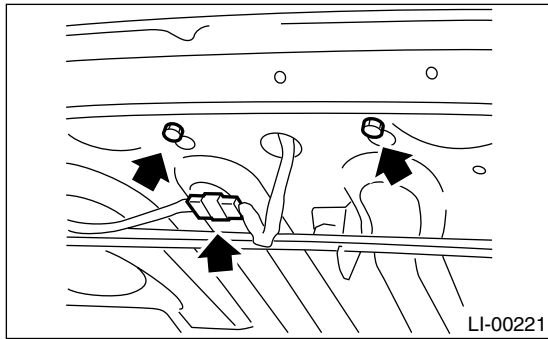
- 1) Visually check the bulb for blow out.
- 2) Check the bulb specification. <Ref. to LI-2, SPECIFICATIONS, General Description.>
- 3) If NG, replace the bulb with a new one.

24.High-mounted Stop Light

A: REMOVAL

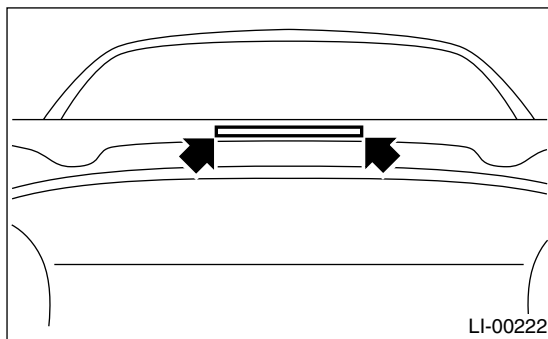
1. SEDAN (STANDARD TYPE)

- 1) Disconnect the ground cable from battery.
- 2) Disconnect the connector of high-mounted stop light from body harness.
- 3) Remove the bolts, then detach the high-mounted stop light assembly.



2. SEDAN (REAR SPOILER BUILT-IN TYPE)

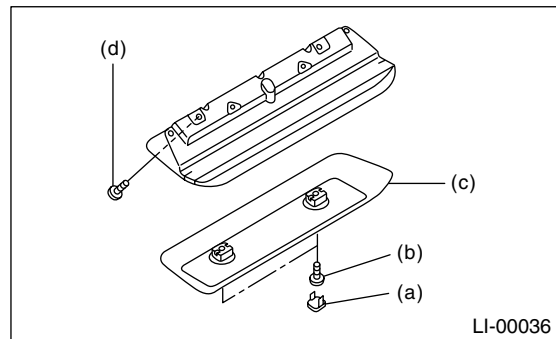
- 1) Disconnect the ground cable from battery.
- 2) Remove the bolts, then detach the high-mounted stop light assembly.
- 3) Disconnect the connector of high-mounted stop light from body harness.



3. WAGON

- 1) Disconnect the ground cable from battery.
- 2) Remove the cap (a) by prying on the edge with screwdriver.
- 3) Remove the screws (b), and then the detach cover (c).

- 4) Remove screws (d), and then detach the high-mounted stop light while disconnecting connector.



B: INSTALLATION

Install in the reverse order of removal.

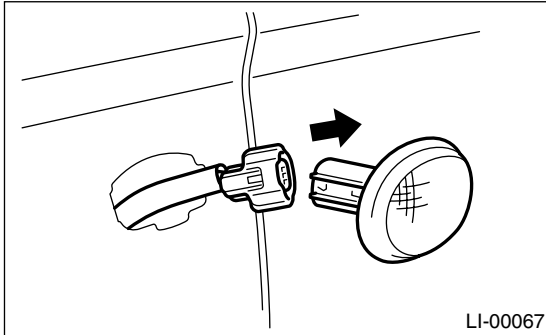
C: INSPECTION

- 1) Visually check the bulb for blow out.
- 2) Check the bulb specification. <Ref. to LI-2, SPECIFICATIONS, General Description.>
- 3) If NG, replace the bulb with a new one.

25.Side Turn Signal Light

A: REMOVAL

- 1) Disconnect the ground cable from battery.
- 2) Pull out the light from body while pushing it in direction of vehicle front.
- 3) Disconnect the harness connector and remove the light.



B: INSTALLATION

Install in the reverse order of removal.

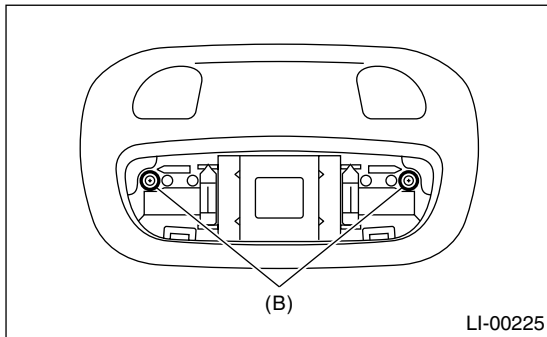
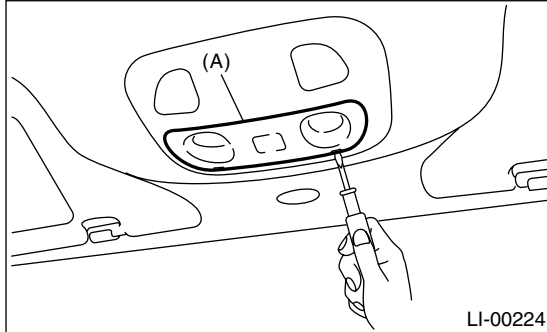
C: INSPECTION

- 1) Check the bulb for blow out using a tester.
- 2) If NG, replace the side turn signal light assembly with a new one.

26. Spot Map Light

A: REMOVAL

- 1) Disconnect the ground cable from battery.
- 2) Remove the lens (A) and spot map light mounting screw (B).



- 3) Disconnect the harness connectors and remove the spot map light.

B: INSTALLATION

Install in the reverse order of removal.

C: INSPECTION

1. SPOT MAP LIGHT BULB

- 1) Visually check the bulb for blow out.
- 2) Check the bulb specification. <Ref. to LI-2, SPECIFICATIONS, General Description.>
- 3) If NG, replace the bulb with a new one.

2. SPOT MAP LIGHT SWITCH

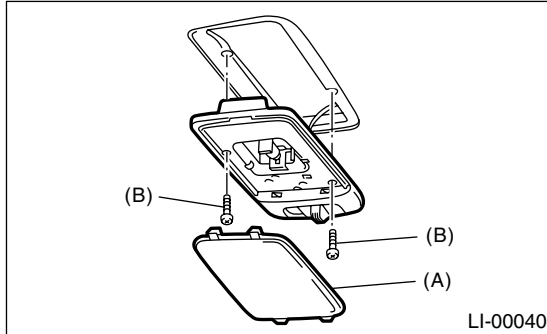
Measure the spot map light resistance.

Switch position	Terminal No.	Standard
OFF	—	More than 1 MΩ
ON	1 and 2	18±5.4 Ω

27.Room Light

A: REMOVAL

- 1) Disconnect the ground cable from battery.
- 2) Remove the lens (A) and room light mounting screws (B).



- 3) Disconnect the harness connectors and remove the light.

B: INSTALLATION

Install in the reverse order of removal.

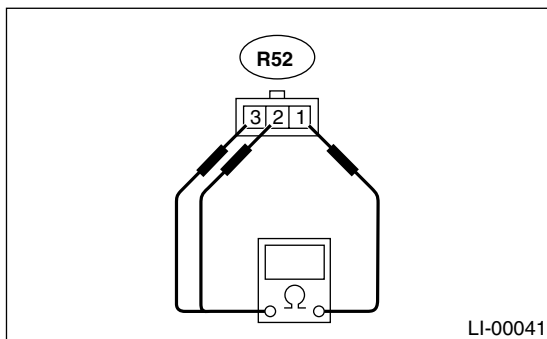
C: INSPECTION

1. ROOM LIGHT BULB

- 1) Visually check the bulb for blow out.
- 2) Check the bulb specification. <Ref. to LI-2, SPECIFICATIONS, General Description.>
- 3) If NG, replace the bulb with a new one.

2. ROOM LIGHT SWITCH

Measure the room light resistance.

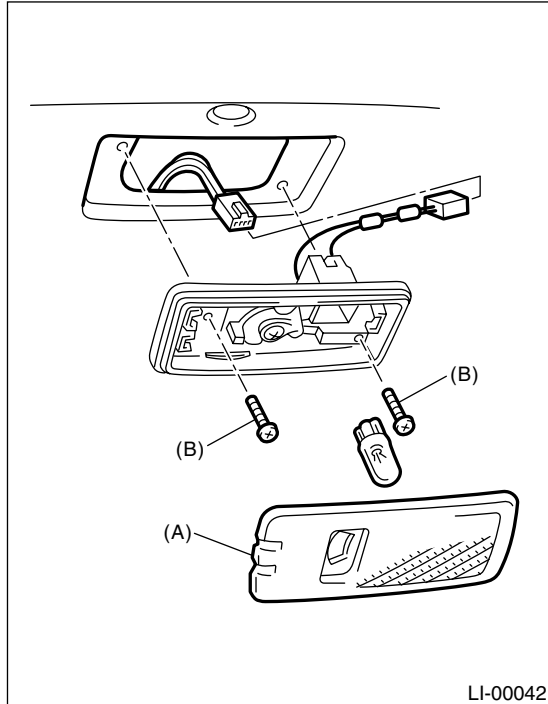


Switch position	Terminal No.	Standard
OFF	—	More than 1 MΩ
ON	1 and 3	1.5±0.5 Ω
DOOR	1 and 2	1.5±0.5 Ω

28. Luggage Room Light

A: REMOVAL

- 1) Disconnect the ground cable from battery.
- 2) Remove the lens (A) and luggage room light mounting screws (B).



- 3) Disconnect the harness connectors and remove the luggage room light.

B: INSTALLATION

Install in the reverse order of removal.

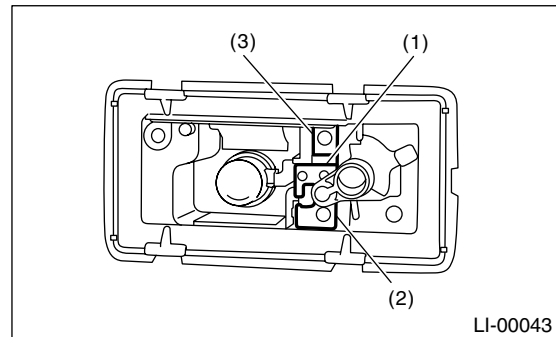
C: INSPECTION

1. LUGGAGE ROOM LIGHT BULB

- 1) Visually check the bulb for blow out.
- 2) Check the bulb specification. <Ref. to LI-2, SPECIFICATIONS, General Description.>
- 3) If NG, replace the bulb with a new one.

2. LUGGAGE ROOM LIGHT SWITCH

Measure the luggage room light resistance.

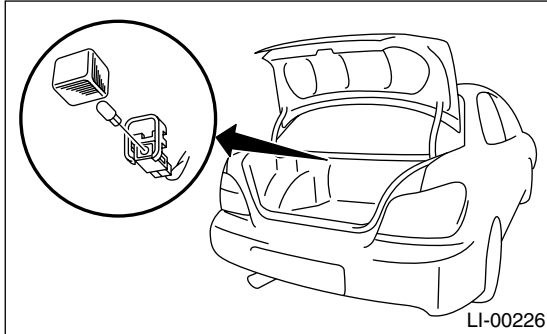


Switch position	Terminal No.	Standard
OFF	—	More than 1 MΩ
ON	1 and 3	1.5±0.5 Ω
DOOR	1 and 2	1.5±0.5 Ω

29. Trunk Room Light

A: REMOVAL

- 1) Disconnect the ground cable from battery.
- 2) Disconnect the harness connectors and remove the trunk room light.



B: INSTALLATION

Install in the reverse order of removal.

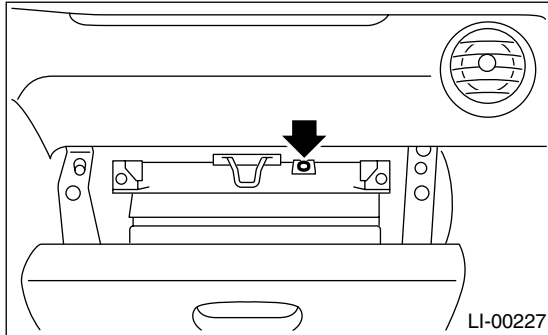
C: INSPECTION

- 1) Visually check the bulb for blow out.
- 2) Check the bulb specification. <Ref. to LI-2, SPECIFICATIONS, General Description.>
- 3) If NG, replace the bulb with a new one.

30. Glove Box Light

A: REMOVAL

- 1) Disconnect the ground cable from battery.
- 2) Remove the glove box. <Ref. to EI-39, REMOVAL, Glove Box.>
- 3) Disconnect the harness connector.
- 4) Remove the glove box light.



B: INSTALLATION

Install in the reverse order of removal.

C: INSPECTION

- 1) Visually check the bulb for blow out.
- 2) Check the bulb specification. <Ref. to LI-2, SPECIFICATIONS, General Description.>
- 3) If NG, replace the bulb with a new one.

Glove Box Light

LIGHTING SYSTEM
