

BODY SECTION

This service manual has been prepared to provide SUBARU service personnel with the necessary information and data for the correct maintenance and repair of SUBARU vehicles.

This manual includes the procedures for maintenance, disassembling, reassembling, inspection and adjustment of components and diagnostics for guidance of experienced mechanics.

Please peruse and utilize this manual fully to ensure complete repair work for satisfying our customers by keeping their vehicle in optimum condition. When replacement of parts during repair work is needed, be sure to use SUBARU genuine parts.

All information, illustration and specifications contained in this manual are based on the latest product information available at the time of publication approval.

HVAC SYSTEM (HEATER, VENTILATOR AND A/C)	AC
HVAC SYSTEM (AUTO A/C) (DIAGNOSTICS)	AC(diag)
AIRBAG SYSTEM	AB
AIRBAG SYSTEM (DIAGNOSTICS)	AB(diag)
SEAT BELT SYSTEM	SB
LIGHTING SYSTEM	LI
WIPER AND WASHER SYSTEMS	WW
ENTERTAINMENT	ET
COMMUNICATION SYSTEM	COM
GLASS/WINDOWS/MIRRORS	GW
BODY STRUCTURE	BS
INSTRUMENTATION/DRIVER INFO	IDI
SEATS	SE
SECURITY AND LOCKS	SL
SUNROOF/T-TOP/CONVERTIBLE TOP (SUNROOF)	SR
EXTERIOR/INTERIOR TRIM	EI
EXTERIOR BODY PANELS	EB

BODY SECTION

CRUISE CONTROL SYSTEM CC

**CRUISE CONTROL SYSTEM
(DIAGNOSTICS) CC(diag)**

IMMOBILIZER (DIAGNOSTICS) IM(diag)

WIPER AND WASHER SYSTEMS



	Page
1. General Description	2
2. Wiper and Washer System	6
3. Combination Switch (Wiper).....	7
4. Wiper Blade.....	9
5. Washer Tank and Motor.....	11
6. Front Wiper Arm.....	12
7. Front Wiper Motor and Link.....	13
8. Front Washer Nozzle	15
9. Rear Wiper Arm	16
10. Rear Wiper Motor.....	17
11. Rear Washer	18
12. Wiper Control Relay (Wagon Model)	19

General Description

WIPER AND WASHER SYSTEMS

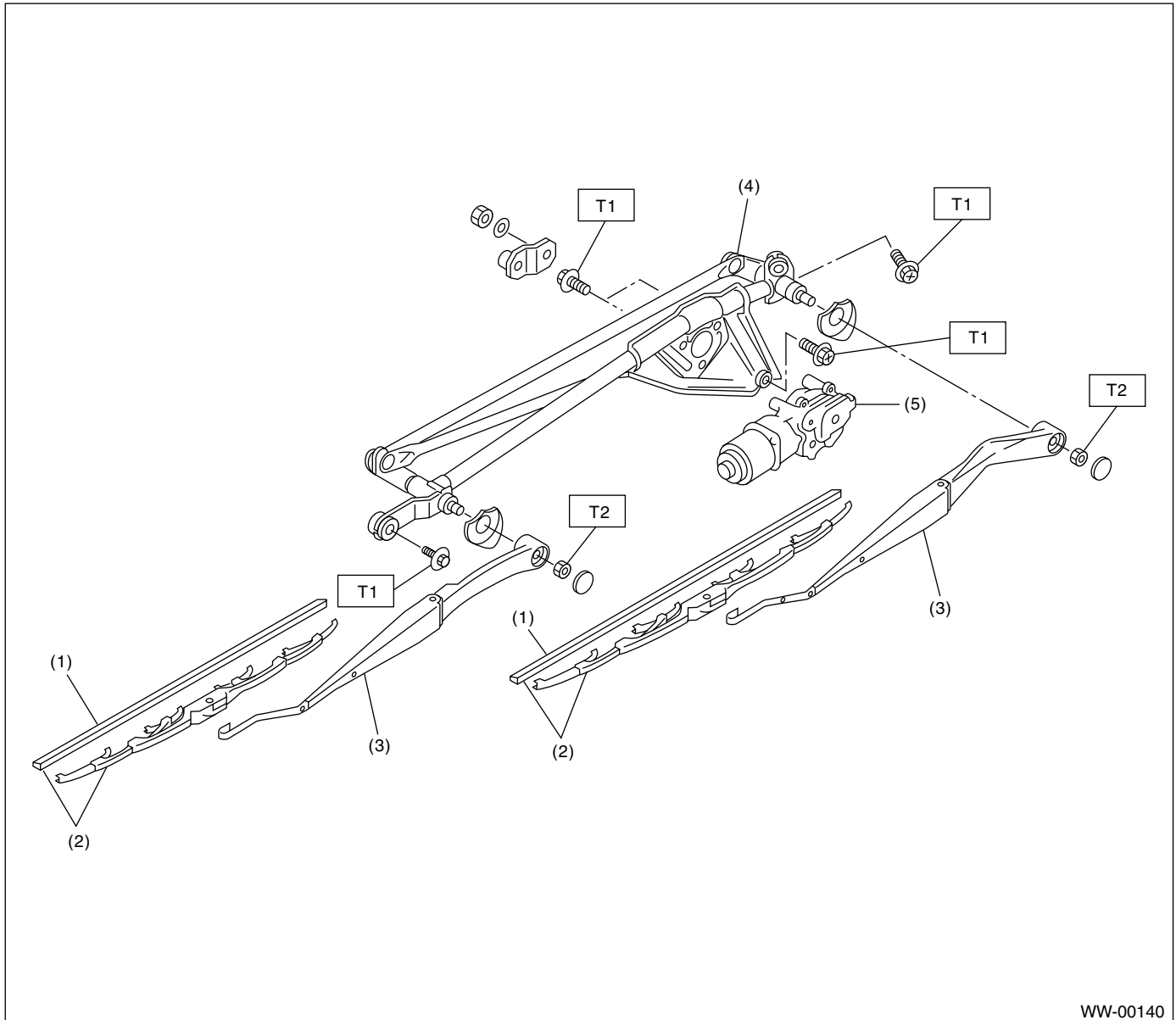
1. General Description

A: SPECIFICATIONS

Front wiper motor	Input	12 V — 72 W or less
Rear wiper motor	Input	12 V — 42 W or less
Front washer motor	Pump type	Centrifugal
	Input	12 V — 36 W or less
Rear washer motor	Pump type	Centrifugal
	Input	12 V — 36 W or less

B: COMPONENT

1. FRONT WIPER



WW-00140

- (1) Wiper rubber
- (2) Wiper blade ASSY
- (3) Wiper arm

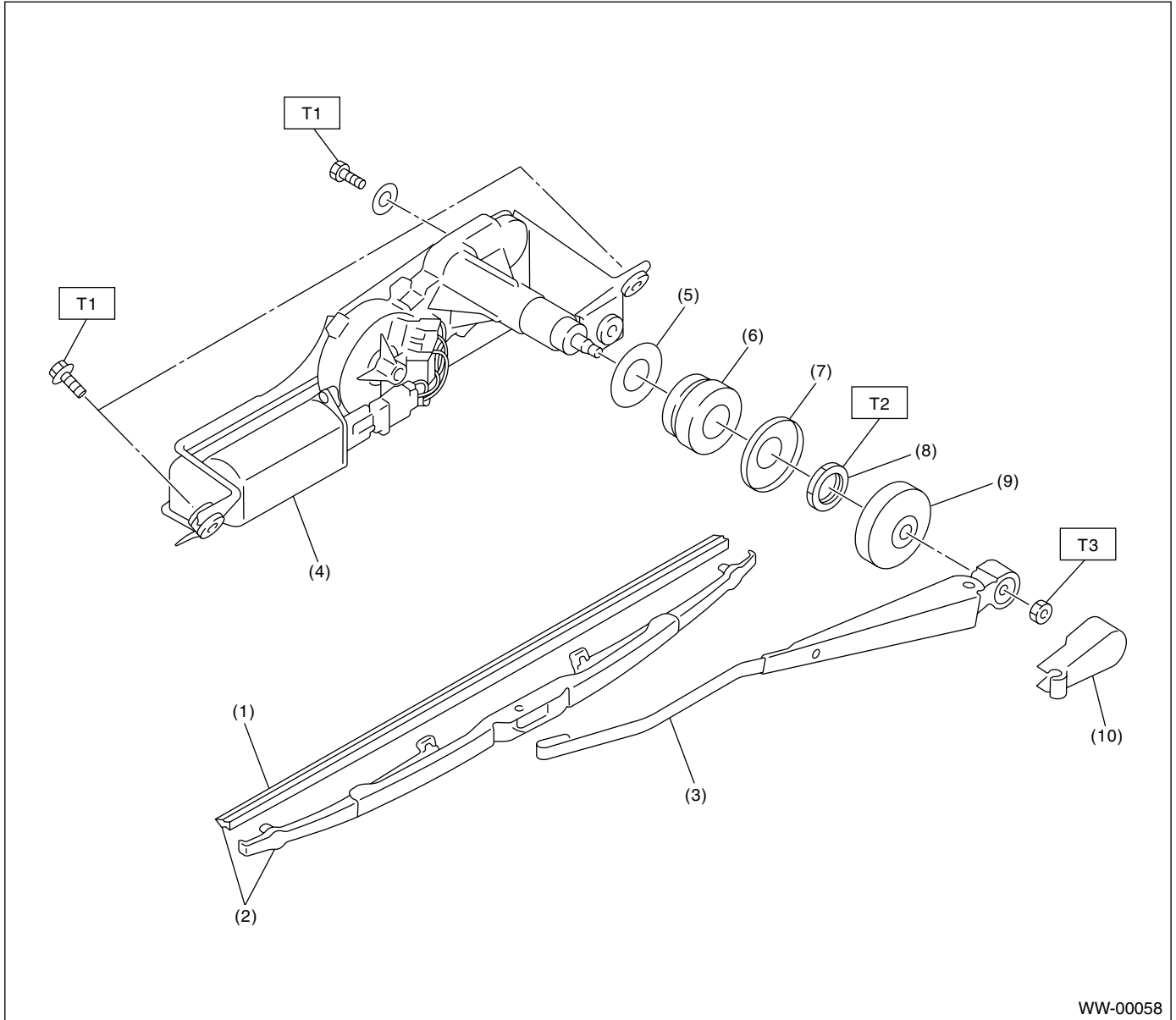
- (4) Wiper link
- (5) Wiper motor

Tightening torque: N·m (kgf·m, ft·lb)

T1: 6.0 (0.61, 4.4)

T2: 20 (2.0, 14.5)

2. REAR WIPER



- | | |
|----------------------|----------------------|
| (1) Wiper rubber | (7) Spacer B |
| (2) Wiper blade ASSY | (8) Nut |
| (3) Wiper arm | (9) Cap |
| (4) Wiper motor | (10) Wiper arm cover |
| (5) Spacer A | |
| (6) Cushion | |

Tightening torque: N-m (kgf-m, ft-lb)

T1: 6.0 (0.61, 4.4)

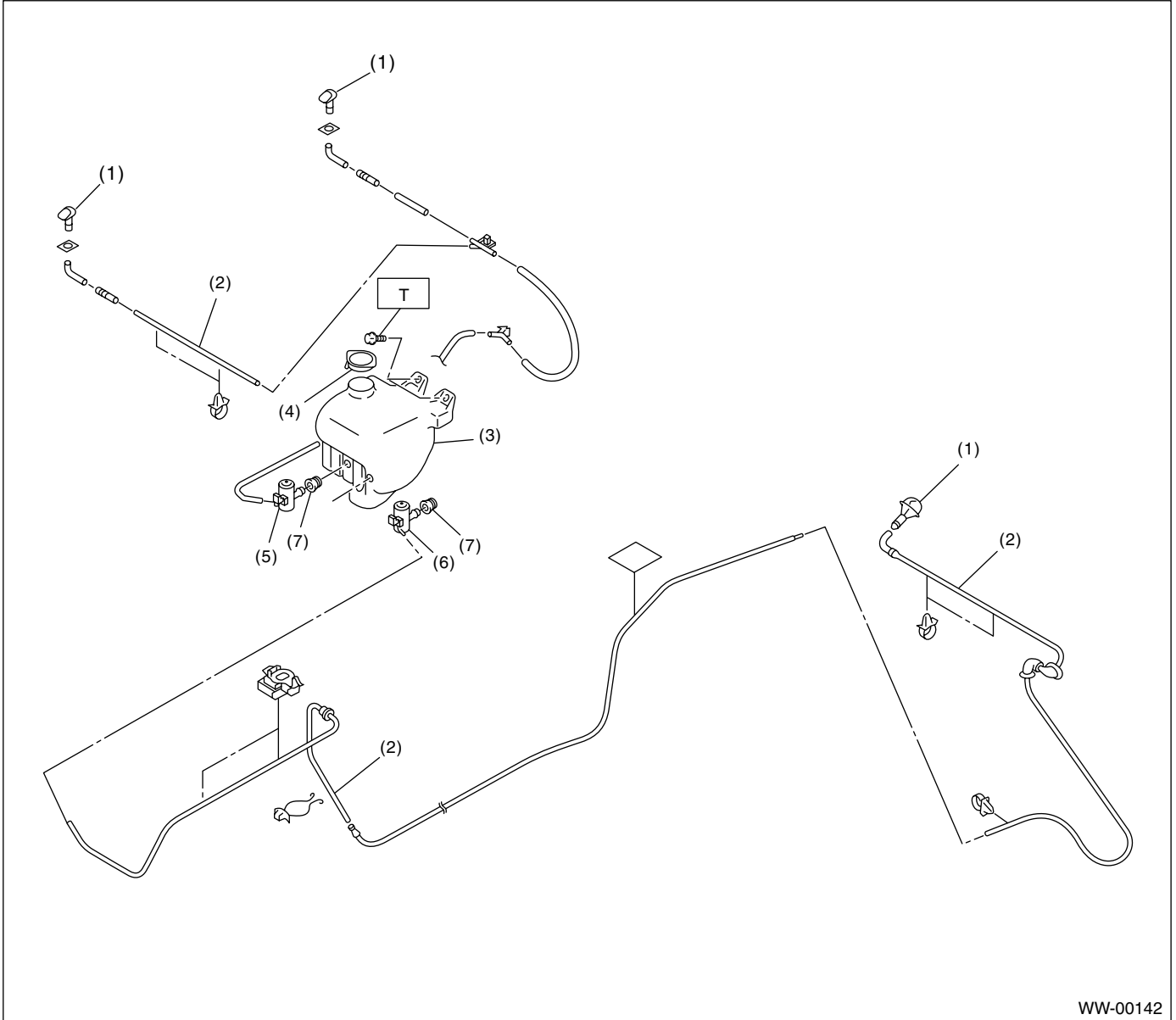
T2: 7.5 (0.76, 5.5)

T3: 8.0 (0.82, 5.9)

General Description

WIPER AND WASHER SYSTEMS

3. WASHER TANK



- (1) Washer nozzle
- (2) Washer hose
- (3) Washer tank
- (4) Washer tank cap

- (5) Front washer motor
- (6) Rear washer motor
- (7) Grommet

C: CAUTION

- Reconnect the connectors and hoses securely. After reconnecting, confirm that each function operates normally.
- Be careful that wiring harnesses of airbag system pass near electrical parts and switches.
- Wiring harnesses and connectors of all airbag system are yellow color. Do not use a tester on these circuits.
- Care must be taken when installing the piping hose so that no bending, jamming, etc. are caused.
- If even a little oil or grease such as silicon oil gets in the tank and washer passages, an oil film easily forms on the glass, causing the wiper to chatter and judder. Therefore, be careful not to let this happen.

Wiper and Washer System

WIPER AND WASHER SYSTEMS

2. Wiper and Washer System

A: WIRING DIAGRAM

1. WIPER AND WASHER (FRONT) LHD MODEL

<Ref. to WI-256, LHD MODEL, WIRING DIAGRAM, Wiper and Washer System (Front).>

2. WIPER AND WASHER (FRONT) RHD MODEL

<Ref. to WI-257, RHD MODEL, WIRING DIAGRAM, Wiper and Washer System (Front).>

3. WIPER AND WASHER (REAR) LHD MODEL

<Ref. to WI-258, LHD MODEL, WIRING DIAGRAM, Wiper and Washer System (Rear).>

4. WIPER AND WASHER (REAR) RHD MODEL

<Ref. to WI-259, RHD MODEL, WIRING DIAGRAM, Wiper and Washer System (Rear).>

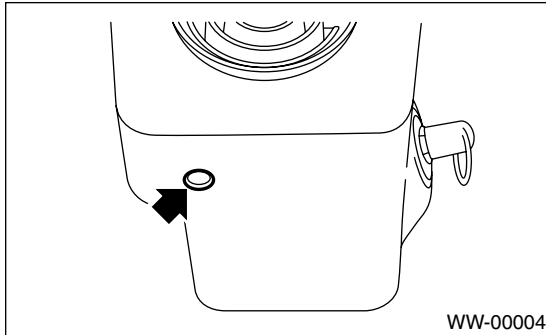
B: INSPECTION

Symptom	Repair order
Wiper and washers do not operate.	(1) Wiper fuse (F/B No. 14, 15) (2) Combination switch (3) Wiper motor (4) Wiring harness
Wipers do not operate in LO or HI.	(1) Combination switch (2) Wiper motor (3) Wiring harness
Wipers do not operate in INT.	(1) Combination switch (2) Wiper motor (3) Wiring harness
Washer motor does not operate.	(1) Washer switch (2) Washer motor (3) Wiring harness
Wipers do not operate when washer switch is ON.	(1) Washer motor (2) Wiring harness
Washer fluid spray does not operate.	(1) Washer motor (2) Washer hose and nozzle

3. Combination Switch (Wiper)

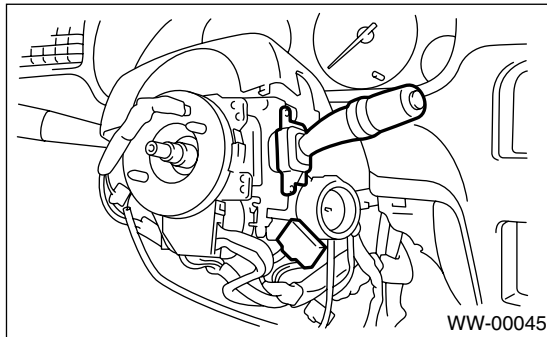
A: REMOVAL

1) Loosen the screw to remove steering column cover.



2) Disconnect the connectors from combination switches.

3) Loosen the screw to remove combination switch.

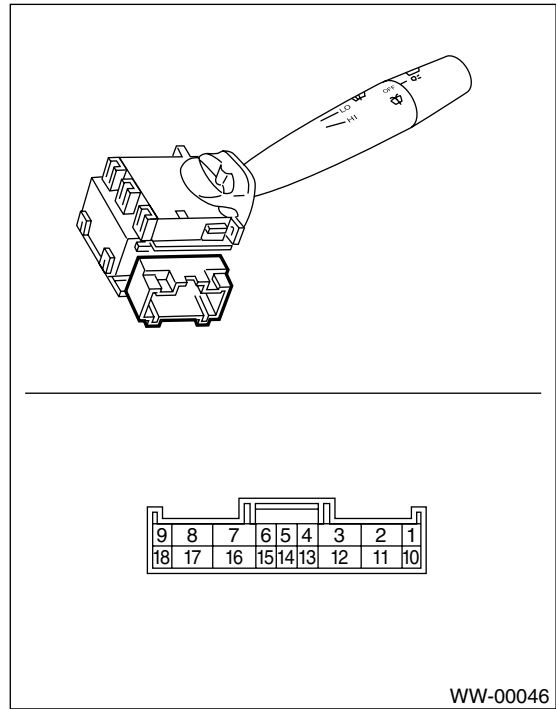


B: INSTALLATION

Install in the reverse order of removal.

C: INSPECTION

- Inspect the continuity between each connector terminal.



LHD model and RHD model (Europe model):

	Switch position	Terminal No.	Standard
FRONT	OFF	7 and 16	Less than 1 Ω
	INT	7 and 16	Less than 1 Ω
	LO	7 and 17	Less than 1 Ω
	HI	8 and 17	Less than 1 Ω
	Washer ON	2 and 11	Less than 1 Ω
REAR	Washer ON	2 and 10 10 and 12 2 and 12	Less than 1 Ω
	OFF	—	More than 1 MΩ
	ON	2 and 10	Less than 1 Ω
	Washer ON	2 and 10 10 and 12 2 and 12	Less than 1 Ω

If continuity is not as specified, replace the switch.

Combination Switch (Wiper)

WIPER AND WASHER SYSTEMS

RHD model (Except Europe model):

	Switch position	Terminal No.	Standard
FRONT	OFF	3 and 12	Less than 1 Ω
	INT	3 and 12	Less than 1 Ω
	LO	3 and 11	Less than 1 Ω
	HI	2 and 11	Less than 1 Ω
	Washer ON	8 and 17	Less than 1 Ω
REAR	Washer ON	8 and 16 16 and 18 8 and 18	Less than 1 Ω
	OFF	—	More than 1M Ω
	ON	8 and 18	Less than 1 Ω
	Washer ON	8 and 16 16 and 18 8 and 18	Less than 1 Ω

If continuity is not as specified, replace the switch.

- Intermittent operation inspection
- 1) Turn the wiper switch to INT.
 - 2) Adjust the intermittent control switch to MAX.
 - 3) Apply battery voltage to switch terminals 16 and 2.
 - 4) Inspect the voltage of combination switch terminals.

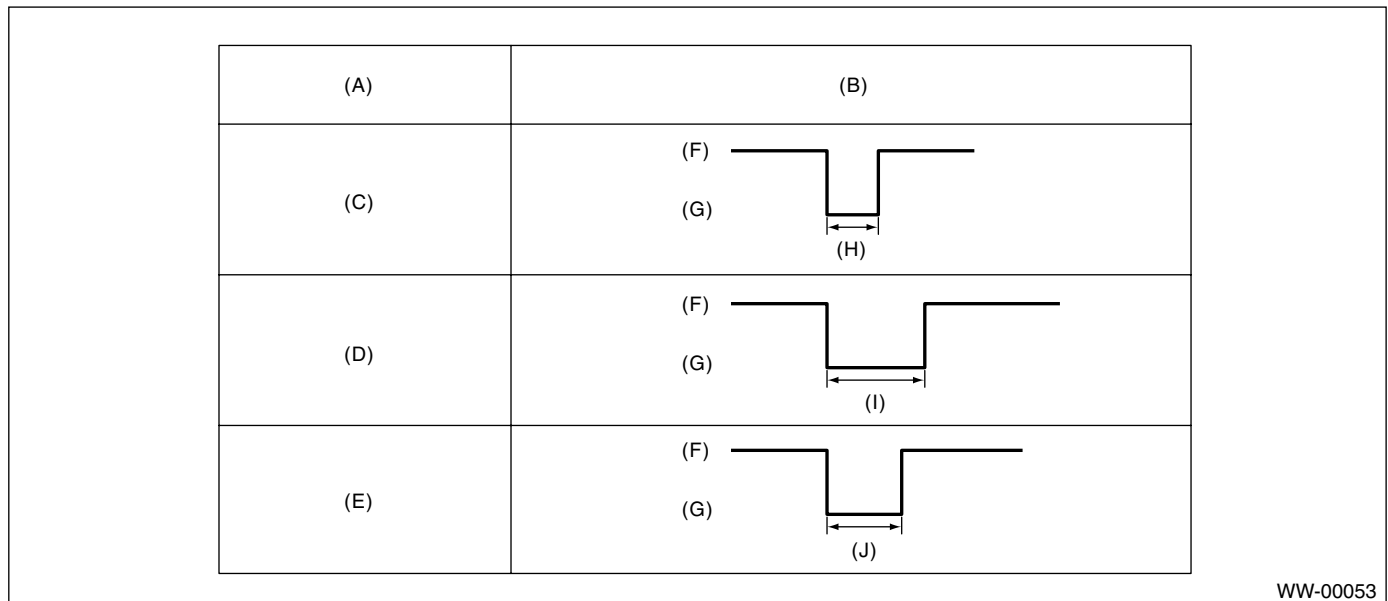
Terminals

LHD model and RHD model (Europe model)

No. 7 — No. 2:

RHD model (Except for Europe model)

No. 3 — No. 8:



WW-00053

(A) Switch position

(B) Voltage

(C) MIN.

(D) MAX.

(E) Non variable type

(F) 12 V

(G) 0 V

(H) Approx. 2 sec.

(I) 16 \pm 6 sec.

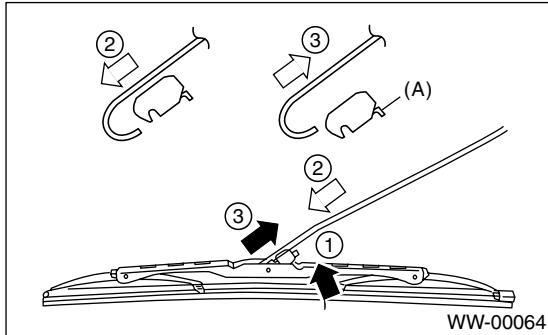
(J) 3 \pm 1 sec.

If operation is not as specified, replace the switch.

4. Wiper Blade

A: REMOVAL

While pushing the locking clip (A) up, pull out the blade from arm to arrow direction.



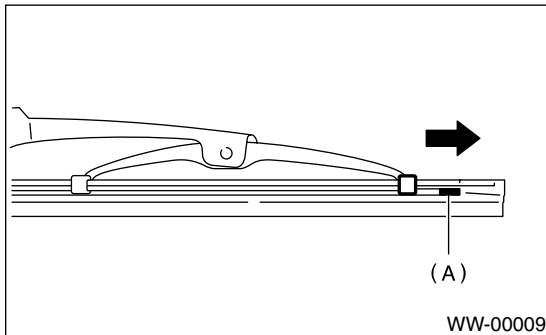
B: INSTALLATION

- 1) Install in the reverse order of removal.
- 2) Confirm that the clip is locked securely.

C: DISASSEMBLY

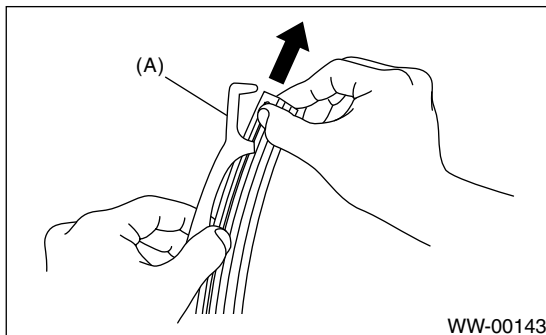
1. METAL TYPE

Pull on the side (A) of wiper rubber stopper, and then remove the rubber from blade assembly.



2. RESIN TYPE

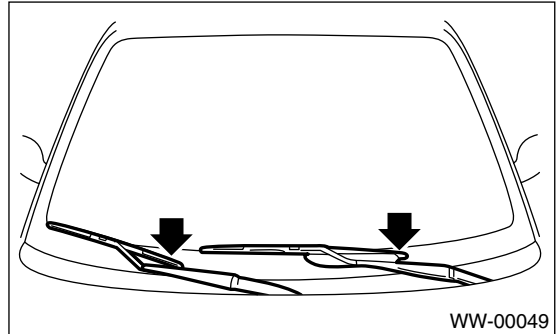
Pull the wiper rubber top slightly from the stopper (A) and pull it out fully.



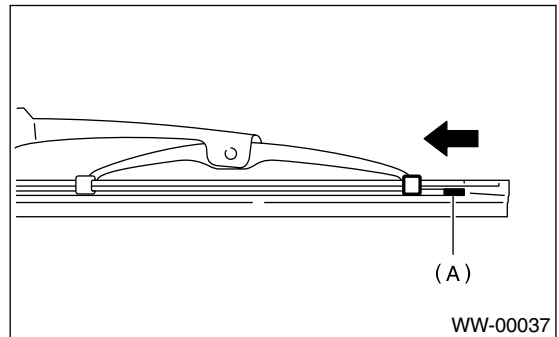
D: ASSEMBLY

1. METAL TYPE

- 1) Insert the wiper rubber onto blade so that the stopper is in the position shown.



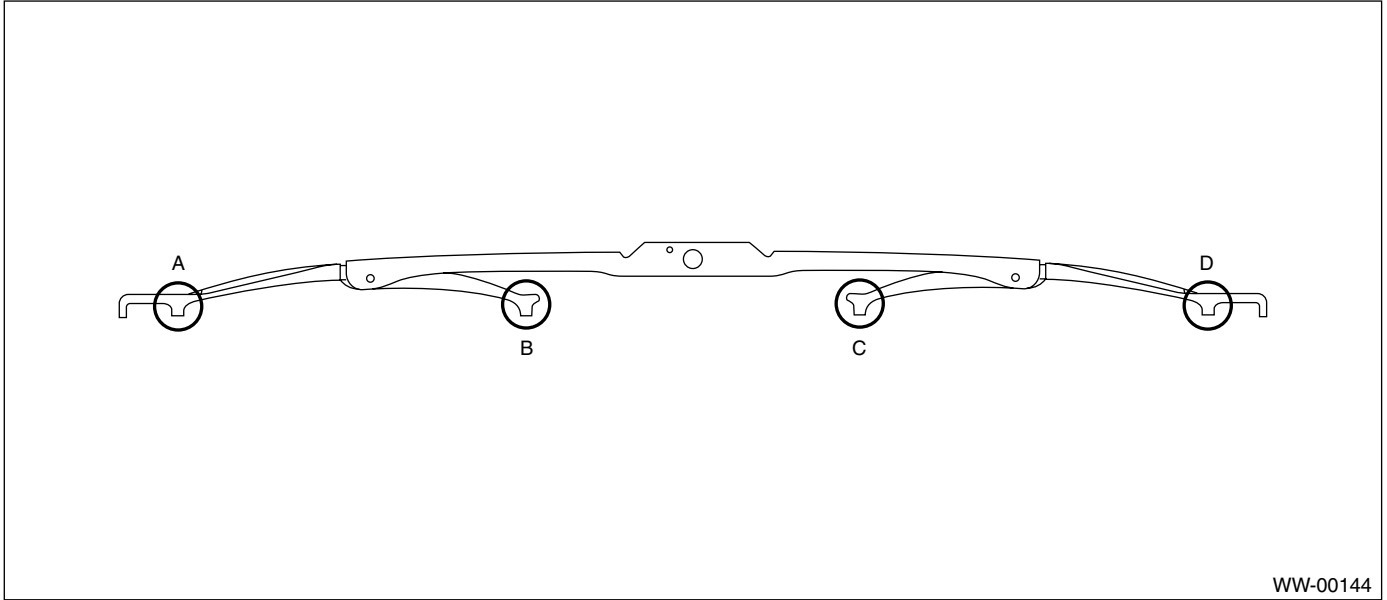
- 2) Make sure the wiper rubber is securely fastened to the pull stopper (A).



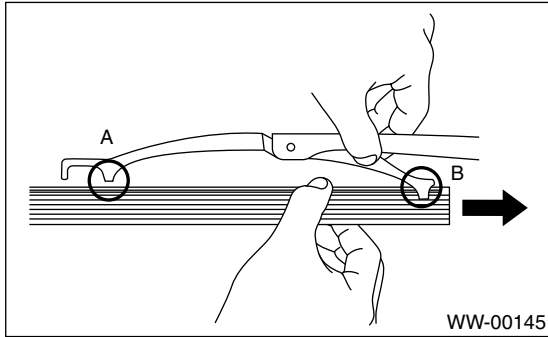
Wiper Blade

WIPER AND WASHER SYSTEMS

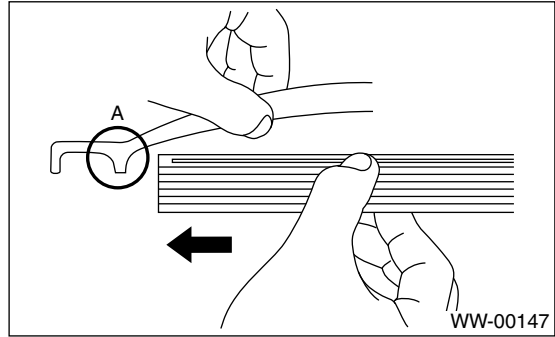
2. RESIN TYPE



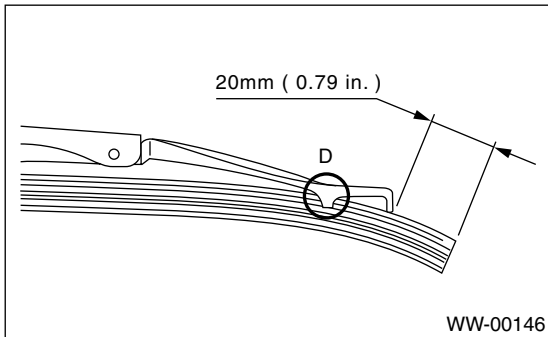
1) Insert the wiper rubber through the claw (B).



3) Insert the wiper rubber into the claw (A).



2) Insert the wiper rubber top until it protrudes about 20 mm (0.79 in) from the stopper (D).



E: INSPECTION

1) When the wiper does not perform well, inspect the following:

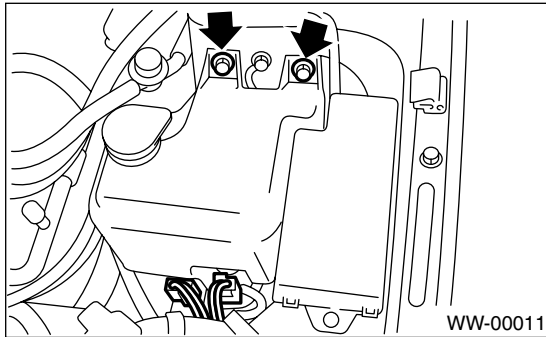
- Make sure the movable part of the blade assembly moves smoothly.
- Make sure the wiper rubber is not deformed or damaged.

2) Replace them with new parts if damaged.

5. Washer Tank and Motor

A: REMOVAL

- 1) Open the hood.
- 2) Disconnect the ground cable from battery.
- 3) Remove the two bolts, hose and connector, and then remove the tank.



B: INSTALLATION

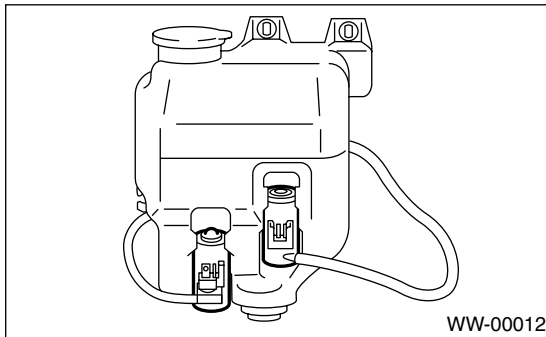
Install in the reverse order of removal.

Tightening torque:

6.0 N·m (0.61 kgf-m, 4.4 ft-lb)

C: DISASSEMBLY

Pull out the washer motor from tank.

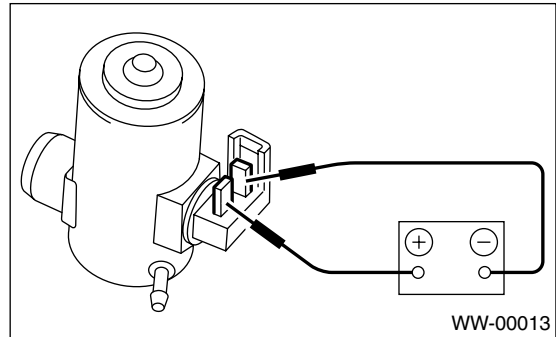


D: ASSEMBLY

- 1) Assemble in the reverse order of disassembly.
- 2) Confirm that water does not leak from installation area of motor.

E: INSPECTION

Apply battery voltage to the connector terminal of the washer motor and make sure the motor operates.



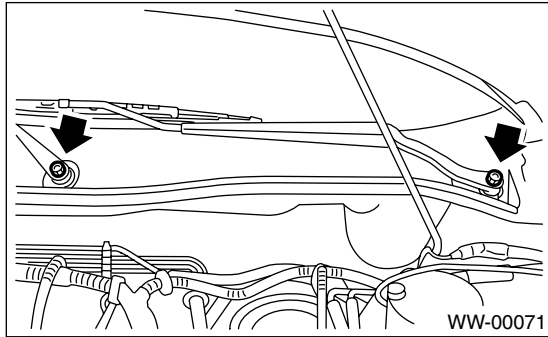
6. Front Wiper Arm

A: REMOVAL

NOTE:

The positions for RHD model are symmetrically opposite.

- 1) Open the hood.
- 2) Remove the cap.
- 3) Loosen the nut to remove arm.

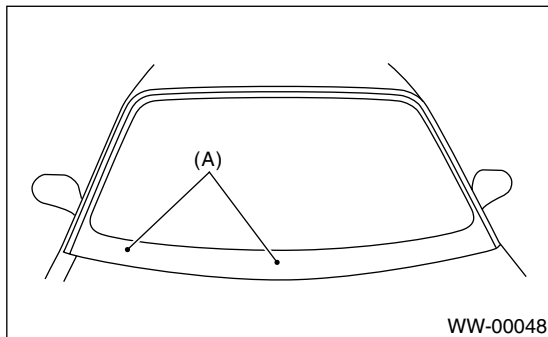


B: INSTALLATION

NOTE:

The positions for RHD model are symmetrically opposite.

- 1) Install in the reverse order of removal.
- 2) Operate the wiper once.
- 3) Align the wiper blade to the ceramic print point mark (A) of front window pane.

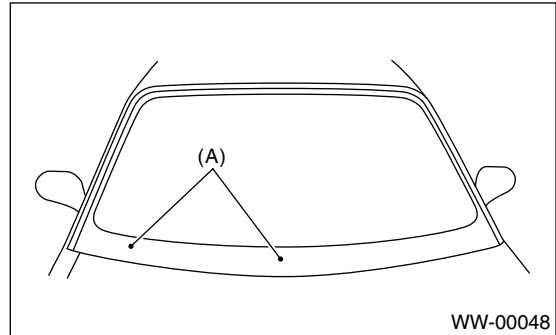


C: ADJUSTMENT

NOTE:

The positions for RHD model are symmetrically opposite.

Operate the wiper once. Align the wiper blade to the ceramic print point mark (A) of front window pane.



Tightening torque:

Refer to COMPONENT in General Description.

<Ref. to WW-2, FRONT WIPER, COMPONENT, General Description.>

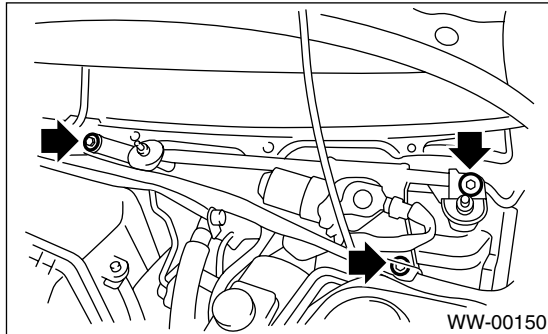
7. Front Wiper Motor and Link

A: REMOVAL

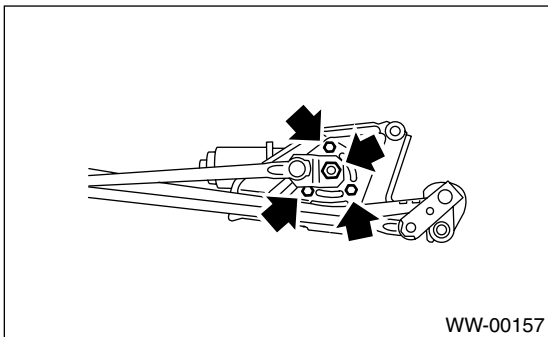
NOTE:

The positions for RHD model are symmetrically opposite.

- 1) Disconnect the ground cable from battery.
- 2) Remove the cowl panel. <Ref. to EI-32, REMOVAL, Cowl Panel.>
- 3) Disconnect the connector of motor.
- 4) Loosen the bolts to remove wiper link.

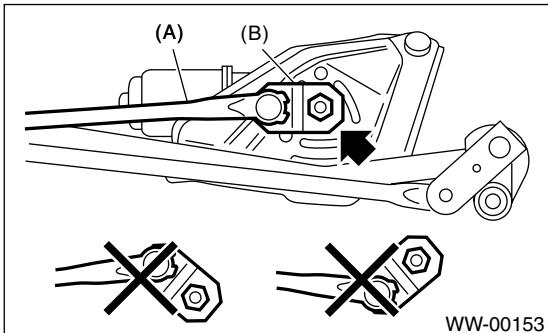


- 5) Loosen the bolts and nuts to remove motor.



B: INSTALLATION

- 1) Connect the battery ground cable to battery.
- 2) To confirm that the motor is at auto stop position, connect the harness to motor and turn the wiper switch ON/OFF once.
- 3) Disconnect the ground cable from battery.
- 4) Tighten the nut where rod (A) and link plate (B) is aligned in a straight line.



- 5) Install in the reverse order of removal.

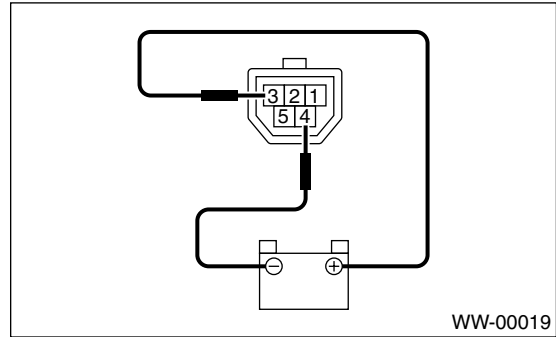
Tightening torque:

Refer to **COMPONENT** in *General Description*.

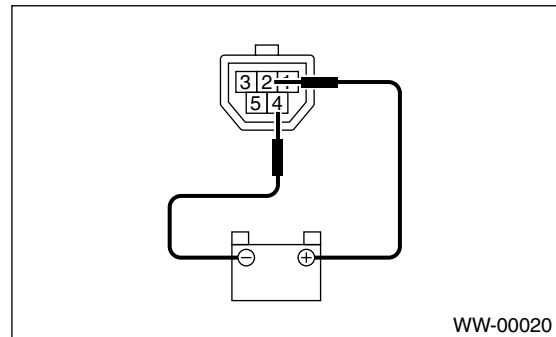
<Ref. to **WW-2, FRONT WIPER, COMPONENT, General Description.**>

C: INSPECTION

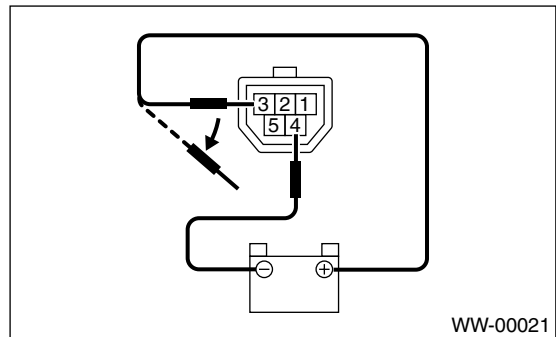
- 1) When the battery is connected to the terminal of connectors, confirm that the motor operates at low speed.



- 2) When the battery is connected to the terminal of connectors, confirm that the motor operates at high speed.



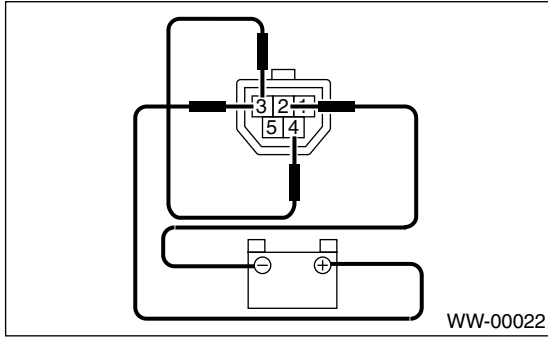
- 3) Connect the battery to terminals of connector, and then remove the terminal connection with motor rotated at low speed, and stop the wiper motor through operation.



Front Wiper Motor and Link

WIPER AND WASHER SYSTEMS

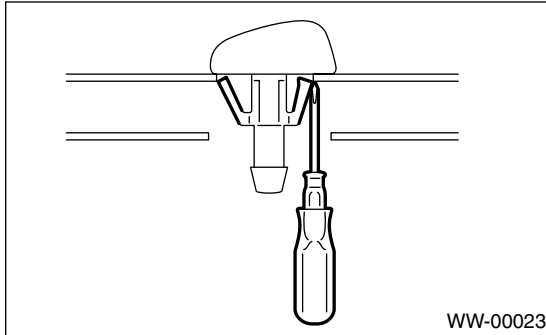
4) Connect the battery and confirm that the motor stops at automatic stop position after the motor operates at low speed again.



8. Front Washer Nozzle

A: REMOVAL

- 1) Remove the washer hose from washer nozzle.
- 2) Open the clips on the underside of hood with a thin screwdriver or other tool, and then remove the washer nozzle.



B: INSTALLATION

- 1) Install in the reverse order of removal.
- 2) Adjust the position of the washer liquid sprayer.
<Ref. to WW-15, ADJUSTMENT, Front Washer Nozzle.>

C: INSPECTION

- Make sure the nozzle and hose are not clogged.
- Make sure the hose is not bent.

D: ADJUSTMENT

NOTE:

This adjustment position is for left-handed vehicle. Carry out left-right symmetry for adjustment positions for right-handed vehicle.

- 1) Turn the wiper switch to OFF position.
- 2) When the vehicle stops, adjust the washer injection position as shown in the figure.

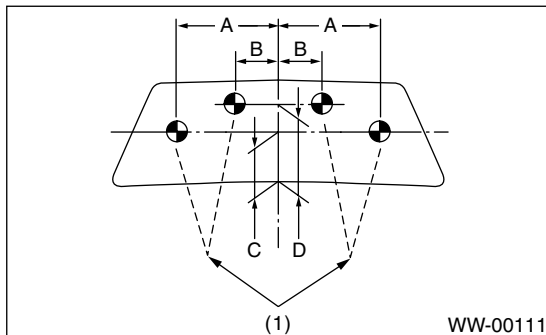
Injection position:

A: 350 mm (13.78 in)

B: 162 mm (6.38 in)

C: 300 mm (11.81 in)

D: 500 mm (19.69 in)

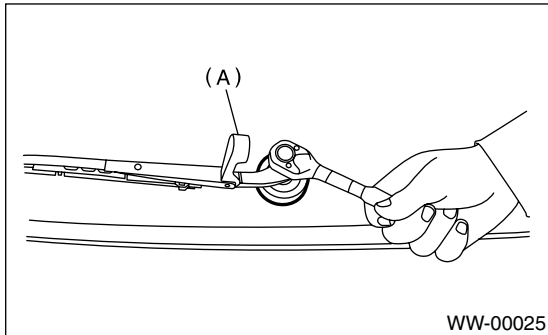


(1) Nozzle

9. Rear Wiper Arm

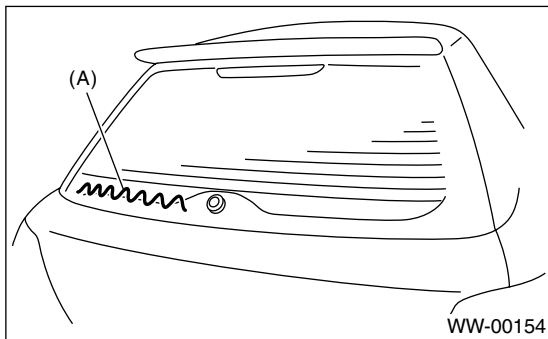
A: REMOVAL

- 1) Raise the wiper arm cover (A).
- 2) Loosen the nut to remove wiper arm.



B: INSTALLATION

- 1) Install in the reverse order of removal.
- 2) Operate the rear wiper once.
- 3) Align the blade to rear defogger heat wire (A).



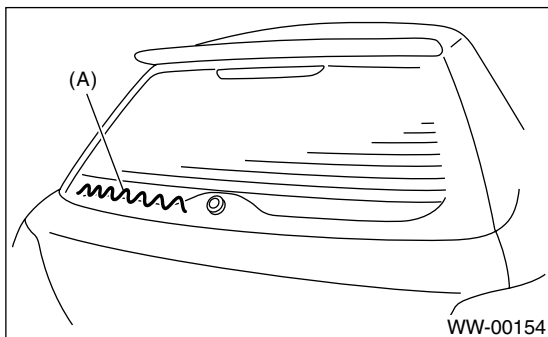
Tightening torque:

Refer to COMPONENT in General Description.

<Ref. to WW-3, REAR WIPER, COMPONENT, General Description.>

C: ADJUSTMENT

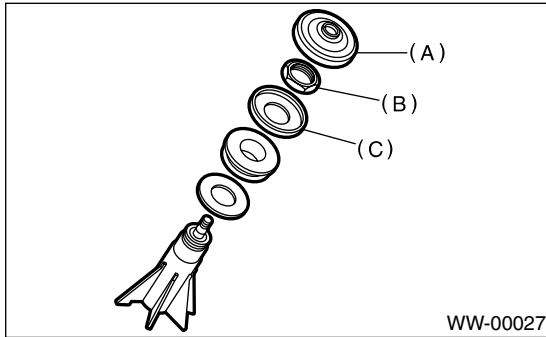
- 1) Operate the rear wiper once.
- 2) Align the blade to rear defogger heat wire (A).



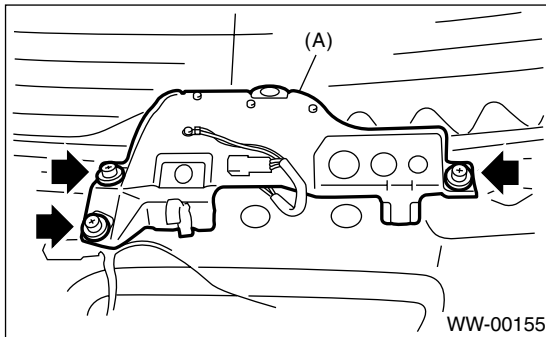
10.Rear Wiper Motor

A: REMOVAL

- 1) Disconnect the ground cable from battery.
- 2) Remove the rear wiper arm.
- 3) Remove the cap (A), nut (B) and spacer (C) from rear wiper shaft.

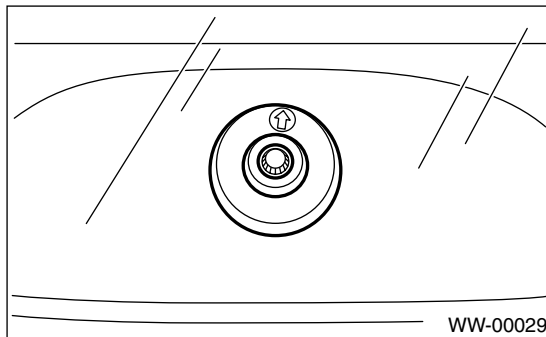


- 4) Remove the rear gate lower trim. <Ref. to EI-52, REMOVAL, Rear Gate Trim.>
- 5) Unclip the clip of harness, and then disconnect the connector of wiper motor.
- 6) Loosen the bolts to remove the wiper motor assembly (A).



B: INSTALLATION

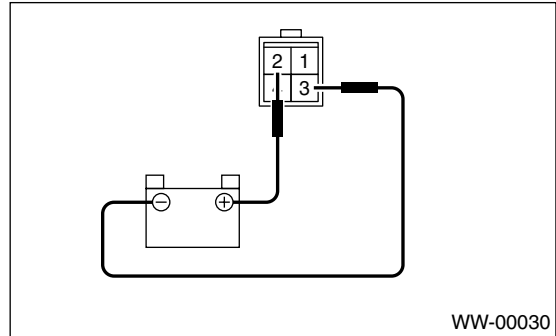
- 1) Install in the reverse order of removal.
- 2) Install the rear wiper cushion with the arrow mark facing up, as shown in the figure.



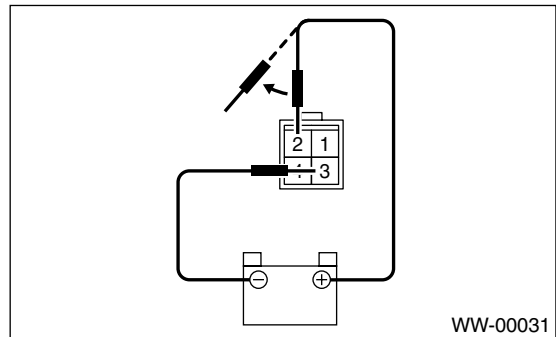
Tightening torque:
 Refer to **COMPONENT** in **General Description**.
 <Ref. to WW-3, REAR WIPER, COMPONENT, General Description.>

C: INSPECTION

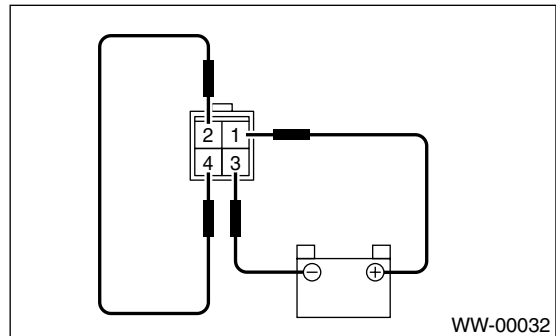
- 1) Connect the battery to wiper motor connector and confirm that the wiper motor operates.



- 2) Connect the battery to terminal of connector, and then remove the terminal connections with motor rotated, and stop the wiper motor through operation.



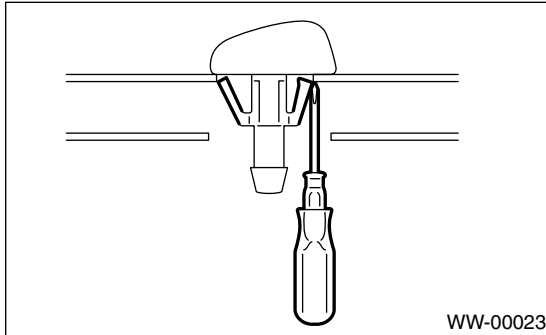
- 3) Connect the battery and confirm that the motor stops at automatic stop position after the motor operates at low speed again.



11.Rear Washer

A: REMOVAL

- 1) Remove the high-mount stop light. <Ref. to LI-27, REMOVAL, High-mounted Stop Light.>
- 2) Remove the washer hose from washer nozzle.
- 3) Open the clips on the underside of hood with a thin screwdriver or other tool, and then remove the washer nozzle.



B: INSTALLATION

- 1) Install in the reverse order of removal.
- 2) Adjust the position of the washer liquid sprayer. <Ref. to WW-18, ADJUSTMENT, Rear Washer.>

C: INSPECTION

- Make sure the nozzle and hose are not clogged.
- Make sure the hose is not bent.

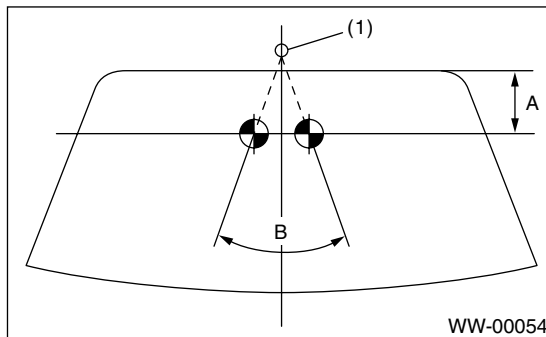
D: ADJUSTMENT

- 1) Turn the wiper switch to OFF position.
- 2) When the vehicle stops, adjust the washer injection position as shown in the figure.

Injection position:

A: 39 mm (1.54 in)

B: 72°

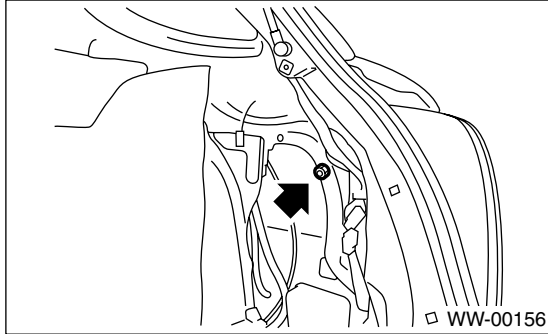


(1) Nozzle

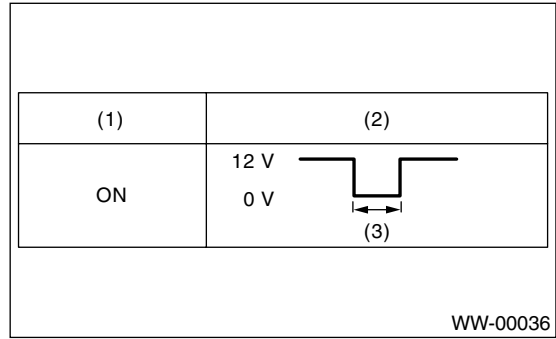
12. Wiper Control Relay (Wagon Model)

A: REMOVAL

- 1) Disconnect the ground cable from battery.
- 2) Remove the right quarter lower trim. <Ref. to EI-48, REMOVAL, Rear Quarter Trim.>
- 3) Loosen the nut to remove control unit.



- 3) Measure the voltage when the wiper relay is operated.



- (1) Switch position
- (2) Voltage
- (3) 9 ± 2 sec.

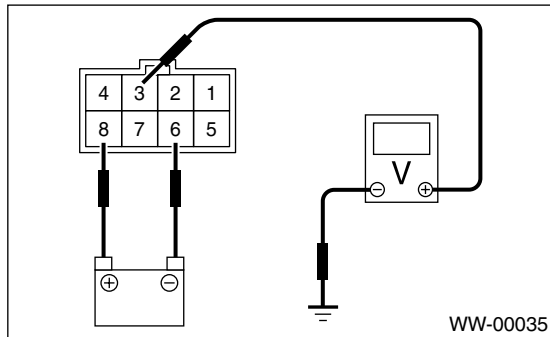
If operation is not as specified, replace the switch.

B: INSTALLATION

Install in the reverse order of removal.

C: INSPECTION

- 1) Disconnect the connector from wiper control relay.
- 2) Connect the positive (+) lead from the battery to terminal 8 and the negative (-) lead to terminal 6. Connect the positive (+) lead from the voltmeter to terminal 3 and the negative (-) lead to ground.



Wiper Control Relay (Wagon Model)

WIPER AND WASHER SYSTEMS
