

**ENGINE SECTION 2**

This service manual has been prepared to provide SUBARU service personnel with the necessary information and data for the correct maintenance and repair of SUBARU vehicles.

This manual includes the procedures for maintenance, disassembling, reassembling, inspection and adjustment of components and diagnostics for guidance of experienced mechanics.

Please peruse and utilize this manual fully to ensure complete repair work for satisfying our customers by keeping their vehicle in optimum condition. When replacement of parts during repair work is needed, be sure to use SUBARU genuine parts.

All information, illustration and specifications contained in this manual are based on the latest product information available at the time of publication approval.

**FUEL INJECTION (FUEL SYSTEMS) FU(H4DOTC)**

**EMISSION CONTROL (AUX. EMISSION CONTROL DEVICES) EC(H4DOTC)**

**INTAKE (INDUCTION) IN(H4DOTC)**

**MECHANICAL ME(H4DOTC)**

**EXHAUST EX(H4DOTC)**

**COOLING CO(H4DOTC)**

**LUBRICATION LU(H4DOTC)**

**SPEED CONTROL SYSTEMS SP(H4DOTC)**

**IGNITION IG(H4DOTC)**

**STARTING/CHARGING SYSTEMS SC(H4DOTC)**

**ENGINE (DIAGNOSTICS) EN(H4DOTC)(diag)**

# COOLING

# *CO(H4DOTC)*

---

	<b>Page</b>
1. General Description .....	2
2. Radiator Main Fan System.....	8
3. Radiator Sub Fan System .....	13
4. Engine Coolant.....	18
5. Water Pump .....	20
6. Thermostat .....	22
7. Radiator.....	23
8. Radiator Cap .....	27
9. Radiator Main Fan and Fan Motor .....	28
10. Radiator Sub Fan and Fan Motor.....	30
11. Reservoir Tank.....	32
12. Coolant Filler Tank .....	33
13. Engine Cooling System Trouble in General .....	34

# General Description

COOLING

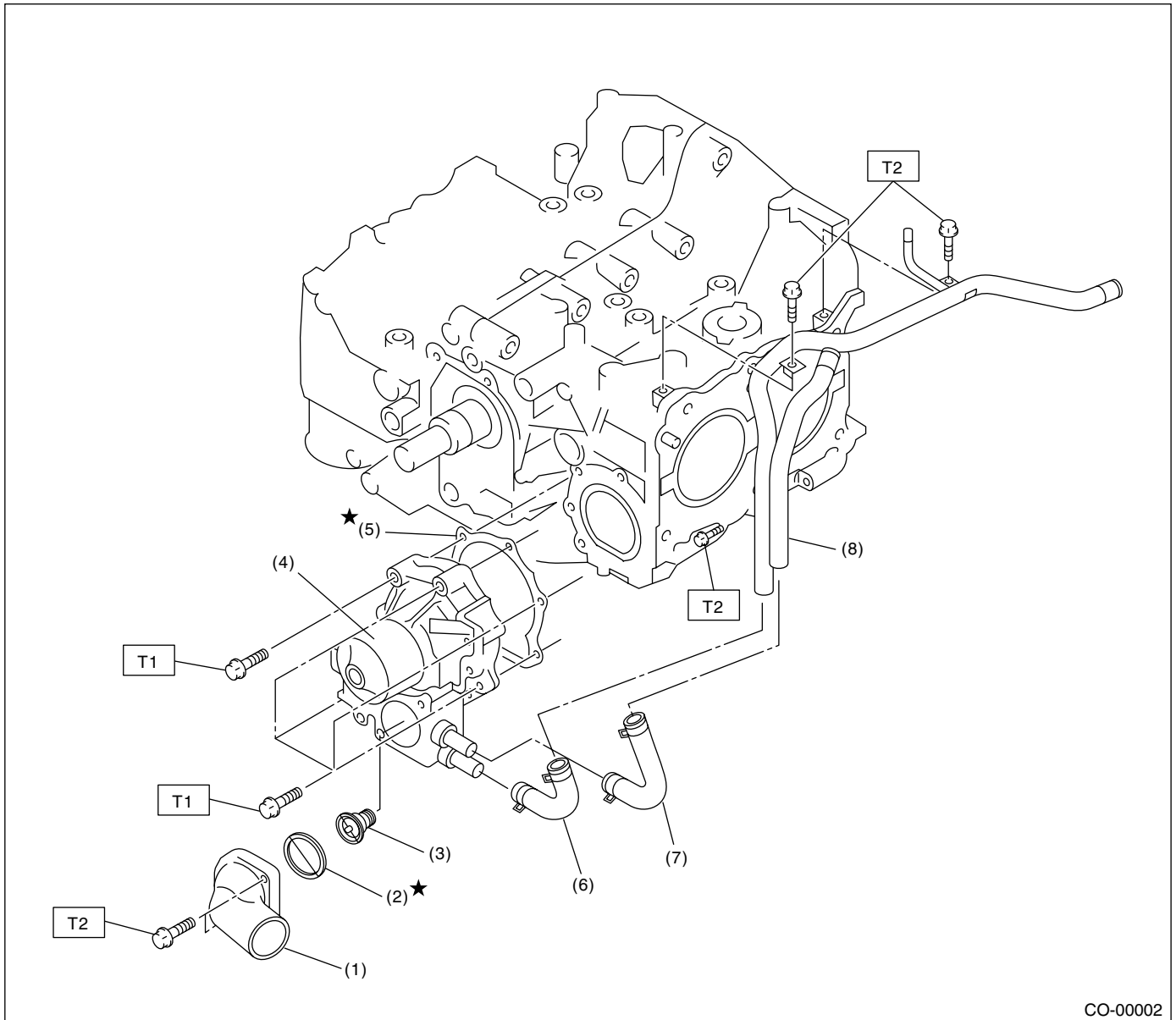
## 1. General Description

### A: SPECIFICATIONS

Model		DOHC TURBO		
Cooling system		Electric fan + Forced engine coolant circulation system		
Total engine coolant capacity		ℓ (US qt, Imp qt)		
		AT: Approx. 7.6 (8.03, 6.69) MT: Approx. 7.7 (8.14, 6.78)		
Water pump	Type	Centrifugal impeller type		
	Discharge performance I	Discharge	20 ℓ (5.3 US gal, 4.4 Imp gal)/min.	
		Pump speed — Discharge pressure	760 rpm — 2.9 kPa (0.3 mAq)	
		Engine coolant temperature	85°C (185°F)	
	Discharge performance II	Discharge	100 ℓ (26.4 US gal, 22.0 Imp gal)/min.	
		Pump speed — Discharge pressure	3,000 rpm — 49.0 kPa (5.0 mAq)	
		Engine coolant temperature	85°C (185°F)	
	Discharge performance III	Discharge	200 ℓ (52.8 US gal, 44.0 Imp gal)/min.	
		Pump speed — Discharge pressure	6,000 rpm — 225.4 kPa (23.0 mAq)	
		Engine coolant temperature	85°C (185°F)	
	Impeller diameter		76 mm (2.99 in)	
	Number of impeller vanes		8	
	Pump pulley diameter		60 mm (2.36 in)	
Clearance between impeller and case	Standard	0.5 — 0.7 mm (0.020 — 0.028 in)		
	Limit	1.0 mm (0.039 in)		
"Thrust" runout of impeller end		0.5 mm (0.020 in)		
Thermostat	Type	Wax pellet type		
	Starts to open	76 — 80°C (169 — 176°F)		
	Fully opened	91°C (196°F)		
	Valve lift	9.0 mm (0.354 in) or more/91°C (196°F)		
	Valve bore	35 mm (1.38 in)		
Radiator fan	Motor	Main fan	120 W	
		Sub fan	120 W	
	Fan diameter × Blade		320 mm (11.81 in) × 5 (main fan) 320 mm (11.81 in) × 7 (sub fan)	
Radiator	Type	Down flow, pressure type		
	Core dimensions	Width × Height × Thickness	AT: 691.5 × 340 × 16 mm (27.22 × 13.39 × 0.63 in) MT: 691.5 × 340 × 27 mm (27.22 × 13.39 × 1.06 in)	
	Pressure range in which cap valve is open	Coolant filler tank side	Above: 108±15 kPa (1.1±0.15 kg/cm <sup>2</sup> , 16±2 psi) Below: -1.0 to -4.9 kPa (-0.01 to -0.05 kg/cm <sup>2</sup> , -0.1 to -0.7 psi)	
		Radiator side	Above only: 137±14.7 kPa (1.40±0.15 kg/cm <sup>2</sup> , 20±2.1 psi)	
	Fins		Corrugated fin type	
Reservoir tank	Capacity	0.5 ℓ (0.5 US qt, 0.4 Imp qt)		

## B: COMPONENT

### 1. WATER PUMP



CO-00002

- |                      |                                      |
|----------------------|--------------------------------------|
| (1) Thermostat cover | (6) Heater by-pass hose              |
| (2) Gasket           | (7) Coolant filler tank by-pass hose |
| (3) Thermostat       | (8) Water by-pass pipe               |
| (4) Water pump ASSY  |                                      |
| (5) Gasket           |                                      |

**Tightening torque: N-m (kgf-m, ft-lb)**

**T1: First 12 (1.2, 8.7)  
Second 12 (1.2, 8.7)**

**T2: 6.5 (0.66, 4.8)**



# General Description

COOLING

---

(1) Radiator lower cushion	(19) ATF outlet hose A (AT model)	(32) Oil cooler inlet hose B (MT model with oil cooler)
(2) Radiator	(20) ATF pipe (AT model)	
(3) Radiator upper cushion	(21) ATF inlet hose B (AT model)	(33) Oil cooler outlet hose B (MT model with oil cooler)
(4) Radiator upper bracket	(22) ATF outlet hose B (AT model)	
(5) Clamp	(23) Radiator outlet hose	(34) Spacer (MT model with oil cooler)
(6) Radiator inlet hose	(24) Radiator drain plug	(35) Cushion (MT model with oil cooler)
(7) Engine coolant reservoir tank cap	(25) Engine coolant filler tank	
(8) Overflow hose A	(26) Radiator cap (engine coolant filler tank cap)	(36) Setting washer (MT model with oil cooler)
(9) Engine coolant reservoir tank		
(10) Overflow pipe	(27) Engine overflow hose	(37) Radiator lower bracket
(11) Radiator sub fan shroud	(28) Engine air breather hose	(38) Overflow hose B
(12) Radiator sub fan	(29) Oil cooler inlet hose A (MT model with oil cooler)	
(13) Radiator sub fan motor		
(14) Radiator main fan shroud	(30) Oil cooler outlet hose A (MT model with oil cooler)	
(15) Radiator main fan		
(16) Radiator main fan motor	(31) Oil cooler pipe (MT model with oil cooler)	
(17) ATF hose clamp (AT model)		
(18) ATF inlet hose A (AT model)		

---

**Tightening torque: N·m (kgf·m, ft·lb)**

**T1: 4.4 (0.45, 3.3)**

**T2: 7.5 (0.76, 5.5)**

**T3: 18 (1.8, 13.0)**

**T4: 3.4 (0.35, 2.5)**

---

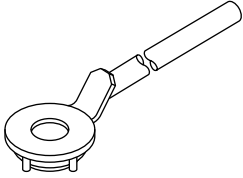
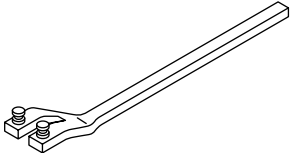
## General Description

### COOLING

#### C: CAUTION

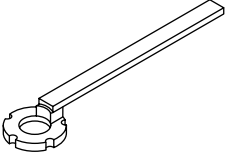
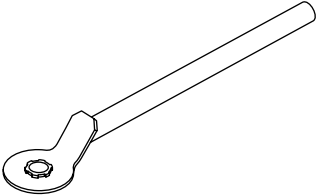
- Wear working clothing, including a cap, protective goggles and protective shoes during operation.
- Remove contamination including dirt and corrosion before removal, installation or disassembly.
- Keep the disassembled parts in order and protect them from dust or dirt.
- Before removal, installation or disassembly, be sure to clarify the failure. Avoid unnecessary removal, installation, disassembly, and replacement.
- Be careful not to burn your hands, because each part in the vehicle is hot after running.
- Be sure to tighten fasteners including bolts and nuts to the specified torque.
- Place shop jacks or rigid racks at the specified points.
- Before disconnecting electrical connectors of sensors or units, be sure to disconnect the ground cable from battery.

#### D: PREPARATION TOOL

ILLUSTRATION	TOOL NUMBER	DESCRIPTION	REMARKS
 ST-499977400	499977400	CRANKSHAFT PULLEY WRENCH	Used for stopping crankshaft pulley when loosening and tightening crankshaft pulley bolts.
 ST18231AA010	18231AA010	CAMSHAFT SPROCKET WRENCH	Used for removing and installing intake camshaft sprocket. (Except for STi and Australia model)

# General Description

COOLING

ILLUSTRATION	TOOL NUMBER	DESCRIPTION	REMARKS
 <p data-bbox="363 537 493 562">ST-499207400</p>	499207400	CAMSHAFT SPROCKET WRENCH	Used for removing and installing exhaust camshaft sprocket.
 <p data-bbox="363 909 493 934">ST-499977500</p>	499977500	CAMSHAFT SPROCKET WRENCH	Used for removing and installing intake camshaft sprocket. (STi and Australia model)

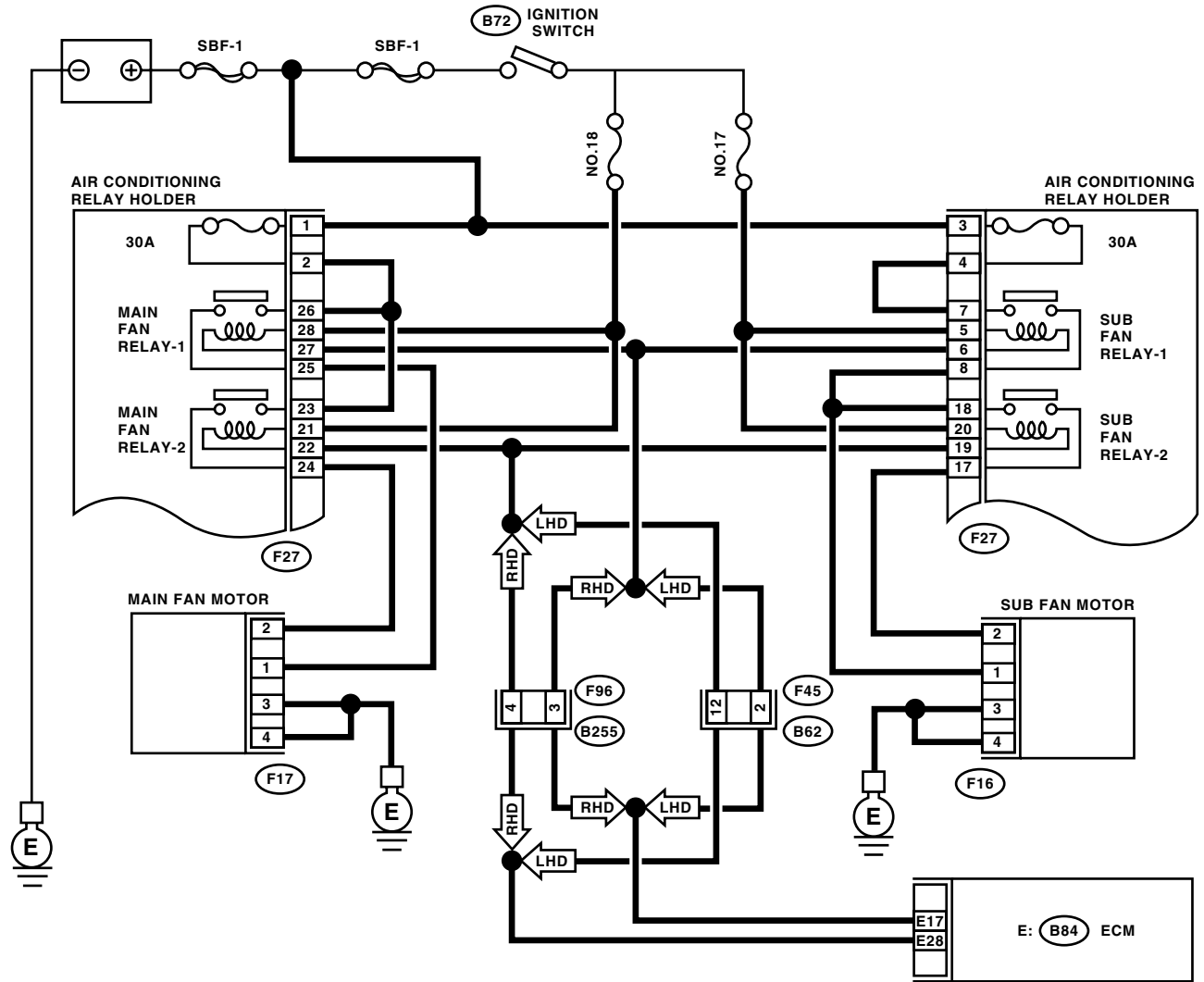


# Radiator Main Fan System

COOLING

## 2. Radiator Main Fan System

### A: WIRING DIAGRAM



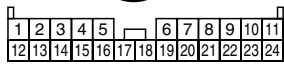
F16 (GRAY)

F17 (GRAY)

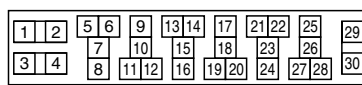
F96



F45

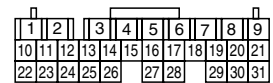


F27



RELAY HOLDER (BLACK)

E: B84



CO-02035

## B: INSPECTION

### DETECTING CONDITION:

- Engine coolant temperature is above 96°C (205°F).
- A/C compressor is rotated.
- Vehicle speed is below 19 km/h (12 MPH).

### TROUBLE SYMPTOM:

- Radiator main fan does not rotate under the above conditions.
- Radiator main fan does not rotate at high speed when the following conditions are both met:
  - (1) Engine coolant temperature is above 90°C (194°F).
  - (2) A/C is ON.

Step	Check	Yes	No
<b>1</b> <b>CHECK OPERATION OF RADIATOR.</b> 1)Run the engine at idle. (Vehicle stationary) 2)Turn the A/C switch to OFF. 3)Warm the engine coolant temperature over 96°C (205°F).	Does the main radiator fan rotate?	Go to step 2.	Go to step 3.
<b>2</b> <b>CHECK OPERATION OF RADIATOR.</b> Turn the A/C switch to ON at condition of step 1.	Does the main radiator fan rotate faster when A/C compressor is operated?	Radiator main fan system is okay.	Go to step 17.
<b>3</b> <b>CHECK POWER SUPPLY TO MAIN FAN MOTOR.</b> <b>CAUTION:</b> <b>Be careful not to overheat the engine during repair.</b> 1)Turn the ignition switch to OFF. 2)Disconnect the connector from main fan motor. 3)Start the engine, and warm it up until engine coolant temperature increases over 96°C (205°F). 4)Stop the engine and turn ignition switch to ON. 5)Measure the voltage between main fan motor connector and chassis ground. <b>Connector &amp; terminal</b> <b>(F17) No. 1 (+) — Chassis ground (-):</b>	Is the voltage more than 10 V?	Go to step 4.	Go to step 7.
<b>4</b> <b>CHECK GROUND CIRCUIT OF MAIN FAN MOTOR.</b> 1)Turn the ignition switch to OFF. 2)Measure the resistance between main fan motor connector and chassis ground. <b>Connector &amp; terminal</b> <b>(F17) No. 3 — Chassis ground:</b> <b>(F17) No. 4 — Chassis ground:</b>	Is the resistance less than 5 Ω?	Go to step 5.	Repair the open circuit in harness between main fan motor connector and chassis ground.
<b>5</b> <b>CHECK POOR CONTACT.</b> Check poor contact in main fan motor connector.	Is there poor contact in main fan motor connector?	Repair the poor contact in main fan motor connector.	Go to step 6.
<b>6</b> <b>CHECK MAIN FAN MOTOR.</b> Connect the battery positive (+) terminal to terminal No. 1, and ground (-) terminal to terminal No. 3 or No. 4 of main fan motor connector.	Does the main fan rotate?	Repair the poor contact in main fan motor connector.	Replace the main fan motor with a new one.

# Radiator Main Fan System

COOLING

Step	Check	Yes	No
<p><b>7 CHECK POWER SUPPLY TO MAIN FAN RELAY1.</b>                      1)Turn the ignition switch to OFF.                      2)Remove the main fan relay1 from A/C relay holder.                      3)Measure the voltage between main fan relay1 terminal and chassis ground.  <b>Connector &amp; terminal</b>  <b>(F27) No. 26 (+) — Chassis ground (-):</b></p>	Is the voltage more than 10 V?	Go to step 8.	Go to step 9.
<p><b>8 CHECK POWER SUPPLY TO MAIN FAN RELAY1.</b>                      1)Turn the ignition switch to ON.                      2)Measure the voltage between main fan relay1 terminal and chassis ground.  <b>Connector &amp; terminal</b>  <b>(F27) No. 28 (+) — Chassis ground (-):</b></p>	Is the voltage more than 10 V?	Go to step 12.	Go to step 11.
<p><b>9 CHECK 30 A FUSE.</b>                      1)Remove the 30 A fuse from A/C relay holder.                      2)Check the condition of fuse.</p>	Is the fuse blown out?	Replace the fuse.	Go to step 10.
<p><b>10 CHECK POWER SUPPLY TO A/C RELAY HOLDER 30 A FUSE TERMINAL.</b>                      Measure the voltage of harness between A/C relay holder 30 A fuse terminal and chassis ground.  <b>Connector &amp; terminal</b>  <b>(F27) No. 1 (+) — Chassis ground (-):</b></p>	Is the voltage more than 10 V?	Repair the open circuit in harness between 30 A fuse and main fan relay terminal.	Repair the open circuit in harness between main fuse box connector and 30 A fuse terminal.
<p><b>11 CHECK FUSE.</b>                      1)Turn the ignition switch to OFF.                      2)Remove the fuse No. 18 from joint box.                      3)Check the condition of fuse.</p>	Is the fuse blown out?	Replace the fuse.	Repair the open circuit in harness between main fan relay and ignition switch.
<p><b>12 CHECK MAIN FAN RELAY.</b>                      1)Turn the ignition switch to OFF.                      2)Remove the main fan relay1.                      3)Measure the resistance of main fan relay1.  <b>Terminals</b>  <b>No. 26 — No. 25:</b></p>	Is the resistance more than 1 MΩ?	Go to step 13.	Replace the main fan relay.
<p><b>13 CHECK MAIN FAN RELAY.</b>                      1)Connect the battery to terminals No. 27 and No. 28 of main fan relay1.                      2)Measure the resistance of main fan relay1.  <b>Terminals</b>  <b>No. 26 — No. 25:</b></p>	Is the resistance less than 1 Ω?	Go to step 14.	Replace the main fan relay.
<p><b>14 CHECK HARNESS BETWEEN MAIN FAN RELAY TERMINAL AND MAIN FAN MOTOR CONNECTOR.</b>                      Measure the resistance of harness between main fan motor connector and main fan relay terminal.  <b>Connector &amp; terminal</b>  <b>(F17) No. 1 — (F27) No. 25:</b></p>	Is the resistance less than 1 Ω?	Go to step 15.	Repair the open circuit in harness between main fan motor connector and main fan relay terminal.
<p><b>15 CHECK HARNESS BETWEEN MAIN FAN RELAY AND ECM.</b>                      1)Turn the ignition switch to OFF.                      2)Disconnect the connector from ECM.                      3)Measure the resistance of harness between main fan relay connector and ECM connector.  <b>Connector &amp; terminal</b>  <b>(F27) No. 27 — (B84) No. 17:</b></p>	Is the resistance less than 1 Ω?	Go to step 16.	Repair the open circuit in harness between main fan relay and ECM.

# Radiator Main Fan System

COOLING

Step	Check	Yes	No
<b>16 CHECK POOR CONTACT.</b> Check poor contact in connector between main fan and ECM.	Is there poor contact in connector between main fan motor and ECM?	Repair the poor contact connector.	Record the DTC. Repair the trouble cause. <Ref. to EN(H4DOTC)(diag)-38, Read Diagnostic Trouble Code (DTC).>
<b>17 CHECK POWER SUPPLY TO MAIN FAN MOTOR.</b> <b>CAUTION:</b> <b>Be careful not to overheat the engine during repair.</b> 1) Turn the ignition switch to OFF. 2) Disconnect the connector from main fan motor. 3) Start the engine, and warm it up until engine coolant temperature increases over 96°C (205°F). 4) Turn the A/C switch ON. 5) Measure the voltage while A/C compressor is rotating. 6) Measure the voltage between main fan motor connector and chassis ground. <b>Connector &amp; terminal</b> <b>(F17) No. 2 (+) — Chassis ground (-):</b>	Is the voltage more than 10 V?	Go to step 18.	Go to step 20.
<b>18 CHECK POOR CONTACT.</b> Check poor contact in main fan motor connector.	Is there poor contact in main fan motor connector?	Repair the poor contact in main fan motor connector.	Go to step 19.
<b>19 CHECK MAIN FAN MOTOR.</b> Connect the battery positive (+) terminal to terminal No. 2, and ground (-) terminal to terminal No. 1 of main fan motor connector.	Does the main fan rotate?	Repair the poor contact in main fan motor connector.	Replace the main fan motor with a new one.
<b>20 CHECK POWER SUPPLY TO MAIN FAN RELAY2.</b> 1) Turn the ignition switch to OFF. 2) Remove the main fan relay2 from A/C relay holder. 3) Measure the voltage between main fan relay2 terminal and chassis ground. <b>Connector &amp; terminal</b> <b>(F27) No. 23 (+) — Chassis ground (-):</b>	Is the voltage more than 10 V?	Go to step 21.	Go to step 22.
<b>21 CHECK POWER SUPPLY TO MAIN FAN RELAY2.</b> 1) Turn the ignition switch to ON. 2) Measure the voltage between main fan relay2 terminal and chassis ground. <b>Connector &amp; terminal</b> <b>(F27) No. 21 (+) — Chassis ground (-):</b>	Is the voltage more than 10 V?	Go to step 25.	Go to step 24.
<b>22 CHECK 30 A FUSE.</b> 1) Remove the 30 A fuse from A/C relay holder. 2) Check the condition of fuse.	Is the fuse blown out?	Replace the fuse.	Go to step 23.
<b>23 CHECK POWER SUPPLY TO A/C RELAY HOLDER 30 A FUSE TERMINAL.</b> Measure the voltage of harness between A/C relay holder 30 A fuse terminal and chassis ground. <b>Connector &amp; terminal</b> <b>(F27) No. 1 (+) — Chassis ground (-):</b>	Is the voltage more than 10 V?	Repair the open circuit in harness between 30 A fuse and main fan relay terminal.	Repair the open circuit in harness between main fuse box connector and 30 A fuse terminal.

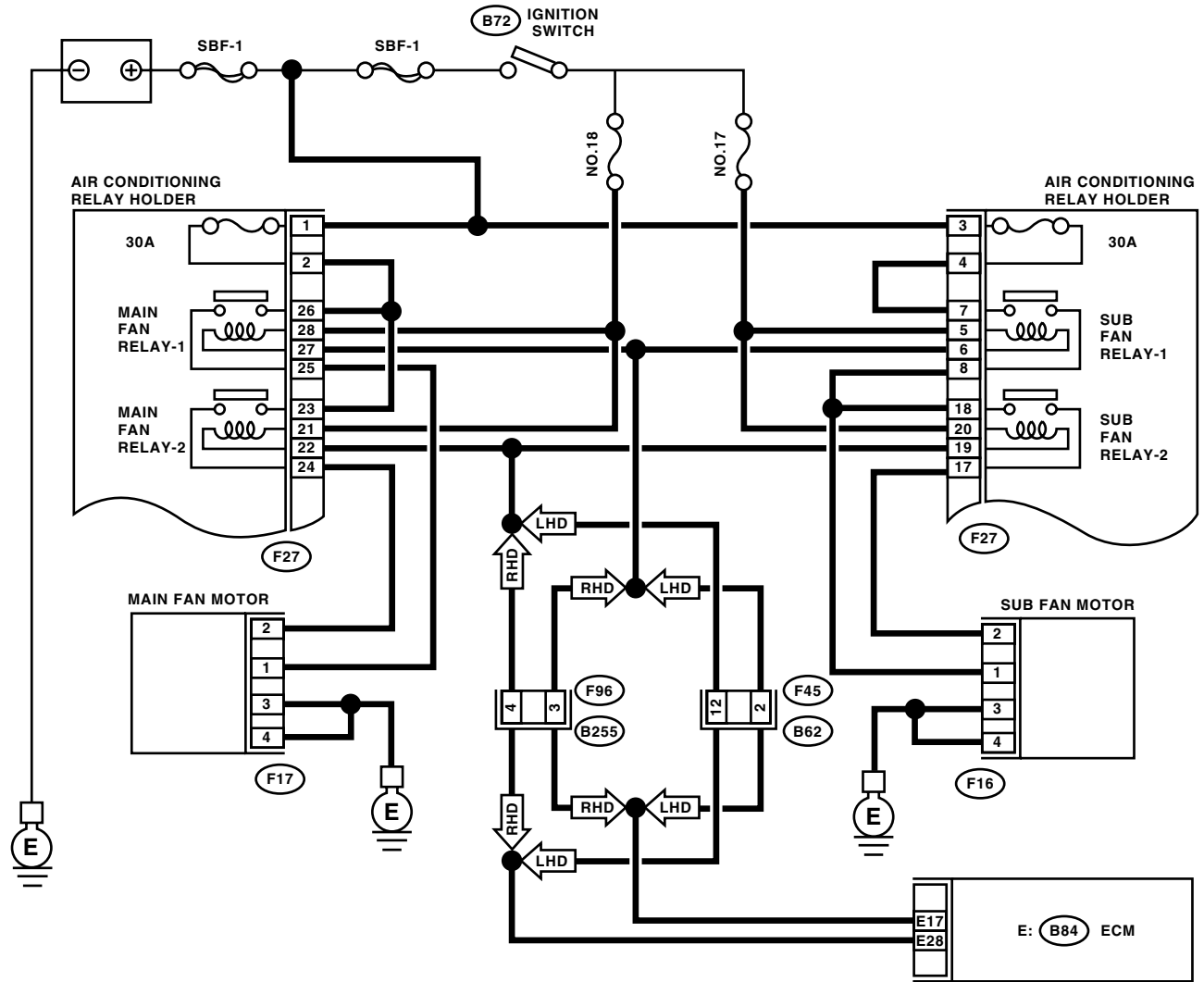
# Radiator Main Fan System

COOLING

Step	Check	Yes	No
<b>24 CHECK FUSE.</b> 1)Turn the ignition switch to OFF. 2)Remove the fuse No. 18 from joint box. 3)Check the condition of fuse.	Is the fuse blown out?	Replace the fuse.	Repair the open circuit in harness between main fan relay and ignition switch.
<b>25 CHECK MAIN FAN RELAY.</b> 1)Turn the ignition switch to OFF. 2)Remove the main fan relay2. 3)Measure the resistance of main fan relay2. <i>Terminals</i> <i>No. 23 — No. 24:</i>	Is the resistance more than 1 MΩ?	Go to step 26.	Replace the main fan relay.
<b>26 CHECK MAIN FAN RELAY.</b> 1)Connect the battery to terminals No. 21 and No. 22 of main fan relay1. 2)Measure the resistance of main fan relay2. <i>Terminals</i> <i>No. 23 — No. 24:</i>	Is the resistance less than 1 Ω?	Go to step 27.	Replace the main fan relay.
<b>27 CHECK HARNESS BETWEEN MAIN FAN RELAY TERMINAL AND MAIN FAN MOTOR CONNECTOR.</b> Measure the resistance of harness between main fan motor connector and main fan relay terminal. <i>Connector &amp; terminal</i> <i>(F17) No. 2 — (F27) No. 24:</i>	Is the resistance less than 1 Ω?	Go to step 28.	Repair the open circuit in harness between main fan motor connector and main fan relay terminal.
<b>28 CHECK HARNESS BETWEEN MAIN FAN RELAY AND ECM.</b> 1)Turn the ignition switch to OFF. 2)Disconnect the connector from ECM. 3)Measure the resistance of harness between main fan relay connector and ECM connector. <i>Connector &amp; terminal</i> <i>(F27) No. 22 — (B84) No. 28:</i>	Is the resistance less than 1 Ω?	Go to step 29.	Repair the open circuit in harness between main fan relay and ECM.
<b>29 CHECK POOR CONTACT.</b> Check poor contact in connector between main fan and ECM.	Is there poor contact in connector between main fan motor and ECM?	Repair the poor contact connector.	Record the DTC. Repair the trouble cause. <Ref. to EN(H4DOTC)(diag)-38, Read Diagnostic Trouble Code (DTC).>

## 3. Radiator Sub Fan System

### A: WIRING DIAGRAM



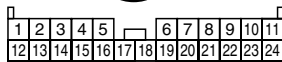
F16 (GRAY)

F17 (GRAY)

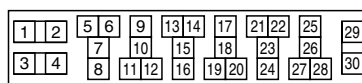
F96



F45

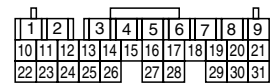


F27



RELAY HOLDER (BLACK)

E: B84



# Radiator Sub Fan System

COOLING

## B: INSPECTION

### DETECTING CONDITION:

- Engine coolant temperature is above 96°C (205°F).
- A/C compressor is rotated.
- Vehicle speed is below 19 km/h (12 MPH).

### TROUBLE SYMPTOM:

- Radiator sub fan does not rotate under the above conditions.
- Radiator sub fan does not rotate at high speed when the following conditions are both met:
  - (1) Engine coolant temperature is above 90°C (194°F).
  - (2) A/C is ON.

Step	Check	Yes	No
<b>1</b> <b>CHECK OPERATION OF RADIATOR.</b> 1)Run the engine at idle. (Vehicle stationary) 2)Turn the A/C switch to OFF. 3)Warm the engine coolant temperature over 96°C (205°F).	Does the radiator sub fan rotate?	Go to step 2.	Go to step 3.
<b>2</b> <b>CHECK OPERATION OF RADIATOR.</b> Turn the A/C switch to ON at condition of step 1.	Does the radiator sub fan rotate faster when A/C compressor is operated?	Radiator main fan system is okay.	Go to step 17.
<b>3</b> <b>CHECK POWER SUPPLY TO SUB FAN MOTOR.</b> <b>CAUTION:</b> <b>Be careful not to overheat the engine during repair.</b> 1)Turn the ignition switch to OFF. 2)Disconnect the connector from sub fan motor. 3)Start the engine, and warm it up until engine coolant temperature increases over 96°C (205°F). 4)Stop the engine and turn ignition switch to ON. 5)Measure the voltage between sub fan motor connector and chassis ground. <b>Connector &amp; terminal</b> <b>(F16) No. 1 (+) — Chassis ground (-):</b>	Is the voltage more than 10 V?	Go to step 4.	Go to step 7.
<b>4</b> <b>CHECK GROUND CIRCUIT OF SUB FAN MOTOR.</b> 1)Turn the ignition switch to OFF. 2)Measure the resistance between sub fan motor connector and chassis ground. <b>Connector &amp; terminal</b> <b>(F16) No. 3 — Chassis ground:</b> <b>(F16) No. 4 — Chassis ground:</b>	Is the resistance less than 5 Ω?	Go to step 5.	Repair the open circuit in harness between sub fan motor connector and chassis ground.
<b>5</b> <b>CHECK POOR CONTACT.</b> Check poor contact in sub fan motor connector.	Is there poor contact in sub fan motor connector?	Repair the poor contact in sub fan motor connector.	Go to step 6.
<b>6</b> <b>CHECK MAIN FAN MOTOR.</b> Connect the battery positive (+) terminal to terminal No. 1, and ground (-) terminal to terminal No. 3 or No. 4 of sub fan motor connector.	Does the main fan rotate?	Repair the poor contact in sub fan motor connector.	Replace the sub fan motor with a new one.

# Radiator Sub Fan System

COOLING

Step	Check	Yes	No
<b>7 CHECK POWER SUPPLY TO SUB FAN RELAY1.</b> 1)Turn the ignition switch to OFF. 2)Remove the sub fan relay1 from A/C relay holder. 3)Measure the voltage between sub fan relay1 terminal and chassis ground. <i><b>Connector &amp; terminal</b></i> <i><b>(F27) No. 7 (+) — Chassis ground (-):</b></i>	Is the voltage more than 10 V?	Go to step 8.	Go to step 9.
<b>8 CHECK POWER SUPPLY TO SUB FAN RELAY1.</b> 1)Turn the ignition switch to ON. 2)Measure the voltage between sub fan relay1 terminal and chassis ground. <i><b>Connector &amp; terminal</b></i> <i><b>(F27) No. 5 (+) — Chassis ground (-):</b></i>	Is the voltage more than 10 V?	Go to step 12.	Go to step 11.
<b>9 CHECK 30 A FUSE.</b> 1)Remove the 30 A fuse from A/C relay holder. 2)Check the condition of fuse.	Is the fuse blown out?	Replace the fuse.	Go to step 10.
<b>10 CHECK POWER SUPPLY TO A/C RELAY HOLDER 30 A FUSE TERMINAL.</b> Measure the voltage of harness between A/C relay holder 30 A fuse terminal and chassis ground. <i><b>Connector &amp; terminal</b></i> <i><b>(F27) No. 3 (+) — Chassis ground (-):</b></i>	Is the voltage more than 10 V?	Repair the open circuit in harness between 30 A fuse and sub fan relay terminal.	Repair the open circuit in harness between sub fuse box connector and 30 A fuse terminal.
<b>11 CHECK FUSE.</b> 1)Turn the ignition switch to OFF. 2)Remove the fuse No. 17 from joint box. 3)Check the condition of fuse.	Is the fuse blown out?	Replace the fuse.	Repair the open circuit in harness between sub fan relay and ignition switch.
<b>12 CHECK SUB FAN RELAY.</b> 1)Turn the ignition switch to OFF. 2)Remove the main fan relay1. 3)Measure the resistance of sub fan relay1. <i><b>Terminals</b></i> <i><b>No. 7 — No. 8:</b></i>	Is the resistance more than 1 M $\Omega$ ?	Go to step 13.	Replace the sub fan relay.
<b>13 CHECK SUB FAN RELAY.</b> 1)Connect the battery to terminals No. 6 and No. 5 of sub fan relay1. 2)Measure the resistance of sub fan relay. <i><b>Terminals</b></i> <i><b>No. 7 — No. 8:</b></i>	Is the resistance less than 1 $\Omega$ ?	Go to step 14.	Replace the sub fan relay.
<b>14 CHECK HARNESS BETWEEN SUB FAN RELAY TERMINAL AND SUB FAN MOTOR CONNECTOR.</b> Measure the resistance of harness between sub fan motor connector and sub fan relay terminal. <i><b>Connector &amp; terminal</b></i> <i><b>(F16) No. 1 — (F27) No. 8:</b></i>	Is the resistance less than 1 $\Omega$ ?	Go to step 15.	Repair the open circuit in harness between sub fan motor connector and sub fan relay terminal.
<b>15 CHECK HARNESS BETWEEN SUB FAN RELAY AND ECM.</b> 1)Turn the ignition switch to OFF. 2)Disconnect the connector from ECM. 3)Measure the resistance of harness between sub fan relay connector and ECM connector. <i><b>Connector &amp; terminal</b></i> <i><b>(F27) No. 6 — (B84) No. 17:</b></i>	Is the resistance less than 1 $\Omega$ ?	Go to step 16.	Repair the open circuit in harness between sub fan relay and ECM.



# Radiator Sub Fan System

COOLING

Step	Check	Yes	No
<b>16 CHECK POOR CONTACT.</b> Check poor contact in connector between sub fan and ECM.	Is there poor contact in connector between sub fan motor and ECM?	Repair the poor contact connector.	Record the DTC. Repair the trouble cause. <Ref. to EN(H4DOTC)(diag)-38, Read Diagnostic Trouble Code (DTC).>
<b>17 CHECK POWER SUPPLY TO SUB FAN MOTOR.</b> <b>CAUTION:</b> <b>Be careful not to overheat the engine during repair.</b> 1)Turn the ignition switch to OFF. 2)Disconnect the connector from sub fan motor. 3)Start the engine, and warm it up until engine coolant temperature increases over 96°C (205°F). 4)Turn the A/C switch ON. 5)Measure the voltage while A/C compressor is rotating. 6)Measure the voltage between sub fan motor connector and chassis ground. <b>Connector &amp; terminal</b> <b>(F16) No. 2 (+) — Chassis ground (-):</b>	Is the voltage more than 10 V?	Go to step 18.	Go to step 20.
<b>18 CHECK POOR CONTACT.</b> Check poor contact in sub fan motor connector.	Is there poor contact in sub fan motor connector?	Repair the poor contact in sub fan motor connector.	Go to step 19.
<b>19 CHECK SUB FAN MOTOR.</b> Connect the battery positive (+) terminal to terminal No. 2, and ground (-) terminal to terminal No. 3 or No. 4 of sub fan motor connector.	Does the main fan rotate?	Repair the poor contact in sub fan motor connector.	Replace the sub fan motor with a new one.
<b>20 CHECK POWER SUPPLY TO SUB FAN RELAY2.</b> 1)Turn the ignition switch to OFF. 2)Remove the sub fan relay2 from A/C relay holder. 3)Measure the voltage between sub fan relay2 terminal and chassis ground. <b>Connector &amp; terminal</b> <b>(F27) No. 18 (+) — Chassis ground (-):</b>	Is the voltage more than 10 V?	Go to step 21.	Go to step 22.
<b>21 CHECK POWER SUPPLY TO SUB FAN RELAY2.</b> 1)Turn the ignition switch to ON. 2)Measure the voltage between sub fan relay2 terminal and chassis ground. <b>Connector &amp; terminal</b> <b>(F27) No. 20 (+) — Chassis ground (-):</b>	Is the voltage more than 10 V?	Go to step 25.	Go to step 24.
<b>22 CHECK 30 A FUSE.</b> 1)Remove the 30 A fuse from A/C relay holder. 2)Check the condition of fuse.	Is the fuse blown out?	Replace the fuse.	Go to step 23.
<b>23 CHECK POWER SUPPLY TO A/C RELAY HOLDER 30 A FUSE TERMINAL.</b> Measure the voltage of harness between A/C relay holder 30 A fuse terminal and chassis ground. <b>Connector &amp; terminal</b> <b>(F27) No. 3 (+) — Chassis ground (-):</b>	Is the voltage more than 10 V?	Repair the open circuit in harness between 30 A fuse and sub fan relay terminal.	Repair the open circuit in harness between sub fuse box connector and 30 A fuse terminal.

# Radiator Sub Fan System

COOLING

Step	Check	Yes	No
<b>24 CHECK FUSE.</b> 1) Turn the ignition switch to OFF. 2) Remove the fuse No. 17 from joint box. 3) Check the condition of fuse.	Is the fuse blown out?	Replace the fuse.	Repair the open circuit in harness between sub fan relay and ignition switch.
<b>25 CHECK SUB FAN RELAY.</b> 1) Turn the ignition switch to OFF. 2) Remove the sub fan relay. 3) Measure the resistance of main fan relay. <i>Terminals</i> <i>No. 18 — No. 17:</i>	Is the resistance more than 1 MΩ?	Go to step 26.	Replace the sub fan relay.
<b>26 CHECK MAIN FAN RELAY.</b> 1) Connect the battery to terminals No. 19 and No. 20 of sub fan relay. 2) Measure the resistance of main fan relay. <i>Terminals</i> <i>No. 18 — No. 17:</i>	Is the resistance less than 1 Ω?	Go to step 27.	Replace the sub fan relay.
<b>27 CHECK HARNESS BETWEEN SUB FAN RELAY TERMINAL AND SUB FAN MOTOR CONNECTOR.</b> Measure the resistance of harness between sub fan motor connector and sub fan relay terminal. <i>Connector &amp; terminal</i> <i>(F16) No. 2 — (F27) No. 17:</i>	Is the resistance less than 1 Ω?	Go to step 28.	Repair the open circuit in harness between sub fan motor connector and sub fan relay terminal.
<b>28 CHECK HARNESS BETWEEN SUB FAN RELAY AND ECM.</b> 1) Turn the ignition switch to OFF. 2) Disconnect the connector from ECM. 3) Measure the resistance of harness between sub fan relay connector and ECM connector. <i>Connector &amp; terminal</i> <i>(F27) No. 19 — (B84) No. 28:</i>	Is the resistance less than 1 Ω?	Go to step 29.	Repair the open circuit in harness between sub fan relay and ECM.
<b>29 CHECK POOR CONTACT.</b> Check poor contact in connector between sub fan and ECM.	Is there poor contact in connector between sub fan motor and ECM?	Repair the poor contact connector.	Record the DTC. Repair the trouble cause. <Ref. to EN(H4DOTC)(diag)-38, Read Diagnostic Trouble Code (DTC).>

## 4. Engine Coolant

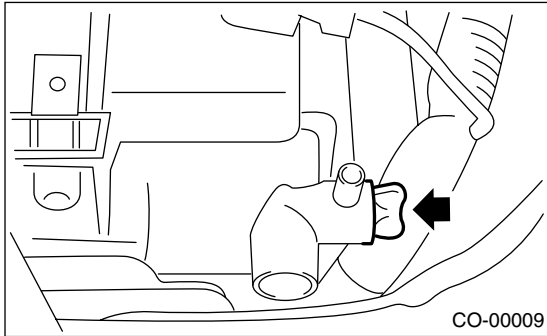
### A: REPLACEMENT

#### 1. DRAINING OF ENGINE COOLANT

- 1) Lift-up the vehicle.
- 2) Remove the under cover.
- 3) Remove the drain cock to drain engine coolant into container.

**NOTE:**

Remove the coolant filler tank cap so that engine coolant will drain faster.



- 4) Install the drain cock.

#### 2. FILLING OF ENGINE COOLANT

- 1) Fill engine coolant into the coolant filler tank up to filler neck position.

**Coolant capacity (fill up to "FULL" level):**

**AT model**

**Approx. 7.6 ℓ (8.03 US qt, 6.69 Imp qt)**

**MT model**

**Approx. 7.7 ℓ (8.14 US qt, 6.78 Imp qt)**

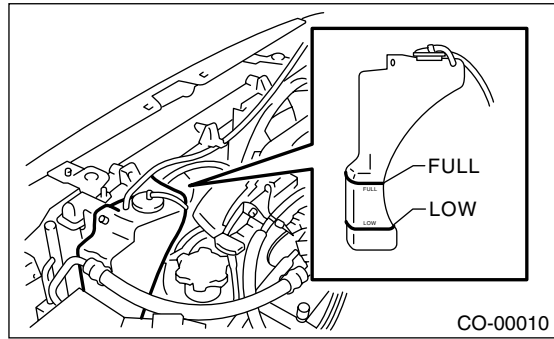
**CAUTION:**

**Do not mix up the coolant filler tank side cap with radiator side cap.**

**NOTE:**

- Do not remove the radiator side cap when filling engine coolant.
- The SUBARU Genuine Coolant containing anti-freeze and anti-rust agents is especially made for SUBARU engine, which has an aluminum crank-case. Always use SUBARU Genuine Coolant, since other coolant may cause corrosion.

- 2) Fill engine coolant into the reservoir tank up to Full level.



- 3) Warm-up the engine completely for more than 5 minutes at 2,000 to 3,000 rpm.
- 4) If the engine coolant level drops in coolant filler tank, add engine coolant to filler neck position.
- 5) If the engine coolant level drops from Full level of reservoir tank, add engine coolant to Full level.
- 6) Attach the coolant filler tank cap and reservoir tank cap properly.

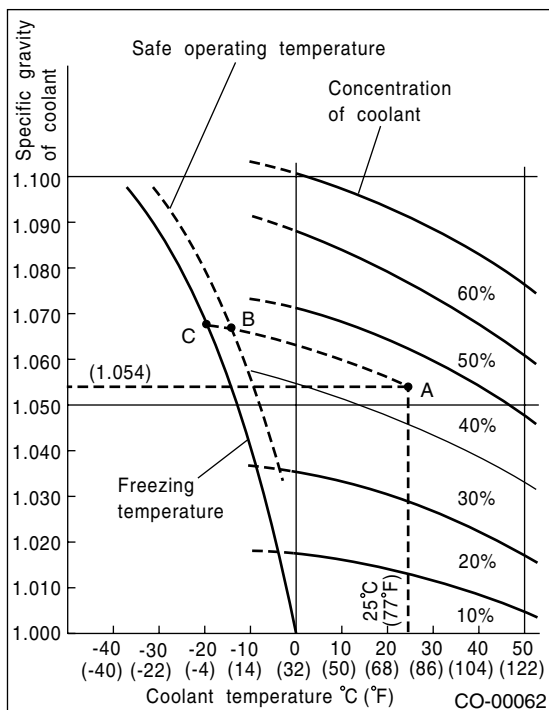
## B: INSPECTION

### 1. RELATIONSHIP OF SUBARU COOLANT CONCENTRATION AND FREEZING TEMPERATURE

The concentration and safe operating temperature of the SUBARU coolant is shown in the diagram. Measuring the temperature and specific gravity of the coolant will provide this information.

[Example]

If the coolant temperature is 25°C (77°F) and its specific gravity is 1.054, the concentration is 45% (point A), the safe operating temperature is -14°C (7°F) (point B), and the freezing temperature is -20°C (-4°F) (point C).



### 2. PROCEDURE TO ADJUST THE CONCENTRATION OF THE COOLANT

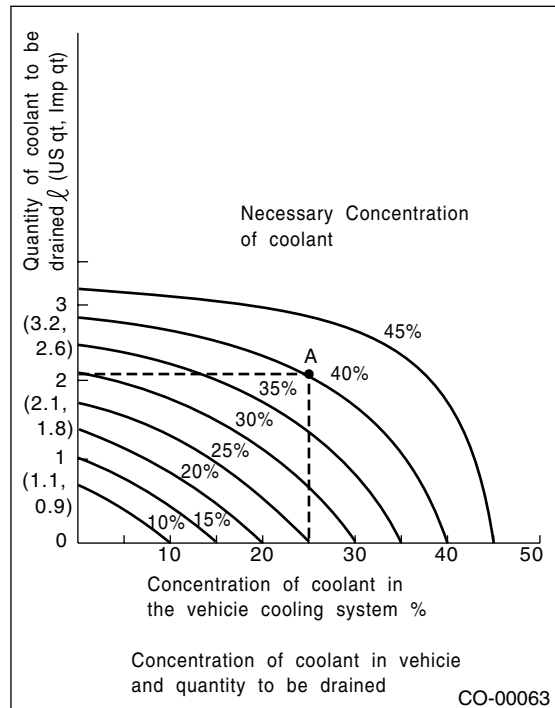
To adjust the concentration of the coolant according to temperature, find the proper fluid concentration in the above diagram and replace the necessary amount of coolant with an undiluted solution of SUBARU genuine coolant (concentration 50%).

The amount of coolant that should be replaced can be determined using the diagram.

[Example]

Assume that the coolant concentration must be increased from 25% to 40%. Find point A, where the 25% line of coolant concentration intersects with the 40% curve of the necessary coolant concentration, and read the scale on the vertical axis of the graph at height A. The quantity of coolant to be drained is 2.1 ℓ (2.2 US qt, 1.8 Imp qt). Drain 2.1 ℓ (2.2 US qt, 1.8 Imp qt) of coolant from the cooling system and add 2.1 ℓ (2.2 US qt, 1.8 Imp qt) of the undiluted solution of SUBARU coolant.

If a coolant concentration of 50% is needed, drain all the coolant and refill with the undiluted solution only.



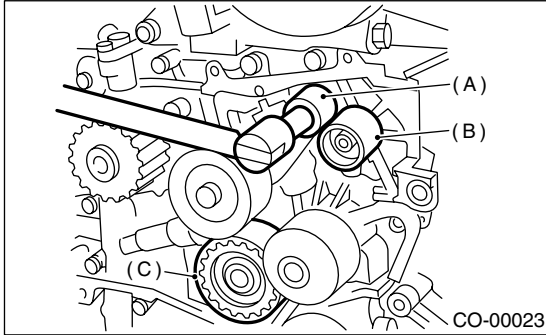
# Water Pump

COOLING

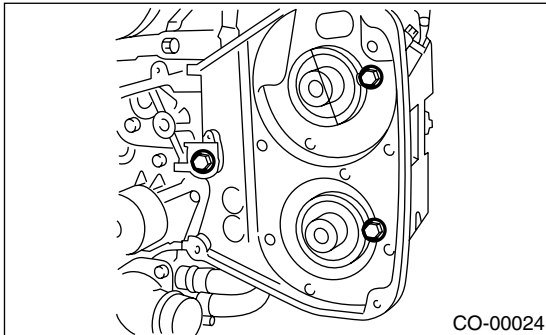
## 5. Water Pump

### A: REMOVAL

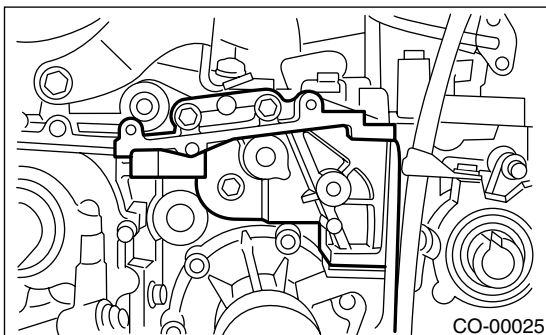
- 1) Remove the radiator. <Ref. to CO(H4DOTC)-23, REMOVAL, Radiator.>
- 2) Remove the V-belts. <Ref. to ME(H4DOTC)-54, REMOVAL, V-belt.>
- 3) Remove the timing belt. <Ref. to ME(H4DOTC)-58, REMOVAL, Timing Belt Assembly.>
- 4) Remove the automatic belt tension adjuster (A).
- 5) Remove the belt idler (B).
- 6) Remove the belt idler No. 2 (C).



- 7) Remove the camshaft position sensor. <Ref. to FU(H4DOTC)-30, REMOVAL, Camshaft Position Sensor.>
- 8) Remove the camshaft sprockets (LH) by using ST. <Ref. to ME(H4DOTC)-66, REMOVAL, Camshaft Sprocket.>
- 9) Remove the belt cover No. 2 (LH).

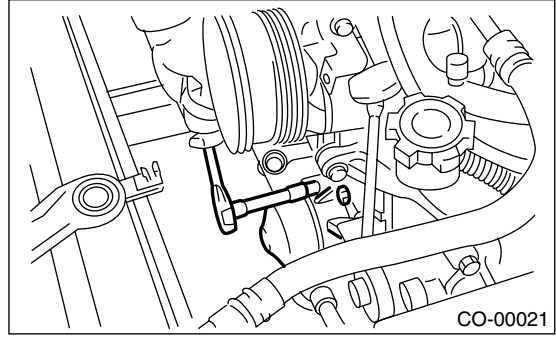


- 10) Remove the tensioner bracket.



- 11) Disconnect the hose from water pump.

- 12) Remove the water pump.



### B: INSTALLATION

- 1) Install the water pump onto cylinder block (LH).

NOTE:

- Replace the gasket with a new one.
- When installing the water pump, tighten bolts in two stages in alphabetical sequence as shown in the figure.

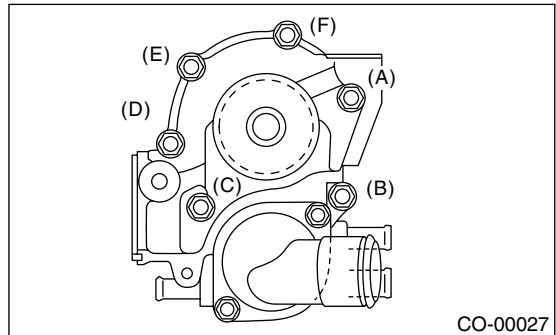
**Tightening torque:**

**First:**

**12 N·m (1.2 kgf-m, 8.7 ft-lb)**

**Second:**

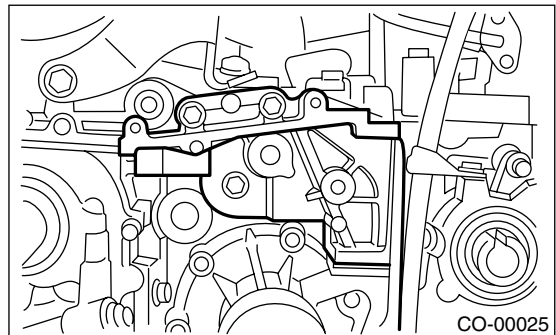
**12 N·m (1.2 kgf-m, 8.7 ft-lb)**



- 2) Connect the hose to water pump.
- 3) Install the tensioner bracket.

**Tightening torque:**

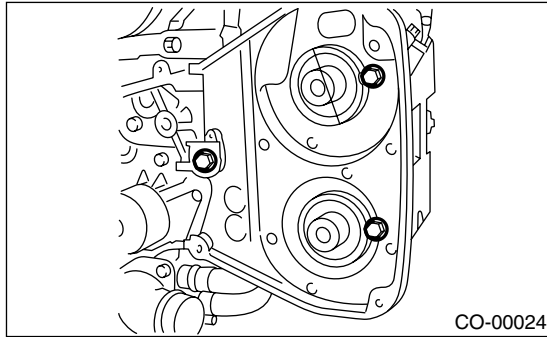
**24.5 N·m (2.5 kgf-m, 18.1 ft-lb)**



4) Install the belt cover No. 2 (LH).

**Tightening torque:**

**5 N·m (0.5 kgf·m, 3.6 ft-lb)**



5) Install the camshaft sprockets (LH) by using ST. <Ref. to ME(H4DOTC)-67, INSTALLATION, Camshaft Sprocket.>

6) Install the camshaft position sensor. <Ref. to FU(H4DOTC)-30, INSTALLATION, Camshaft Position Sensor.>

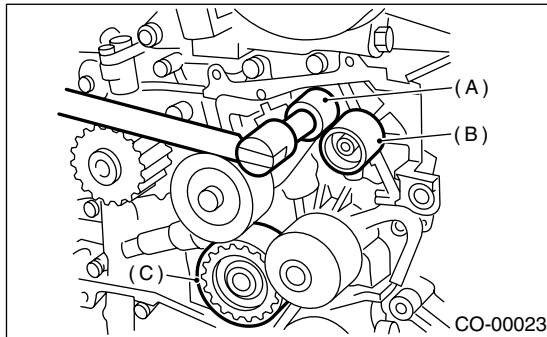
7) Install the belt idler No. 2 (C).

8) Install the belt idler (B).

9) Install the automatic belt tension adjuster (A) which has tension rod held by pin. <Ref. to ME(H4DOTC)-60, AUTOMATIC BELT TENSION ADJUSTER ASSEMBLY AND BELT IDLER, INSTALLATION, Timing Belt Assembly.>

**Tightening torque:**

**39 N·m (4.0 kgf·m, 28.9 ft-lb)**



10) Install the timing belt. <Ref. to ME(H4DOTC)-60, TIMING BELT, INSTALLATION, Timing Belt Assembly.>

11) Install the V-belts. <Ref. to ME(H4DOTC)-54, INSTALLATION, V-belt.>

12) Install the radiator. <Ref. to CO(H4DOTC)-24, INSTALLATION, Radiator.>

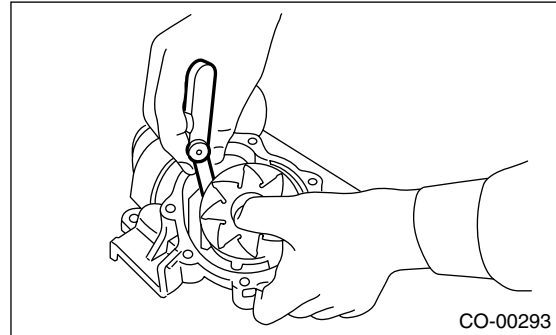
## C: INSPECTION

- 1) Check the water pump bearing for smooth rotation.
- 2) Check the water pump pulley for abnormalities.
- 3) Make sure the impeller is not deformed or damaged.
- 4) Inspect the clearance between impeller and pump case.

**Clearance between impeller and pump case:**

**Standard value**

**0.5 — 1.5 mm (0.020 — 0.060 in)**

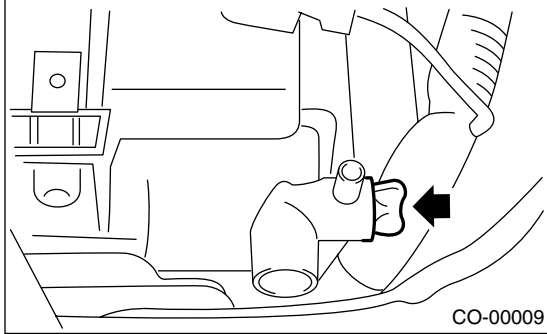


5) After water pump installation, check the pulley shaft for engine coolant leaks. If leaks are noted, replace the water pump assembly.

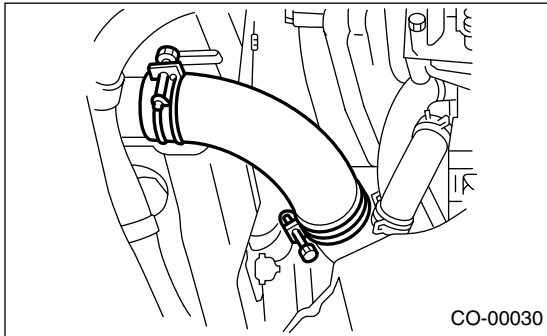
## 6. Thermostat

### A: REMOVAL

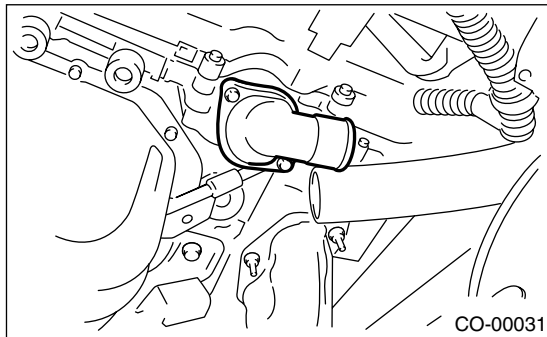
- 1) Set the vehicle on a lift.
- 2) Lift-up the vehicle.
- 3) Remove the under cover.
- 4) Drain the engine coolant completely. <Ref. to CO(H4DOTC)-18, DRAINING OF ENGINE COOLANT, REPLACEMENT, Engine Coolant.>



- 5) Disconnect the radiator outlet hose.



- 6) Remove the thermostat cover and gasket, and then pull out the thermostat.



### B: INSTALLATION

- 1) Install the thermostat in water pump, and then install the thermostat cover together with a gasket.

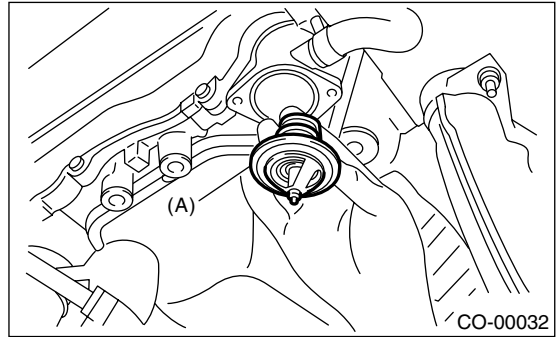
#### NOTE:

- When reinstalling the thermostat, use a new gasket.

- The thermostat must be installed with the jiggle pin (A) facing to front side.

#### Tightening torque:

**6.5 N·m (0.65 kgf-m, 4.7 ft-lb)**



- 2) Fill engine coolant. <Ref. to CO(H4DOTC)-18, FILLING OF ENGINE COOLANT, REPLACEMENT, Engine Coolant.>

### C: INSPECTION

Replace the thermostat if the valve does not close completely at an ambient temperature or if the following test shows unsatisfactory results.

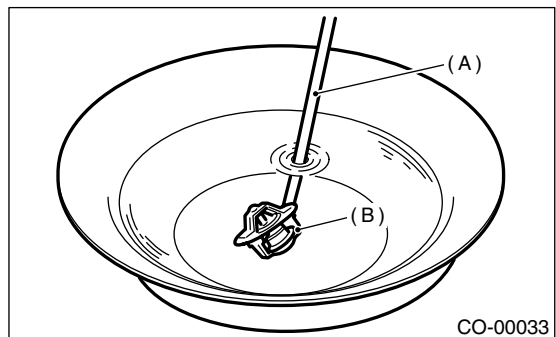
Immerse the thermostat and thermometer in water. Raise water temperature gradually, and measure the temperature and valve lift when the valve begins to open and when the valve is fully opened. During the test, agitate the water for even temperature distribution. The measurement should be to the specification.

#### Starts to open:

**76 — 80°C (169 — 176°F)**

#### Fully opens:

**91°C (196°F)**



(A) Thermometer

(B) Thermostat

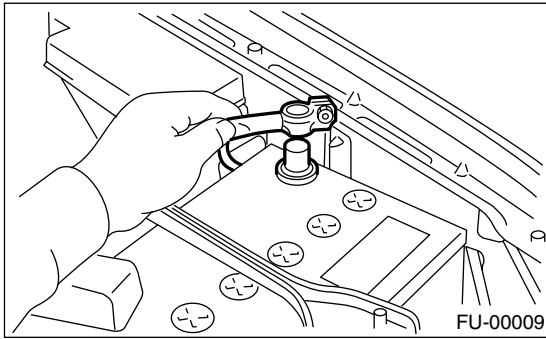
## 7. Radiator

### A: REMOVAL

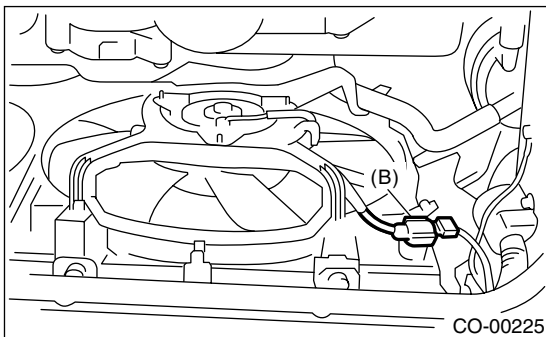
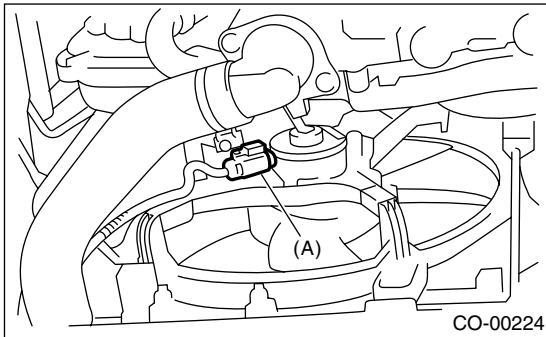
**WARNING:**

The radiator is pressurized. Wait until the engine cools down before working on the radiator.

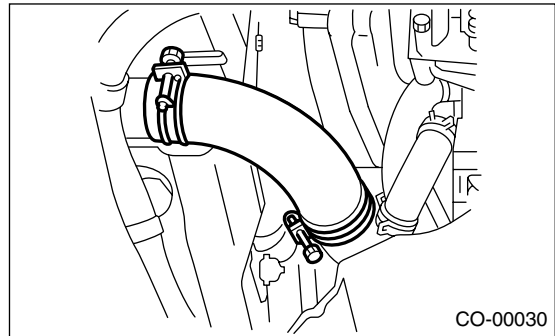
- 1) Set the vehicle on a lift.
- 2) Disconnect the ground cable from battery.



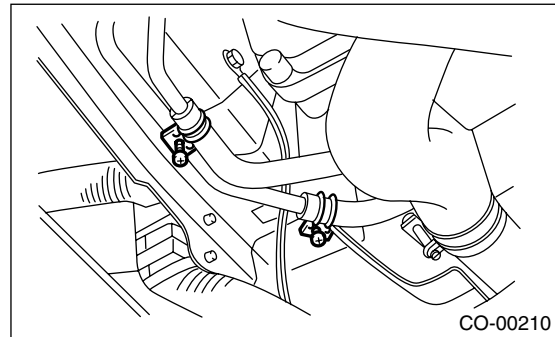
- 3) Lift-up the vehicle.
- 4) Remove the under cover.
- 5) Drain the engine coolant completely. <Ref. to CO(H4DOTC)-18, DRAINING OF ENGINE COOLANT, REPLACEMENT, Engine Coolant.>
- 6) Disconnect the connectors of radiator main fan motor (A) and sub fan motor (B).



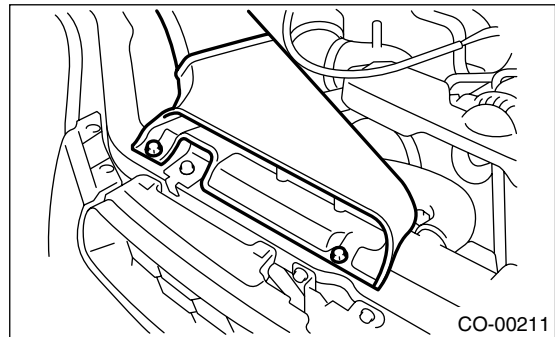
- 7) Disconnect the radiator outlet hose from thermostat cover.



- 8) Disconnect the ATF cooler hose from ATF pipe. (AT model)  
Plug the openings in the hose and radiator with caps in order to prevent ATF from leaking.
- 9) Disconnect the oil cooler hose from oil cooler pipe. (MT model with oil cooler)  
Install the cap to prevent oil from leaking.



- 10) Lower the vehicle.
- 11) Remove the air intake duct.

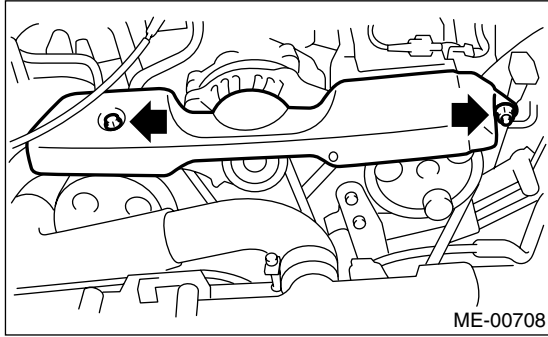




# Radiator

## COOLING

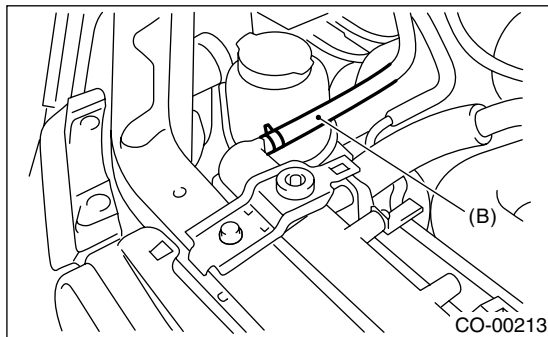
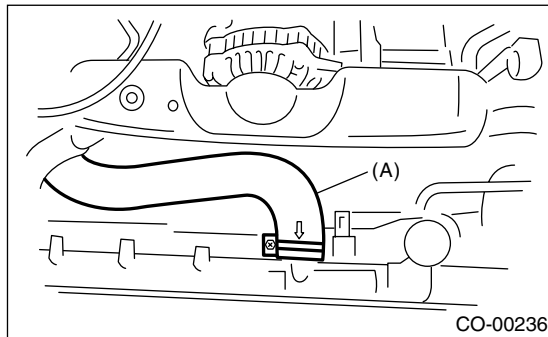
12) Remove the V-belt covers.



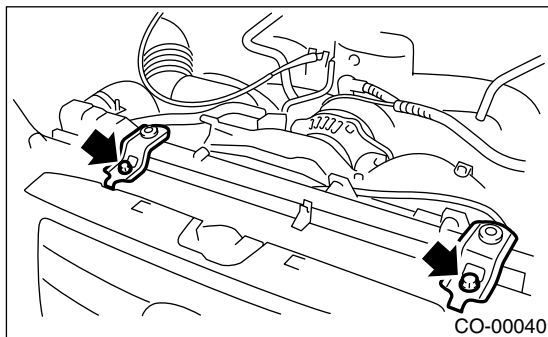
13) Disconnect the overflow hose.

14) Remove the reservoir tank. <Ref. to CO(H4DOTC)-32, REMOVAL, Reservoir Tank.>

15) Disconnect the radiator inlet hose (A) and water tank hose (B) from radiator.



16) Remove the radiator upper brackets.

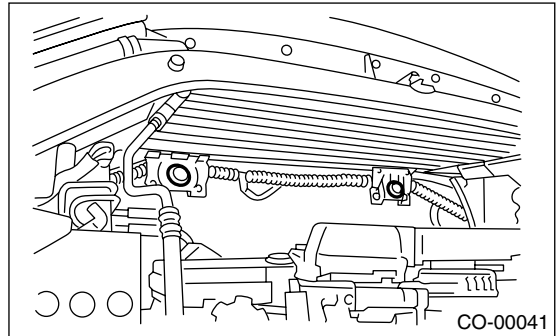


17) While lifting the radiator up, slide it to the left.

18) Lift-up the radiator, and then remove it from vehicle.

## B: INSTALLATION

1) Attach the radiator mounting cushions to the holes on vehicle.



2) Install the radiator to vehicle.

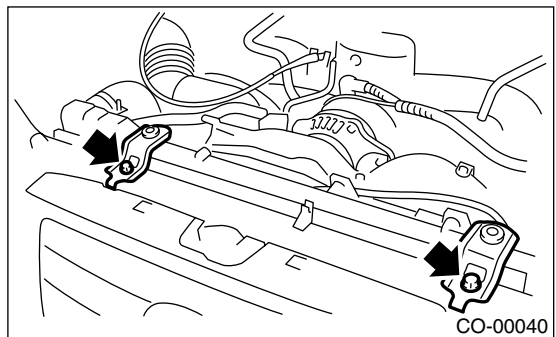
### NOTE:

Fit the pins on lower side of radiator into the cushions on body side.

3) Install the radiator brackets, and then tighten the bolts.

### Tightening torque:

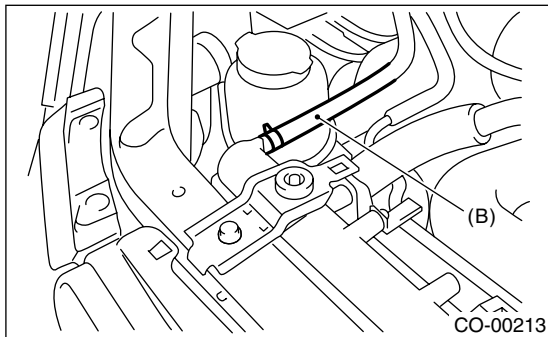
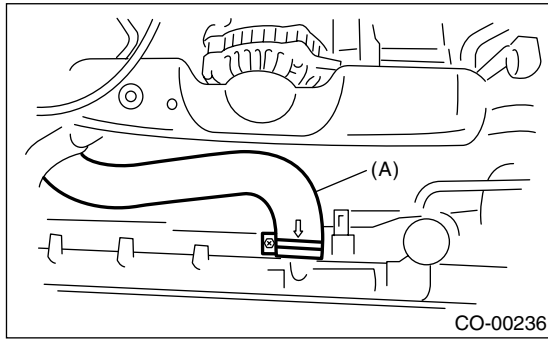
**18 N·m (1.8 kgf·m, 13.0 ft·lb)**



# Radiator

COOLING

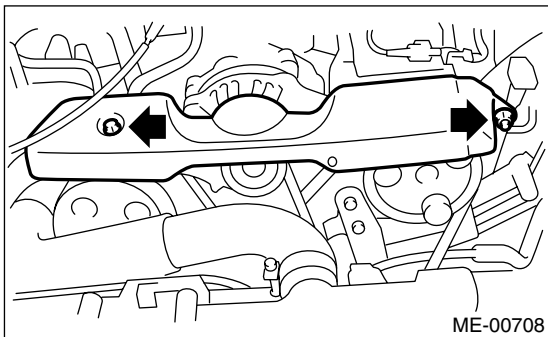
4) Connect the radiator inlet hose (A) and water tank hose (B).



5) Install the reservoir tank. <Ref. to CO(H4DOTC)-32, INSTALLATION, Reservoir Tank.>

6) Connect the overflow hose.

7) Install the V-belt cover.



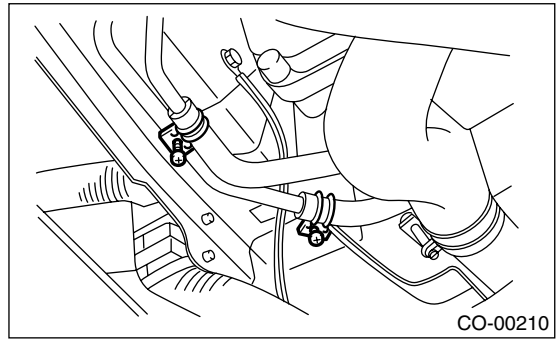
8) Install the air intake duct.

<Ref. to IN(H4DOTC)-8, INSTALLATION, Air Intake Duct.>

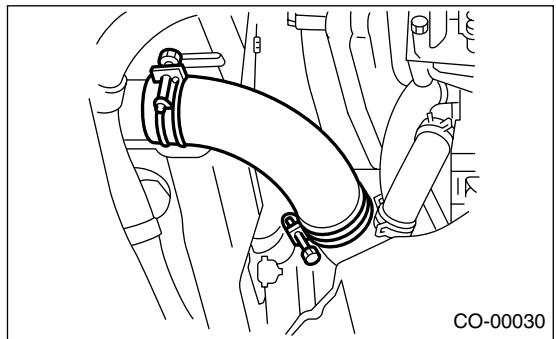
9) Lift-up the vehicle.

10) Connect the ATF cooler hoses. (AT model).

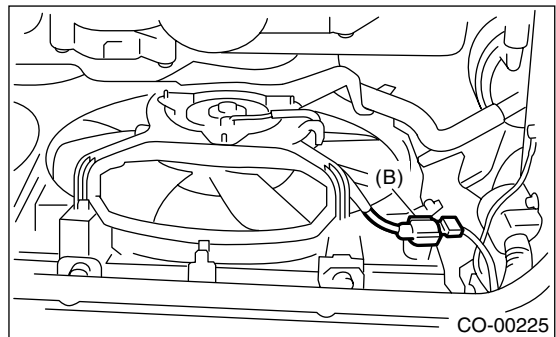
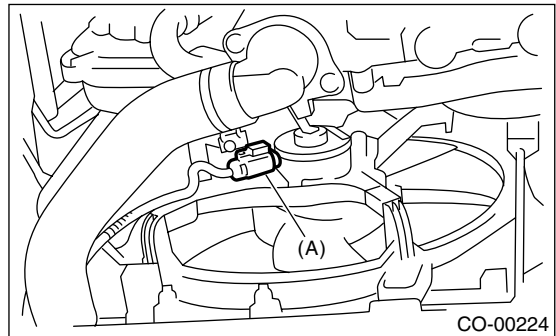
11) Connect the oil cooler hose. (MT model with oil cooler)



12) Connect the radiator outlet hose.



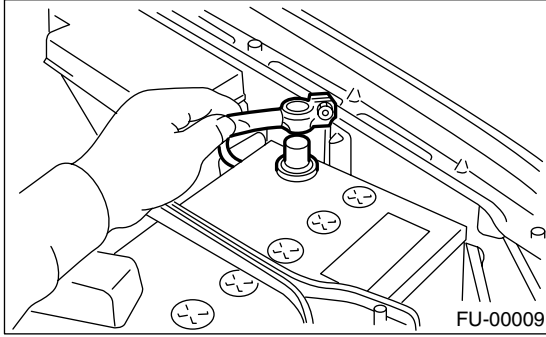
13) Connect the connectors to radiator main fan motor (A) and sub fan motor (B).



14) Install the under cover.

15) Lower the vehicle.

16) Connect the battery ground cable to battery.

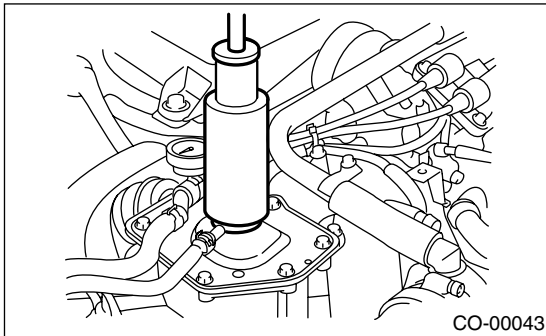


17) Fill engine coolant. <Ref. to CO(H4DOTC)-18, FILLING OF ENGINE COOLANT, REPLACEMENT, Engine Coolant.>

18) Check the ATF level. <Ref. to 4AT-31, INSPECTION, Automatic Transmission Fluid.>

### **C: INSPECTION**

1) Remove the coolant filler tank cap, top off coolant filler tank, and then attach the tester to coolant filler tank in place of cap.



2) Apply a pressure of 122 kPa (1.2 kg/cm<sup>2</sup>, 18 psi) to the radiator to check if:

- (1) Engine coolant leaks at/around radiator.
- (2) Engine coolant leaks at/around hoses or connections.

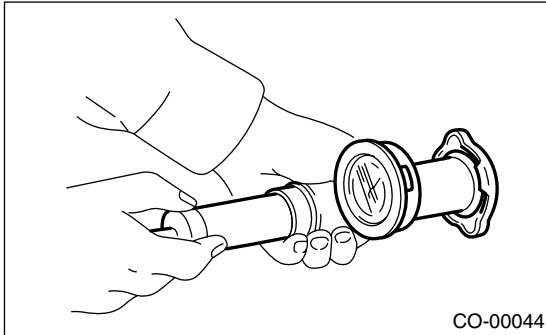
#### **CAUTION:**

- Inspection must be carried out at the side of coolant filler tank, not at the side of radiator.
- Engine should be turned off.
- Wipe engine coolant from check points in advance.
- Be careful to prevent engine coolant from spurting out when removing the tester.
- Be careful also not to deform the filler neck of coolant filler tank when installing or removing tester.

## 8. Radiator Cap

### A: INSPECTION

1) Attach the radiator cap to tester.



2) Increase the pressure until tester gauge pointer stops. Radiator cap is functioning properly if it holds the service limit pressure for 5 to 6 seconds.

#### **Coolant filler tank side**

##### **Standard pressure:**

**93 — 123 kPa (0.95 — 1.25 kg/cm<sup>2</sup>, 14 — 18 psi)**

##### **Service limit pressure:**

**83 kPa (0.85 kg/cm<sup>2</sup>, 12 psi)**

#### **Radiator side**

##### **Standard pressure:**

**122 — 152 kPa (1.24 — 1.55 kg/cm<sup>2</sup>, 18 — 22 psi)**

##### **Service limit pressure:**

**112 kPa (1.14 kg/cm<sup>2</sup>, 16 psi)**

#### **CAUTION:**

- Be sure to remove foreign matter and rust from the cap in advance otherwise, results of pressure test will be incorrect.
- Do not mix up the coolant filler tank side cap with radiator side cap.

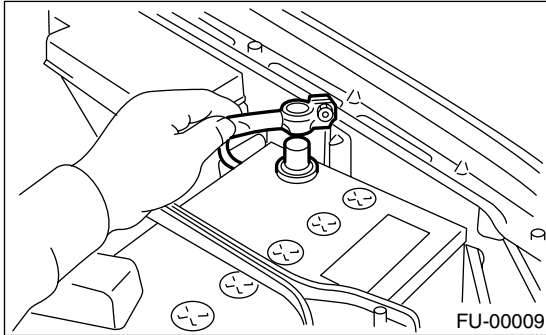
# Radiator Main Fan and Fan Motor

COOLING

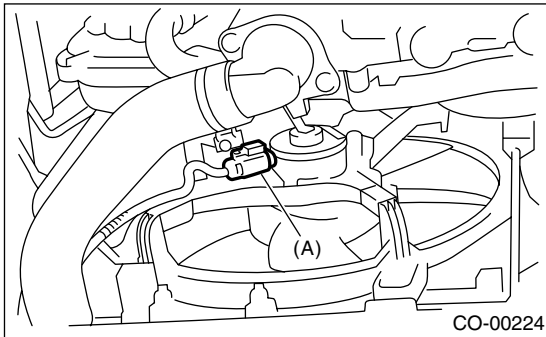
## 9. Radiator Main Fan and Fan Motor

### A: REMOVAL

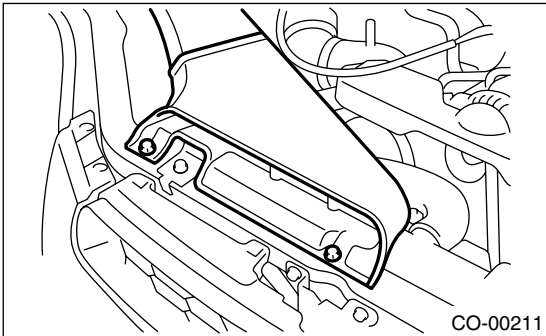
- 1) Disconnect the ground cable from battery.



- 2) Lift-up the vehicle.
- 3) Remove the under cover.
- 4) Disconnect the connector of main fan motor (A).

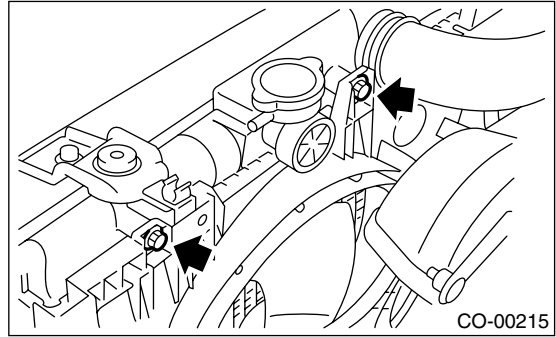


- 5) Lower the vehicle.
- 6) Remove the air intake duct.



- 7) Disconnect the overflow hose.
- 8) Remove the overflow pipe.
- 9) Remove the reservoir tank. <Ref. to CO(H4DOTC)-32, REMOVAL, Reservoir Tank.>

- 10) Remove the radiator main fan motor assembly.



### B: INSTALLATION

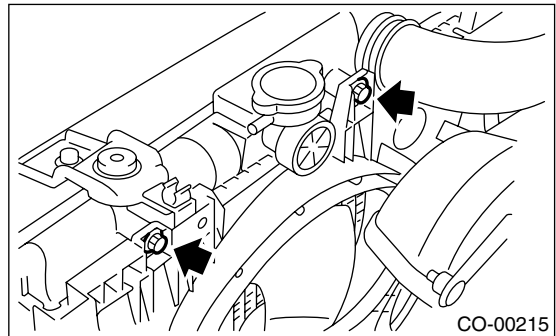
Install in the reverse order of removal.

#### NOTE:

When the main fan motor assembly cannot be installed as is, loosen the sub fan motor assembly securing bolts to install it.

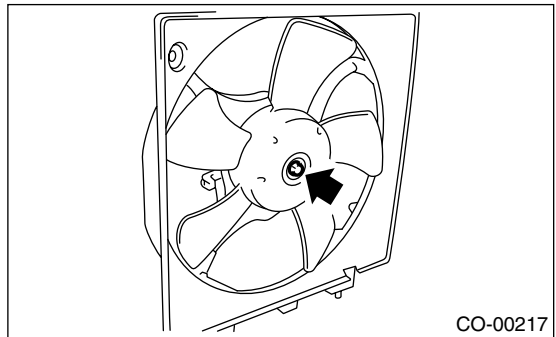
#### Tightening torque:

**4.9 N-m (0.50 kgf-m, 3.6 ft-lb)**

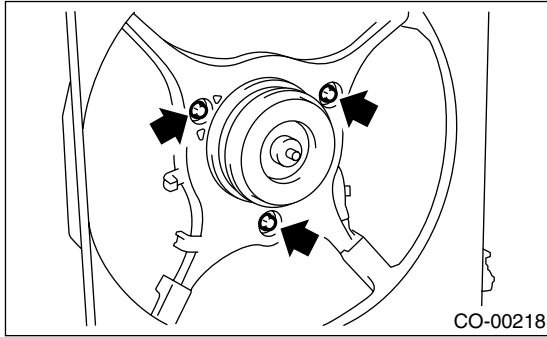


### C: DISASSEMBLY

- 1) Remove the nut which holds the fan itself onto fan motor and shroud assembly.



2) Remove the bolts which install the fan motor onto shroud.

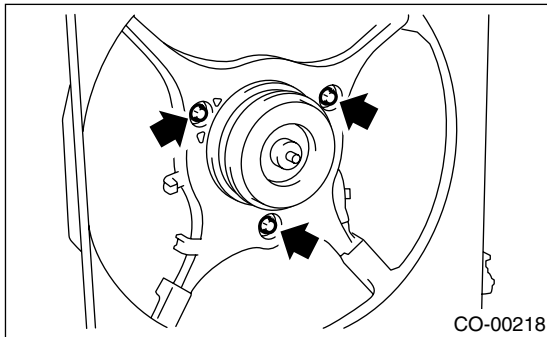


## D: ASSEMBLY

Assemble in the reverse order of disassembly.

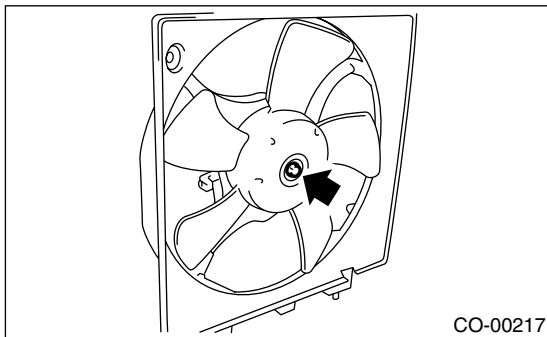
**Tightening torque:**

**4.4 N·m (0.45 kgf-m, 3.3 ft-lb)**



**Tightening torque:**

**3.4 N·m (0.35 kgf-m, 2.5 ft-lb)**



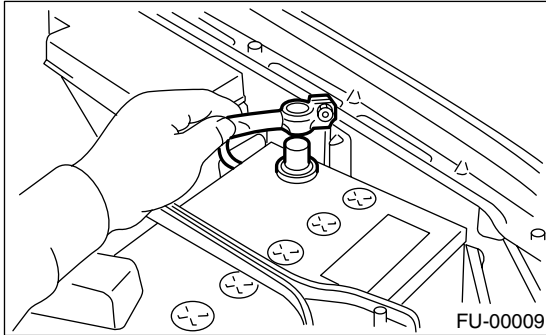
# Radiator Sub Fan and Fan Motor

COOLING

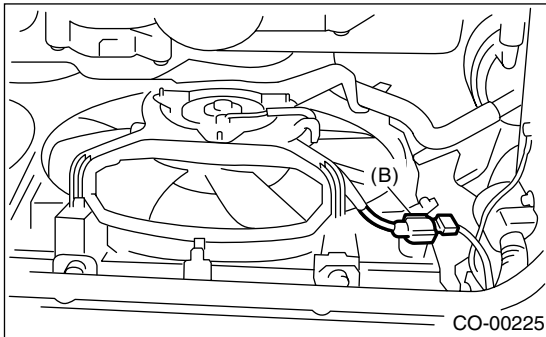
## 10. Radiator Sub Fan and Fan Motor

### A: REMOVAL

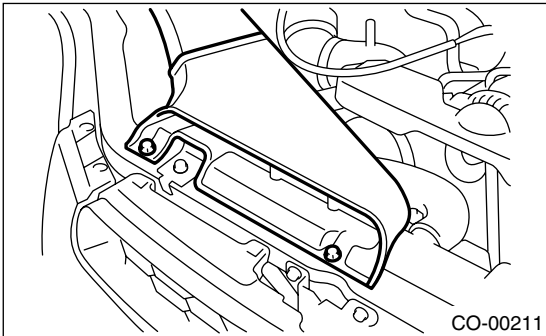
- 1) Disconnect the ground cable from battery.



- 2) Lift-up the vehicle.
- 3) Remove the under cover.
- 4) Disconnect the connector of sub fan motor (B).

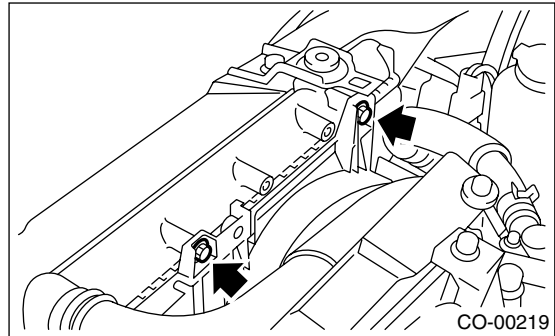


- 5) Lower the vehicle.
- 6) Remove the air intake duct.



- 7) Remove the bolts which hold the sub fan shroud to radiator.
- 8) Remove the overflow pipe.

- 9) Remove the radiator sub fan shroud through the under side of vehicle.

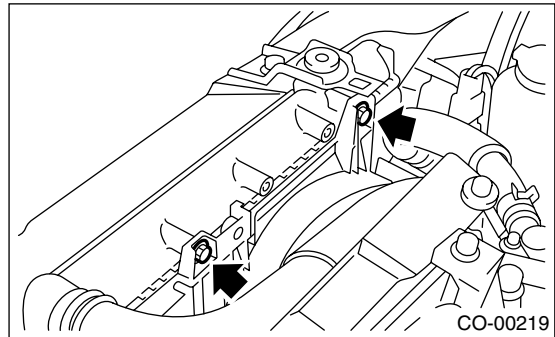


### B: INSTALLATION

Install in the reverse order of removal.

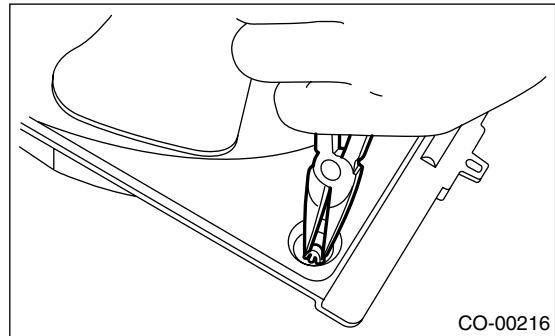
#### Tightening torque:

**4.9 N·m (0.50 kgf·m, 3.6 ft·lb)**

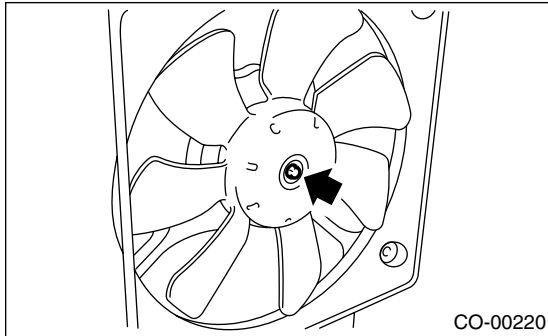


### C: DISASSEMBLY

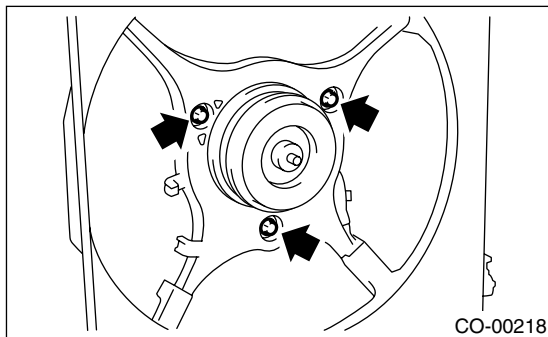
- 1) Remove the clip which holds the motor harness onto shroud.



2) Remove the nut which holds the fan itself onto fan motor and shroud assembly.



3) Remove the bolts which install the fan motor onto shroud.

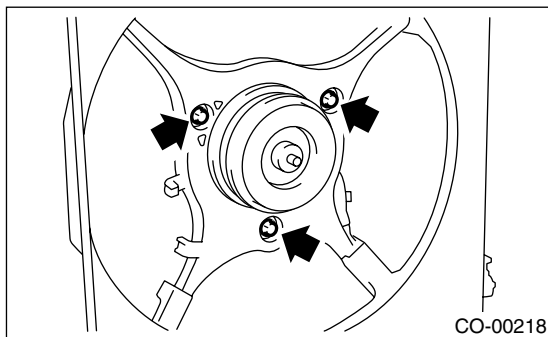


## D: ASSEMBLY

Assemble in the reverse order of disassembly.

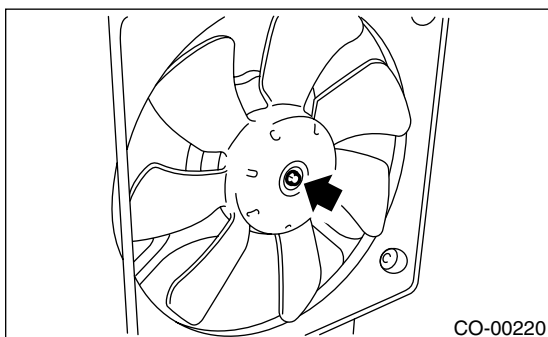
**Tightening torque:**

**4.4 N·m (0.45 kgf·m, 3.3 ft·lb)**



**Tightening torque:**

**3.4 N·m (0.35 kgf·m, 2.5 ft·lb)**

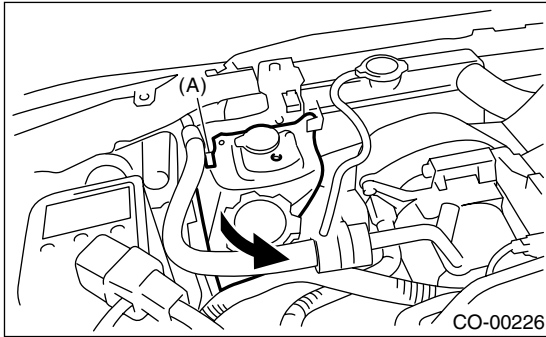




## 11. Reservoir Tank

### A: REMOVAL

- 1) Disconnect the overflow hose from the radiator filler neck position.
- 2) Pull out the reservoir tank to direction of arrow while pushing the pawl (A).



### B: INSTALLATION

Install in the reverse order of removal.

#### NOTE:

Refer to COMPONENT for tightening torque. <Ref. to CO(H4DOTC)-3, COMPONENT, General Description.>

### C: INSPECTION

Make sure the engine coolant level is between full and low.

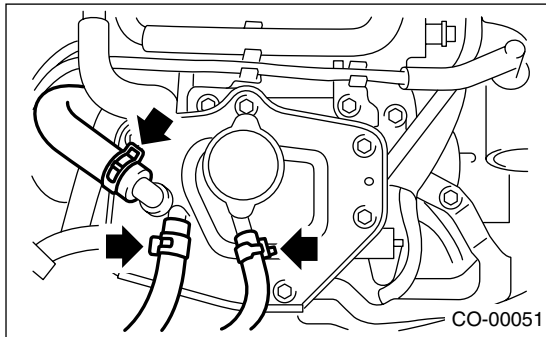
## 12. Coolant Filler Tank

### A: REMOVAL

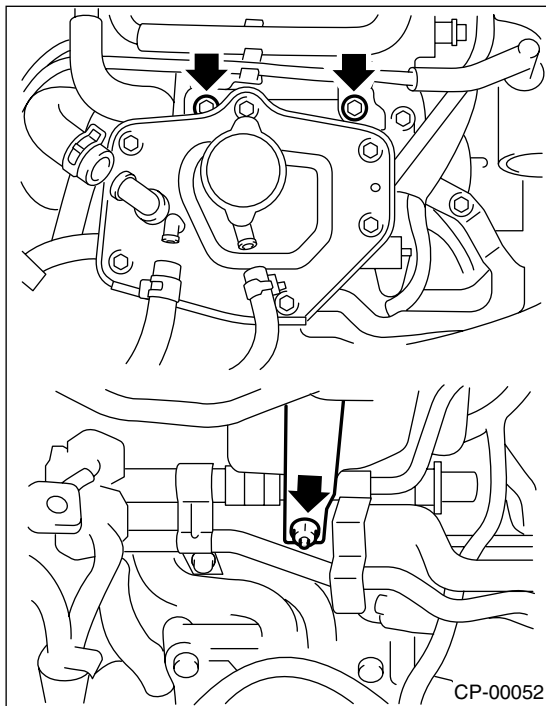
#### WARNING:

The radiator is pressurized. Wait until the engine cools down before working on the radiator.

- 1) Drain the coolant about 3.0 ℓ (3.2 US qt, 2.6 Imp qt). <Ref. to CO(H4DOTC)-18, DRAINING OF ENGINE COOLANT, REPLACEMENT, Engine Coolant.>
- 2) Remove the air cleaner upper cover and air intake boot. <Ref. to IN(H4DOTC)-7, REMOVAL, Air Cleaner.>
- 3) Remove the air cleaner element.
- 4) Disconnect the engine coolant hoses from coolant filler tank.



- 5) Remove the bolts and nut which install the coolant filler tank.
- 6) Disconnect the engine coolant hose which connects the under side of coolant filler tank.
- 7) Remove the coolant filler tank.



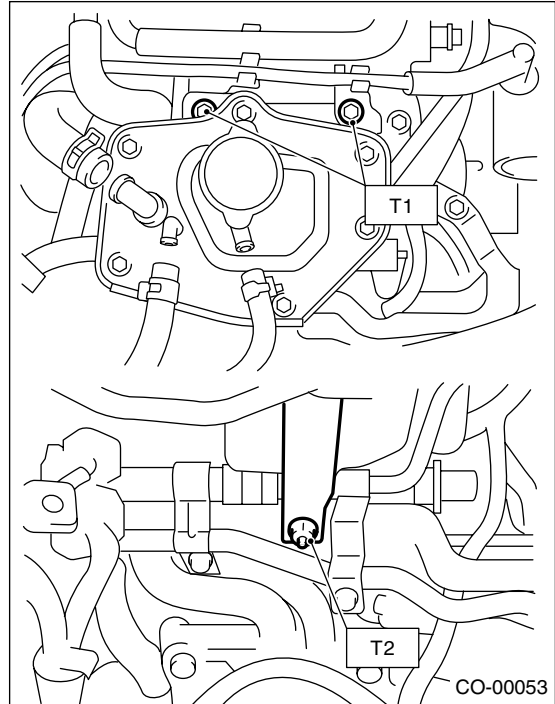
### B: INSTALLATION

- 1) Install in the reverse order of removal.

#### Tightening torque:

**T1: 16 N·m (1.6 kgf-m, 11.8 ft-lb)**

**T2: 13 N·m (1.3 kgf-m, 9.6 ft-lb)**



- 2) Fill engine coolant. <Ref. to CO(H4DOTC)-18, FILLING OF ENGINE COOLANT, REPLACEMENT, Engine Coolant.>

# Engine Cooling System Trouble in General

COOLING

## 13.Engine Cooling System Trouble in General

### A: INSPECTION

Trouble	Possible cause	Corrective action
Over-heating	a. Insufficient engine coolant	Replenish the engine coolant, inspect for leakage, and repair.
	b. Loose timing belt	Repair or replace the timing belt tensioner.
	c. Oil on drive belt	Replace.
	d. Malfunction of thermostat	Replace.
	e. Malfunction of water pump	Replace.
	f. Clogged engine coolant passage	Clean.
	g. Improper ignition timing	Inspect and repair the ignition control system. <Ref. to EN(H4DOTC)(diag)-2, PROCEDURE, Basic Diagnostic Procedure.>
	h. Clogged or leaking radiator	Clean or repair, or replace.
	i. Improper engine oil in engine coolant	Replace the engine coolant.
	j. Air/fuel mixture ratio too lean	Inspect and repair the fuel injection system. <Ref. to EN(H4DOTC)(diag)-2, PROCEDURE, Basic Diagnostic Procedure.>
	k. Excessive back pressure in exhaust system	Clean or replace.
	l. Insufficient clearance between piston and cylinder	Adjust or replace.
	m. Slipping clutch	Repair or replace.
	n. Dragging brake	Adjust.
	o. Defective thermostat	Replace.
p. Malfunction of radiator fan	Inspect the radiator fan relay, engine coolant temperature sensor or radiator motor and replace there.	
Over-cooling	a. Atmospheric temperature extremely low	Partly cover the radiator front area.
	b. Defective thermostat	Replace.
Engine coolant leaks.	a. Loosened or damaged connecting units on hoses	Repair or replace.
	b. Leakage from water pump	Replace.
	c. Leakage from water pipe	Repair or replace.
	d. Leakage around cylinder head gasket	Retighten the cylinder head bolts or replace gasket.
	e. Damaged or cracked cylinder head and crankcase	Repair or replace.
	f. Damaged or cracked thermostat case	Repair or replace.
	g. Leakage from radiator	Repair or replace.
Noise	a. Defective drive belt	Replace.
	b. Defective radiator fan	Replace.
	c. Defective water pump bearing	Replace the water pump.
	d. Defective water pump mechanical seal	Replace the water pump.