

TRANSMISSION SECTION

This service manual has been prepared to provide SUBARU service personnel with the necessary information and data for the correct maintenance and repair of SUBARU vehicles.

This manual includes the procedures for maintenance, disassembling, reassembling, inspection and adjustment of components and diagnostics for guidance of experienced mechanics.

Please peruse and utilize this manual fully to ensure complete repair work for satisfying our customers by keeping their vehicle in optimum condition. When replacement of parts during repair work is needed, be sure to use SUBARU genuine parts.

All information, illustration and specifications contained in this manual are based on the latest product information available at the time of publication approval.

CONTROL SYSTEMS**CS****AUTOMATIC TRANSMISSION****4AT****AUTOMATIC TRANSMISSION
(DIAGNOSTICS)****4AT(diag)****MANUAL TRANSMISSION AND
DIFFERENTIAL****5MT****MANUAL TRANSMISSION AND
DIFFERENTIAL****6MT****MANUAL TRANSMISSION AND
DIFFERENTIAL (DIAGNOSTICS)****6MT(diag)****CLUTCH SYSTEM****CL**

AUTOMATIC TRANSMISSION (DIAGNOSTICS)

4AT(diag)

	Page
1. Basic Diagnostic Procedure	2
2. Check List for Interview	4
3. General Description	5
4. Electrical Components Location.....	8
5. Transmission Control Module (TCM) I/O Signal	13
6. Subaru Select Monitor.....	21
7. Read Diagnostic Trouble Code (DTC)	24
8. Inspection Mode	25
9. Clear Memory Mode.....	26
10. POWER Indicator Light Display	27
11. List of Diagnostic Trouble Code (DTC)	28
12. Diagnostic Procedure for POWER Indicator Light	30
13. Diagnostic Procedure for Select Monitor Communication.....	37
14. Diagnostic Procedure with Diagnostic Trouble Code (DTC)	40
15. Diagnostic Procedure without Diagnostic Trouble Code (DTC)	95
16. Symptom Related Diagnostic.....	131

Basic Diagnostic Procedure

AUTOMATIC TRANSMISSION (DIAGNOSTICS)

1. Basic Diagnostic Procedure

A: PROCEDURE

Step	Check	Yes	No
1 CHECK PRE-INSPECTION. 1)Ask the customer when and how trouble occurred using interview checklist. <Ref. to 4AT(diag)-4, Check List for Interview.> 2)Before performing the diagnosis, inspect following items which might influence the AT problems. •General inspection <Ref. to 4AT(diag)-5, INSPECTION, General Description.> •Oil leak •Stall speed test <Ref. to 4AT-35, Stall Test.> •Line pressure test <Ref. to 4AT-38, Line Pressure Test.> •Transfer clutch pressure test <Ref. to 4AT-39, Transfer Clutch Pressure Test.> •Time lag test <Ref. to 4AT-37, Time Lag Test.> •Road test <Ref. to 4AT-34, Road Test.> •Inhibitor switch <Ref. to 4AT-52, Inhibitor Switch.>	Is the unit that might influence AT problem normal?	Go to step 2.	Repair or replace each item.
2 CHECK POWER INDICATOR LIGHT. Turn the ignition switch to ON.	Does the POWER indicator light illuminate?	Go to step 4.	Go to step 3.
3 CHECK POWER INDICATOR LIGHT. 1)Turn the ignition switch to OFF. 2)Repair the POWER indicator light circuit or power supply and ground line circuit. <Ref. to 4AT(diag)-30, Diagnostic Procedure for POWER Indicator Light.> 3)Turn the ignition switch to ON. 4)Start the engine.	Is the POWER indicator light blink?	Go to step 4.	Go to step 5.
4 CHECK INDICATION OF DTC. Calling up the DTC. With Subaru Select Monitor <Ref. to 4AT(diag)-24, OPERATION, Read Diagnostic Trouble Code (DTC).> NOTE: If the communication function of select monitor cannot be executed normally, check the communication circuit. <Ref. to 4AT(diag)-37, COMMUNICATION FOR INITIALIZING IMPOSSIBLE, Diagnostic Procedure for Select Monitor Communication.>	Is the DTC displayed?	Go to step 6. NOTE: Record all DTC.	Go to step 5.

Basic Diagnostic Procedure

AUTOMATIC TRANSMISSION (DIAGNOSTICS)

Step	Check	Yes	No
<p>5 PERFORM THE GENERAL DIAGNOSTICS. 1)Inspect using “Diagnostic Procedure without DTC”. <Ref. to 4AT(diag)-95, Diagnostic Procedure without Diagnostic Trouble Code (DTC).> 2)Inspect using “Symptom Related Diagnostic”. <Ref. to 4AT(diag)-131, Symptom Related Diagnostic.> 3)Perform the clear memory mode. Without Subaru Select Monitor <Ref. to 4AT(diag)-26, WITH SUBARU SELECT MONITOR, OPERATION, Clear Memory Mode.> With Subaru Select Monitor <Ref. to 4AT(diag)-26, WITHOUT SUBARU SELECT MONITOR, OPERATION, Clear Memory Mode.> 4)Perform the inspection mode. <Ref. to 4AT(diag)-25, Inspection Mode.> 5)Calling up the DTC. With Subaru Select Monitor <Ref. to 4AT(diag)-24, OPERATION, Read Diagnostic Trouble Code (DTC).></p>	<p>Is the DTC displayed?</p>	<p>Complete the diagnosis.</p>	<p>Go to step 6.</p>
<p>6 PERFORM THE DIAGNOSIS. 1)Inspect using “Diagnostics Chart with DTC”. <Ref. to 4AT(diag)-40, Diagnostic Procedure with Diagnostic Trouble Code (DTC).> NOTE: For DTC table, refer to “List of Diagnostic Trouble Code (DTC)”. <Ref. to 4AT(diag)-28, List of Diagnostic Trouble Code (DTC).> 2)Repair the trouble cause. 3)Perform the clear memory mode. Without Subaru Select Monitor <Ref. to 4AT(diag)-26, WITH SUBARU SELECT MONITOR, OPERATION, Clear Memory Mode.> With Subaru Select Monitor <Ref. to 4AT(diag)-26, WITHOUT SUBARU SELECT MONITOR, OPERATION, Clear Memory Mode.> 4)Perform the inspection mode. <Ref. to 4AT(diag)-25, Inspection Mode.> 5)Calling up the DTC. With Subaru Select Monitor <Ref. to 4AT(diag)-24, OPERATION, Read Diagnostic Trouble Code (DTC).></p>	<p>Is the DTC displayed?</p>	<p>Complete the diagnosis.</p>	<p>Inspect using “Diagnostics Chart with Diagnostic Connector”. <Ref. to 4AT(diag)-40, Diagnostic Procedure with Diagnostic Trouble Code (DTC).></p>

Check List for Interview

AUTOMATIC TRANSMISSION (DIAGNOSTICS)

2. Check List for Interview

A: CHECK

Check the following items when problem has occurred.

NOTE:

Use copies of this page for interviewing customers.

Customer's name			
Date of purchase			
Date of repair			
Trans. model	TRANSMISSION	VIN	
Odometer reading			km/h or miles
Frequency	<input type="checkbox"/> Continuous <input type="checkbox"/> Intermittent (times a day)		
Weather	<input type="checkbox"/> Fine <input type="checkbox"/> Cloudy <input type="checkbox"/> Rainy <input type="checkbox"/> Snowy <input type="checkbox"/> Various/Others ()		
Place	<input type="checkbox"/> High <input type="checkbox"/> Suburbs <input type="checkbox"/> Inner city <input type="checkbox"/> Uphill <input type="checkbox"/> Rough road <input type="checkbox"/> Others ()		
Outdoor temperature	<input type="checkbox"/> Hot <input type="checkbox"/> Warm <input type="checkbox"/> Cool <input type="checkbox"/> Cold		
Vehicle speed			km/h (MPH)
AT diagnostic indicator light (POWER indicator light)	<input type="checkbox"/> Continuously lit		<input type="checkbox"/> Not lit
Select lever position	<input type="checkbox"/> P <input type="checkbox"/> R <input type="checkbox"/> N <input type="checkbox"/> D <input type="checkbox"/> 3 <input type="checkbox"/> 2 <input type="checkbox"/> 1		
Driving condition	<input type="checkbox"/> Not affected <input type="checkbox"/> At racing <input type="checkbox"/> While decelerating	<input type="checkbox"/> At starting <input type="checkbox"/> While accelerating <input type="checkbox"/> While turning (<input type="checkbox"/> RH / <input type="checkbox"/> LH)	<input type="checkbox"/> While idling <input type="checkbox"/> While cruising
POWER switch	<input type="checkbox"/> ON <input type="checkbox"/> OFF		
HOLD switch	<input type="checkbox"/> ON <input type="checkbox"/> OFF		
Symptoms	<input type="checkbox"/> No up-shift		
	<input type="checkbox"/> No down-shift		
	<input type="checkbox"/> No kick down		
	<input type="checkbox"/> Vehicle does not move (<input type="checkbox"/> Any position <input type="checkbox"/> Particular position)		
	<input type="checkbox"/> Lock-up malfunction		
	<input type="checkbox"/> Noise or vibration		
	<input type="checkbox"/> Shift shock or slip		
	<input type="checkbox"/> Select lever does not move		
	<input type="checkbox"/> Others ()		

General Description

AUTOMATIC TRANSMISSION (DIAGNOSTICS)

3. General Description

A: CAUTION

- **Supplemental Restraint System “Airbag”**

The airbag system wiring harness is routed near the transmission control module (TCM).

CAUTION:

- All airbag system wiring harness and connectors are colored yellow. Do not use an electrical test equipment on these circuit.
- Be careful not to damage the airbag system wiring harness when performing diagnostics and servicing the TCM.

- **Measurement**

When measuring the voltage and resistance of ECM, TCM or each sensor, use a tapered pin with diameter of less than 0.64 mm (0.025 in) in order to avoid poor contact. Do not insert the pin more than 0.65 mm (0.256 in).

B: INSPECTION

1. BATTERY

Measure the battery voltage and specific gravity of electrolyte.

Standard voltage: 12 V or more

Specific gravity: Above 1.260

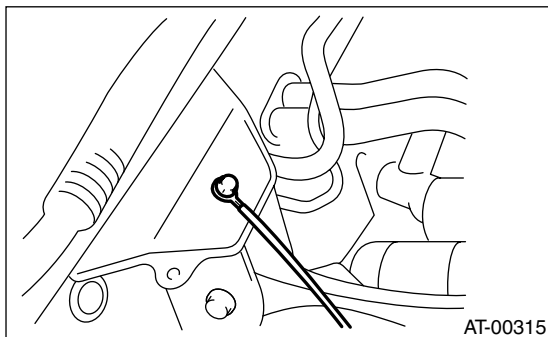
2. TRANSMISSION GROUND

Make sure that the ground terminal bolt is tightened securely.

- **Chassis side**

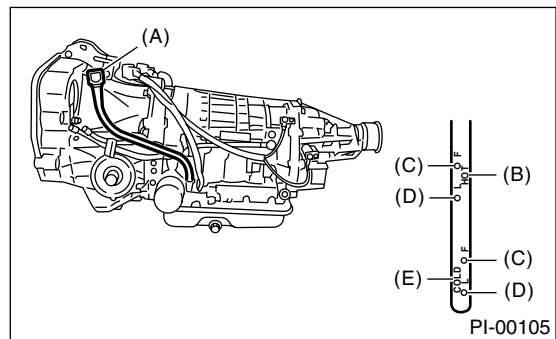
Tightening torque:

13 N·m (1.3 kgf·m, 9.4 ft·lb)



3. ATF LEVEL

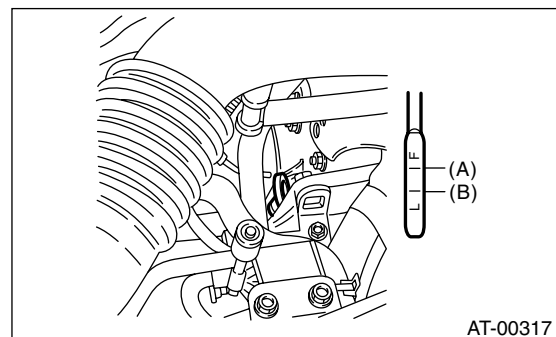
Make sure that ATF level is in the specification. <Ref. to 4AT-31, INSPECTION, Automatic Transmission Fluid.>



- (A) Level gauge
- (B) “HOT” side
- (C) Upper level
- (D) Lower level
- (E) “COLD” side

4. FRONT DIFFERENTIAL OIL LEVEL

Make sure that the front differential oil level is in specification. <Ref. to 4AT-33, INSPECTION, Differential Gear Oil.>



- (A) Upper level
- (B) Lower level

5. OPERATION OF SHIFT SELECT LEVER

Make sure there is no abnormal noise, dragging or contact pattern in each select lever range.

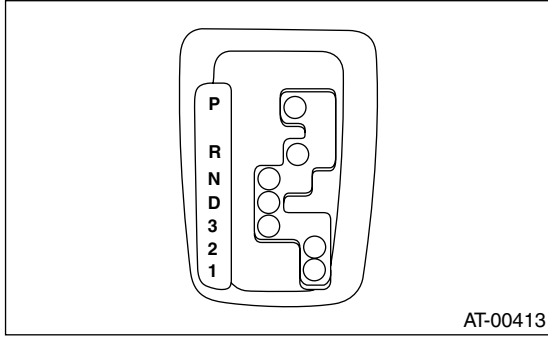
WARNING:

Stop the engine while checking operation of selector lever.

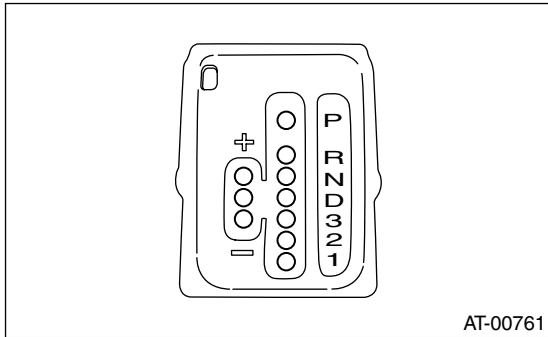
General Description

AUTOMATIC TRANSMISSION (DIAGNOSTICS)

- Without SPORT shift

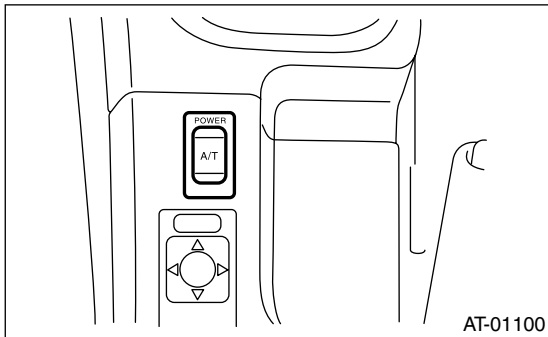


- With SPORT shift



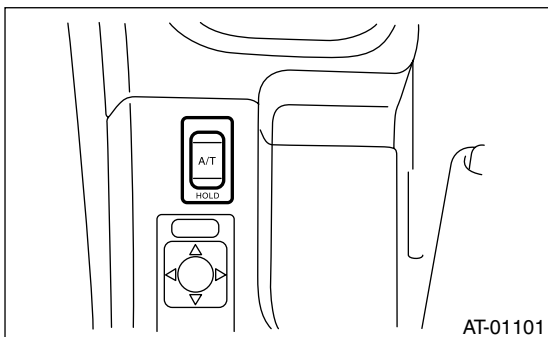
6. POWER SWITCH

Make sure that the POWER indicator light in combination meter comes ON, when turning the POWER switch to ON.



7. HOLD SWITCH

Make sure that the HOLD indicator light in combination meter comes ON, when turning the HOLD switch to ON.

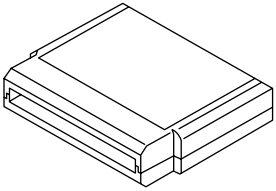



General Description

AUTOMATIC TRANSMISSION (DIAGNOSTICS)

C: PREPARATION TOOL

1. SPECIAL TOOLS

ILLUSTRATION	TOOL NUMBER	DESCRIPTION	REMARKS
 ST24082AA230	24082AA230	CARTRIDGE	Troubleshooting for electrical systems.
 ST22771AA030	22771AA030	SUBARU SELECT MONITOR KIT	Troubleshooting for electrical systems. <ul style="list-style-type: none">• English: 22771AA030 (Without printer)• German: 22771AA070 (Without printer)• French: 22771AA080 (Without printer)• Spanish: 22771AA090 (Without printer)

2. GENERAL PURPOSE TOOLS

TOOL NAME	REMARKS
Circuit Tester	Used for measuring resistance, voltage and ampere.
Oscilloscope	Used for measuring sensor.

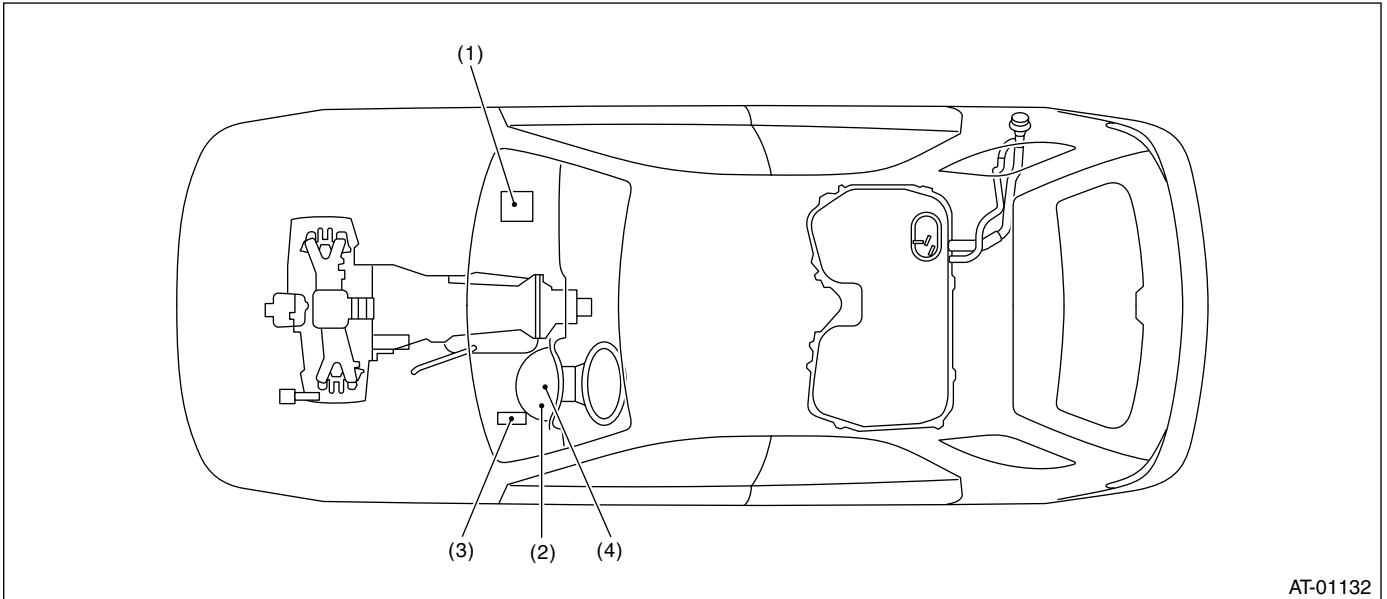
Electrical Components Location

AUTOMATIC TRANSMISSION (DIAGNOSTICS)

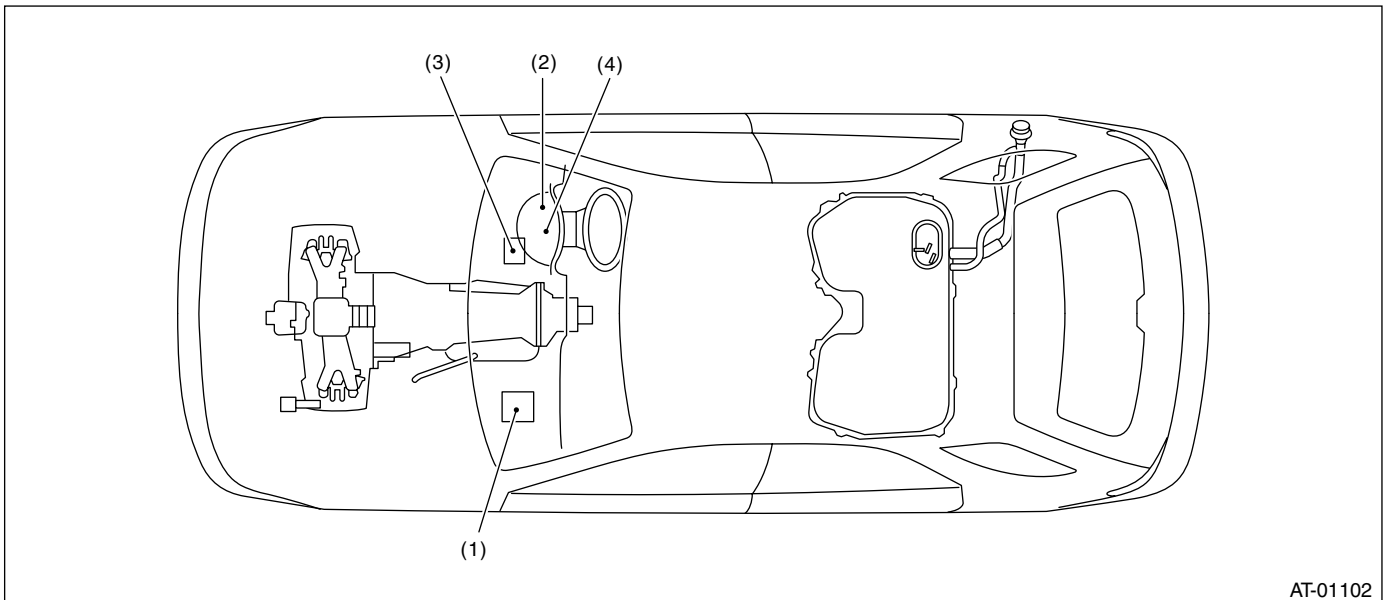
4. Electrical Components Location

A: LOCATION

1. CONTROL MODULE



AT-01132

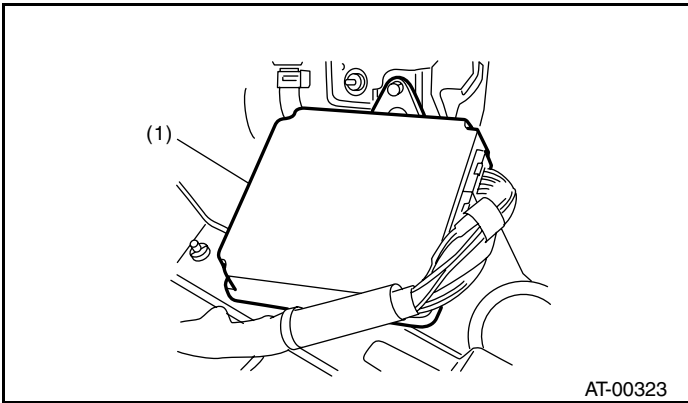


AT-01102

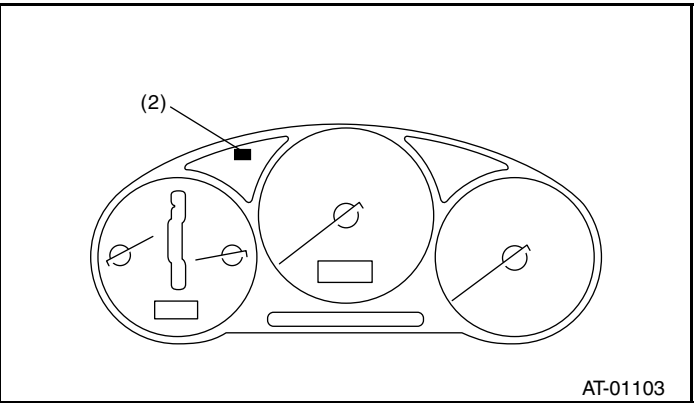
- | | | |
|---|---------------------------------------|-------------------------|
| (1) Engine control module (ECM) | (3) Transmission control module (TCM) | (4) Data link connector |
| (2) POWER indicator light (AT diagnostic indicator light) | | |

Electrical Components Location

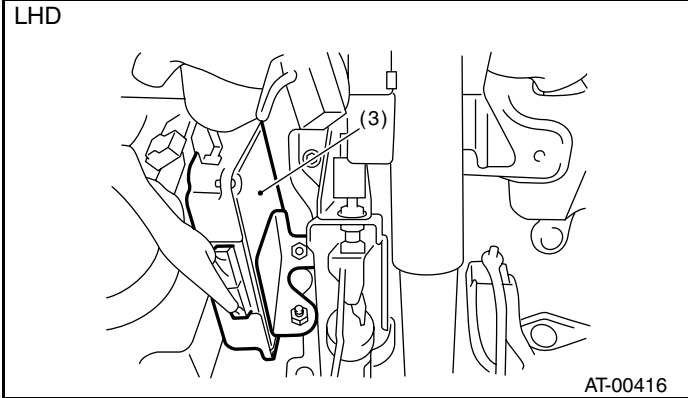
AUTOMATIC TRANSMISSION (DIAGNOSTICS)



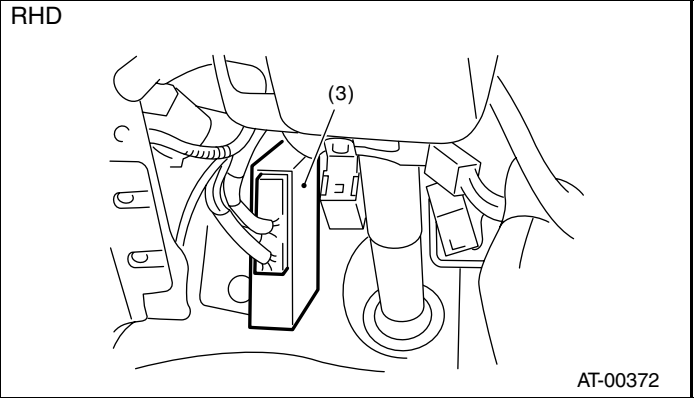
AT-00323



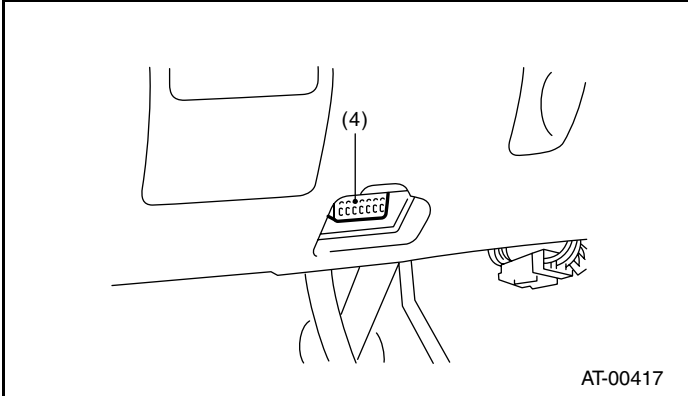
AT-01103



AT-00416



AT-00372



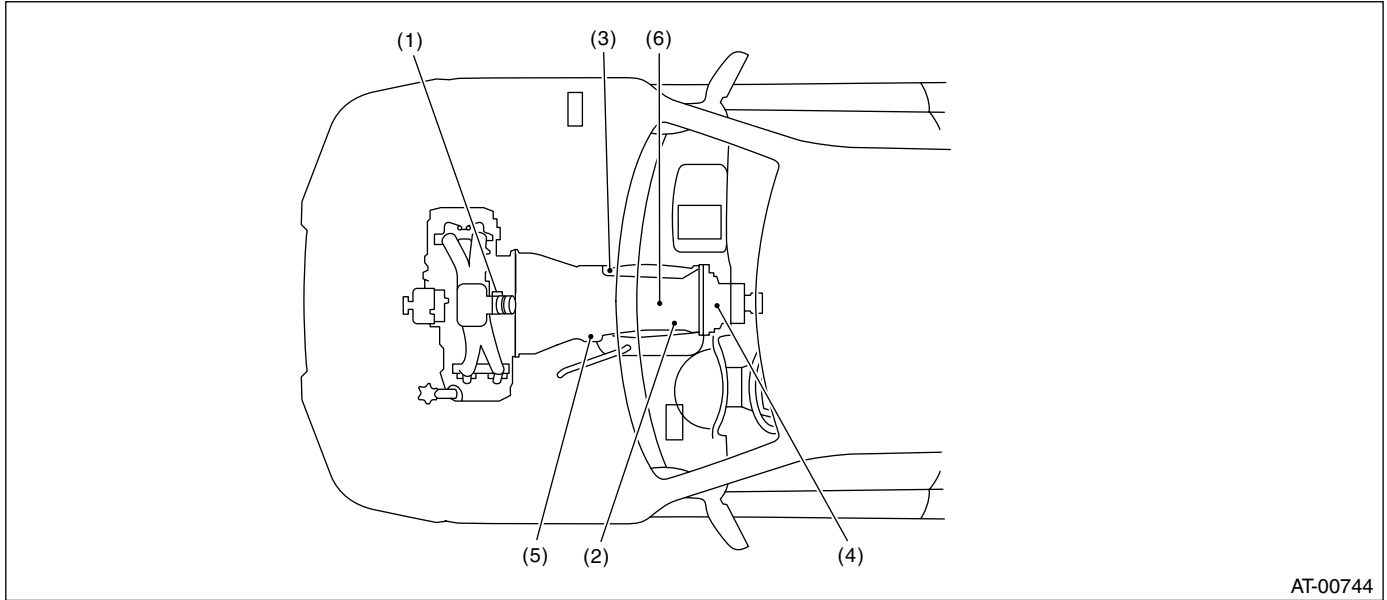
AT-00417

SUBARU.

Electrical Components Location

AUTOMATIC TRANSMISSION (DIAGNOSTICS)

2. SENSOR

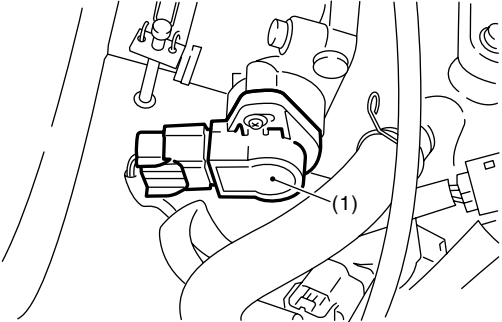
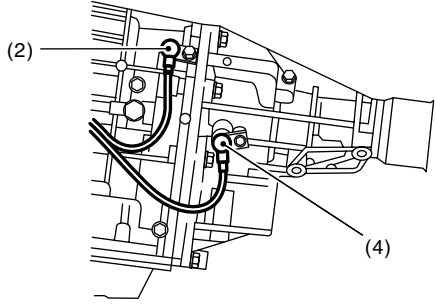
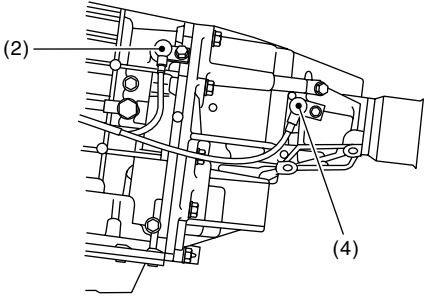
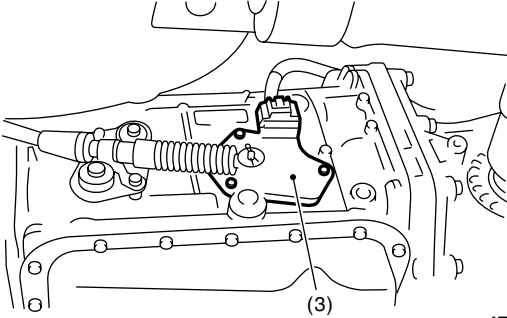
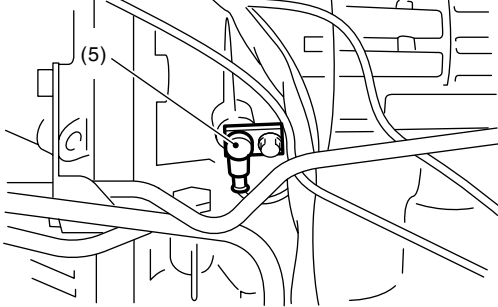
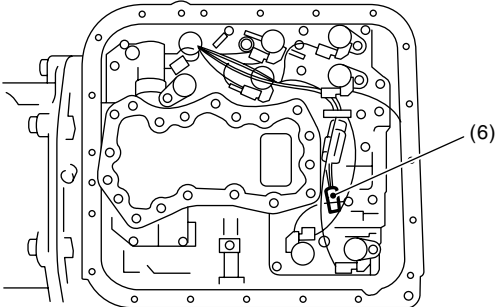


AT-00744

- | | | |
|--------------------------------|---|----------------------------|
| (1) Throttle position sensor | (4) Rear vehicle speed sensor | (6) ATF temperature sensor |
| (2) Front vehicle speed sensor | (5) Torque converter turbine speed sensor | |
| (3) Inhibitor switch | | |

Electrical Components Location

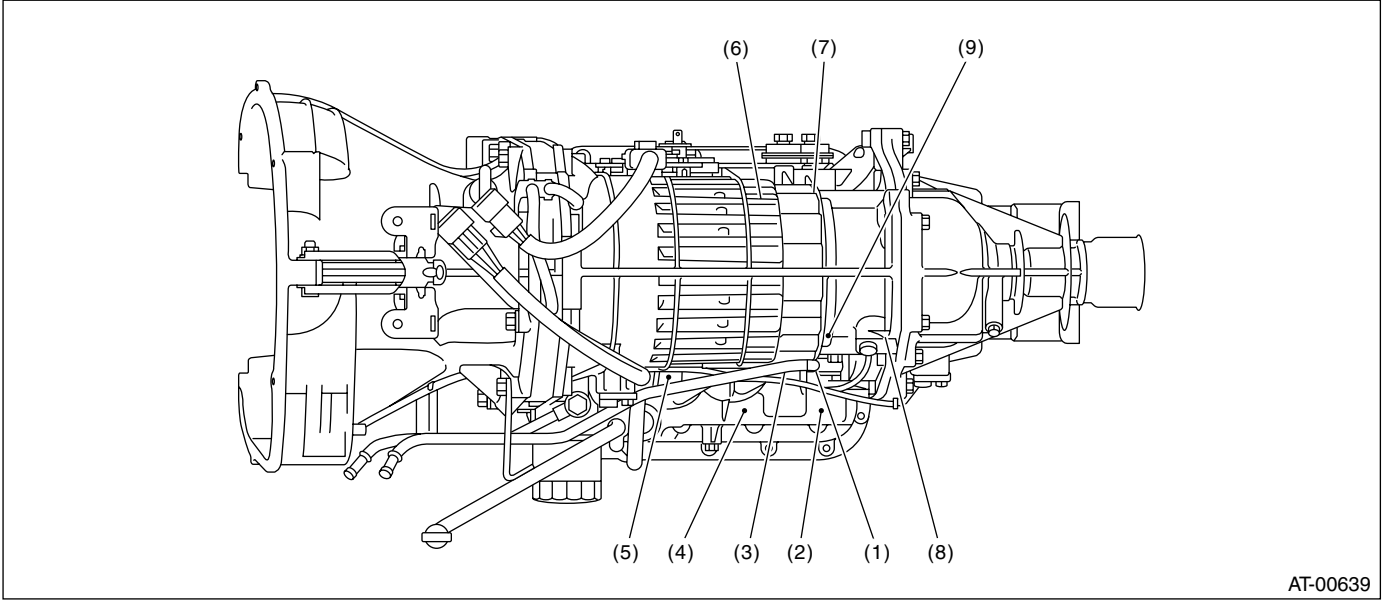
AUTOMATIC TRANSMISSION (DIAGNOSTICS)

 <p>AT-00328</p>	<p>SOHC model</p>  <p>AT-00329</p>
<p>DOHC turbo model</p>  <p>AT-01133</p>	 <p>AT-00330</p>
 <p>AT-00331</p>	 <p>AT-00332</p>

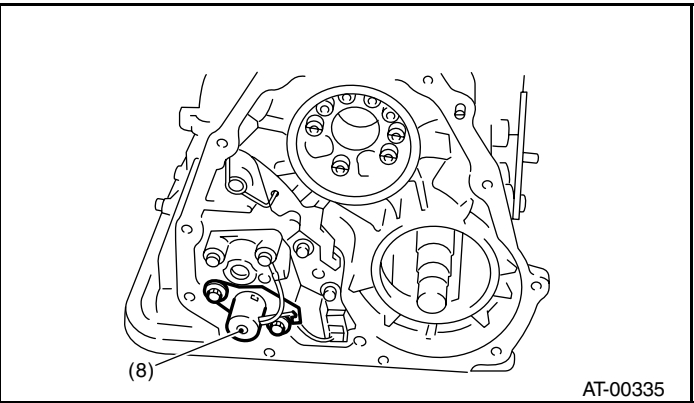
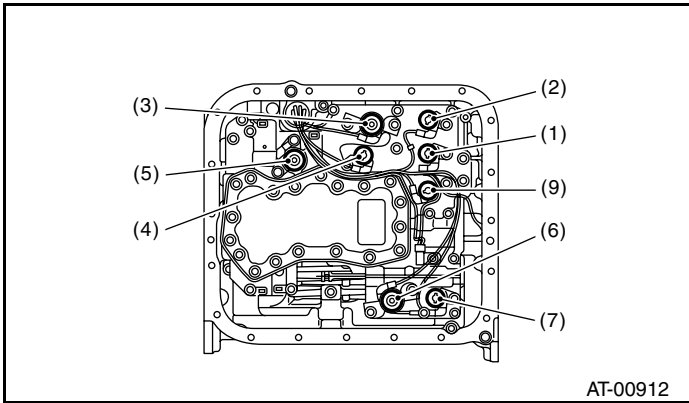
Electrical Components Location

AUTOMATIC TRANSMISSION (DIAGNOSTICS)

3. SOLENOID



- | | | |
|---------------------------------|-------------------------------|---|
| (1) Solenoid 1 | (5) Lock-up duty solenoid | (8) Transfer duty solenoid |
| (2) Solenoid 2 | (6) 2-4 brake duty solenoid | (9) Sport shift solenoid (with SPORT shift) |
| (3) Line pressure duty solenoid | (7) 2-4 brake timing solenoid | |
| (4) Low clutch timing solenoid | | |

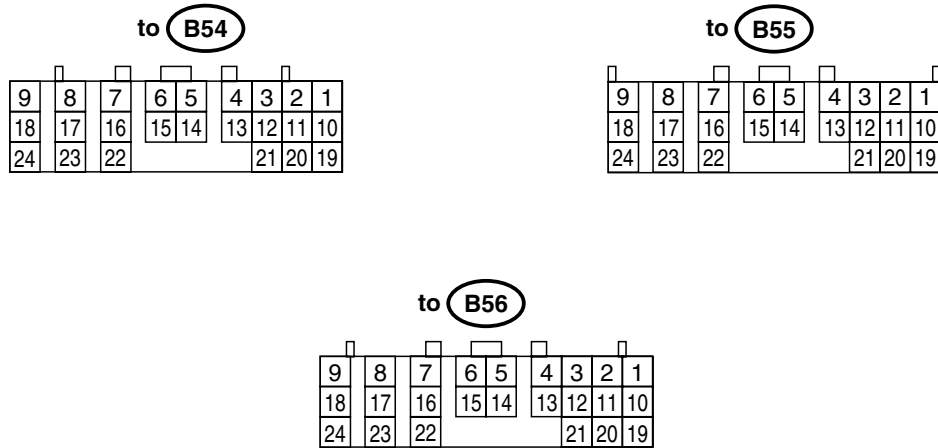


Transmission Control Module (TCM) I/O Signal

AUTOMATIC TRANSMISSION (DIAGNOSTICS)

5. Transmission Control Module (TCM) I/O Signal

A: ELECTRICAL SPECIFICATION



AT-00568

Check with ignition switch ON.					
Content	Connector No.	Terminal No.	Measuring conditions	Voltage (V)	Resistance to body (ohms)
Back-up power supply	B56	1	Ignition switch OFF	10 — 13	—
Ignition power supply	B54	23	Ignition switch ON (with engine OFF)	10 — 13	—
	B54	24			
Inhibitor switch	“P” range switch	B55	1	Select lever in “P” range	Less than 1
				Select lever in any other than “P” range (except “N” range)	More than 8
	“N” range switch	B55	14	Select lever in “N” range	Less than 1
				Select lever in any other than “N” range (except “P” range)	More than 8
	“R” range switch	B55	3	Select lever in “R” range	Less than 1
				Select lever in any other than “R” range	More than 8
	“D” range switch	B55	4	Select lever in “D” range	Less than 1
				Select lever in any other than “D” range	More than 8
	“3” range switch	B55	5	Select lever in “3” range	Less than 1
				Select lever in any other than “3” range	More than 8

Transmission Control Module (TCM) I/O Signal

AUTOMATIC TRANSMISSION (DIAGNOSTICS)

Check with ignition switch ON.						
Content		Connector No.	Terminal No.	Measuring conditions	Voltage (V)	Resistance to body (ohms)
Inhibitor switch	“2” range switch	B55	6	Select lever in “2” range	Less than 1	—
				Select lever in any other than “2” range	More than 8	
	“1” range switch	B55	7	Select lever in “1” range	Less than 1	—
				Select lever in any other than “1” range	More than 8	
Brake switch		B55	12	Brake pedal depressed.	More than 10.5	—
				Brake pedal released.	Less than 1	
Kick-down switch		B55	11	Throttle fully opened.	Less than 1	—
				Throttle fully closed.	More than 6.5	
AT OIL TEMP warning light		B56	10	Light ON	Less than 1	—
				Light OFF	More than 9	
Throttle position sensor		B54	3	Throttle fully closed.	0.2 — 1.0	—
				Throttle fully open.	4.2 — 4.7	
Throttle position sensor power supply		B54	2	Ignition switch ON (with engine OFF)	4.8 — 5.3	—
ATF temperature sensor		B54	11	ATF temperature 20°C (68°F)	1.6 — 2.0	2.1 k — 2.9 k
				ATF temperature 80°C (176°F)	0.4 — 0.9	275 — 375
Rear vehicle speed sensor		B55	24	Vehicle stopped.	0	450 — 650
				Vehicle speed at least 20 km/h (12 MPH)	More than 1 (AC range)	
Front vehicle speed sensor		B55	18	Vehicle stopped.	0	450 — 650
				Vehicle speed at least 20 km/h (12 MPH)	More than 1 (AC range)	
Torque converter turbine speed sensor		B55	8	Engine idling after warm-up. (D range)	0	450 — 650
				Engine idling after warm-up. (N range)	More than 1 (AC range)	
Vehicle speed output signal		B56	17	Vehicle speed at most 10 km/h (6 MPH)	Less than 1 ← → More than 4	—
Engine speed signal		B55	17	Ignition switch ON (with engine OFF)	More than 10.5	—
				Ignition switch ON (with engine ON)	8 — 11	
Cruise set signal		B55	22	When cruise control is set. (SET lamp ON)	Less than 1	—
				When cruise control is not set. (SET lamp OFF)	More than 6.5	
Torque control signal 1		B56	5	Ignition switch ON (with engine ON)	More than 4	—
Torque control signal 2		B56	14	Ignition switch ON (with engine ON)	More than 4	—
Torque control cut signal		B55	10	Ignition switch ON	8	—
Intake manifold pressure signal (SOHC model)		B54	1	Engine idling after warm-up.	0.4 — 1.6	—
Mass air flow signal (DOHC turbo model)		B54	1	Engine idling after warm-up.	0.9 — 1.4	—
Shift solenoid 1		B54	22	1st or 4th gear	More than 9	10 — 16
				2nd or 3rd gear	Less than 1	

Transmission Control Module (TCM) I/O Signal

AUTOMATIC TRANSMISSION (DIAGNOSTICS)

Check with ignition switch ON.					
Content	Connector No.	Terminal No.	Measuring conditions	Voltage (V)	Resistance to body (ohms)
Shift solenoid 2	B54	5	1st or 2nd gear	More than 9	10 — 16
			3rd or 4th gear	Less than 1	
Line pressure duty solenoid	B54	9	Ignition switch ON (with engine OFF) Throttle fully closed after warm-up.	1.5 — 4.0	2.0 — 4.5
			Ignition switch ON (with engine OFF) Throttle fully open after warm-up.	Less than 0.5	
Lock-up duty solenoid	B54	7	When lock up occurs.	More than 8.5	10 — 17
			When lock up is released.	Less than 0.5	
Transfer duty solenoid (SOHC model)	B54	6	Fuse on FWD switch	More than 8.5	10 — 17
			Fuse removed from FWD switch (with throttle fully open and with select lever in 1st gear).	Less than 0.5	
Transfer duty solenoid (DOHC turbo model)	B56	6	Throttle fully closed.	Less than 0.5	10 — 17
			Throttle fully open.	More than 8.5	
2-4 brake duty solenoid	B54	18	Throttle fully closed (with engine OFF) after warm-up.	1.5 — 5.0	2.0 — 4.5
			Throttle fully open (with engine OFF) after warm-up.	Less than 0.5	
2-4 brake timing solenoid	B54	16	1st gear	Less than 1	10 — 16
			3rd gear	More than 9	
Low clutch timing solenoid	B54	15	2nd gear	Less than 1	10 — 16
			4th gear	More than 9	
HOLD switch	B55	16	HOLD switch ON	Less than 1	—
			HOLD switch OFF	More than 8	—
POWER switch	B55	23	POWER switch ON	Less than 1	—
			POWER switch OFF	More than 10	—
POWER indicator light	B56	11	Light ON	Less than 1	—
			Light OFF	More than 9	—
FWD switch	B55	20	Fuse removed.	6 — 9.1	—
			Fuse installed.	Less than 1	—
AWD indicator light	B56	2	Fused ON FWD switch	Less than 1	—
			Fuse removed from FWD switch.	More than 9	—
ABS signal	B55	21	ABS switch ON	Less than 1	—
			ABS switch OFF	6.5 — 15	—
Sensor ground line 1	B54	20	—	0	Less than 1
Sensor ground line 2	B55	9	—	0	Less than 1
System ground line	B56	19	—	0	Less than 1
	B54	21			
Sensor ground line 3	B54	10	—	0	Less than 1
Sensor ground line 4	B54	19	—	0	Less than 1
AT diagnosis signal	B56	21	Ignition switch ON	Less than 1 ← → More than 4	—

Transmission Control Module (TCM) I/O Signal

AUTOMATIC TRANSMISSION (DIAGNOSTICS)

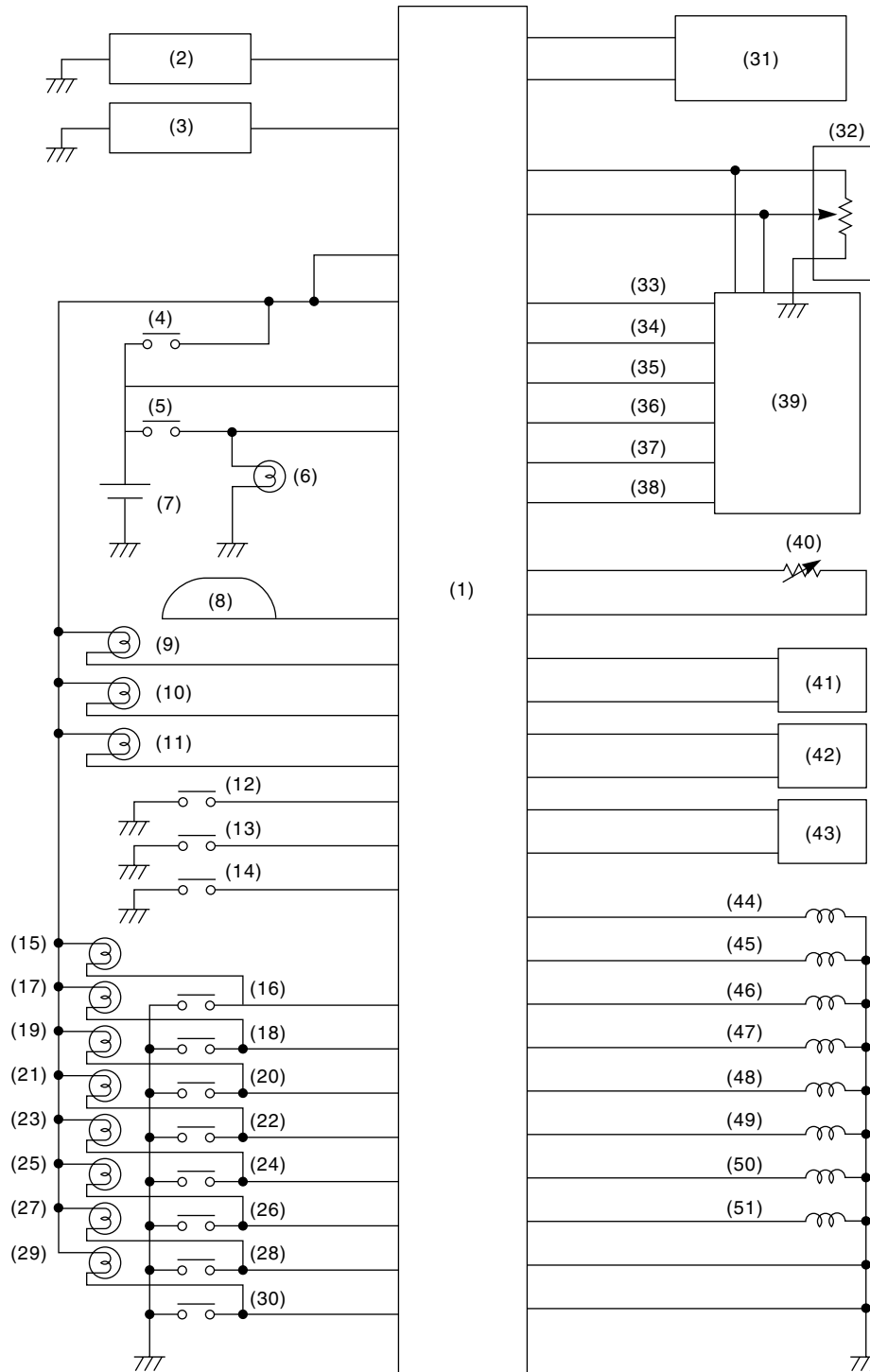
Check with ignition switch ON.					
Content	Connector No.	Terminal No.	Measuring conditions	Voltage (V)	Resistance to body (ohms)
Data link signal (Subaru Select Monitor)	B56	15	—	—	—
SPORT shift solenoid (with SPORT shift)	B54	14	SPORT shift activated	More than 8	10 — 16
			SPORT shift deactivated	Less than 1	
Manual mode switch (with SPORT shift)	B55	15	Manual mode switch ON	Less than 1	—
			Manual mode switch OFF	More than 8	
Shift up switch (with SPORT shift)	B55	13	Shift up switch ON	Less than 1	—
			Shift up switch OFF	More than 8	
Shift down switch (with SPORT shift)	B55	12	Shift down switch ON	Less than 1	—
			Shift down switch OFF	More than 8	
Buzzer (with SPORT shift)	B56	2	ON	Less than 1	—
			OFF	More than 8	
Gear position indicator (with SPORT shift)	B56	12	Manual mode OFF	More than 4	—
			Shift down indicator ON	Less than 1	
Gear position indicator (with SPORT shift)	B56	13	Manual mode OFF	More than 4	—
			Manual mode with 4th gear	Less than 1	
Gear position indicator (with SPORT shift)	B56	3	Manual mode OFF	More than 4	—
			Manual mode with 2nd and 3rd gear	Less than 1	
Gear position indicator (with SPORT shift)	B56	4	Manual mode OFF	More than 4	—
			Manual mode with 1st and 3rd gear	Less than 1	

Transmission Control Module (TCM) I/O Signal

AUTOMATIC TRANSMISSION (DIAGNOSTICS)

B: WIRING DIAGRAM

1. WITHOUT SPORT SHIFT



AT-01134

Transmission Control Module (TCM) I/O Signal

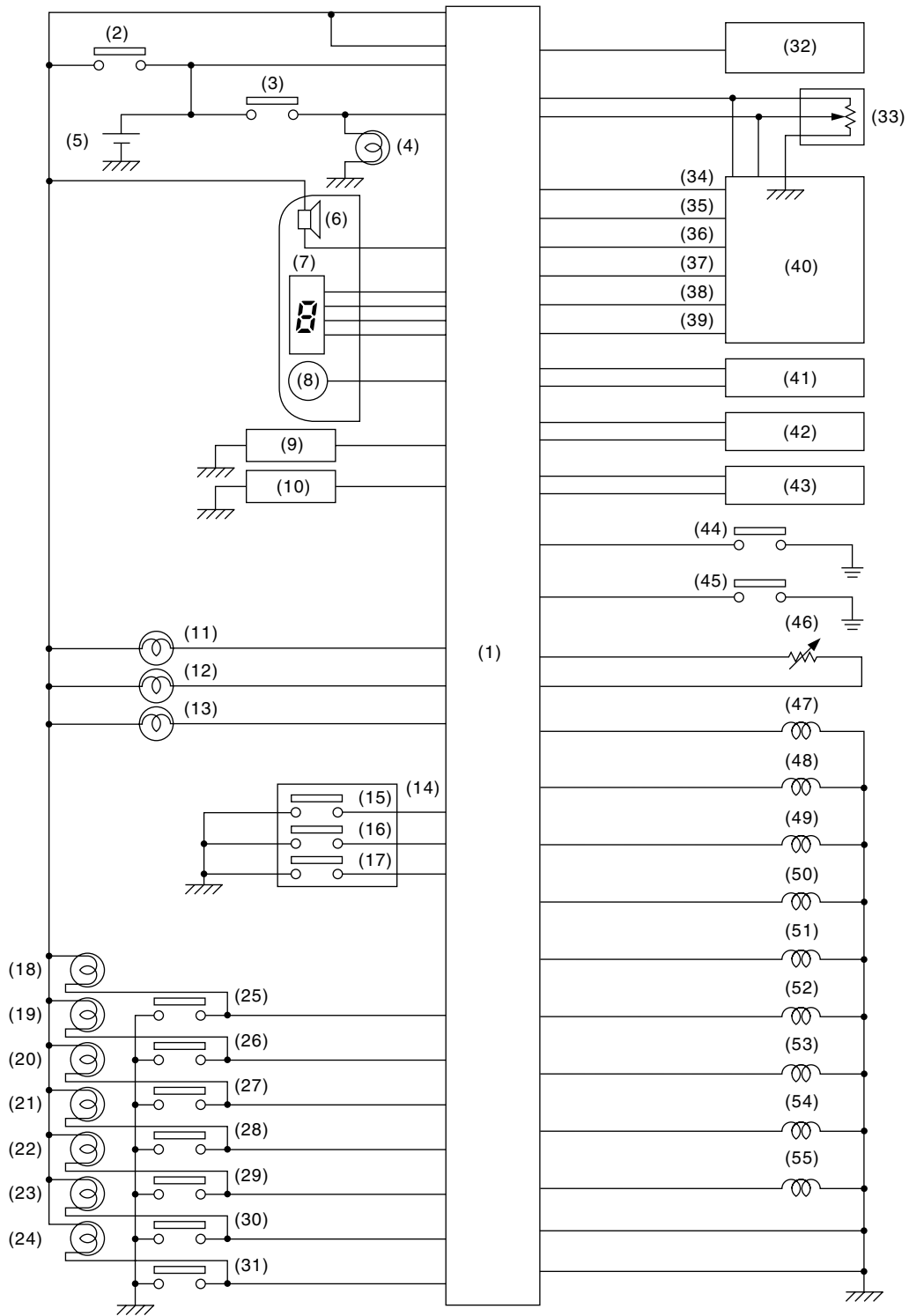
AUTOMATIC TRANSMISSION (DIAGNOSTICS)

- | | | |
|---|--------------------------------|--|
| (1) Transmission control module | (18) "P" range switch | (36) Torque control signal 1 |
| (2) Cruise control module | (19) "R" range indicator light | (37) Intake manifold pressure signal |
| (3) ABS control module | (20) "R" range switch | (38) AT diagnostics signal |
| (4) Ignition switch | (21) "N" range indicator light | (39) Engine control module |
| (5) Brake switch | (22) "N" range switch | (40) ATF temperature sensor |
| (6) Brake light | (23) "D" range indicator light | (41) Torque converter turbine speed sensor |
| (7) Battery | (24) "D" range switch | |
| (8) Combination meter (Speedometer circuit) | (25) "3" range indicator light | (42) Rear vehicle speed sensor |
| (9) AT OIL TEMP light | (26) "3" range switch | (43) Front vehicle speed sensor |
| (10) AWD indicator light | (27) "2" range indicator light | (44) Shift solenoid 1 |
| (11) POWER indicator light | (28) "2" range switch | (45) Shift solenoid 2 |
| (12) FWD switch | (29) "1" range indicator light | (46) 2-4 brake timing solenoid |
| (13) POWER switch | (30) "1" range switch | (47) Line pressure duty solenoid |
| (14) Kick-down switch | (31) Data link connector | (48) 2-4 brake duty solenoid |
| (15) Hold indicator light | (32) Throttle position sensor | (49) Lock-up duty solenoid |
| (16) HOLD switch | (33) Engine speed signal | (50) Low clutch timing solenoid |
| (17) "P" range indicator light | (34) Torque control cut signal | (51) Transfer duty solenoid |
| | (35) Torque control signal 2 | |

Transmission Control Module (TCM) I/O Signal

AUTOMATIC TRANSMISSION (DIAGNOSTICS)

2. WITH SPORT SHIFT



AT-01135

Transmission Control Module (TCM) I/O Signal

AUTOMATIC TRANSMISSION (DIAGNOSTICS)

(1) Transmission control module	(20) "N" range indicator light	(39) AT diagnosis signal
(2) Ignition switch	(21) "D" range indicator light	(40) Engine control module
(3) Brake switch	(22) "3" range indicator light	(41) Front vehicle speed sensor
(4) Brake light	(23) "2" range indicator light	(42) Rear vehicle speed sensor
(5) Battery	(24) "1" range indicator light	(43) Torque converter turbine speed sensor
(6) Buzzer	(25) "P" range switch	(44) POWER switch
(7) Gear position indicator	(26) "R" range switch	(45) HOLD switch
(8) Speedometer	(27) "N" range switch	(46) ATF temperature sensor
(9) Cruise control module	(28) "D" range switch	(47) Shift solenoid 1
(10) ABS control module	(29) "3" range switch	(48) Shift solenoid 2
(11) AT OIL TEMP warning light	(30) "2" range switch	(49) 2-4 brake timing solenoid
(12) POWER indicator light	(31) "1" range switch	(50) 2-4 brake duty solenoid
(13) HOLD indicator light	(32) Data link connector	(51) Line pressure duty solenoid
(14) Select lever	(33) Throttle position sensor	(52) Lock-up duty solenoid
(15) Manual mode switch	(34) Engine speed signal	(53) Low clutch timing solenoid
(16) Up switch	(35) Torque control cut signal	(54) Transfer duty solenoid
(17) Down switch	(36) Torque control signal 2	(55) SPORT shift solenoid
(18) "P" range indicator light	(37) Torque control signal 1	
(19) "R" range indicator light	(38) Intake manifold pressure signal	

Subaru Select Monitor

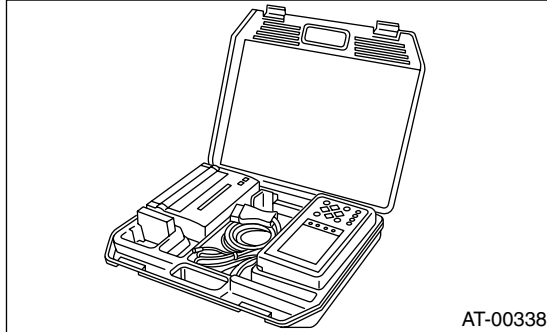
AUTOMATIC TRANSMISSION (DIAGNOSTICS)

6. Subaru Select Monitor

A: OPERATION

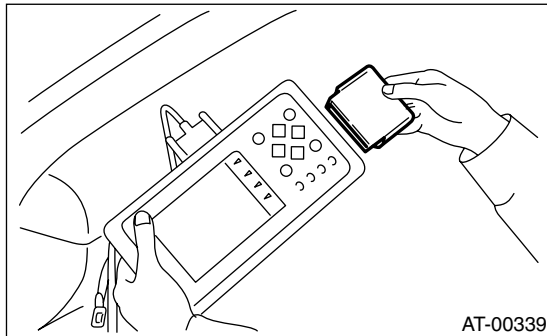
1. READ DTC

1) Prepare the Subaru Select Monitor kit.



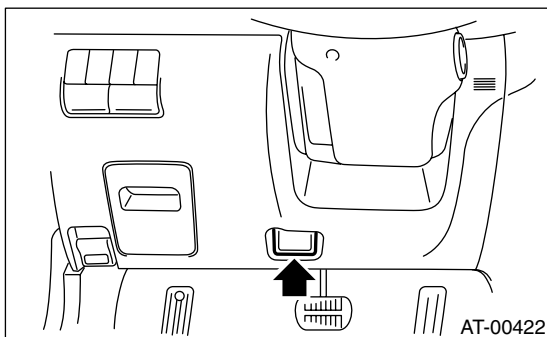
2) Connect the diagnosis cable to Subaru Select Monitor.

3) Insert the cartridge into Subaru Select Monitor.
<Ref. to 4AT(diag)-7, PREPARATION TOOL, General Description.>



4) Connect the Subaru Select Monitor to data link connector.

(1) Data link connector located in the lower portion of instrument panel (on driver's side).

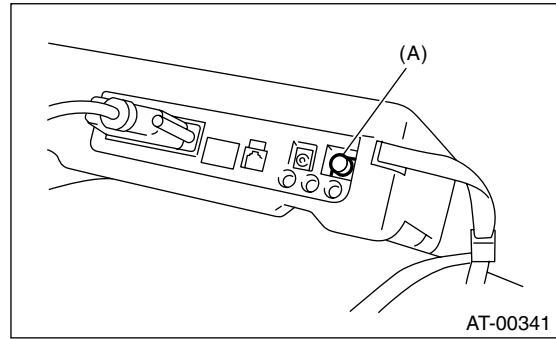


(2) Connect the diagnosis cable to data link connector.

NOTE:

Do not connect scan tools except for Subaru Select Monitor and OBD-II general scan tool.

5) Turn the ignition switch to ON (engine OFF) and Subaru Select Monitor switch to ON.



(A) POWER switch

6) On the «Main Menu» display screen, select the {Each System Check} and press the [YES] key.

7) On the «System Selection Menu» display screen, select the {Transmission Control System} and press the [YES] key.

8) Press the [YES] key after the information of transmission type is displayed.

9) On the «Transmission Diagnosis» display screen, select the {DTC Display} and press the [YES] key.

10) On the «DTC Display» display screen, select the {Memorized DTC} and press the [YES] key.

NOTE:

- For detailed operation procedure, refer to the SUBARU SELECT MONITOR OPERATION MANUAL.

- For details concerning the DTC, refer to the List of Diagnostic Trouble Code (DTC). <Ref. to 4AT(diag)-28, List of Diagnostic Trouble Code (DTC).>

2. READ CURRENT DATA

1) On the «Main Menu» display screen, select the {Each System Check} and press the [YES] key.

2) On the «System Selection Menu» display screen, select the {Transmission Control System} and press the [YES] key.

3) Press the [YES] key after the information of transmission type is displayed.

4) On the «Transmission Diagnosis» display screen, select the {Current Data Display & Save} and press the [YES] key.

5) On the «Data Display Menu» display screen, select the {Data Display} and press the [YES] key.

6) Using the scroll key, move the display screen up or down until desired data is shown.

- A list of the support data is shown in the following table.

Subaru Select Monitor

AUTOMATIC TRANSMISSION (DIAGNOSTICS)

Contents	Display	Unit of measure
Battery voltage	Battery Voltage	V
Rear vehicle speed sensor signal	Rear Wheel Speed	km/h or MPH
Front vehicle speed sensor signal	Front Wheel Speed	km/h or MPH
Engine speed signal	Engine Speed	rpm
Automatic transmission fluid temperature signal	ATF Temp.	°C or °F
Throttle position signal	Throttle Sensor Voltage	V
Gear position	Gear Position	—
Line pressure control duty ratio	Line Pressure Duty Ratio	%
Lock up clutch control duty ratio	Lock Up Duty Ratio	%
Transfer clutch control duty ratio (AWD model)	Transfer Duty Ratio	%
Power supply for throttle position sensor	Throttle Sensor Power	V
Torque converter turbine speed signal	Turbine Revolution Speed	rpm
2-4 brake timing pressure control duty ratio	Brake Clutch Duty Ratio	%
Mass air flow sensor signal (DOHC turbo model)	Air Flow Sensor Voltage	V
Intake manifold pressure sensor voltage (SOHC model)	Mani. Pressure Voltage	V
2 wheel drive switch signal (SOHC model)	FWD Switch	ON or OFF
Stop lamp switch signal	Stop Light Switch	ON or OFF
Shift up signal (with SPORT shift)	Up Switch	ON or OFF
Shift down signal (with SPORT shift)	Down Switch	ON or OFF
Manual mode signal (with SPORT shift)	Tip Mode Switch	ON or OFF
Anti lock brake system signal	ABS Signal	ON or OFF
Cruise control system signal	Cruise Control Signal	ON or OFF
Parking range signal	P Range Signal	ON or OFF
Neutral range signal	N Range Signal	ON or OFF
Reverse range signal	R Range Signal	ON or OFF
Drive range signal	D Range Signal	ON or OFF
3rd range signal	3rd Range Signal	ON or OFF
2nd range signal	2nd Range Signal	ON or OFF
1st range signal	1st Range Signal	ON or OFF
Shift control solenoid A	Shift Solenoid #1	ON or OFF
Shift control solenoid B	Shift Solenoid #2	ON or OFF
Torque control output signal #1	Torque Control Signal 1	ON or OFF
Torque control output signal #2	Torque Control Signal 2	ON or OFF
Torque control cut signal	Torque Control Cut Sig.	ON or OFF
2-4 brake timing control solenoid valve	2-4 Brake Timing Sol.	ON or OFF
Low clutch timing control solenoid valve	Low Clutch Timing Sol.	ON or OFF
SPORT shift solenoid valve (with SPORT shift)	Tip Solenoid	ON or OFF
Automatic transmission diagnosis indicator lamp	Diagnosis Lamp	ON or OFF
Power mode switch signal	Power Mode Switch	ON or OFF
Hold mode switch signal	Hold Mode Switch	ON or OFF
Kick down switch signal	Kick Down Switch	ON or OFF
Automatic transmission fluid temperature lamp	ATF Temperature Lamp	ON or OFF

NOTE:

For detailed operation procedure, refer to the SUBARU SELECT MONITOR OPERATION MANUAL.

3. CLEAR MEMORY MODE

- 1) On the «Main Menu» display screen, select the {2. Each System Check} and press the [YES] key.
- 2) On the «System Selection Menu» display screen, select the {Transmission Control System} and press the [YES] key.
- 3) Press the [YES] key after the information of transmission type is displayed.
- 4) On the «Transmission Diagnosis» display screen, select the {Clear Memory} and press the [YES] key.
- 5) When the “Done” and “Turn Ignition Switch OFF” are shown on display screen, turn the Subaru Select Monitor and ignition switch to OFF.

NOTE:

For detailed operation procedure, refer to the SUBARU SELECT MONITOR OPERATION MANUAL.

Read Diagnostic Trouble Code (DTC)

AUTOMATIC TRANSMISSION (DIAGNOSTICS)

7. Read Diagnostic Trouble Code (DTC)

A: OPERATION

Refer to Subaru Select Monitor for information about how to obtain and understand DTC. <Ref. to 4AT(diag)-21, OPERATION, Subaru Select Monitor.>

8. Inspection Mode

A: OPERATION

Shift the select lever to D range, and drive continuously for 10 seconds or more at 60 km/h (37 MPH).

WARNING:

Observe the road traffic law.

9. Clear Memory Mode

A: OPERATION

1. WITHOUT SUBARU SELECT MONITOR

Current DTC shown on display are cleared by turning the ignition switch to OFF after conducting on-board diagnostics operation. Previous DTC, however, cannot be cleared since they are stored in the TCM memory which is operating on back-up power supply. These DTC can be cleared by removing the specified TCM connector for at least two minutes.

CLEAR MEMORY:

Remove the TCM connector (B56) for at least two minutes.

- TCM connector (B56) is located in the line to memory back-up power supply of TCM. Removal of this connector clears the previous DTC stored in TCM memory.
- Be sure to remove TCM connector (B56) for at least the specified length of time. Otherwise, the DTC may not be cleared.

2. WITH SUBARU SELECT MONITOR

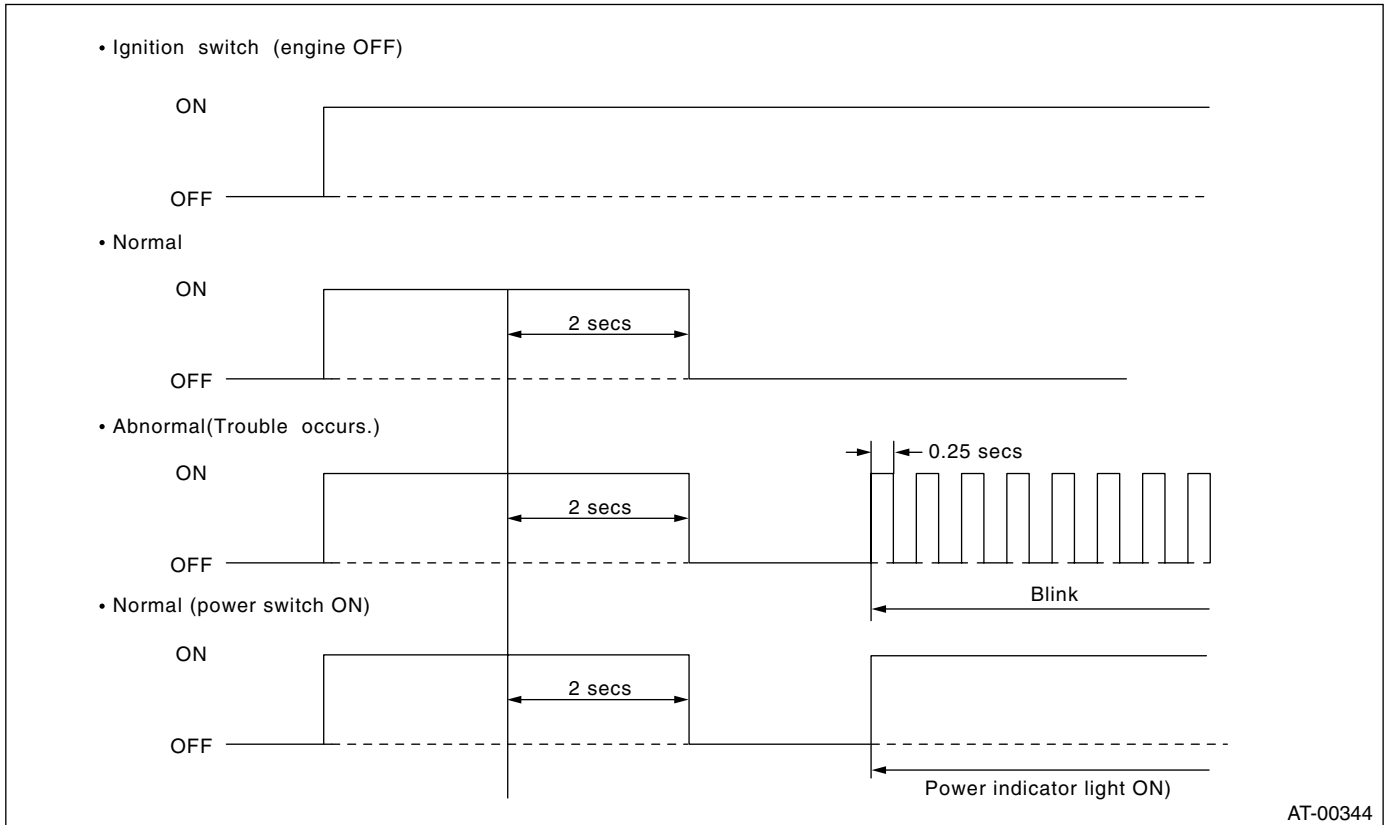
Refer to Subaru Select Monitor for information about how to clear DTC.

<Ref. to 4AT(diag)-23, CLEAR MEMORY MODE, OPERATION, Subaru Select Monitor.>

10.POWER Indicator Light Display

A: INSPECTION

When any on-board diagnostics item is malfunctioning, the display on POWER indicator light blinks from the time malfunction is detected after starting the engine until ignition switch is turned to OFF. The malfunctioning part or unit can be determined by a DTC during on-board diagnostics operation. Problems which occurred previously can also be identified through the memory function. If the POWER indicator does not show a problem (although a problem is occurring), the problem can be determined by checking the performance characteristics of each sensor using select monitor. The indicator signal is as shown in the figure.



AT-00344

List of Diagnostic Trouble Code (DTC)

AUTOMATIC TRANSMISSION (DIAGNOSTICS)

11. List of Diagnostic Trouble Code (DTC)

A: LIST

DTC	Item	Content of diagnosis	Index
11	Engine speed signal	Detects open or shorted input signal circuit.	<Ref. to 4AT(diag)-40, DTC 11 ENGINE SPEED SIGNAL, Diagnostic Procedure with Diagnostic Trouble Code (DTC).>
23	Mass air flow signal (DOHC turbo model)	Detects open or shorted input signal circuit.	<Ref. to 4AT(diag)-42, DTC 23 MASS AIR FLOW SIGNAL (TURBO MODEL), Diagnostic Procedure with Diagnostic Trouble Code (DTC).>
27	ATF temperature sensor	Detects open or shorted input signal circuit.	<Ref. to 4AT(diag)-44, DTC 27 ATF TEMPERATURE SENSOR, Diagnostic Procedure with Diagnostic Trouble Code (DTC).>
31	Throttle position sensor	Detects open or shorted input signal circuit.	<Ref. to 4AT(diag)-47, DTC 31 THROTTLE POSITION SENSOR, Diagnostic Procedure with Diagnostic Trouble Code (DTC).>
33	Front vehicle speed sensor	Detects open or shorted input signal circuit.	<Ref. to 4AT(diag)-52, DTC 33 FRONT VEHICLE SPEED SENSOR, Diagnostic Procedure with Diagnostic Trouble Code (DTC).>
36	Torque converter turbine speed sensor	Detects open or shorted input signal circuit.	<Ref. to 4AT(diag)-56, DTC 36 TORQUE CONVERTER TURBINE SPEED SENSOR, Diagnostic Procedure with Diagnostic Trouble Code (DTC).>
38	Torque control signal	Detects open or shorted input signal circuit.	<Ref. to 4AT(diag)-59, DTC 38 TORQUE CONTROL SIGNAL, Diagnostic Procedure with Diagnostic Trouble Code (DTC).>
45	Intake manifold pressure signal (SOHC model)	Detects open or shorted input signal circuit.	<Ref. to 4AT(diag)-61, DTC 45 INTAKE MANIFOLD PRESSURE SIGNAL (NON-TURBO MODEL), Diagnostic Procedure with Diagnostic Trouble Code (DTC).>
71	Shift solenoid 1	Detects open or shorted output signal circuit.	<Ref. to 4AT(diag)-63, DTC 71 SHIFT SOLENOID 1, Diagnostic Procedure with Diagnostic Trouble Code (DTC).>
72	Shift solenoid 2	Detects open or shorted output signal circuit.	<Ref. to 4AT(diag)-66, DTC 72 SHIFT SOLENOID 2, Diagnostic Procedure with Diagnostic Trouble Code (DTC).>
73	Low clutch timing solenoid	Detects open or shorted output signal circuit.	<Ref. to 4AT(diag)-69, DTC 73 LOW CLUTCH TIMING SOLENOID, Diagnostic Procedure with Diagnostic Trouble Code (DTC).>
74	2-4 brake timing solenoid	Detects open or shorted output signal circuit.	<Ref. to 4AT(diag)-72, DTC 74 2-4 BRAKE TIMING SOLENOID, Diagnostic Procedure with Diagnostic Trouble Code (DTC).>
75	Line pressure duty solenoid	Detects open or shorted output signal circuit.	<Ref. to 4AT(diag)-75, DTC 75 LINE PRESSURE DUTY SOLENOID, Diagnostic Procedure with Diagnostic Trouble Code (DTC).>
76	2-4 brake duty solenoid	Detects open or shorted output signal circuit.	<Ref. to 4AT(diag)-78, DTC 76 2-4 BRAKE DUTY SOLENOID, Diagnostic Procedure with Diagnostic Trouble Code (DTC).>
77	Lock-up duty solenoid	Detects open or shorted output signal circuit.	<Ref. to 4AT(diag)-81, DTC 77 LOCK-UP DUTY SOLENOID, Diagnostic Procedure with Diagnostic Trouble Code (DTC).>
78	SPORT shift solenoid	Detects open or shorted output signal circuit.	<Ref. to 4AT(diag)-85, DTC 78 SPORT SHIFT SOLENOID, Diagnostic Procedure with Diagnostic Trouble Code (DTC).>

List of Diagnostic Trouble Code (DTC)

AUTOMATIC TRANSMISSION (DIAGNOSTICS)

DTC	Item	Content of diagnosis	Index
79	Transfer duty solenoid	Detects open or shorted output signal circuit.	<Ref. to 4AT(diag)-89, DTC 79 TRANSFER DUTY SOLENOID, Diagnostic Procedure with Diagnostic Trouble Code (DTC).>
93	Rear vehicle speed sensor	Detects open or shorted input signal circuit.	<Ref. to 4AT(diag)-92, DTC 93 REAR VEHICLE SPEED SENSOR, Diagnostic Procedure with Diagnostic Trouble Code (DTC).>

Diagnostic Procedure for POWER Indicator Light

AUTOMATIC TRANSMISSION (DIAGNOSTICS)

12.Diagnostic Procedure for POWER Indicator Light

A: POWER INDICATOR LIGHT DOES NOT COME ON OR GO OFF

DIAGNOSIS:

The POWER Indicator light circuit is open or shorted.

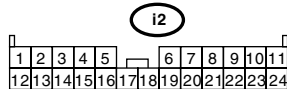
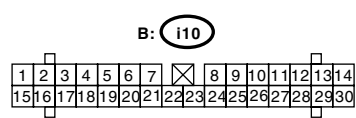
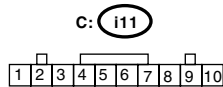
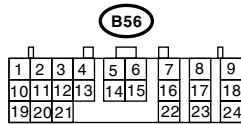
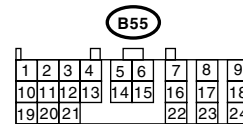
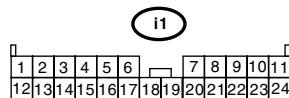
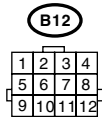
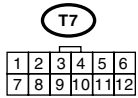
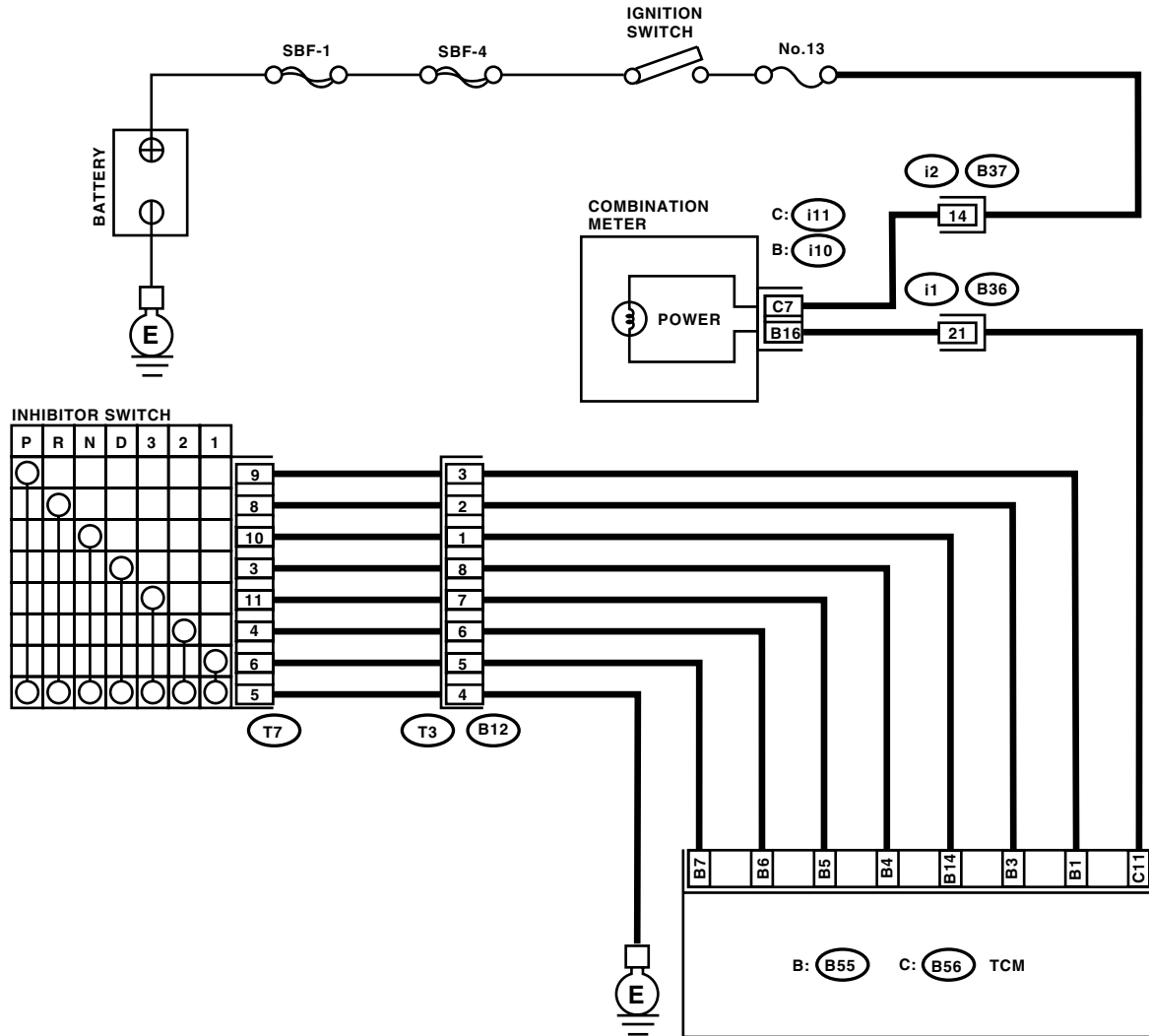
TROUBLE SYMPTOM:

- When the ignition switch is turned to ON (engine OFF), POWER indicator light does not illuminate.
- When the on-board diagnostics is performed, POWER indicator light remains illuminated.

Diagnostic Procedure for POWER Indicator Light

AUTOMATIC TRANSMISSION (DIAGNOSTICS)

WIRING DIAGRAM: LHD MODEL

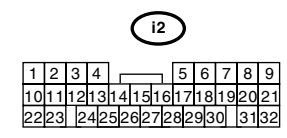
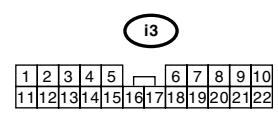
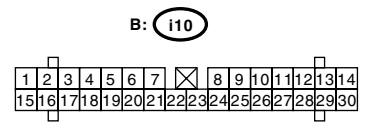
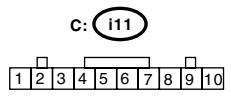
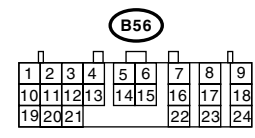
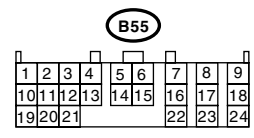
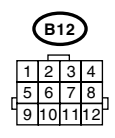
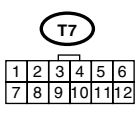
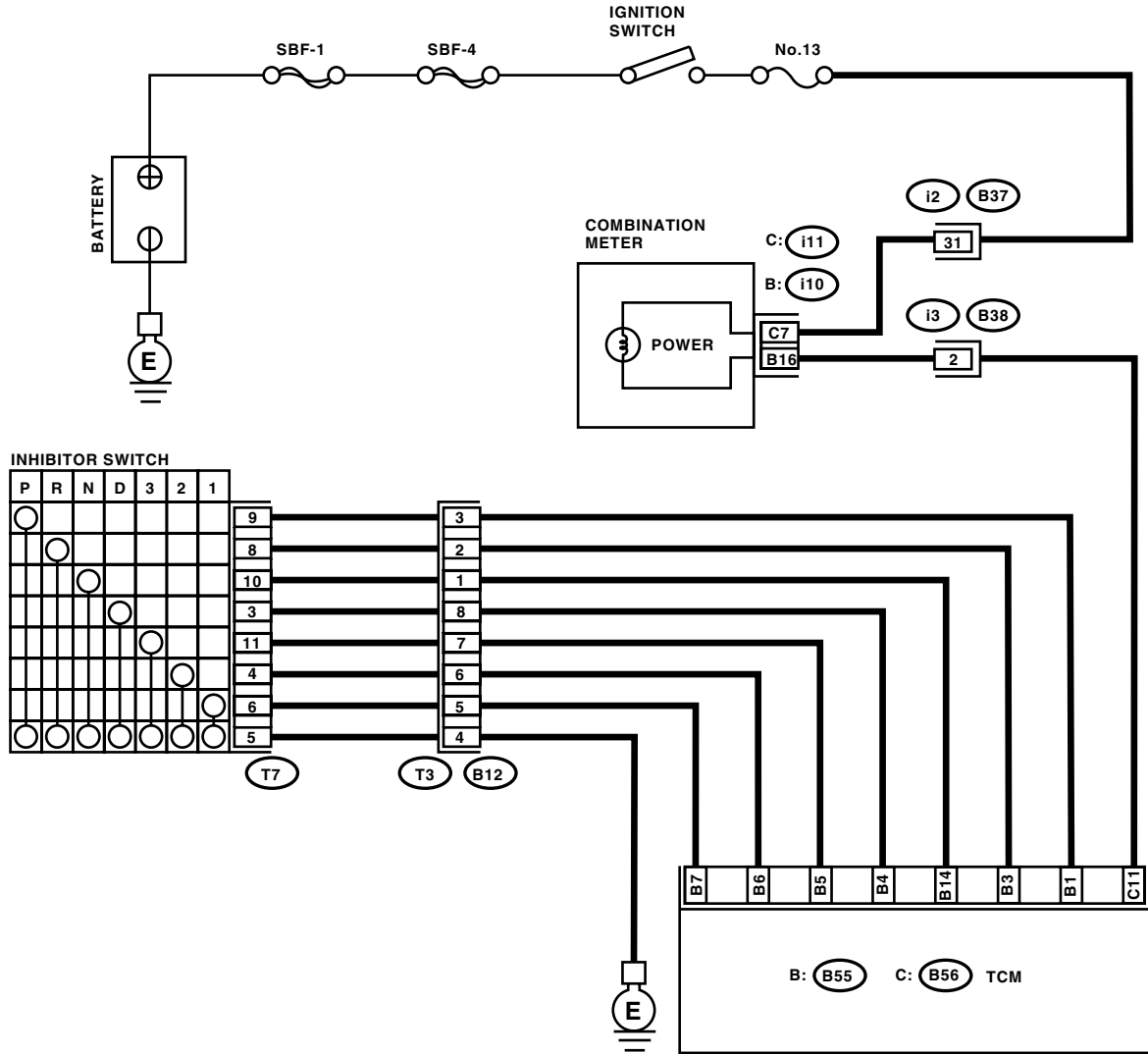


AT-01136

Diagnostic Procedure for POWER Indicator Light

AUTOMATIC TRANSMISSION (DIAGNOSTICS)

RHD MODEL



AT-01137

Diagnostic Procedure for POWER Indicator Light

AUTOMATIC TRANSMISSION (DIAGNOSTICS)

Step	Check	Yes	No
1 CHECK POWER INDICATOR LIGHT. Turn the ignition switch to ON (engine OFF).	Does the POWER indicator light illuminate?	Go to step 3.	Go to step 2.
2 CHECK POWER INDICATOR LIGHT. 1) Turn the ignition switch to OFF. 2) Remove the combination meter. 3) Remove the POWER indicator light bulb from combination meter.	Is the POWER indicator light bulb OK?	Go to step 4.	Replace the POWER indicator light bulb.
3 CHECK POWER INDICATOR LIGHT. Perform "Read Diagnostic Trouble Code (DTC)". <Ref. to 4AT(diag)-24, Read Diagnostic Trouble Code (DTC).>	Does the POWER indicator light blink?	A temporary poor contact of the connector or harness may be the cause. Repair the harness or connector in TCM, inhibitor switch and combination meter.	Go to step 9.
4 CHECK FUSE (No. 13). Remove the fuse (No. 13).	Is the fuse (No. 13) blown out?	Replace the fuse (No. 13). If replaced fuse (No. 13) is blown out easily, repair short circuit in harness between fuse (No. 13) and combination meter.	Go to step 5.
5 CHECK HARNESS CONNECTOR BETWEEN COMBINATION METER AND IGNITION SWITCH. 1) Turn the ignition switch to ON (engine OFF). 2) Measure the voltage between combination meter connector and chassis ground. <i>Connector & terminal (i11) No. 7 (+) — Chassis ground (-):</i>	Is the voltage more than 9 V?	Go to step 6.	Repair the open circuit in harness between combination meter and battery.
6 CHECK COMBINATION METER. Measure the voltage between combination meter connector and chassis ground. <i>Connector & terminal (i10) No. 16 (+) — Chassis ground (-):</i>	Is the voltage less than 9 V?	Repair the combination meter. <Ref. to IDI-11, Combination Meter Assembly.>	Go to step 7.
7 CHECK OPEN CIRCUIT OF HARNESS. 1) Turn the ignition switch to OFF. 2) Disconnect the connector from combination meter connector. 3) Measure the resistance of harness between combination meter and TCM. <i>Connector & terminal (B56) No. 11 — (i10) No. 16:</i>	Is the resistance less than 1 Ω ?	Go to step 8.	Repair the open circuit in harness between TCM and combination meter, and poor contact in coupling connector.
8 CHECK INPUT SIGNAL FOR TCM. 1) Connect the connector to TCM and combination meter. 2) Turn the ignition switch to ON (engine OFF). 3) Measure the voltage between TCM connector and chassis ground. <i>Connector & terminal (B56) No. 11 (+) — Chassis ground (-):</i>	Is the voltage less than 1 V?	Even if the POWER indicator lights up, the circuit has returned to a normal condition at this time. A temporary poor contact of the connector or harness may be the cause. Repair the harness or connector in TCM.	Replace the TCM. <Ref. to 4AT-74, Transmission Control Module (TCM).>

Diagnostic Procedure for POWER Indicator Light

AUTOMATIC TRANSMISSION (DIAGNOSTICS)

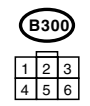
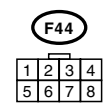
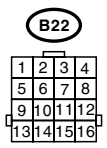
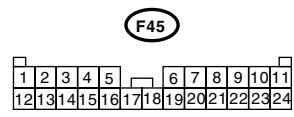
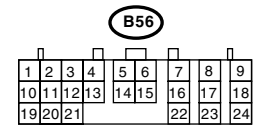
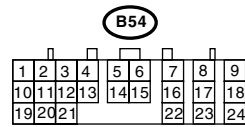
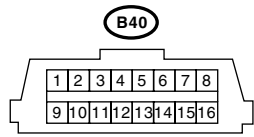
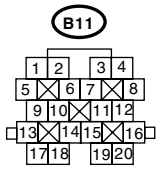
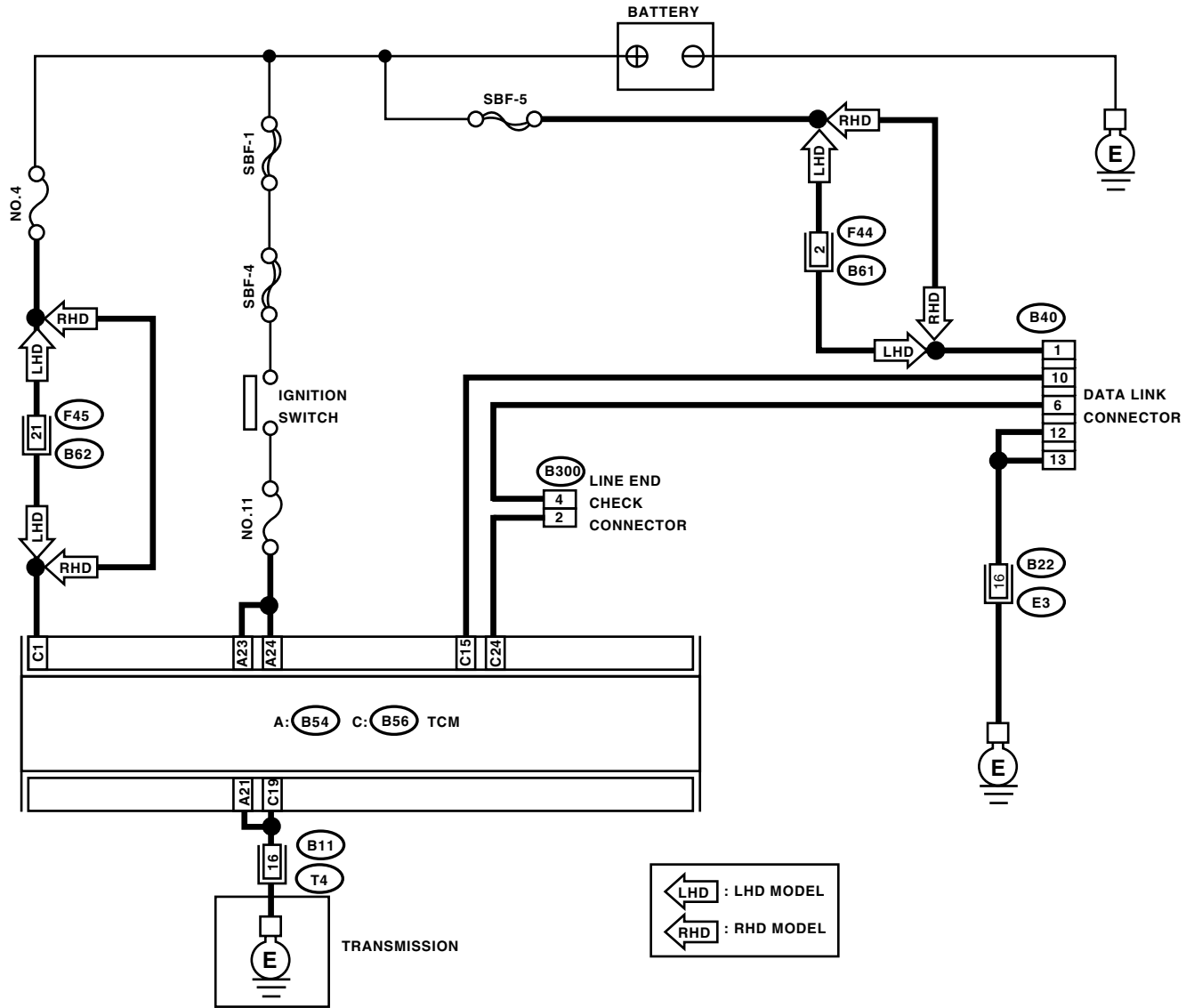
Step	Check	Yes	No
9 CHECK INHIBITOR SWITCH. 1)Connect the Subaru Select Monitor to data link connector. 2)Turn the ignition switch to ON. 3)Turn the Subaru Select Monitor to ON. 4)Read the data of range switch using Subaru Select Monitor. •Range switch is indicated in ON ↔ OFF.	When each range is selected, does the LED of Subaru Select Monitor light up?	Go to step 10 .	Check the inhibitor switch circuit. <Ref. to 4AT(diag)-107, CHECK INHIBITOR SWITCH, Diagnostic Procedure without Diagnostic Trouble Code (DTC).>
10 CHECK SHORT CIRCUIT OF HARNESS. 1)Disconnect the connector from TCM. 2)Remove the combination meter. 3)Disconnect the connector from combination meter. 4)Measure the resistance of harness connector between TCM and chassis ground. Connector & terminal (B56) No. 11 — Chassis ground:	Is the resistance less than 1 MΩ?	Check the TCM power supply and ground line. <Ref. to 4AT(diag)-35, CHECK POWER SUPPLY AND GROUND LINE, Diagnostic Procedure for POWER Indicator Light.>	Repair the short circuit in harness between combination meter connector and TCM connector.

Diagnostic Procedure for POWER Indicator Light

AUTOMATIC TRANSMISSION (DIAGNOSTICS)

B: CHECK POWER SUPPLY AND GROUND LINE

WIRING DIAGRAM:



AT-01138

Diagnostic Procedure for POWER Indicator Light

AUTOMATIC TRANSMISSION (DIAGNOSTICS)

Step	Check	Yes	No
1	CHECK BATTERY TERMINAL. Turn the ignition switch to OFF.	Is there poor contact at battery terminal?	Repair or tighten the battery terminal. Go to step 2.
2	CHECK POWER SUPPLY OF TCM. 1)Disconnect the connector from TCM. 2)Turn the ignition switch to ON. 3)Measure the voltage between TCM connector and chassis ground. Connector & terminal (B56) No. 1 (+) — Chassis ground (-):	Is the voltage 10 — 13 V?	Go to step 4. Go to step 3.
3	CHECK FUSE (No. 4). Remove the fuse (No. 4).	Is the fuse (No. 4) blown out?	Replace the fuse (No. 4). If replaced fuse (No. 4) has blown out easily, repair short circuit in harness between fuse (No. 4) and TCM. Repair the open circuit in harness between fuse (No. 4) and TCM, or fuse (No. 4) and battery, and poor contact in coupling connector.
4	CHECK IGNITION POWER SUPPLY CIRCUIT. 1)Turn the ignition switch to ON (engine OFF). 2)Measure the ignition power supply voltage between TCM connector and chassis ground. Connector & terminal (B54) No. 23 (+) — Chassis ground (-): (B54) No. 24 (+) — Chassis ground (-):	Is the voltage 10 — 13 V?	Go to step 6. Go to step 5.
5	CHECK FUSE (No. 11). Remove the fuse (No. 11).	Is the fuse (No. 11) blown out?	Replace the fuse (No. 11). If replaced fuse (No. 11) has blown out easily, repair short circuit in harness between fuse (No. 11) and TCM. Repair the open circuit in harness between fuse (No. 11) and TCM, or fuse (No. 11) and battery, and poor contact in coupling connector.
6	CHECK HARNESS CONNECTOR BETWEEN TCM AND TRANSMISSION. 1)Turn the ignition switch to OFF. 2)Disconnect the connector from TCM and transmission. 3)Measure the resistance of harness between TCM and transmission connector. Connector & terminal (B56) No. 19 — (B11) No. 16: (B54) No. 21 — (B11) No. 16:	Is the resistance less than 1 Ω ?	Go to step 7. Repair the open circuit in harness between TCM, transmission harness connector, and poor contact in coupling connector.
7	CHECK HARNESS CONNECTOR BETWEEN TRANSMISSION AND TRANSMISSION GROUND. Measure the resistance of harness between transmission and transmission ground. Connector & terminal (T4) No. 16 — Transmission ground:	Is the resistance less than 1 Ω ?	Go to step 8. Repair the open circuit in harness between transmission and transmission ground.
8	CHECK POOR CONTACT IN CONNECTORS.	Is there poor contact in control module power supply and ground line?	Repair the connector. Replace the TCM. <Ref. to 4AT-74, Transmission Control Module (TCM).>

Diagnostic Procedure for Select Monitor Communication

AUTOMATIC TRANSMISSION (DIAGNOSTICS)

13. Diagnostic Procedure for Select Monitor Communication

A: COMMUNICATION FOR INITIALIZING IMPOSSIBLE

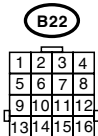
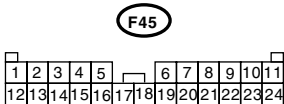
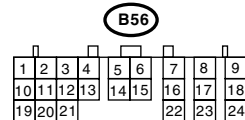
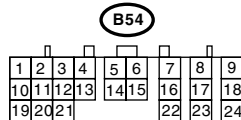
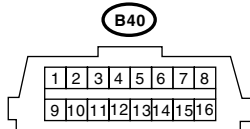
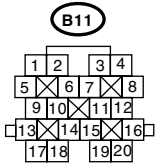
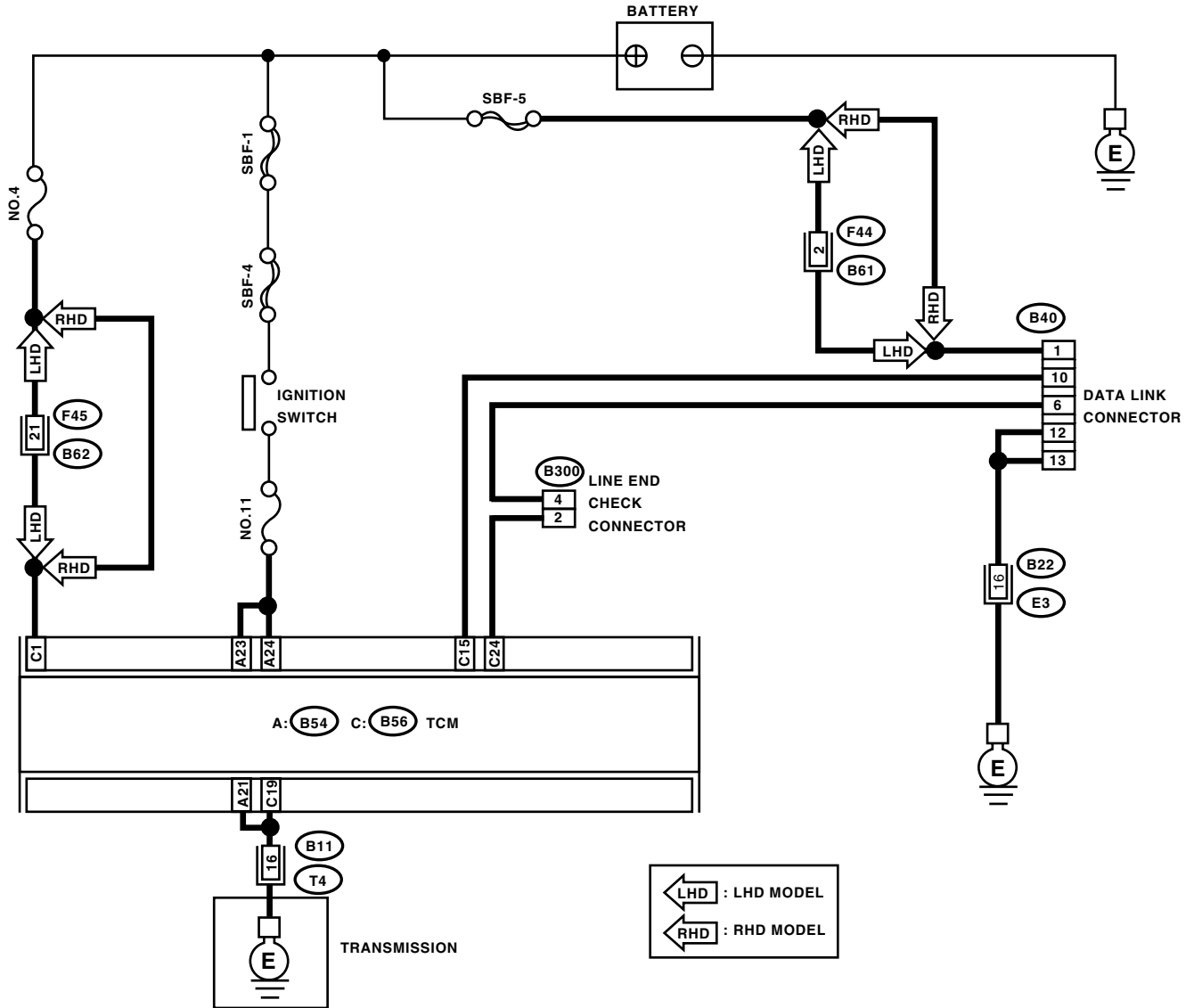
DIAGNOSIS:

Faulty harness connector

TROUBLE SYMPTOM:

Select monitor communication failure

WIRING DIAGRAM:



AT-01138

Diagnostic Procedure for Select Monitor Communication

AUTOMATIC TRANSMISSION (DIAGNOSTICS)

Step	Check	Yes	No
1 CHECK SUBARU SELECT MONITOR POWER SUPPLY CIRCUIT. Measure the voltage between data link connector and chassis ground. <i>Connector & terminal</i> <i>(B40) No. 1 (+) — Chassis ground (-):</i>	Is the voltage more than 10 V?	Go to step 2.	Repair the harness and connector between battery and data link connector, and poor contact in coupling connector.
2 CHECK SUBARU SELECT MONITOR GROUND CIRCUIT. Measure the resistance of harness between data link connector and chassis ground. <i>Connector & terminal</i> <i>(B40) No. 12 — Chassis ground:</i> <i>(B40) No. 13 — Chassis ground:</i>	Is the resistance less than 1 Ω ?	Go to step 3.	Repair the open circuit in harness between data link connector and ground terminal, and poor contact in coupling connector.
3 CHECK COMMUNICATION OF SELECT MONITOR. 1) Turn the ignition switch to ON. 2) Using the Subaru Select Monitor, check whether communication to engine systems can be executed normally.	Are the name of system displayed on Subaru Select Monitor?	Go to step 8.	Go to step 4.
4 CHECK COMMUNICATION OF SELECT MONITOR. 1) Turn the ignition switch to OFF. 2) Disconnect the TCM connector. 3) Check whether communication to engine systems can be executed normally.	Are the name of system displayed on Subaru Select Monitor?	Go to step 6.	Go to step 5.
5 CHECK COMMUNICATION OF SELECT MONITOR. 1) Turn the ignition switch to OFF. 2) Connect the TCM connector. 3) Disconnect the ECM connector. 4) Check whether communication to transmission systems can be executed normally.	Are the name of system displayed on Subaru Select Monitor?	Inspect the ECM.	Go to step 6.
6 CHECK HARNESS CONNECTOR BETWEEN EACH CONTROL MODULE AND DATA LINK CONNECTOR. 1) Turn the ignition switch to OFF. 2) Disconnect the TCM and ECM connectors. 3) Measure the resistance between data link connector and chassis ground. <i>Connector & terminal</i> <i>(B40) No. 10 — Chassis ground:</i> <i>(B40) No. 6 — Chassis ground:</i>	Is the resistance more than 1 M Ω ?	Go to step 7.	Repair the harness and connector between each control module and data link connector.
7 CHECK OUTPUT SIGNAL FOR TCM. 1) Turn the ignition switch to ON. 2) Measure the voltage between TCM and chassis ground. <i>Connector & terminal</i> <i>(B40) No. 10 (+) — Chassis ground (-):</i>	Is the voltage more than 1 V?	Repair the harness and connector between each control module and data link connector.	Go to step 8.
8 CHECK HARNESS/CONNECTOR BETWEEN TCM AND DATA LINK CONNECTOR. Measure the resistance between TCM connector and data link connector. <i>Connector & terminal</i> <i>(B56) No. 15 — (B40) No. 10:</i>	Is the resistance less than 0.5 Ω ?	Go to step 9.	Repair the harness and connector between TCM and data link connector.

Diagnostic Procedure for Select Monitor Communication

AUTOMATIC TRANSMISSION (DIAGNOSTICS)

Step	Check	Yes	No
9 CHECK HARNESS/CONNECTOR BETWEEN TCM AND DATA LINK CONNECTOR. Measure the resistance between TCM and data link connector. Connector & terminal (B56) No. 24 — (B40) No. 6:	Is the resistance more than 1 M Ω ?	Go to step 10 .	Repair the harness and connector between TCM and data link connector.
10 CHECK INSTALLATION OF TCM CONNECTOR. Turn the ignition switch to OFF.	Is the TCM connector inserted into TCM?	Go to step 11 .	Insert the TCM connector into TCM.
11 CHECK POOR CONTACT IN CONNECTORS.	Is there poor contact in control module and data link connector?	Repair the poor contact.	Replace the TCM. <Ref. to 4AT-74, Transmission Control Module (TCM).>

Diagnostic Procedure with Diagnostic Trouble Code (DTC)

AUTOMATIC TRANSMISSION (DIAGNOSTICS)

14. Diagnostic Procedure with Diagnostic Trouble Code (DTC)

A: DTC 11 ENGINE SPEED SIGNAL

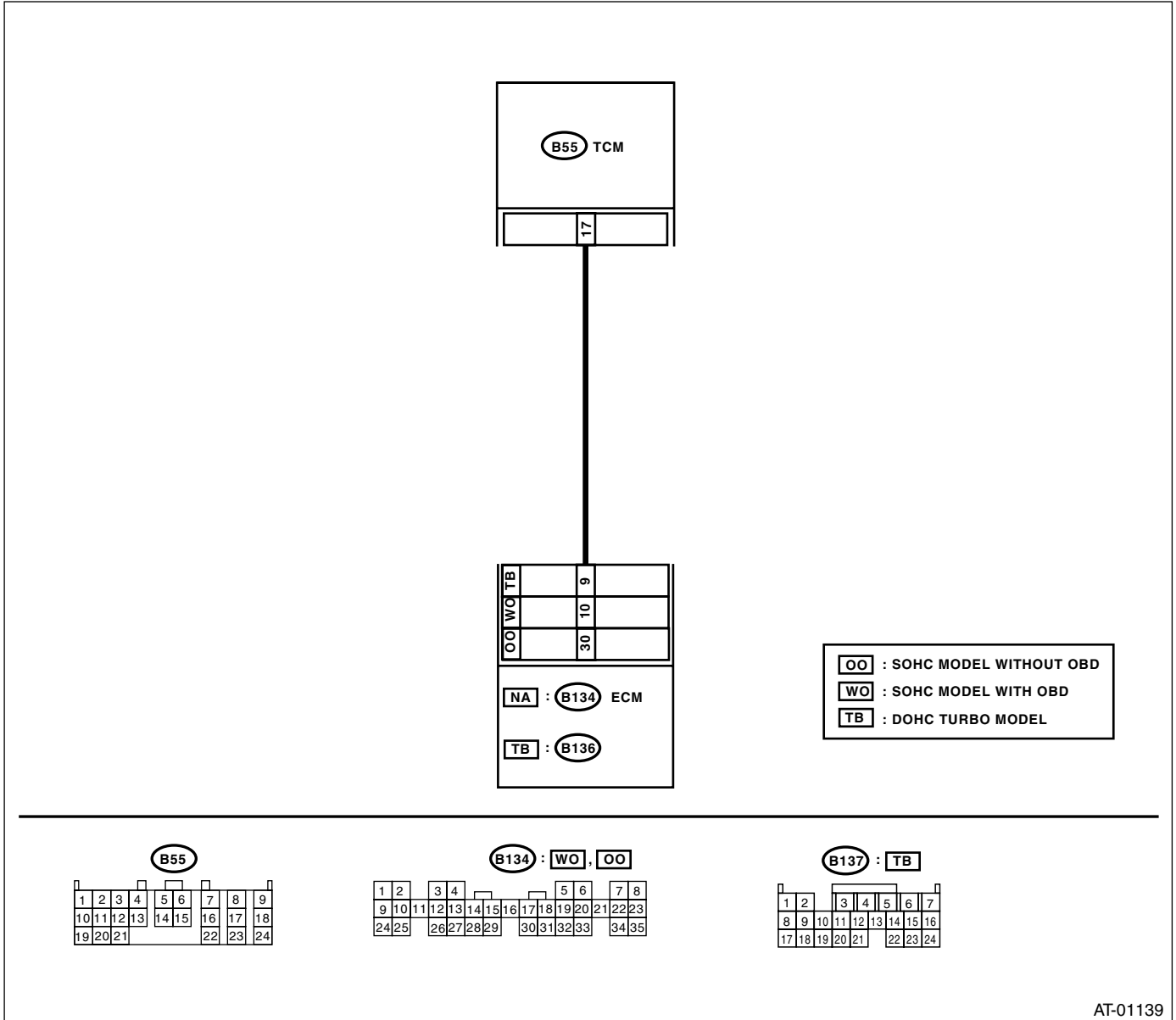
DIAGNOSIS:

The engine speed input signal circuit is open or shorted.

TROUBLE SYMPTOM:

- No lock-up (after engine warm-up).
- The POWER indicator light remains on when vehicle speed is "0".

WIRING DIAGRAM:



AT-01139

Diagnostic Procedure with Diagnostic Trouble Code (DTC)

AUTOMATIC TRANSMISSION (DIAGNOSTICS)

Step	Check	Yes	No
1 CHECK HARNESS CONNECTOR BETWEEN TCM AND ECM. 1) Turn the ignition switch to OFF. 2) Disconnect the connectors from TCM and ECM. 3) Measure the resistance of harness between TCM and ECM connector. <i>Connector & terminal</i> SOHC MODEL WITHOUT OBD (B55) No. 17 — (B134) No. 30: SOHC MODEL WITH OBD (B55) No. 17 — (B134) No. 10: DOHC TURBO MODEL (B55) No. 17 — (B136) No. 9:	Is the resistance less than 1 Ω ?	Go to step 2.	Repair the open circuit in harness between TCM and ECM connector.
2 CHECK HARNESS CONNECTOR BETWEEN TCM AND ECM. Measure the resistance of harness between TCM connector and chassis ground. <i>Connector & terminal</i> (B55) No. 17 — Chassis ground:	Is the resistance more than 1 M Ω ?	Go to step 3.	Repair the short circuit in harness between TCM and ECM connector.
3 PREPARE SUBARU SELECT MONITOR.	Do you have a Subaru Select Monitor?	Go to step 5.	Go to step 4.
4 CHECK INPUT SIGNAL FOR TCM. 1) Connect the connectors to TCM and ECM. 2) Turn the ignition switch to ON (engine OFF). 3) Measure the voltage between TCM connector and chassis ground. <i>Connector & terminal</i> (B55) No. 17 (+) — Chassis ground (-):	Is the voltage more than 10.5 V?	Even if the POWER indicator blinks, the circuit has returned to a normal condition at this time. A temporary poor contact of the connector or harness may be the cause. Repair the harness or connector in TCM and ECM.	Go to step 6.
5 CHECK INPUT SIGNAL FOR TCM USING SUBARU SELECT MONITOR. 1) Connect the connectors to TCM and ECM. 2) Connect the Subaru Select Monitor to data link connector. 3) Start the engine and turn Subaru Select Monitor switch to ON. 4) Idle the engine. 5) Read the data of engine speed using Subaru Select Monitor. • Display shows the engine speed signal value sent from ECM.	Is the revolution value same as tachometer reading shown on combination meter?	Even if the POWER indicator blinks, the circuit has returned to a normal condition at this time. A temporary poor contact of the connector or harness may be the cause. Repair the harness or connector in TCM and ECM.	Go to step 6.
6 CHECK POOR CONTACT.	Is there poor contact in engine speed signal circuit?	Repair the poor contact.	Go to step 7.
7 CONFIRM DTC 11.	Replace the ECM with a new one. Does the DTC appear again, after memory has been cleared?	Replace the TCM. <Ref. to 4AT-74, Transmission Control Module (TCM).>	Replace the ECM.

Diagnostic Procedure with Diagnostic Trouble Code (DTC)

AUTOMATIC TRANSMISSION (DIAGNOSTICS)

B: DTC 23 MASS AIR FLOW SIGNAL (TURBO MODEL)

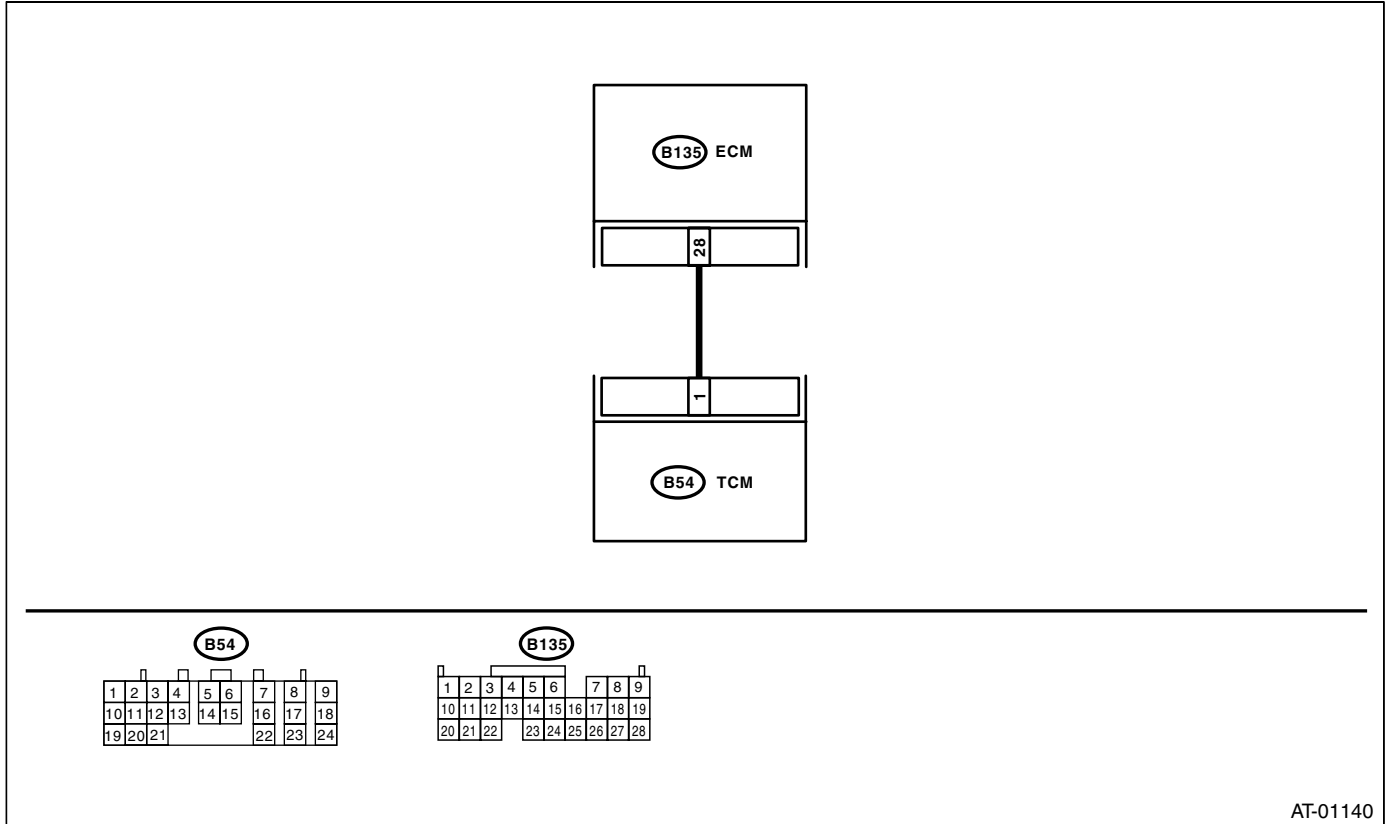
DIAGNOSIS:

The input signal circuit of TCM from ECM is open or shorted.

TROUBLE SYMPTOM:

Excessive shift shock.

WIRING DIAGRAM:



Step	Check	Yes	No
1	CHECK ENGINE GROUND TERMINALS AND GROUND CIRCUIT OF ECM. <Ref. to 4AT(diag)-47, DTC 31 THROTTLE POSITION SENSOR, Diagnostic Procedure with Diagnostic Trouble Code (DTC).>	Is there any trouble?	Repair the ground terminal and/or ground circuit of ECM. Go to step 2.
2	CHECK HARNESS CONNECTOR BETWEEN TCM AND ECM. 1) Turn the ignition switch to OFF. 2) Disconnect the connectors from TCM and ECM. 3) Measure the resistance of harness between TCM and ECM connector. Connector & terminal (B54) No. 1 — (B135) No. 28:	Is the resistance less than 1 Ω?	Go to step 3. Repair the open circuit in harness between TCM and ECM connector.
3	CHECK HARNESS CONNECTOR BETWEEN TCM AND ECM. Measure the resistance of harness between TCM connector and chassis ground. Connector & terminal (B54) No. 1 — Chassis ground:	Is the resistance more than 1 MΩ?	Go to step 4. Repair the short circuit in harness between TCM and ECM connector.
4	PREPARE SUBARU SELECT MONITOR.	Do you have a Subaru Select Monitor?	Go to step 6. Go to step 5.

Diagnostic Procedure with Diagnostic Trouble Code (DTC)

AUTOMATIC TRANSMISSION (DIAGNOSTICS)

Step	Check	Yes	No
<p>5 CHECK INPUT SIGNAL FOR TCM. 1)Connect the connectors to TCM and ECM. 2)Start the engine and warm-up the transmission until ATF temperature is above 80°C (176°F). NOTE: If ambient temperature is below 0°C (32°F), drive the vehicle until ATF reaches its operating temperature. 3)Idle the engine. 4)Measure the voltage between TCM connector and chassis ground. <i>Connector & terminal</i> <i>(B54) No. 1 (+) — Chassis ground (-):</i></p>	<p>Is the voltage 0.9 — 1.4 V?</p>	<p>Even if the POWER indicator blinks, the circuit has returned to a normal condition at this time. A temporary poor contact of the connector or harness may be the cause. Repair harness or connector in the TCM and ECM.</p>	<p>Go to step 7.</p>
<p>6 CHECK INPUT SIGNAL FOR TCM USING SUBARU SELECT MONITOR. 1)Connect the connectors to TCM and ECM. 2)Connect the Subaru Select Monitor to data link connector. 3)Start the engine and turn the Subaru Select Monitor switch to ON. 4)Warm-up the engine until engine coolant temperature is above 80°C (176°F). 5)Idle the engine. 6)Read the data of mass air flow sensor signal using Subaru Select Monitor. •Display shows the mass air flow sensor signal value sent from ECM.</p>	<p>Is the value voltage 0.9 — 1.4 V?</p>	<p>Even if the POWER indicator blinks, the circuit has returned to a normal condition at this time. A temporary poor contact of the connector or harness may be the cause. Repair harness or connector in the TCM and ECM.</p>	<p>Go to step 7.</p>
<p>7 CHECK POOR CONTACT.</p>	<p>Is there poor contact in intake manifold pressure signal circuit?</p>	<p>Repair the poor contact.</p>	<p>Replace the TCM. <Ref. to 4AT-74, Transmission Control Module (TCM).></p>

Diagnostic Procedure with Diagnostic Trouble Code (DTC)

AUTOMATIC TRANSMISSION (DIAGNOSTICS)

C: DTC 27 ATF TEMPERATURE SENSOR

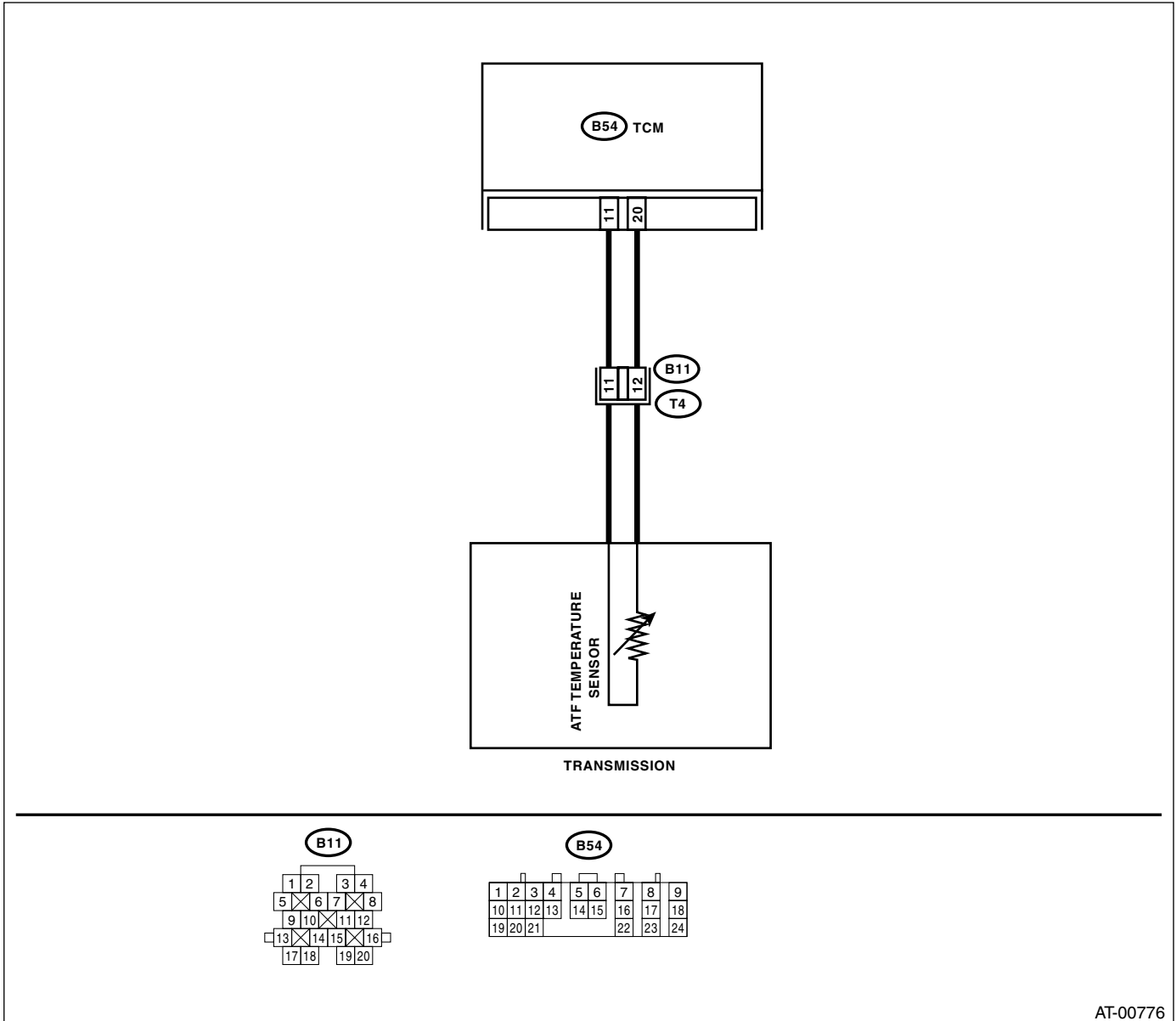
DIAGNOSIS:

The input signal circuit of TCM to ATF temperature sensor is open or shorted.

TROUBLE SYMPTOM:

Excessive shift shock.

WIRING DIAGRAM:



Step	Check	Yes	No
1 CHECK HARNESS CONNECTOR BETWEEN TCM AND ATF TEMPERATURE SENSOR. 1) Turn the ignition switch to OFF. 2) Disconnect the connector from transmission and TCM. 3) Measure the resistance of harness between TCM and transmission connector. Connector & terminal (B54) No. 20 — (B11) No. 12:	Is the resistance less than 1 Ω?	Go to step 2.	Repair the open circuit in harness between TCM and transmission connector.

Diagnostic Procedure with Diagnostic Trouble Code (DTC)

AUTOMATIC TRANSMISSION (DIAGNOSTICS)

Step	Check	Yes	No
2 CHECK HARNESS CONNECTOR BETWEEN TCM AND ATF TEMPERATURE SENSOR. Measure the resistance of harness between TCM and transmission connector. <i>Connector & terminal</i> <i>(B54) No. 11 — (B11) No. 11:</i>	Is the resistance less than 1 Ω ?	Go to step 3.	Repair the open circuit in harness between TCM and transmission connector.
3 CHECK HARNESS CONNECTOR BETWEEN TCM AND ATF TEMPERATURE SENSOR. Measure the resistance of harness between TCM connector and chassis ground. <i>Connector & terminal</i> <i>(B54) No. 20 — Chassis ground:</i>	Is the resistance more than 1 $M\Omega$?	Go to step 4.	Repair the short circuit in harness between TCM and transmission connector.
4 CHECK HARNESS CONNECTOR BETWEEN TCM AND ATF TEMPERATURE SENSOR. Measure the resistance of harness between TCM connector and chassis ground. <i>Connector & terminal</i> <i>(B54) No. 11 — Chassis ground:</i>	Is the resistance more than 1 $M\Omega$?	Go to step 5.	Repair the short circuit in harness between TCM and transmission connector.
5 CHECK ATF TEMPERATURE SENSOR. 1) Turn the ignition switch to OFF. 2) Connect the connectors to transmission and TCM. 3) Turn the ignition switch to ON and start engine. 4) Warm-up the transmission until ATF temperature reaches to 80°C (176°F). NOTE: If ambient temperature is below 0°C (32°F), drive the vehicle until ATF reaches its operating temperature. 5) Disconnect the connector from transmission. 6) Measure the resistance between transmission connector terminals. <i>Connector & terminal</i> <i>(T4) No. 11 — No. 12:</i>	Is the resistance 275 — 375 Ω ?	Go to step 6.	Replace the ATF temperature sensor. <Ref. to 4AT-68, Shift Solenoids, Duty Solenoids and ATF Temperature Sensor.>
6 CHECK ATF TEMPERATURE SENSOR. 1) Turn the ignition switch to ON (engine OFF). 2) Measure the resistance between transmission connector terminals. <i>Connector & terminal</i> <i>(T4) No. 11 — No. 12:</i>	Does the resistance value increase while ATF temperature decreases?	Go to step 7.	Replace the ATF temperature sensor. <Ref. to 4AT-68, Shift Solenoids, Duty Solenoids and ATF Temperature Sensor.>
7 PREPARE SUBARU SELECT MONITOR.	Do you have a Subaru Select Monitor?	Go to step 9.	Go to step 8.

Diagnostic Procedure with Diagnostic Trouble Code (DTC)

AUTOMATIC TRANSMISSION (DIAGNOSTICS)

Step	Check	Yes	No
8 CHECK INPUT SIGNAL FOR TCM. 1)Connect the connector to transmission. 2)Warm-up the transmission until ATF temperature is about 80°C (176°F). NOTE: If ambient temperature is below 0°C (32°F), drive the vehicle until ATF reaches its operating temperature. 3)Measure the voltage between TCM connector terminal. <i>Connector & terminal</i> <i>(B54) No. 11 (+) — No. 20 (-):</i>	Is the voltage 0.4 — 0.9 V?	Even if the POWER indicator blinks, the circuit has returned to a normal condition at this time. Temporary poor contact of the connector or harness may be the cause. Repair the harness or contact in ATF temperature sensor and transmission connector.	Go to step 10.
9 CHECK INPUT SIGNAL FOR TCM USING SUBARU SELECT MONITOR. 1)Connect the connector to transmission. 2)Turn the ignition switch to ON (engine OFF). 3)Using the Subaru Select Monitor, read the data of ATF temperature.	Does the ATF temperature gradually decrease?	Even if the POWER indicator blinks, the circuit has returned to a normal condition at this time. Temporary poor contact of the connector or harness may be the cause. Repair the harness or contact in ATF temperature sensor and transmission connector.	Go to step 10.
10 CHECK POOR CONTACT.	Is there poor contact in ATF temperature sensor circuit?	Repair the poor contact.	Replace the TCM. <Ref. to 4AT-74, Transmission Control Module (TCM).>

Diagnostic Procedure with Diagnostic Trouble Code (DTC)

AUTOMATIC TRANSMISSION (DIAGNOSTICS)

D: DTC 31 THROTTLE POSITION SENSOR

DIAGNOSIS:

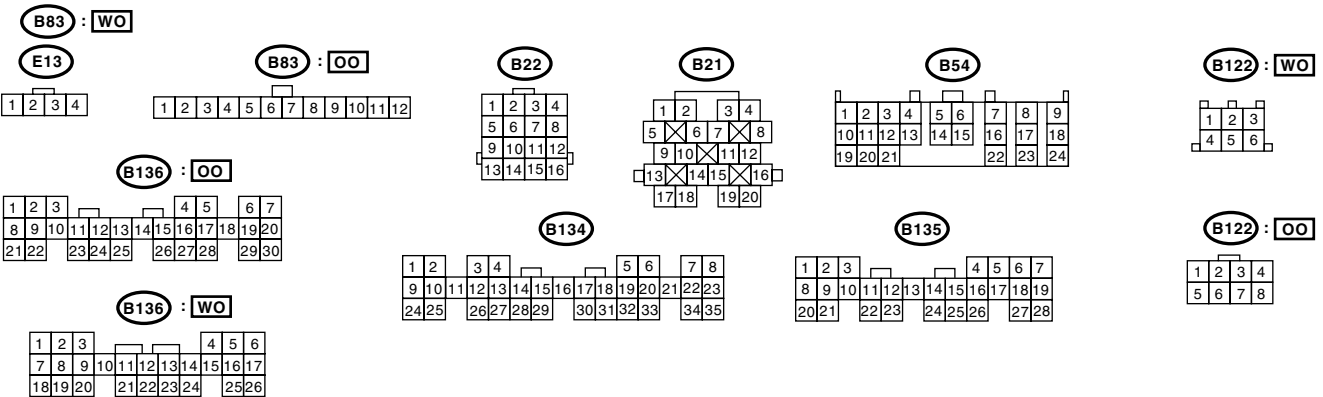
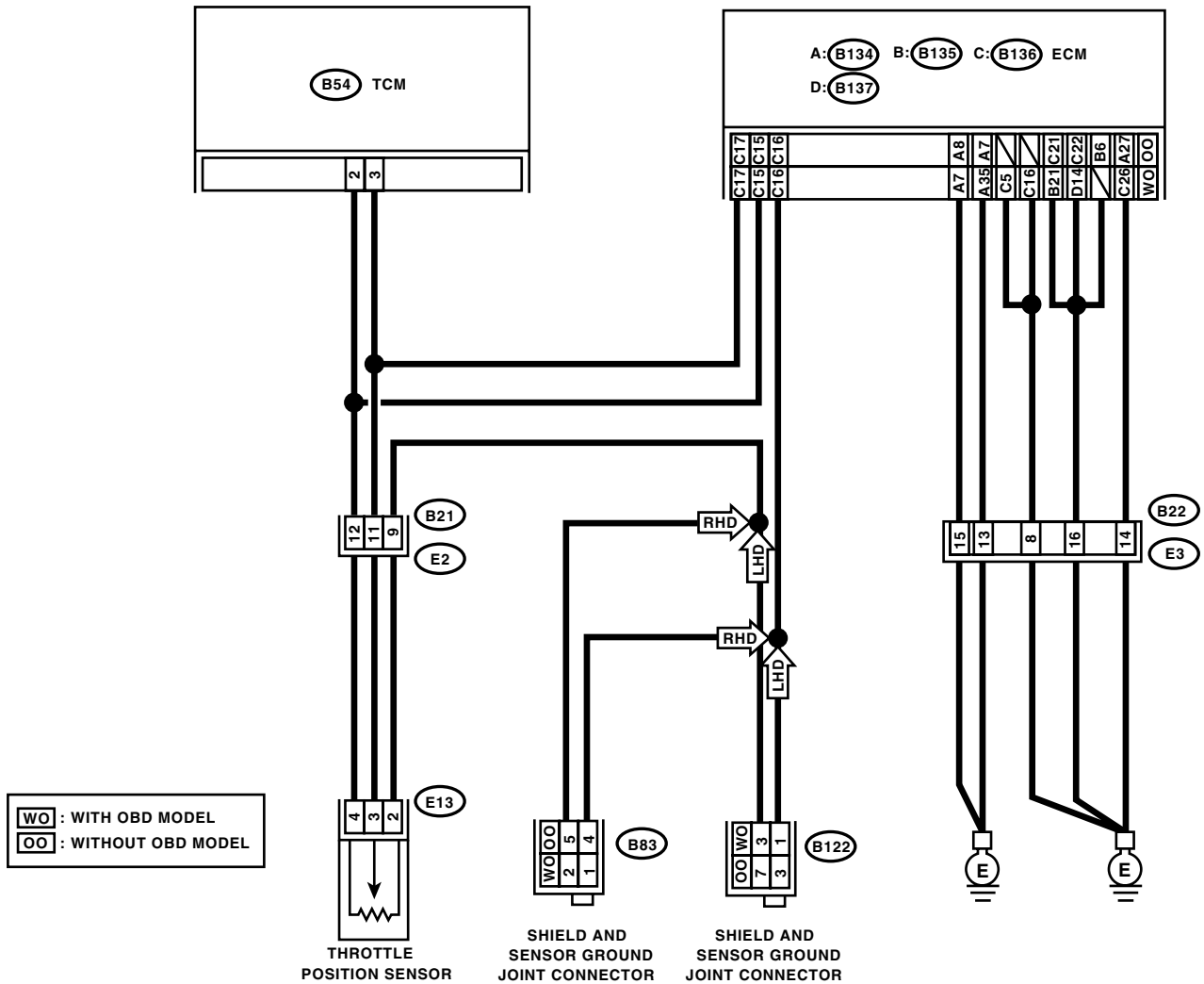
The input signal circuit of throttle position sensor is open or shorted.

TROUBLE SYMPTOM:

- Shift point too high or too low.
- Excessive shift shock.
- Excessive tight corner "braking".

WIRING DIAGRAM:

SOHC MODEL

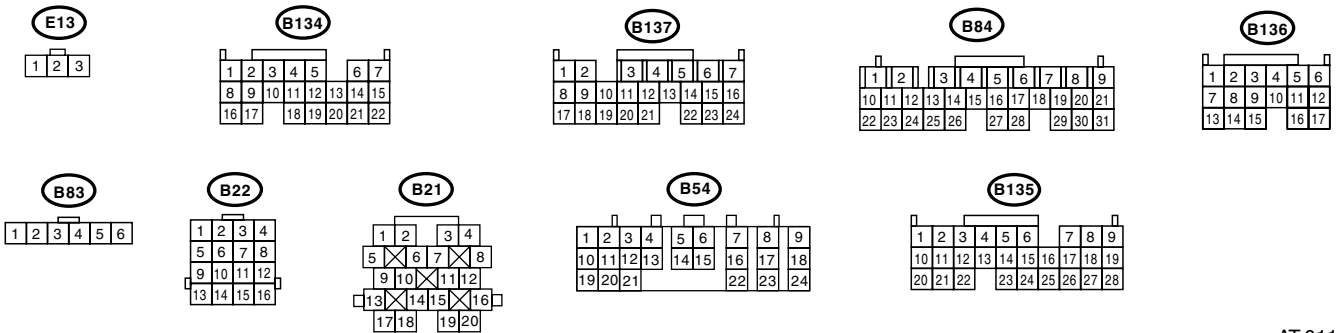
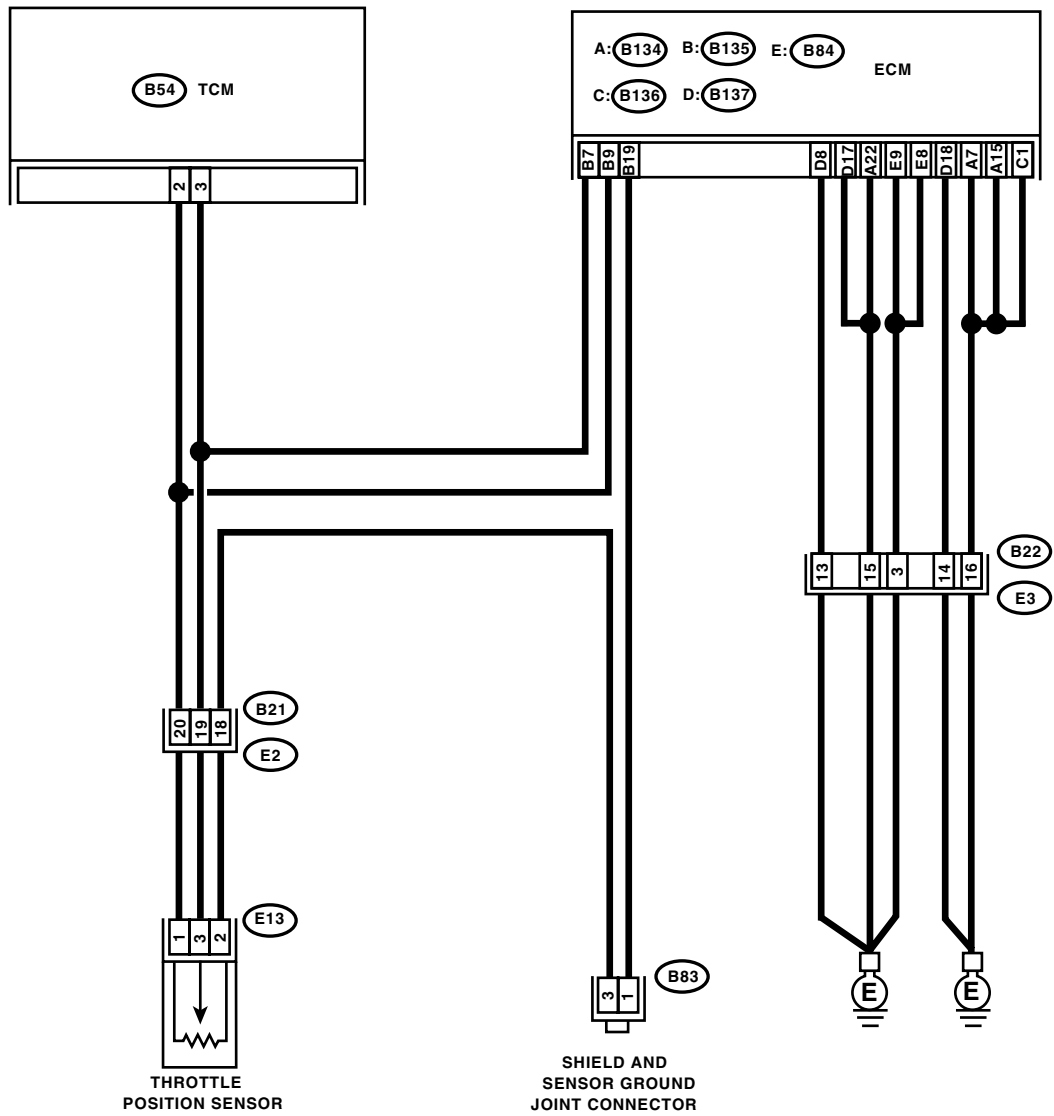


AT-01142

Diagnostic Procedure with Diagnostic Trouble Code (DTC)

AUTOMATIC TRANSMISSION (DIAGNOSTICS)

DOHC TURBO MODEL



AT-01143

Diagnostic Procedure with Diagnostic Trouble Code (DTC)

AUTOMATIC TRANSMISSION (DIAGNOSTICS)

Step	Check	Yes	No	
1	CHECK ENGINE GROUND TERMINALS.	Go to step 2.	Tighten the engine ground terminals.	
2	CHECK GROUND CIRCUIT OF ECM. 1) Turn the ignition switch to OFF. 2) Disconnect the connector from ECM. 3) Measure the resistance of harness between ECM and engine ground. Connector & terminal SOHC MODEL WITH OBD (B134) No. 7 — Engine ground: (B134) No. 35 — Engine ground: (B134) No. 7 — Engine ground: (B135) No. 21 — Engine ground: (B136) No. 5 — Engine ground: (B136) No. 16 — Engine ground: (B137) No. 14 — Engine ground: SOHC MODEL WITHOUT OBD (B134) No. 27 — Engine ground: (B134) No. 8 — Engine ground: (B134) No. 7 — Engine ground: (B136) No. 21 — Engine ground: (B136) No. 22 — Engine ground: (B135) No. 6 — Engine ground: (RHD MODEL) DOHC TURBO MODEL (B134) No. 7 — Engine ground: (B134) No. 15 — Engine ground: (B134) No. 22 — Engine ground: (B137) No. 8 — Engine ground: (B137) No. 17 — Engine ground: (B137) No. 18 — Engine ground: (B84) No. 8 — Engine ground: (B84) No. 9 — Engine ground: (B136) No. 1 — Engine ground:	Is the resistance less than 5 Ω ?	Go to step 3.	Repair the open circuit in harness between ECM connector and engine grounding terminal.
3	CHECK THROTTLE POSITION SENSOR. 1) Disconnect the connector from throttle position sensor. 2) Measure the resistance between throttle position sensor connector receptacle's terminals. Terminals SOHC MODEL No. 4 — No. 2: DOHC TURBO MODEL No. 1 — No. 2:	Is the resistance 3.0 — 4.2 k Ω ?	Go to step 4.	Replace the throttle position sensor.
4	CHECK THROTTLE POSITION SENSOR. Measure the resistance between throttle position sensor connector receptacle's terminals. Terminals No. 2 — No. 3:	Is the resistance 0.35 — 0.5 k Ω ?	Go to step 5.	Replace the throttle position sensor.
5	CHECK HARNESS CONNECTOR BETWEEN TCM AND THROTTLE POSITION SENSOR. 1) Disconnect the connector from TCM. 2) Measure the resistance of harness between TCM and throttle position sensor connector. Connector & terminal (B55) No. 3 — (E13) No. 3:	Is the resistance less than 1 Ω ?	Go to step 6.	Repair the open circuit in harness between TCM and throttle position sensor connector, and poor contact in coupling connector.

Diagnostic Procedure with Diagnostic Trouble Code (DTC)

AUTOMATIC TRANSMISSION (DIAGNOSTICS)

Step	Check	Yes	No
6 CHECK HARNESS CONNECTOR BETWEEN TCM AND THROTTLE POSITION SENSOR. Measure the resistance of harness between TCM and throttle position sensor connector. <i>Connector & terminal</i> SOHC MODEL (B54) No. 2 — (E13) No. 4: DOHC TURBO MODEL (B54) No. 2 — (E13) No. 1:	Is the resistance less than 1 Ω ?	Go to step 7.	Repair the open circuit in harness between TCM and throttle position sensor connector, and poor contact in coupling connector.
7 CHECK HARNESS CONNECTOR BETWEEN TCM AND THROTTLE POSITION SENSOR. Measure the resistance of harness between TCM connector and chassis ground. <i>Connector & terminal</i> (B54) No. 3 — Chassis ground:	Is the resistance more than 1 M Ω ?	Go to step 8.	Repair the short circuit in harness between TCM and throttle position sensor connector.
8 CHECK HARNESS CONNECTOR BETWEEN TCM AND THROTTLE POSITION SENSOR. Measure the resistance of harness between TCM connector and chassis ground. <i>Connector & terminal</i> (B54) No. 2 — Chassis ground:	Is the resistance more than 1 M Ω ?	Go to step 9.	Repair the short circuit in harness between TCM and throttle position sensor connector.
9 CHECK HARNESS CONNECTOR BETWEEN TCM AND ECM. Measure the resistance of harness between TCM and ECM connector. <i>Connector & terminal</i> SOHC MODEL (B54) No. 3 — (B136) No. 17: DOHC TURBO MODEL (B54) No. 3 — (B135) No. 7:	Is the resistance less than 1 Ω ?	Go to step 10.	Repair the open circuit in harness between TCM and ECM connector.
10 CHECK HARNESS CONNECTOR BETWEEN TCM AND ECM. Measure the resistance of harness between TCM and ECM connector. <i>Connector & terminal</i> SOHC MODEL (B54) No. 2 — (B136) No. 15: DOHC TURBO MODEL (B54) No. 2 — (B135) No. 9:	Is the resistance less than 1 Ω ?	Go to step 11.	Repair the open circuit in harness between TCM and ECM connector.
11 PREPARE SUBARU SELECT MONITOR.	Do you have a Subaru Select Monitor?	Go to step 14.	Go to step 12.
12 CHECK INPUT SIGNAL FOR TCM. 1)Connect the connectors to TCM, throttle position sensor and ECM. 2)Turn the ignition switch to ON (engine OFF). 3)Close the throttle completely. 4)Measure the voltage between TCM connector and chassis ground. <i>Connector & terminal</i> (B54) No. 3 (+) — Chassis ground (-):	Is the voltage 0.2 — 1.0 V?	Go to step 13.	Go to step 18.
13 CHECK INPUT SIGNAL FOR TCM. 1)Open the throttle completely and hold it. 2)Measure the voltage between TCM connector and chassis ground. <i>Connector & terminal</i> (B54) No. 3 (+) — Chassis ground (-):	Is the voltage 4.2 — 4.7 V?	Go to step 16.	Go to step 18.

Diagnostic Procedure with Diagnostic Trouble Code (DTC)

AUTOMATIC TRANSMISSION (DIAGNOSTICS)

Step	Check	Yes	No
14 CHECK INPUT SIGNAL FOR TCM USING SUBARU SELECT MONITOR. 1)Connect the connectors to TCM, throttle position sensor and ECM. 2)Connect the Subaru Select Monitor to data link connector. 3)Turn the ignition switch to ON (engine OFF). 4)Turn the Subaru Select Monitor switch to ON. 5)Throttle fully closed. 6)Read the data of throttle position sensor using Subaru Select Monitor. •Throttle position sensor input signal is indicated.	Is the value voltage 0.2 — 1.0 V?	Go to step 15.	Go to step 18.
15 CHECK INPUT SIGNAL FOR TCM USING SUBARU SELECT MONITOR. Throttle fully open. NOTE: Must be changed correspondingly with the accelerator pedal operation (from “released” to “depressed” position).	Is the value voltage 4.2 — 4.7 V?	Go to step 17.	Go to step 18.
16 CHECK INPUT SIGNAL FOR TCM (THROTTLE POSITION SENSOR POWER SUPPLY). Measure the voltage between TCM connector and chassis ground. <i>Connector & terminal</i> <i>(B54) No. 2 (+) — Chassis ground (-):</i>	Is the voltage 4.8 — 5.3 V?	Even if the POWER indicator blinks, the circuit has returned to a normal condition at this time. A temporary poor contact of the connector or harness may be the cause. Repair the harness or connector in throttle position sensor circuit.	Go to step 18.
17 CHECK INPUT SIGNAL FOR TCM USING SUBARU SELECT MONITOR (THROTTLE POSITION SENSOR POWER SUPPLY). Read the data of throttle position sensor power supply using Subaru Select Monitor. •Throttle position sensor power supply voltage is indicated.	Is the value voltage 4.8 — 5.3 V?	Even if the POWER indicator blinks, the circuit has returned to a normal condition at this time. A temporary poor contact of the connector or harness may be the cause. Repair the harness or connector in throttle position sensor circuit.	Go to step 18.
18 CHECK POOR CONTACT.	Is there poor contact in throttle position sensor circuit?	Repair the poor contact.	Replace the TCM. <Ref. to 4AT-74, Transmission Control Module (TCM).>

Diagnostic Procedure with Diagnostic Trouble Code (DTC)

AUTOMATIC TRANSMISSION (DIAGNOSTICS)

E: DTC 33 FRONT VEHICLE SPEED SENSOR

DIAGNOSIS:

- The vehicle speed signal is abnormal.
- The circuit in combination meter is faulty.
- The harness connector between TCM and vehicle speed sensor is in short or open.

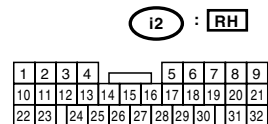
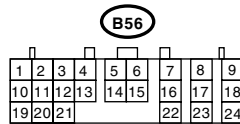
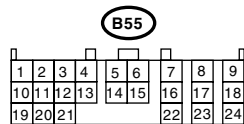
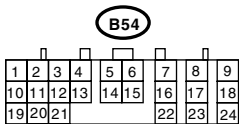
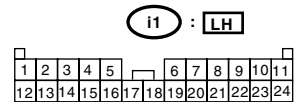
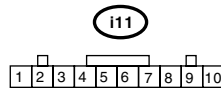
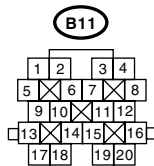
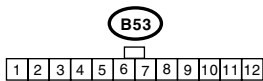
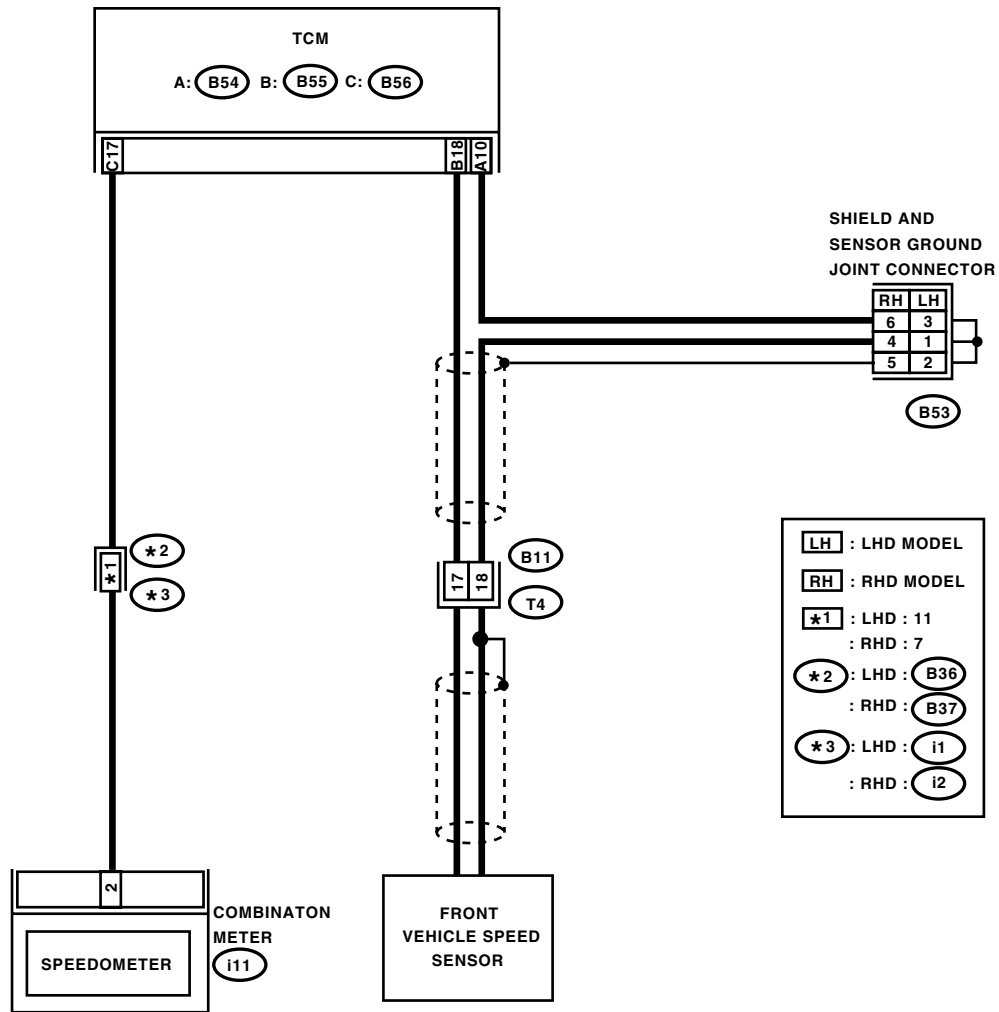
TROUBLE SYMPTOM:

- Erroneous idling.
- Engine stalls.
- Poor driving performance.

Diagnostic Procedure with Diagnostic Trouble Code (DTC)

AUTOMATIC TRANSMISSION (DIAGNOSTICS)

WIRING DIAGRAM:



AT-01144

Diagnostic Procedure with Diagnostic Trouble Code (DTC)

AUTOMATIC TRANSMISSION (DIAGNOSTICS)

Step	Check	Yes	No
1 CHECK HARNESS CONNECTOR BETWEEN TCM AND TRANSMISSION. 1) Turn the ignition switch to OFF. 2) Disconnect the connector from TCM and transmission. 3) Measure the resistance of harness between TCM and transmission connector. <i>Connector & terminal</i> <i>(B55) No. 18 — (B11) No. 17:</i>	Is the resistance less than 1 Ω ?	Go to step 2.	Repair the open circuit in harness between TCM and transmission connector.
2 CHECK HARNESS CONNECTOR BETWEEN TCM AND TRANSMISSION. Measure the resistance of harness between TCM and chassis ground. <i>Connector & terminal</i> <i>(B54) No. 10 — (B11) No. 18:</i>	Is the resistance less than 1 Ω ?	Go to step 3.	Repair the open circuit in harness between TCM and transmission connector, and poor contact in coupling connector.
3 CHECK HARNESS CONNECTOR BETWEEN TCM AND TRANSMISSION. Measure the resistance of harness between TCM and chassis ground. <i>Connector & terminal</i> <i>(B54) No. 10 — Chassis ground:</i>	Is the resistance more than 1 $M\Omega$?	Go to step 4.	Repair the short circuit in harness between TCM and transmission connector.
4 CHECK HARNESS CONNECTOR BETWEEN TCM AND TRANSMISSION. Measure the resistance of harness between TCM and transmission connector. <i>Connector & terminal</i> <i>(B55) No. 18 — Chassis ground:</i>	Is the resistance more than 1 $M\Omega$?	Go to step 5.	Repair the short circuit in harness between TCM and transmission connector, and poor contact in coupling connector.
5 CHECK FRONT VEHICLE SPEED SENSOR. Measure the resistance between transmission connector receptacle's terminals. <i>Connector & terminal</i> <i>(T4) No. 17 — No. 18:</i>	Is the resistance 450 — 650 Ω ?	Go to step 6.	Replace the front vehicle speed sensor. <Ref. to 4AT-56, Front Vehicle Speed Sensor.>
6 PREPARE OSCILLOSCOPE.	Do you have an oscilloscope?	Go to step 9.	Go to step 7.
7 PREPARE SUBARU SELECT MONITOR.	Do you have a Subaru Select Monitor?	Go to step 10.	Go to step 8.
8 CHECK INPUT SIGNAL FOR TCM. 1) Connect all connectors. 2) Lift-up or raise the vehicle and place safety stands. NOTE: On AWD models, raise all wheels off floor. 3) Start the engine and set vehicle in 20 km/h (12 MPH) condition. NOTE: The speed difference between front and rear wheels may light the ABS warning light, but this indicates no malfunction. When AT control diagnosis is finished, perform the ABS memory clearance procedure of on-board diagnostics system. <Ref. to ABS(diag)-21, Clear Memory Mode.> 4) Measure the voltage between TCM connector terminals. <i>Connector & terminal</i> <i>(B55) No. 18 (+) — (B54) No. 10 (-):</i>	Is the voltage more than AC 1 V?	Even if the POWER indicator blinks, the circuit has returned to a normal condition at this time. A temporary poor contact or harness may be the cause. Repair the harness or connector in the front vehicle speed sensor circuit.	Go to step 11.

Diagnostic Procedure with Diagnostic Trouble Code (DTC)

AUTOMATIC TRANSMISSION (DIAGNOSTICS)

Step	Check	Yes	No
<p>9 CHECK FRONT VEHICLE SPEED SENSOR USING OSCILLOSCOPE.</p> <p>1)Connect all connectors. 2)Lift-up the vehicle and place safety stand.</p> <p>NOTE: On AWD models, raise all wheels off ground.</p> <p>3)Set the oscilloscope to TCM connector terminals.</p> <p>Connector & terminal Positive probe; (B55) No. 18 Earth lead; (B54) No. 10</p> <p>4)Start the engine, and drive the wheels slowly.</p> <p>NOTE: The speed difference between front and rear wheels may light the ABS warning light, but this indicates no malfunctions. When AT control diagnosis is finished, perform the ABS memory clearance procedure of self-diagnosis system. <Ref. to ABS(diag)-21, Clear Memory Mode.></p> <p>5)Measure the signal voltage indicated on oscilloscope.</p>	<p>Is the voltage more than AC 4 V?</p>	<p>Even if the POWER indicator blinks, the circuit has returned to a normal condition at this time. A temporary poor contact or harness may be the cause. Repair the harness or connector in front vehicle speed sensor circuit.</p>	<p>Go to step 11.</p>
<p>10 CHECK INPUT SIGNAL FOR TCM USING SUBARU SELECT MONITOR.</p> <p>1)Connect all connectors. 2)Connect the Subaru Select Monitor to data link connector. 3)Lift-up or raise the vehicle and place safety stands.</p> <p>NOTE: On AWD models, raise all wheels off floor.</p> <p>4)Turn the ignition switch to ON and turn Subaru Select Monitor switch to ON. 5)Start the engine. 6)Read the data of vehicle speed using Subaru Select Monitor.</p> <ul style="list-style-type: none"> •Compare the speedometer with Subaru Select Monitor indications. •Vehicle speed is indicated in “km/h” or “MPH”. <p>7)Slowly increase the vehicle speed to 60 km/h or 37 MPH.</p> <p>NOTE: The speed difference between front and rear wheels may light the ABS warning light, but this indicates no malfunction. When AT control diagnosis is finished, perform the ABS memory clearance procedure of on-board diagnostics system. <Ref. to ABS(diag)-21, Clear Memory Mode.></p>	<p>Does the speedometer indication increase as Subaru Select Monitor data increases?</p>	<p>Even if the POWER indicator blinks, the circuit has returned to a normal condition at this time. A temporary poor connector or harness may be the cause. Repair the harness or connector in front vehicle speed sensor circuit.</p>	<p>Go to step 11.</p>
<p>11 CHECK POOR CONTACT.</p>	<p>Is there poor contact in front vehicle speed sensor circuit?</p>	<p>Repair the poor contact.</p>	<p>Replace the TCM. <Ref. to 4AT-74, Transmission Control Module (TCM).></p>

Diagnostic Procedure with Diagnostic Trouble Code (DTC)

AUTOMATIC TRANSMISSION (DIAGNOSTICS)

F: DTC 36 TORQUE CONVERTER TURBINE SPEED SENSOR

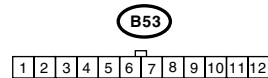
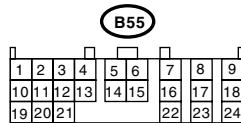
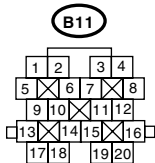
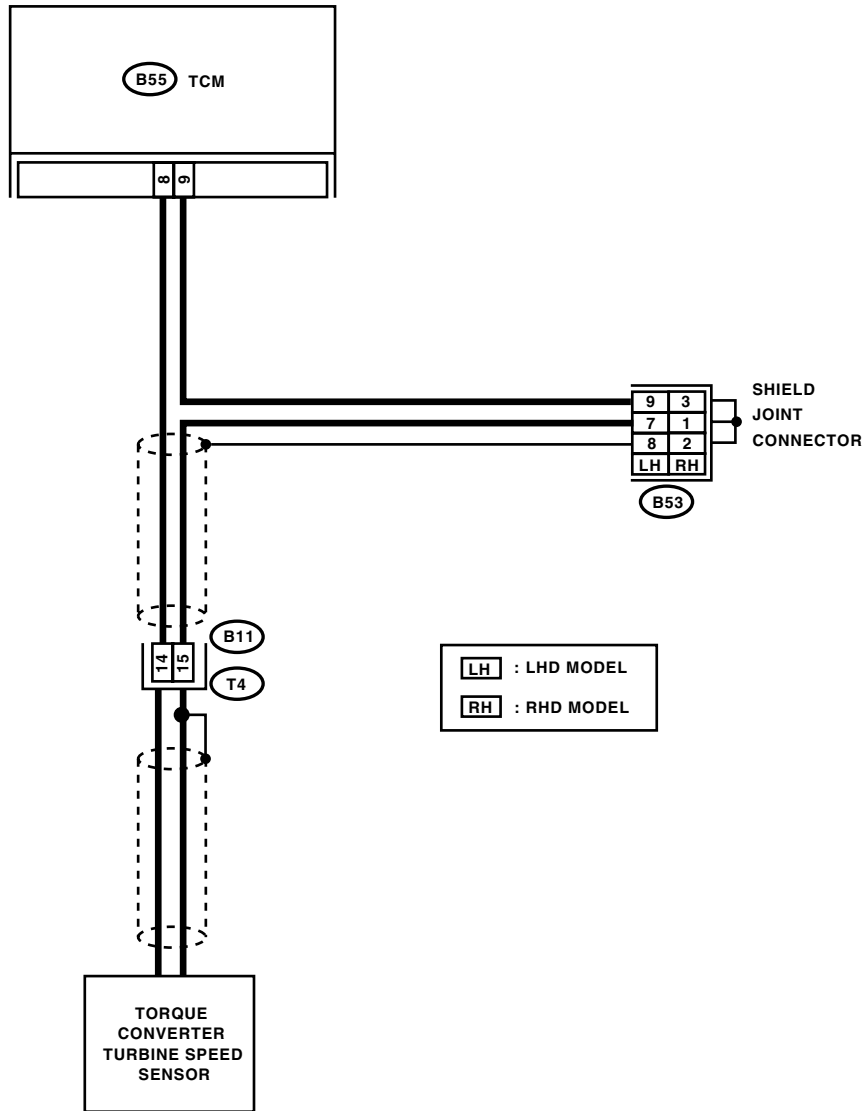
DIAGNOSIS:

The input signal circuit of TCM is open or shorted.

TROUBLE SYMPTOM:

Excessive shift shock.

WIRING DIAGRAM:



AT-01145

Diagnostic Procedure with Diagnostic Trouble Code (DTC)

AUTOMATIC TRANSMISSION (DIAGNOSTICS)

Step	Check	Yes	No
1 CHECK TORQUE CONVERTER TURBINE SPEED SENSOR. 1) Turn the ignition switch to OFF. 2) Disconnect the connector from transmission. 3) Measure the resistance between transmission connector receptacle's terminals. <i>Connector & terminal</i> <i>(T4) No. 14 — No. 15:</i>	Is the resistance 450 — 650 Ω ?	Go to step 2.	Replace the turbine speed sensor. <Ref. to 4AT-61, Torque Converter Turbine Speed Sensor.>
2 CHECK HARNESS CONNECTOR BETWEEN TCM AND TRANSMISSION. 1) Disconnect the connector from TCM. 2) Measure the resistance of harness between TCM and transmission connector. <i>Connector & terminal</i> <i>(B55) No. 8 — (B11) No. 14:</i>	Is the resistance less than 1 Ω ?	Go to step 3.	Repair the open circuit in harness between TCM and transmission connector.
3 CHECK HARNESS CONNECTOR BETWEEN TCM AND TRANSMISSION. Measure the resistance of harness between TCM and transmission connector. <i>Connector & terminal</i> <i>(B55) No. 9 — (B11) No. 15:</i>	Is the resistance less than 1 Ω ?	Go to step 4.	Repair the open circuit in harness between TCM and transmission connector, and poor contact in coupling connector.
4 CHECK HARNESS CONNECTOR BETWEEN TCM AND TRANSMISSION. Measure the resistance of harness between TCM and chassis ground. <i>Connector & terminal</i> <i>(B55) No. 9 — Chassis ground:</i>	Is the resistance more than 1 M Ω ?	Go to step 5.	Repair the short circuit in harness between TCM and transmission connector.
5 CHECK HARNESS CONNECTOR BETWEEN TCM AND TRANSMISSION. Measure the resistance of harness between TCM and chassis ground. <i>Connector & terminal</i> <i>(B55) No. 8 — Chassis ground:</i>	Is the resistance more than 1 M Ω ?	Go to step 6.	Repair the short circuit in harness between TCM and transmission connector, and poor contact in coupling connector.
6 PREPARE OSCILLOSCOPE.	Do you have an oscilloscope?	Go to step 10.	Go to step 7.
7 PREPARE SUBARU SELECT MONITOR.	Do you have a Subaru Select Monitor?	Go to step 9.	Go to step 8.
8 CHECK INPUT SIGNAL FOR TCM. 1) Connect the connectors to TCM and transmission. 2) Start the engine and move select lever to "P" or "N" range. 3) Measure the voltage between TCM connector terminals. <i>Connector & terminal</i> <i>(B55) No. 8 (+) — No. 9 (-):</i>	Is the voltage more than AC 1 V?	Even if the POWER indicator blinks, the circuit has returned to a normal condition at this time. A temporary poor contact of the connector or harness may be the cause. Repair the harness or connector in TCM and transmission.	Go to step 11.

Diagnostic Procedure with Diagnostic Trouble Code (DTC)

AUTOMATIC TRANSMISSION (DIAGNOSTICS)

Step	Check	Yes	No
9 CHECK INPUT SIGNAL FOR TCM USING SUBARU SELECT MONITOR. 1)Connect the connectors to TCM and transmission. 2)Connect the Subaru Select Monitor to data link connector. 3)Turn the ignition switch to ON and turn Subaru Select Monitor switch to ON. 4)Start the engine. 5)Move the select lever to "P" or "N" range. 6)Read the data of turbine speed using Subaru Select Monitor. •Compare the tachometer with Subaru Select Monitor indications.	Is the revolution value same as the tachometer reading shown on the combination meter?	Even if the POWER indicator blinks, the circuit has returned to a normal condition at this time. A temporary poor contact of the connector or harness may be the cause. Repair the harness or connector in TCM and transmission.	Go to step 11.
10 CHECK INPUT SIGNAL FOR TCM USING OSCILLOSCOPE. 1)Connect the connectors to TCM and transmission. 2)Set the oscilloscope to TCM connector terminals. <i>Connector & terminal</i> <i>Positive probe; (B55) No. 8</i> <i>Earth lead; (B55) No. 9</i> 3)Start the engine and move select lever to "P" or "N" range.	Is the signal voltage more than AC 1 V?	Even if the POWER indicator blinks, the circuit has returned to a normal condition at this time. A temporary poor contact of the connector or harness may be the cause. Repair the harness or connector in TCM and transmission.	Go to step 11.
11 CHECK POOR CONTACT.	Is there poor contact in torque converter turbine speed sensor circuit?	Repair the poor contact.	Replace the TCM. <Ref. to 4AT-74, Transmission Control Module (TCM).>

Diagnostic Procedure with Diagnostic Trouble Code (DTC)

AUTOMATIC TRANSMISSION (DIAGNOSTICS)

G: DTC 38 TORQUE CONTROL SIGNAL

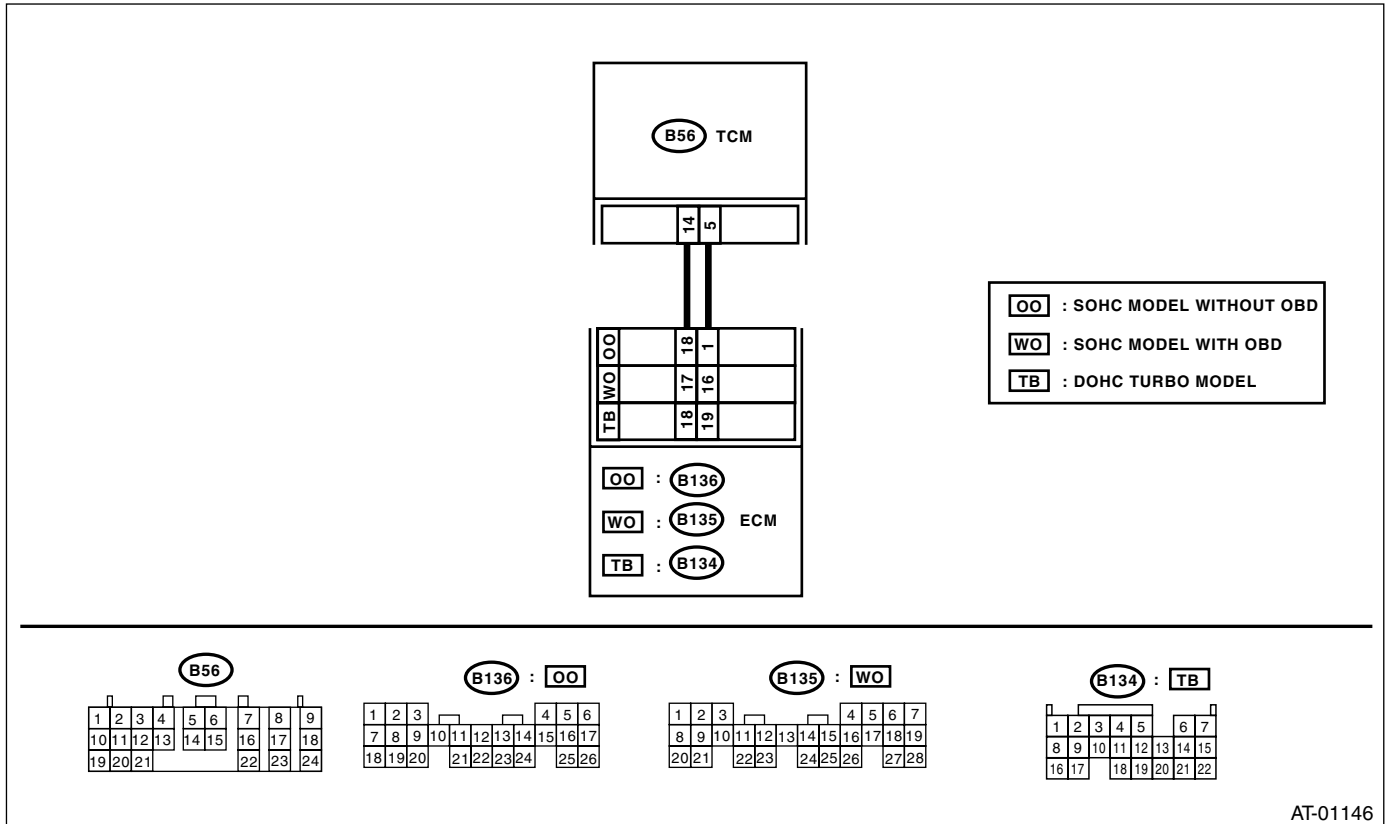
DIAGNOSIS:

The signal circuit is open or shorted.

TROUBLE SYMPTOM:

Excessive shift shock.

WIRING DIAGRAM:



AT-01146

Step	Check	Yes	No
<p>1</p> <p>CHECK HARNESS CONNECTOR BETWEEN TCM AND ECM.</p> <p>1) Turn the ignition switch to OFF.</p> <p>2) Disconnect the connectors from TCM and ECM.</p> <p>3) Measure the resistance of harness between TCM and ECM connector.</p> <p>Connector & terminal</p> <p>SOHC MODEL WITH OBD</p> <p>(B56) No. 14 — (B136) No. 18:</p> <p>(B56) No. 5 — (B136) No. 1:</p> <p>SOHC MODEL WITHOUT OBD</p> <p>(B56) No. 14 — (B135) No. 17:</p> <p>(B56) No. 5 — (B135) No. 16:</p> <p>DOHC TURBO MODEL</p> <p>(B56) No. 14 — (B134) No. 18:</p> <p>(B56) No. 5 — (B134) No. 19:</p>	<p>Is the resistance less than 1 Ω?</p>	<p>Go to step 2.</p>	<p>Repair the open circuit in harness between TCM and ECM connector.</p>

Diagnostic Procedure with Diagnostic Trouble Code (DTC)

AUTOMATIC TRANSMISSION (DIAGNOSTICS)

Step	Check	Yes	No
2 CHECK HARNESS CONNECTOR BETWEEN TCM AND ECM. Measure the resistance of harness between TCM connector and chassis ground. <i>Connector & terminal</i> <i>(B56) No. 14 — Chassis ground:</i> <i>(B56) No. 5 — Chassis ground:</i>	Is the resistance more than 1 MΩ?	Go to step 3.	Repair the short circuit in harness between TCM and ECM connector.
3 CHECK OUTPUT SIGNAL EMITTED FROM TCM. 1)Connect the connectors to TCM and ECM. 2)Turn the ignition switch to ON (engine OFF). 3)Measure the voltage between TCM connector terminals. <i>Connector & terminal</i> <i>(B56) No. 14 (+) — Chassis ground (-):</i> <i>(B56) No. 5 (+) — Chassis ground (-):</i>	Is the voltage more than 4.8 V?	Even if the POWER indicator blinks, the circuit has returned to a normal condition at this time. A temporary poor contact of the connector or harness may be the cause. Repair the harness or connector in TCM and ECM.	Go to step 4.
4 CHECK POOR CONTACT.	Is there poor contact in torque control signal circuit?	Repair the poor contact.	Go to step 5.
5 CHECK GROUND LINE BETWEEN TRANSMISSION AND BODY. Check installing condition of the ground line in transmission and body.	Is there any dirt or rust at the ground line installing point?	Remove dirt and rust.	Go to step 6.
6 CHECK GROUND LINE BETWEEN TRANSMISSION AND BODY. Check installing condition of the ground line in transmission and body. <i>Tightening torque:</i> <i>10 — 16 N·m (1.0 — 1.6 kgf·m, 7.2 — 11.6 ft·lb)</i>	Is the tightening torque value within specification?	Go to step 7.	Tighten to the specified torque.
7 CHECK GROUND LINE INSIDE TRANSMISSION. 1)Drain the ATF and remove oil pan. 2)Check the tightening torque value of ground line installing bolt. <i>Tightening torque:</i> <i>7 — 9 N·m (0.7 — 0.9 kgf·m, 5.1 — 6.5 ft·lb)</i>	Is the tightening torque value within specification?	Go to step 8.	Tighten to the specified torque.
8 CHECK GROUND CIRCUIT OF ECM. <Ref. to 4AT(diag)-47, DTC 31 THROTTLE POSITION SENSOR, Diagnostic Procedure with Diagnostic Trouble Code (DTC).>	Is there any trouble?	Repair the ground terminal and/or ground circuit of ECM.	Go to step 9.
9 RECHECK OUTPUT SIGNAL EMITTED FROM TCM. Measure the voltage between TCM connector and chassis ground. <i>Connector & terminal</i> <i>(B56) No. 14 (+) — Chassis ground (-):</i> <i>(B56) No. 5 (+) — Chassis ground (-):</i>	Is each voltage more than 4 V?	Replace the TCM. <Ref. to 4AT-74, Transmission Control Module (TCM).>	Replace the ECM.

Diagnostic Procedure with Diagnostic Trouble Code (DTC)

AUTOMATIC TRANSMISSION (DIAGNOSTICS)

H: DTC 45 INTAKE MANIFOLD PRESSURE SIGNAL (NON-TURBO MODEL)

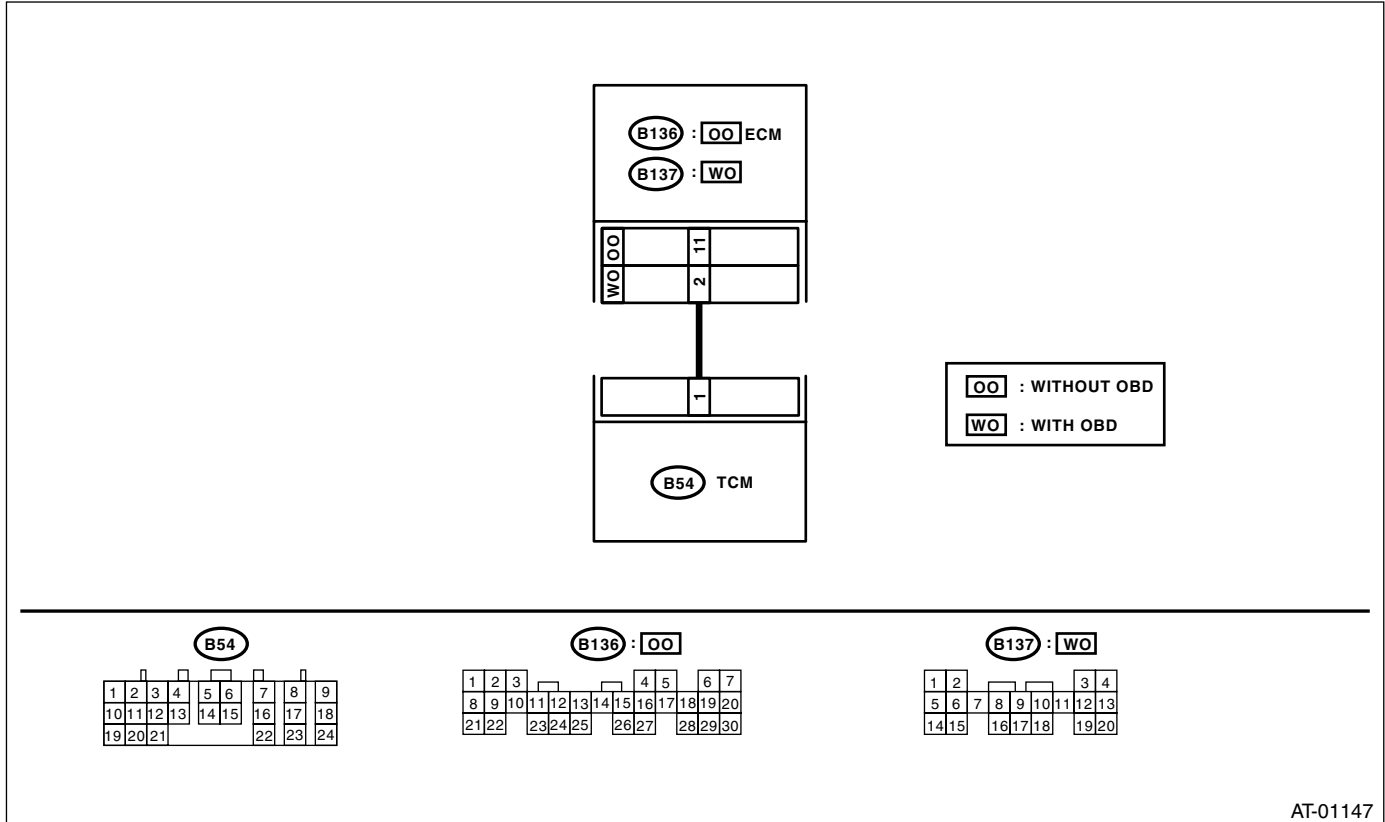
DIAGNOSIS:

The input signal circuit of TCM from ECM is open or shorted.

TROUBLE SYMPTOM:

Excessive shift shock.

WIRING DIAGRAM:



AT-01147

Step	Check	Yes	No	
1	CHECK ENGINE GROUND TERMINALS AND GROUND CIRCUIT OF ECM <Ref. to 4AT(diag)-47, DTC 31 THROTTLE POSITION SENSOR, Diagnostic Procedure with Diagnostic Trouble Code (DTC).>	Is there any trouble?	Repair the ground terminal and/or ground circuit of ECM.	Go to step 2.
2	CHECK HARNESS CONNECTOR BETWEEN TCM AND ECM. 1) Turn the ignition switch to OFF. 2) Disconnect the connectors from TCM and ECM. 3) Measure the resistance of harness between TCM and ECM connector. Connector & terminal SOHC WITHOUT OBD MODEL (B54) No. 1 — (B136) No. 11: SOHC WITH OBD MODEL (B54) No. 1 — (B137) No. 2:	Is the resistance less than 1 Ω?	Go to step 3.	Repair the open circuit in harness between TCM and ECM connector.
3	CHECK HARNESS CONNECTOR BETWEEN TCM AND ECM. Measure the resistance of harness between TCM connector and chassis ground. Connector & terminal (B54) No. 1 — Chassis ground:	Is the resistance more than 1 MΩ?	Go to step 4.	Repair the short circuit in harness between TCM and ECM connector.

Diagnostic Procedure with Diagnostic Trouble Code (DTC)

AUTOMATIC TRANSMISSION (DIAGNOSTICS)

Step	Check	Yes	No
4 PREPARE SUBARU SELECT MONITOR.	Do you have a Subaru Select Monitor?	Go to step 6.	Go to step 5.
5 CHECK INPUT SIGNAL FOR TCM. 1)Connect the connectors to TCM and ECM. 2)Start the engine, and warm-up the transmission until ATF temperature is above 80°C (176°F). NOTE: If ambient temperature is below 0°C (32°F), drive the vehicle until ATF reaches its operating temperature. 3)Idle the engine. 4)Measure the voltage between TCM connector and chassis ground. <i>Connector & terminal</i> <i>(B54) No. 1 (+) — Chassis ground (-):</i>	Is the voltage 0.4 — 1.6 V?	Even if the POWER indicator blinks, the circuit has returned to a normal condition at this time. A temporary poor contact of the connector or harness may be the cause. Repair the harness or connector in TCM and ECM.	Go to step 7.
6 CHECK INPUT SIGNAL FOR TCM USING SUBARU SELECT MONITOR. 1)Connect the connectors to TCM and ECM. 2)Connect the Subaru Select Monitor to data link connector. 3)Start the engine, and turn Subaru Select Monitor switch to ON. 4)Warm-up the engine until engine coolant temperature is above 80°C (176°F). 5)Idle the engine. 6)Read the data of intake manifold pressure signal using Subaru Select Monitor. •Display shows the intake manifold pressure signal value sent from ECM.	Is the value voltage 0.4 — 1.6 V?	Even if the POWER indicator blinks, the circuit has returned to a normal condition at this time. A temporary poor contact of the connector or harness may be the cause. Repair the harness or connector in TCM and ECM.	Go to step 7.
7 CHECK POOR CONTACT.	Is there poor contact in intake manifold pressure signal circuit?	Repair the poor contact.	Replace the TCM. <Ref. to 4AT-74, Transmission Control Module (TCM).>

Diagnostic Procedure with Diagnostic Trouble Code (DTC)

AUTOMATIC TRANSMISSION (DIAGNOSTICS)

I: DTC 71 SHIFT SOLENOID 1

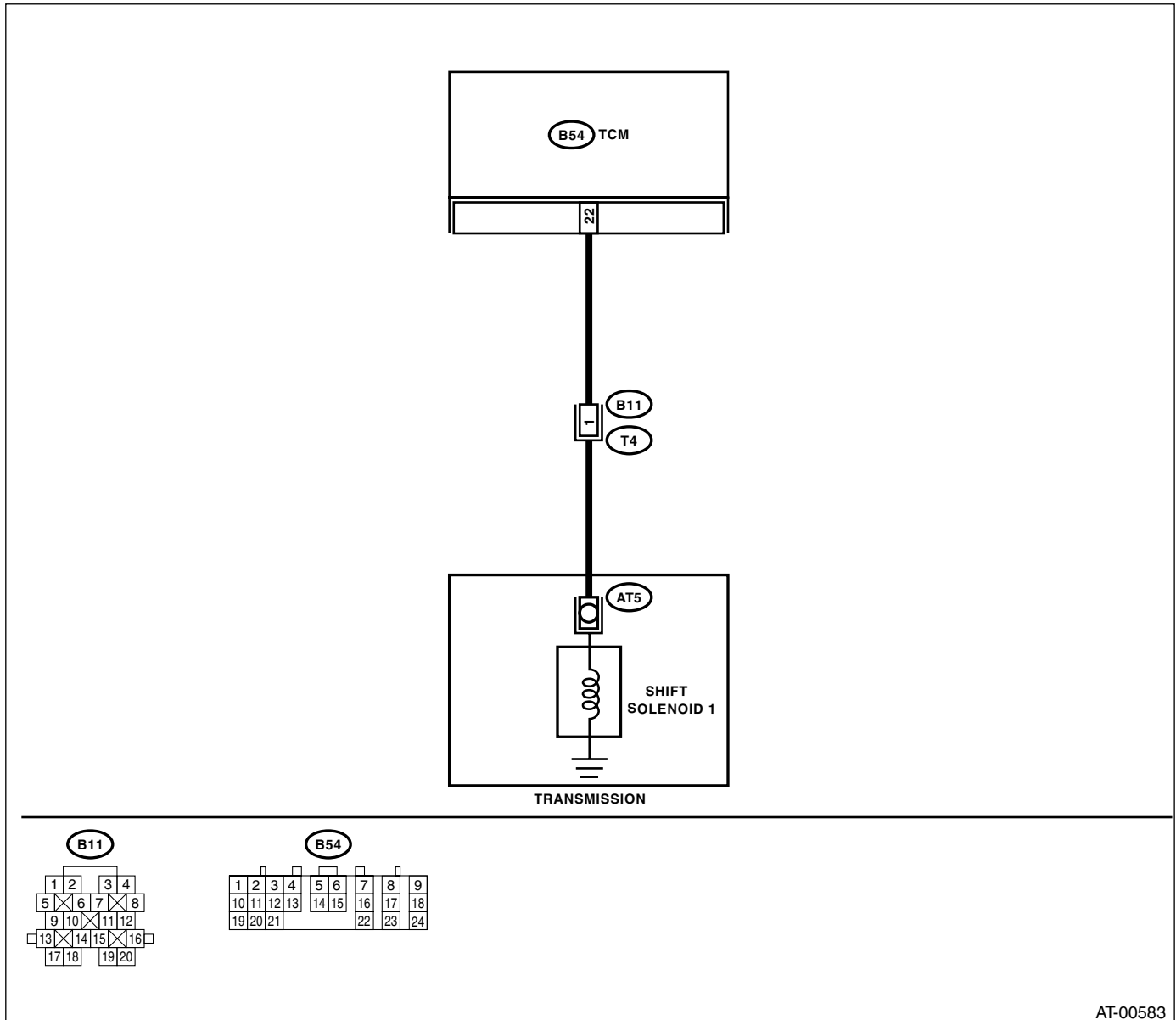
DIAGNOSIS:

The output signal circuit of shift solenoid 1 is open or shorted.

TROUBLE SYMPTOM:

Does not shift.

WIRING DIAGRAM:



AT-00583

Step	Check	Yes	No
1 CHECK HARNESS CONNECTOR BETWEEN TCM AND TRANSMISSION. 1) Turn the ignition switch to OFF. 2) Disconnect the connector from TCM and transmission. 3) Measure the resistance of harness between TCM and shift solenoid 1 connector. Connector & terminal (B54) No. 22 — (B11) No. 1:	Is the resistance less than 1 Ω ?	Go to step 2.	Repair the open circuit in harness between TCM and transmission connector.

Diagnostic Procedure with Diagnostic Trouble Code (DTC)

AUTOMATIC TRANSMISSION (DIAGNOSTICS)

Step	Check	Yes	No
2 CHECK HARNESS CONNECTOR BETWEEN TCM AND TRANSMISSION. Measure the resistance of harness between TCM connector and chassis ground. Connector & terminal (B54) No. 22 — Chassis ground:	Is the resistance more than 1 M Ω ?	Go to step 3.	Repair the short circuit in harness between TCM and transmission connector.
3 CHECK SHIFT SOLENOID 1. Measure the resistance between transmission connector terminals. Connector & terminal (T4) No. 1 — No. 16:	Is the resistance 10 — 16 Ω ?	Go to step 4.	Go to step 7.
4 CHECK OUTPUT SIGNAL EMITTED FROM TCM. 1)Connect the connectors to TCM and transmission. 2)Turn the ignition switch to ON (engine OFF). 3)Move the select lever to "D" range. 4)Measure the voltage between TCM connector and chassis ground. Connector & terminal (B54) No. 22 (+) — Chassis ground (-):	Is the voltage more than 9 V?	Go to step 5.	Go to step 6.
5 CHECK OUTPUT SIGNAL EMITTED FROM TCM. 1)Turn the HOLD mode switch to ON. 2)Measure the voltage between TCM connector and chassis ground. Connector & terminal (B54) No. 22 (+) — Chassis ground (-):	Is the voltage less than 1 V?	Even if the POWER indicator blinks, the circuit has returned to a normal condition at this time. A temporary poor contact of the connector or harness may be the cause. Repair the harness or contact in TCM.	Go to step 6.
6 CHECK POOR CONTACT.	Is there poor contact in shift solenoid 1 circuit?	Repair poor contact.	Replace the TCM. <Ref. to 4AT-74, Transmission Control Module (TCM).>
7 CHECK SHIFT SOLENOID 1 (IN TRANSMISSION). 1)Remove the transmission connector from bracket. 2)Lift-up or raise the vehicle and support with safety stand. NOTE: On AWD models, raise all wheels off ground. 3)Drain the ATF. CAUTION: Do not drain the ATF until it cools down. 4)Remove the oil pan, and disconnect connector from shift solenoid 1. 5)Measure the resistance of shift solenoid 1. Terminals No. 1 — Transmission ground:	Is the resistance 10 — 16 Ω ?	Go to step 8.	Replace the shift solenoid 1. <Ref. to 4AT-68, Shift Solenoids, Duty Solenoids and ATF Temperature Sensor.>

Diagnostic Procedure with Diagnostic Trouble Code (DTC)

AUTOMATIC TRANSMISSION (DIAGNOSTICS)

Step	Check	Yes	No
8 CHECK HARNESS CONNECTOR BETWEEN SHIFT SOLENOID 1 AND TRANSMISSION. Measure the resistance of harness between shift solenoid 1 and transmission connector. Connector & terminal (T4) No. 1 — (AT5) No. 1:	Is the resistance less than 1 Ω ?	Go to step 9.	Repair the open circuit in harness between shift solenoid 1 and transmission connector.
9 CHECK HARNESS CONNECTOR BETWEEN SHIFT SOLENOID 1 AND TRANSMISSION. Measure the resistance of harness between shift solenoid 1 connector and transmission ground. Connector & terminal (T4) No. 1 — Transmission ground:	Is the resistance more than 1 $M\Omega$?	Even if the POWER indicator blinks, the circuit has returned to a normal condition at this time. A temporary poor contact of the connector or harness may be the cause. Repair the harness or connector in shift solenoid 1 and transmission.	Repair the short circuit harness between shift solenoid 1 and transmission connector.

Diagnostic Procedure with Diagnostic Trouble Code (DTC)

AUTOMATIC TRANSMISSION (DIAGNOSTICS)

J: DTC 72 SHIFT SOLENOID 2

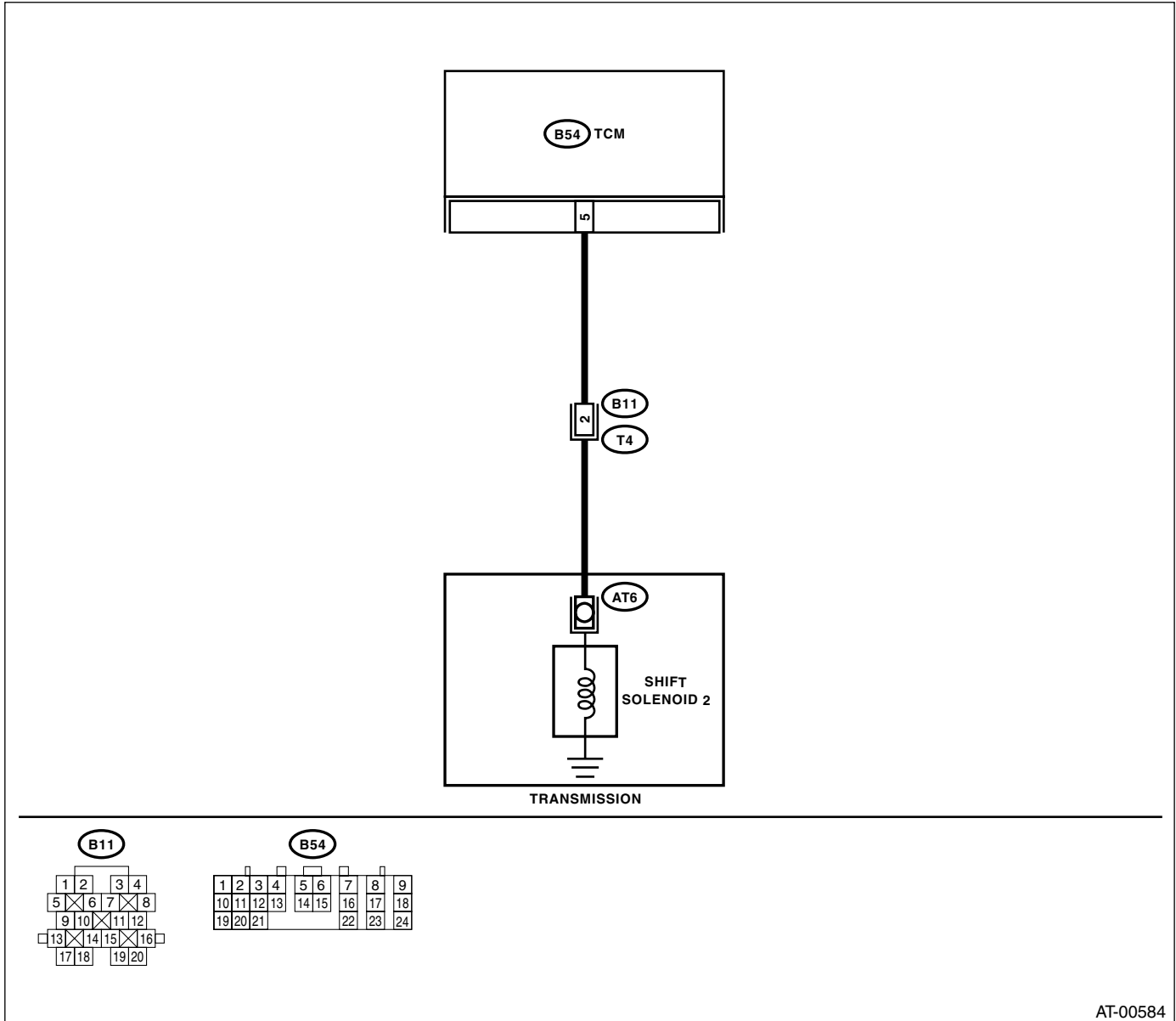
DIAGNOSIS:

The output signal circuit of shift solenoid 2 is open or shorted.

TROUBLE SYMPTOM:

Does not shift.

WIRING DIAGRAM:



AT-00584

Step	Check	Yes	No
1 CHECK HARNESS CONNECTOR BETWEEN TCM AND TRANSMISSION. 1) Turn the ignition switch to OFF. 2) Disconnect the connector from TCM and transmission. 3) Measure the resistance of harness between TCM and shift solenoid 2 connector. Connector & terminal (B54) No. 5 — (B11) No. 2:	Is the resistance less than 1 Ω?	Go to step 2.	Repair the open circuit in harness between TCM and transmission connector.

Diagnostic Procedure with Diagnostic Trouble Code (DTC)

AUTOMATIC TRANSMISSION (DIAGNOSTICS)

Step	Check	Yes	No
<p>2 CHECK HARNESS CONNECTOR BETWEEN TCM AND TRANSMISSION. Measure the resistance of harness between TCM connector and chassis ground. Connector & terminal (B54) No. 5 — Chassis ground:</p>	Is the resistance more than 1 M Ω ?	Go to step 3.	Repair the short circuit in harness between TCM and transmission connector.
<p>3 CHECK SHIFT SOLENOID 2. Measure the resistance between transmission connector terminals. Connector & terminal (T4) No. 2 — No. 16:</p>	Is the resistance 10 — 16 Ω ?	Go to step 4.	Go to step 6.
<p>4 CHECK OUTPUT SIGNAL EMITTED FROM TCM. 1)Connect the connectors to TCM and transmission. 2)Lift-up or raise the vehicle and support with safety stand. NOTE: On AWD models, raise all wheels off ground. 3)Start the engine and warm-up the transmission until ATF temperature is above 80°C (176°F). NOTE: If ambient temperature is below 0°C (32°F), drive the vehicle until ATF reaches its operating temperature. 4)Move the selector lever to "D" range, and slowly increase vehicle speed to 50 km/h (31 MPH). NOTE: The speed difference between front and rear wheels may light the ABS warning light, but this indicates no malfunction. When AT control diagnosis is finished, perform the ABS memory clearance procedure of on-board diagnostics system. <Ref. to ABS(diag)-21, Clear Memory Mode.> 5)Measure the voltage between TCM connector and chassis ground. Connector & terminal (B54) No. 5 (+) — Chassis ground (-):</p>	Is the voltage less than 1 V?	Even if the POWER indicator blinks, the circuit has returned to a normal condition at this time. A temporary poor contact of the connector or harness may be the cause. Repair the harness or connector in TCM and transmission.	Go to step 5.
<p>5 CHECK POOR CONTACT.</p>	Is there poor contact in shift solenoid 2 circuit?	Repair the poor contact.	Replace the TCM. <Ref. to 4AT-74, Transmission Control Module (TCM).>
<p>6 CHECK SHIFT SOLENOID 2 (IN TRANSMISSION). 1)Remove the transmission connector from bracket. 2)Drain the ATF. CAUTION: Do not drain the ATF until it cools down. 3)Remove the oil pan, and disconnect connector from shift solenoid 2. 4)Measure the resistance of shift solenoid 2. Connector & terminal No. 1 — Transmission ground:</p>	Is the resistance 10 — 16 Ω ?	Go to step 7.	Replace the shift solenoid 2. <Ref. to 4AT-68, Shift Solenoids, Duty Solenoids and ATF Temperature Sensor.>

Diagnostic Procedure with Diagnostic Trouble Code (DTC)

AUTOMATIC TRANSMISSION (DIAGNOSTICS)

Step	Check	Yes	No
7 CHECK HARNESS CONNECTOR BETWEEN SHIFT SOLENOID 2 AND TRANSMISSION. Measure the resistance of harness between shift solenoid 2 and transmission connector. Connector & terminal (AT6) No. 1 — (T4) No. 2:	Is the resistance less than 1 Ω ?	Go to step 8 .	Repair the open circuit in harness between shift solenoid 2 and transmission connector.
8 CHECK HARNESS CONNECTOR BETWEEN SHIFT SOLENOID 2 AND TRANSMISSION. Measure the resistance of harness between shift solenoid 2 connector and transmission ground. Connector & terminal (T4) No. 2 — Transmission ground:	Is the resistance more than 1 $M\Omega$?	Even if the POWER indicator blinks, the circuit has returned to a normal condition at this time. A temporary poor contact of the connector or harness may be the cause. Repair the harness or connector in shift solenoid 2 and transmission.	Repair the short circuit harness between shift solenoid 2 and transmission connector.

K: DTC 73 LOW CLUTCH TIMING SOLENOID

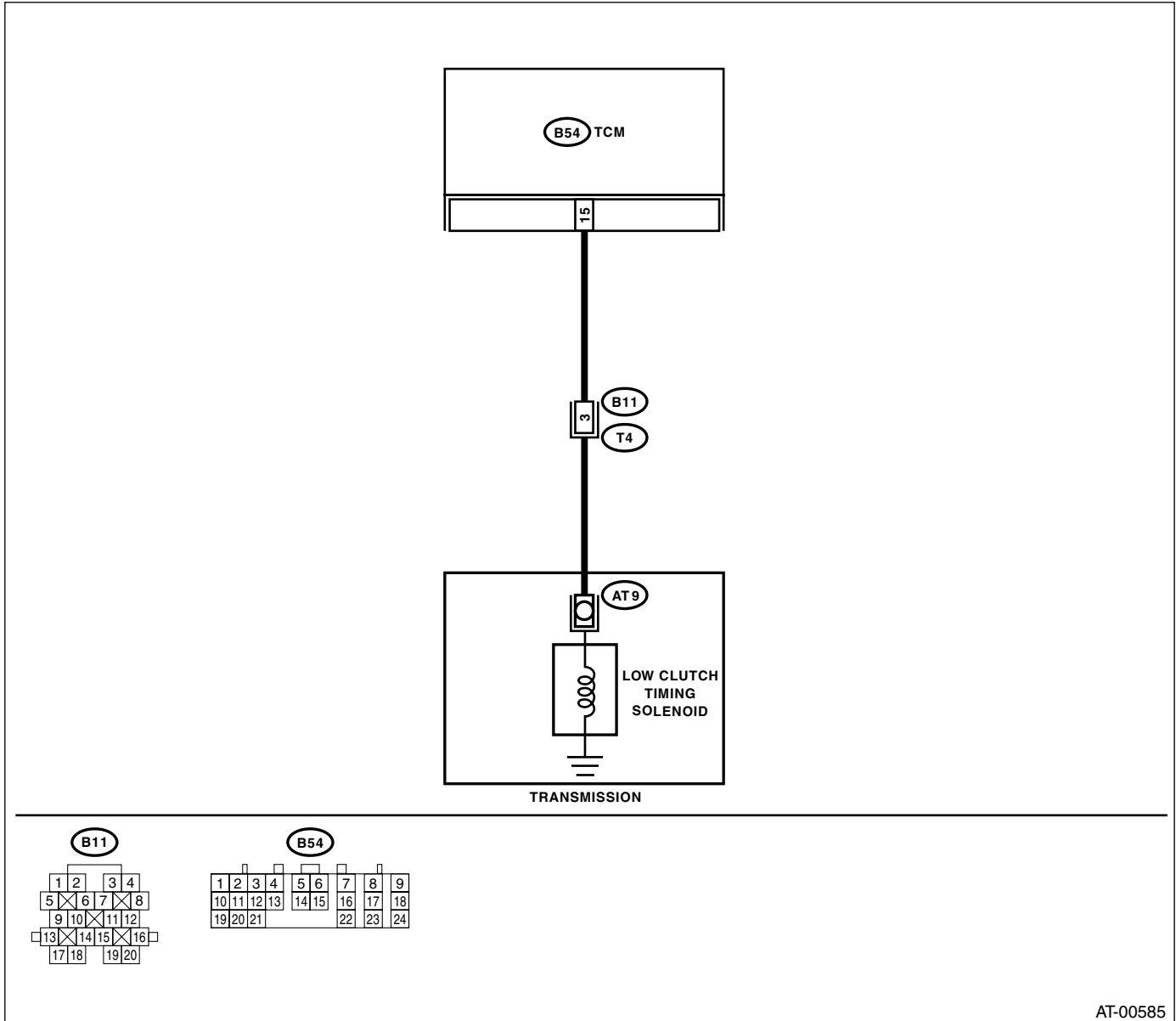
DIAGNOSIS:

The output signal circuit of low clutch timing solenoid is open or shorted.

TROUBLE SYMPTOM:

Excessive shift shock.

WIRING DIAGRAM:



Step	Check	Yes	No
<p>1</p> <p>CHECK HARNESS CONNECTOR BETWEEN TCM AND TRANSMISSION.</p> <p>1) Turn the ignition switch to OFF.</p> <p>2) Disconnect the connector from TCM and transmission.</p> <p>3) Measure the resistance of harness between TCM and transmission connector.</p> <p>Connector & terminal (B54) No. 15 — (B11) No. 3:</p>	<p>Is the resistance less than 1 Ω?</p>	<p>Go to step 2.</p>	<p>Repair the open circuit in harness between TCM and transmission connector.</p>

Diagnostic Procedure with Diagnostic Trouble Code (DTC)

AUTOMATIC TRANSMISSION (DIAGNOSTICS)

Step	Check	Yes	No
2 CHECK HARNESS CONNECTOR BETWEEN TCM AND TRANSMISSION. Measure the resistance of harness between TCM connector and transmission ground. <i>Connector & terminal</i> <i>(B54) No. 15 — Chassis ground:</i>	Is the resistance more than 1 M Ω ?	Go to step 3.	Repair the short circuit in harness between TCM and transmission connector.
3 CHECK LOW CLUTCH TIMING SOLENOID. Measure the resistance between transmission connector terminals. <i>Connector & terminal</i> <i>(T4) No. 3 — No. 16:</i>	Is the resistance 10 — 16 Ω ?	Go to step 4.	Go to step 7.
4 CHECK OUTPUT SIGNAL EMITTED FROM TCM. 1)Connect the connectors to TCM and transmission. 2)Turn the ignition switch to ON (engine OFF). 3)Move the select lever to "D" range. 4)Measure the voltage between TCM connector and chassis ground. <i>Connector & terminal</i> <i>(B54) No. 15 (+) — Chassis ground (-):</i>	Is the voltage more than 9 V?	Go to step 5.	Go to step 6.
5 CHECK OUTPUT SIGNAL EMITTED FROM TCM. 1)Turn the HOLD mode switch to ON. 2)Measure the voltage between TCM connector and chassis ground. <i>Connector & terminal</i> <i>(B54) No. 15 (+) — Chassis ground (-):</i>	Is the voltage less than 1 V?	Even if the POWER indicator light blinks, the circuit has returned to a normal condition at this time. A temporary poor contact of the connector or harness may be the cause. Repair the harness or contact in TCM and transmission.	Go to step 6.
6 CHECK POOR CONTACT.	Is there poor contact in low clutch timing solenoid circuit?	Repair the poor contact.	Replace the TCM. <Ref. to 4AT-74, Transmission Control Module (TCM).>
7 CHECK LOW CLUTCH TIMING SOLENOID (IN TRANSMISSION). 1)Remove the transmission connector from bracket. 2)Lift-up or raise the vehicle and support with safety stand. NOTE: On AWD models, raise all wheels off ground. 3)Drain the ATF. CAUTION: Do not drain the ATF until it cools down. 4)Remove the oil pan, and disconnect connector from low clutch timing solenoid. 5)Measure the resistance between low clutch timing solenoid connector and transmission ground. <i>Terminals</i> <i>No. 1 — Transmission ground:</i>	Is the resistance 10 — 16 Ω ?	Go to step 8.	Replace the low clutch timing solenoid. <Ref. to 4AT-68, Shift Solenoids, Duty Solenoids and ATF Temperature Sensor.>

Diagnostic Procedure with Diagnostic Trouble Code (DTC)

AUTOMATIC TRANSMISSION (DIAGNOSTICS)

Step	Check	Yes	No
8 CHECK HARNESS CONNECTOR BETWEEN LOW CLUTCH TIMING SOLENOID AND TRANSMISSION. Measure the resistance of harness between low clutch timing solenoid and transmission connector. <i>Connector & terminal</i> <i>(AT9) No. 1 — (T4) No. 3:</i>	Is the resistance less than 1 Ω ?	Go to step 9.	Repair the open circuit in harness between low clutch timing solenoid and transmission connector.
9 CHECK HARNESS CONNECTOR BETWEEN LOW CLUTCH TIMING SOLENOID AND TRANSMISSION. Measure the resistance of harness between low clutch timing solenoid connector and transmission ground. <i>Connector & terminal</i> <i>(T4) No. 3 — Transmission ground:</i>	Is the resistance more than 1 $M\Omega$?	Even if the POWER indicator light blinks, the circuit has returned to a normal condition at this time. A temporary poor contact of the connector or harness may be the cause. Repair the harness or connector in low clutch timing solenoid and transmission.	Repair the short circuit harness between low clutch timing solenoid and transmission connector.

Diagnostic Procedure with Diagnostic Trouble Code (DTC)

AUTOMATIC TRANSMISSION (DIAGNOSTICS)

L: DTC 74 2-4 BRAKE TIMING SOLENOID

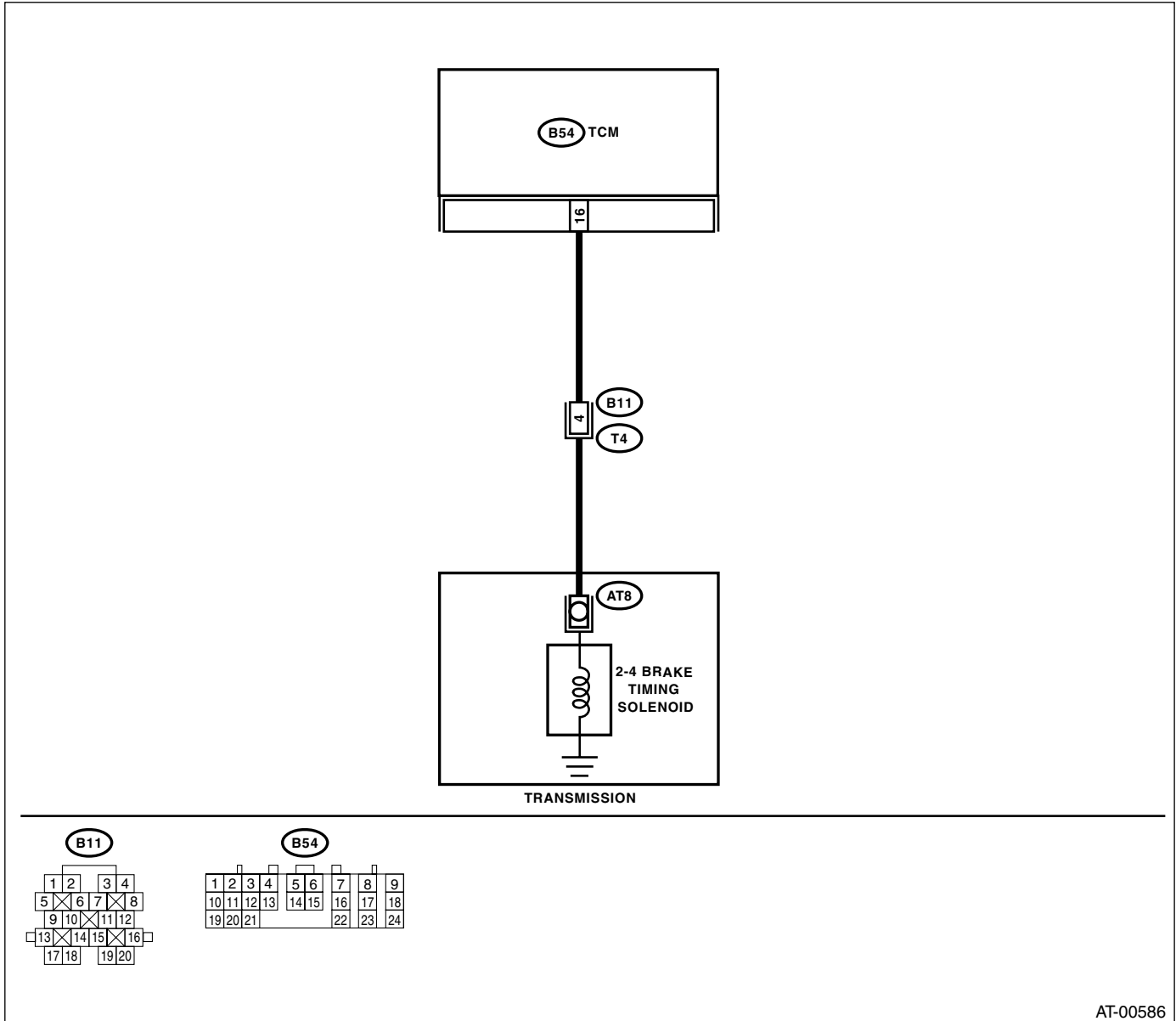
DIAGNOSIS:

The output signal circuit of 2-4 brake timing solenoid is open or shorted.

TROUBLE SYMPTOM:

Excessive shift shock.

WIRING DIAGRAM:



AT-00586

Step	Check	Yes	No
1 CHECK HARNESS CONNECTOR BETWEEN TCM AND TRANSMISSION. 1) Turn the ignition switch to OFF. 2) Disconnect the connector from TCM and transmission. 3) Measure the resistance of harness between TCM and transmission connector. Connector & terminal (B54) No. 16 — (B11) No. 4:	Is the resistance less than 1 Ω?	Go to step 2.	Repair the open circuit in harness between TCM and transmission connector.

Diagnostic Procedure with Diagnostic Trouble Code (DTC)

AUTOMATIC TRANSMISSION (DIAGNOSTICS)

Step	Check	Yes	No
<p>2 CHECK HARNESS CONNECTOR BETWEEN TCM AND TRANSMISSION. Measure the resistance of harness between TCM connector and transmission ground. Connector & terminal (B54) No. 16 — Transmission ground:</p>	Is the resistance more than 1 MΩ?	Go to step 3.	Repair the short circuit in harness between TCM and transmission connector.
<p>3 CHECK 2-4 BRAKE TIMING SOLENOID. Measure the resistance between transmission connector terminals. Connector & terminal (T4) No. 4 — No. 16:</p>	Is the resistance 10 — 16 Ω?	Go to step 4.	Go to step 7.
<p>4 CHECK OUTPUT SIGNAL EMITTED FROM TCM. 1)Connect the connectors to TCM and transmission. 2)Lift-up or raise the vehicle and support with safety stand. NOTE: On AWD models, raise all wheels off ground. 3)Start the engine and warm-up the transmission until ATF temperature is above 80°C (176°F). NOTE: If ambient temperature is below 0°C (32°F), drive the vehicle until ATF reaches its operating temperature. 4)Move the selector lever to “1” range, and slowly increase vehicle speed to 10 km/h (6 MPH). NOTE: The speed difference between front and rear wheels may light the ABS warning light, but this indicates no malfunction. When AT control diagnosis is finished, perform the ABS memory clearance procedure of on-board diagnostics system. <Ref. to ABS(diag)-21, Clear Memory Mode.> 5)Measure the voltage between TCM connector and chassis ground. Connector & terminal (B54) No. 16 (+) — Chassis ground (-):</p>	Is the voltage less than 1 V?	Go to step 5.	Go to step 6.
<p>5 CHECK OUTPUT SIGNAL EMITTED FROM TCM. 1)Move the selector lever to “D” range, and slowly increase vehicle speed to 65 km/h (40 MPH). NOTE: The speed difference between front and rear wheels may light the ABS warning light, but this indicates no malfunction. When AT control diagnosis is finished, perform the ABS memory clearance procedure of on-board diagnostics system. <Ref. to ABS(diag)-21, Clear Memory Mode.> 2)Measure the voltage between TCM connector and chassis ground. Connector & terminal (B54) No. 16 (+) — Chassis ground (-):</p>	Is the voltage more than 9 V?	Even if the POWER indicator light blinks, the circuit has returned to a normal condition at this time. A temporary poor contact of the connector or harness may be the cause. Repair the harness or contact in transmission.	Go to step 6.

Diagnostic Procedure with Diagnostic Trouble Code (DTC)

AUTOMATIC TRANSMISSION (DIAGNOSTICS)

Step	Check	Yes	No
6 CHECK POOR CONTACT.	Is there poor contact in 2-4 brake timing solenoid circuit?	Repair the poor contact.	Replace the TCM. <Ref. to 4AT-74, Transmission Control Module (TCM).>
7 CHECK 2-4 BRAKE TIMING SOLENOID (IN TRANSMISSION). 1)Remove the transmission connector from bracket. 2)Lift-up or raise the vehicle and support with safety stand. NOTE: On AWD models, raise all wheels off ground. 3)Drain the ATF. CAUTION: Do not drain the ATF until it cools down. 4)Remove the oil pan, and disconnect connector from 2-4 brake timing solenoid. 5)Measure the resistance of 2-4 brake timing solenoid. Terminals No. 1 — Transmission ground:	Is the resistance 10 — 16 Ω ?	Go to step 8 .	Replace the 2-4 brake timing solenoid. <Ref. to 4AT-68, Shift Solenoids, Duty Solenoids and ATF Temperature Sensor.>
8 CHECK HARNESS CONNECTOR BETWEEN 2-4 BRAKE TIMING SOLENOID AND TRANSMISSION. Measure the resistance of harness between 2-4 brake timing solenoid and transmission connector. Connector & terminal (AT8) No. 1 — (T4) No. 4:	Is the resistance less than 1 Ω ?	Go to step 9 .	Repair the open circuit in harness between 2-4 brake timing solenoid and transmission connector.
9 CHECK HARNESS CONNECTOR BETWEEN 2-4 BRAKE TIMING SOLENOID AND TRANSMISSION. Measure the resistance of harness between 2-4 brake timing solenoid connector and transmission ground. Connector & terminal (T4) No. 4 — Transmission ground:	Is the resistance more than 1 M Ω ?	Even if the POWER indicator light blinks, the circuit has returned to a normal condition at this time. A temporary poor contact of the connector or harness may be the cause. Repair the harness or connector in 2-4 brake timing solenoid and transmission.	Repair the short circuit harness between 2-4 brake timing solenoid and transmission connector.

Diagnostic Procedure with Diagnostic Trouble Code (DTC)

AUTOMATIC TRANSMISSION (DIAGNOSTICS)

M: DTC 75 LINE PRESSURE DUTY SOLENOID

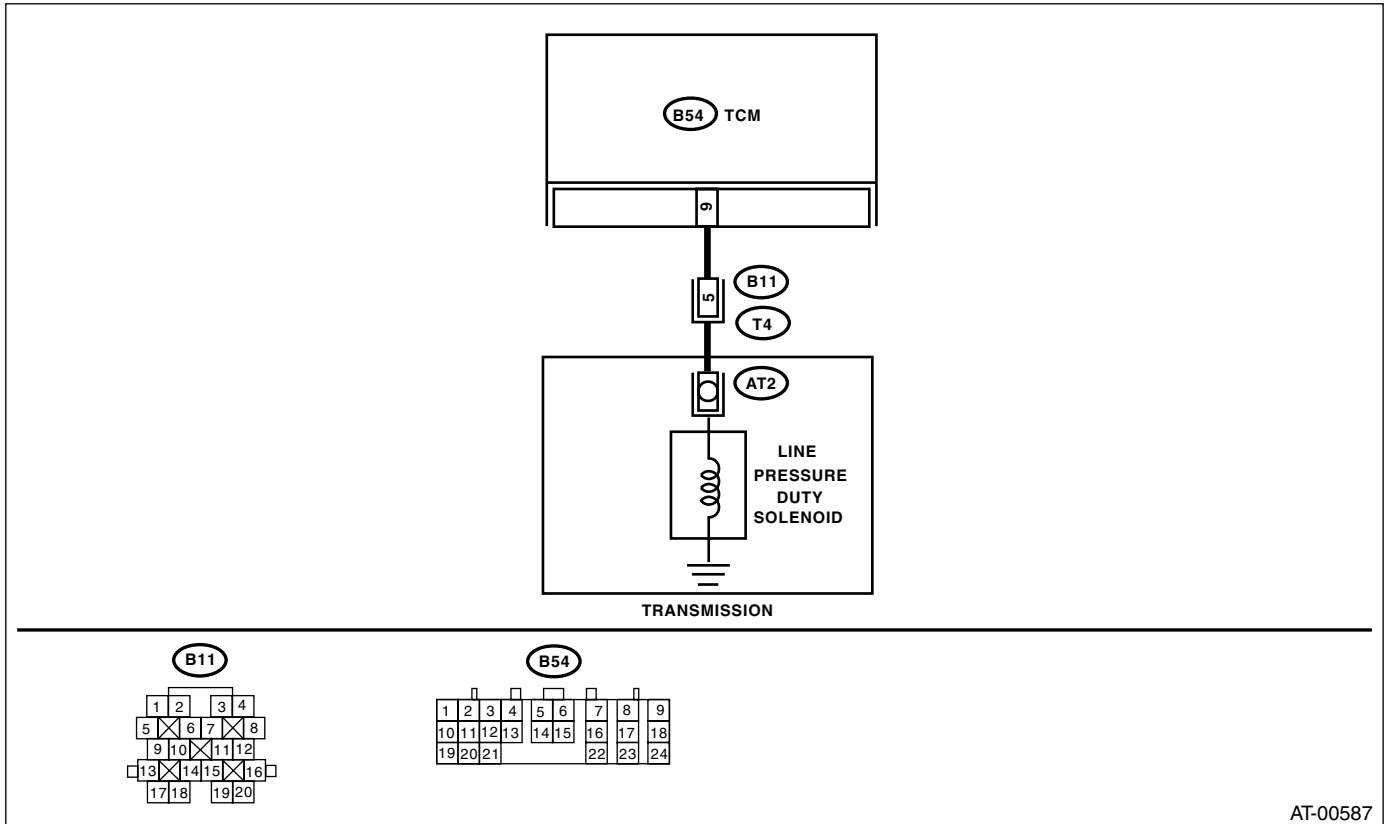
DIAGNOSIS:

The output signal circuit of line pressure duty solenoid is open or shorted.

TROUBLE SYMPTOM:

Excessive shift shock.

WIRING DIAGRAM:



AT-00587

Step	Check	Yes	No	
1	<p>CHECK HARNESS CONNECTOR BETWEEN TCM AND TRANSMISSION.</p> <p>1) Turn the ignition switch to OFF.</p> <p>2) Disconnect the connector from transmission and TCM.</p> <p>3) Measure the resistance of harness between TCM and transmission connector.</p> <p>Connector & terminal (B54) No. 9 — (B11) No. 5:</p>	Is the resistance less than 1 Ω?	Go to step 2.	Repair the open circuit in harness between TCM and transmission connector.
2	<p>CHECK HARNESS CONNECTOR BETWEEN TCM AND CHASSIS GROUND.</p> <p>Measure the resistance of harness between TCM and chassis ground.</p> <p>Connector & terminal (B54) No. 9 — Chassis ground:</p>	Is the resistance more than 1 MΩ?	Go to step 3.	Repair the short circuit in harness between TCM and transmission connector.
3	<p>CHECK LINE PRESSURE DUTY SOLENOID.</p> <p>Measure the resistance between transmission connector receptacle's terminals.</p> <p>Terminals (T4) No. 5 — No. 16:</p>	Is the resistance 2.0 — 4.5 Ω?	Go to step 4.	Go to step 10.
4	<p>PREPARE SUBARU SELECT MONITOR.</p>	Do you have a Subaru Select Monitor?	Go to step 7.	Go to step 5.

Diagnostic Procedure with Diagnostic Trouble Code (DTC)

AUTOMATIC TRANSMISSION (DIAGNOSTICS)

Step	Check	Yes	No
<p>5 CHECK OUTPUT SIGNAL EMITTED FROM TCM.</p> <p>1)Connect all connectors. 2)Start the engine and warm-up the transmission until ATF temperature is above 80°C (176°F). NOTE: If ambient temperature is below 0°C (32°F), drive the vehicle until ATF reaches its operating temperature. 3)Turn the ignition switch to ON (engine OFF). 4)Move the select lever to "N" range. 5)Throttle fully closed. 6)Measure the voltage between TCM connector and chassis ground. Connector & terminal (B54) No. 9 (+) — Chassis ground (-):</p>	Is the voltage 1.5 — 5.0 V?	Go to step 6.	Go to step 9.
<p>6 CHECK OUTPUT SIGNAL EMITTED FROM TCM.</p> <p>1)Throttle fully open and hold it. 2)Measure the voltage between TCM connector and chassis ground. Connector & terminal (B54) No. 9 (+) — Chassis ground (-):</p>	Is the voltage less than 1 V?	Even if the POWER indicator light blinks, the circuit has returned to a normal condition at this time. A temporary poor contact of the connector or harness may be the cause. Repair the harness or connector in transmission.	Go to step 9.
<p>7 CHECK OUTPUT SIGNAL EMITTED FROM TCM USING SUBARU SELECT MONITOR.</p> <p>1)Connect the connectors to TCM and transmission. 2)Connect the Subaru Select Monitor to data link connector. 3)Start the engine and turn Subaru Select Monitor switch to ON. 4)Warm-up the transmission until ATF temperature is above 80°C (176°F). NOTE: If ambient temperature is below 0°C (32°F), drive the vehicle until ATF reaches its operating temperature. 5)Stop the engine and turn ignition switch to ON (engine OFF). 6)Move the select lever to "N" range. 7)Throttle is fully closed. •Line pressure duty solenoid is indicated in "%". 8)Read the data of line pressure duty solenoid using Subaru Select Monitor.</p>	Is the value 100%?	Go to step 8.	Go to step 9.

Diagnostic Procedure with Diagnostic Trouble Code (DTC)

AUTOMATIC TRANSMISSION (DIAGNOSTICS)

Step	Check	Yes	No
8 CHECK OUTPUT SIGNAL EMITTED FROM TCM USING SUBARU SELECT MONITOR. 1) Turn the ignition switch to ON (engine OFF). 2) Throttle is fully open.	Is the value less than 25%?	Even if the POWER indicator light blinks, the circuit has returned to a normal condition at this time. A temporary poor contact of the connector or harness may be the cause. Repair the harness or connector in transmission.	Go to step 9.
9 CHECK POOR CONTACT.	Is there poor contact in line pressure duty solenoid circuit?	Repair the poor contact.	Replace the TCM. <Ref. to 4AT-74, Transmission Control Module (TCM).>
10 CHECK LINE PRESSURE DUTY SOLENOID (IN TRANSMISSION). 1) Remove the transmission connector from bracket. 2) Drain the ATF. CAUTION: Do not drain the ATF until it cools down. 3) Remove the oil pan, and disconnect connector from line pressure duty solenoid. 4) Measure the resistance of line pressure duty solenoid. Terminals No. 1 — Transmission ground:	Is the resistance 2.0 — 4.5 Ω?	Go to step 11.	Replace the line pressure duty solenoid. <Ref. to 4AT-68, Shift Solenoids, Duty Solenoids and ATF Temperature Sensor.>
11 CHECK HARNESS CONNECTOR BETWEEN TRANSMISSION AND LINE PRESSURE DUTY SOLENOID. Measure the resistance of harness between line pressure duty solenoid and transmission connector. Connector & terminal (T4) No. 5 — (AT2) No. 1:	Is the resistance less than 1 Ω?	Go to step 12.	Repair the open circuit in harness between line pressure duty solenoid and transmission connector.
12 CHECK HARNESS CONNECTOR BETWEEN TRANSMISSION AND LINE PRESSURE DUTY SOLENOID. Measure the resistance of harness between transmission connector and transmission ground. Connector & terminal (T4) No. 5 — Transmission ground:	Is the resistance more than 1 MΩ?	Even if the POWER indicator light blinks, the circuit has returned to a normal condition at this time. A temporary poor contact of the connector or harness may be the cause. Repair the harness or connector in line pressure duty solenoid and transmission.	Repair the short circuit in harness between line pressure duty solenoid and transmission connector.

Diagnostic Procedure with Diagnostic Trouble Code (DTC)

AUTOMATIC TRANSMISSION (DIAGNOSTICS)

N: DTC 76 2-4 BRAKE DUTY SOLENOID

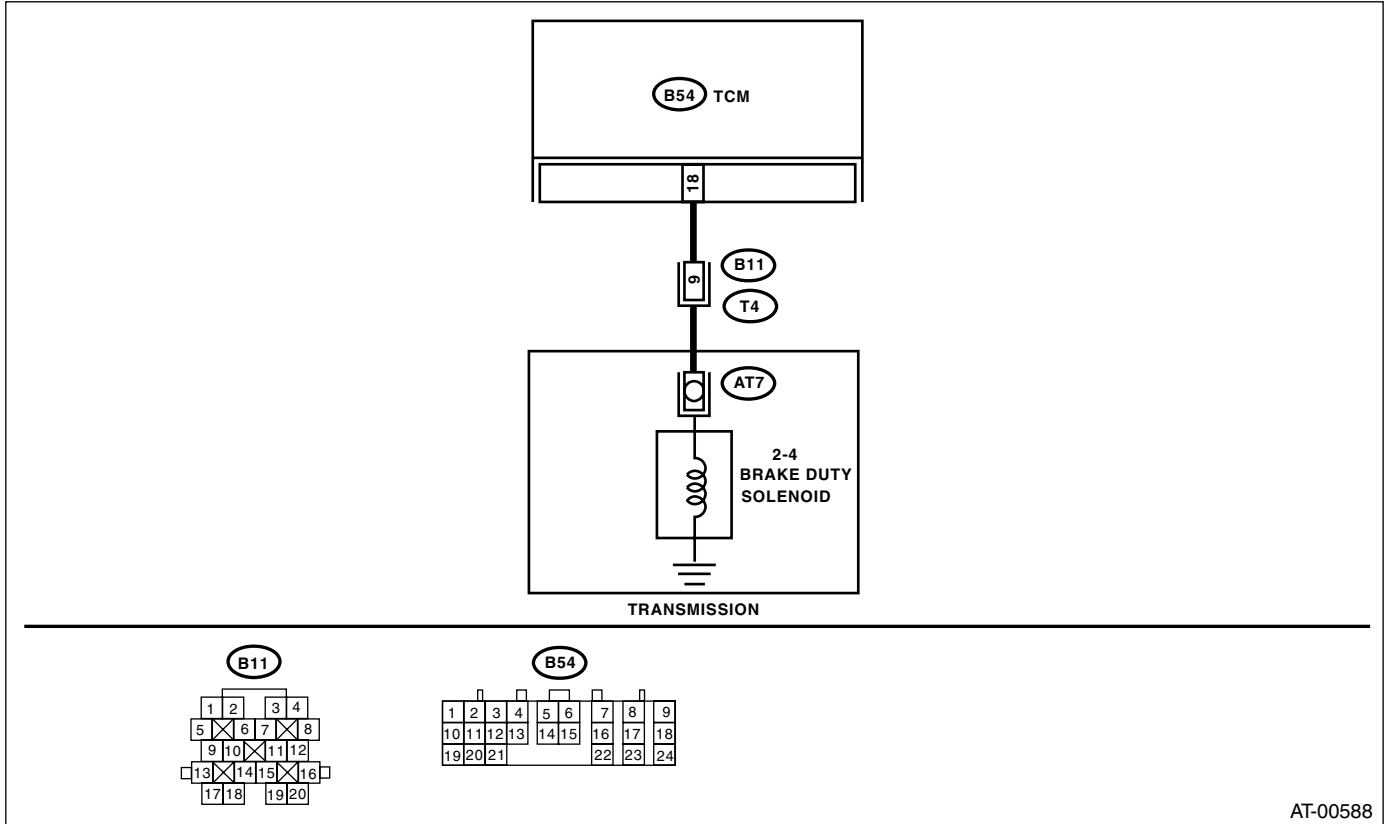
DIAGNOSIS:

The output signal circuit of 2-4 brake duty solenoid is open or shorted.

TROUBLE SYMPTOM:

Excessive shift shock.

WIRING DIAGRAM:



AT-00588

Step	Check	Yes	No
1 CHECK HARNESS CONNECTOR BETWEEN TCM AND TRANSMISSION. 1) Turn the ignition switch to OFF. 2) Disconnect the connector from transmission and TCM. 3) Measure the resistance of harness between TCM and transmission connector. <i>Connector & terminal</i> <i>(B54) No. 18 — (B11) No. 9:</i>	Is the resistance less than 1 Ω ?	Go to step 2.	Repair the open circuit in harness between TCM and transmission connector.
2 CHECK HARNESS CONNECTOR BETWEEN TCM AND CHASSIS GROUND. Measure the resistance of harness between TCM and chassis ground. <i>Connector & terminal</i> <i>(B54) No. 18 — Chassis ground:</i>	Is the resistance more than 1 M Ω ?	Go to step 3.	Repair the short circuit in harness between TCM and transmission connector.
3 CHECK 2-4 BRAKE DUTY SOLENOID. Measure the resistance between transmission connector receptacle's terminals. <i>Terminals</i> <i>(T4) No. 16 — No. 9:</i>	Is the resistance 2.0 — 4.5 Ω ?	Go to step 4.	Go to step 10.
4 PREPARE SUBARU SELECT MONITOR.	Do you have a Subaru Select Monitor?	Go to step 7.	Go to step 5.

Diagnostic Procedure with Diagnostic Trouble Code (DTC)

AUTOMATIC TRANSMISSION (DIAGNOSTICS)

Step	Check	Yes	No
<p>5 CHECK OUTPUT SIGNAL EMITTED FROM TCM.</p> <p>1)Connect all connectors. 2)Start the engine and warm-up the transmission until ATF temperature is above 80°C (176°F). NOTE: If ambient temperature is below 0°C (32°F), drive the vehicle until ATF reaches its operating temperature. 3)Turn the ignition switch to ON (engine OFF). 4)Move the select lever to "N" range. 5)Throttle fully closed. 6)Measure the voltage between TCM connector and chassis ground. Connector & terminal (B54) No. 18 (+) — Chassis ground (-):</p>	Is the voltage 1.5 — 5.0 V?	Go to step 6.	Go to step 9.
<p>6 CHECK OUTPUT SIGNAL EMITTED FROM TCM.</p> <p>1)Throttle fully open and hold it. 2)Measure the voltage between TCM connector and chassis ground. Connector & terminal (B54) No. 18 (+) — Chassis ground (-):</p>	Is the voltage less than 1 V?	Even if the POWER indicator light blinks, the circuit has returned to a normal condition at this time. A temporary poor contact of the connector or harness may be the cause. Repair the harness or connector in TCM and transmission.	Go to step 9.
<p>7 CHECK OUTPUT SIGNAL EMITTED FROM TCM USING SUBARU SELECT MONITOR.</p> <p>1)Connect all connectors. 2)Connect the Subaru Select Monitor to data link connector. 3)Start the engine and turn Subaru Select Monitor switch to ON. 4)Warm-up the transmission until ATF temperature is above 80°C (176°F). NOTE: If ambient temperature is below 0°C (32°F), drive the vehicle until ATF reaches its operating temperature. 5)Stop the engine and turn ignition switch to ON (engine OFF). 6)Move the select lever to "N" range. 7)Throttle is fully closed. •2-4 brake duty solenoid is indicated in "%". 8)Read the data of 2-4 brake duty solenoid using Subaru Select Monitor.</p>	Is the value 100%?	Go to step 8.	Go to step 9.

Diagnostic Procedure with Diagnostic Trouble Code (DTC)

AUTOMATIC TRANSMISSION (DIAGNOSTICS)

Step	Check	Yes	No
8 CHECK OUTPUT SIGNAL EMITTED FROM TCM USING SUBARU SELECT MONITOR. 1) Turn the ignition switch to ON (engine OFF). 2) Throttle is fully open.	Is the value less than 25%?	Even if the POWER indicator light blinks, the circuit has returned to a normal condition at this time. A temporary poor contact of the connector or harness may be the cause. Repair the harness or connector in TCM and transmission.	Go to step 9.
9 CHECK POOR CONTACT.	Is there poor contact in 2-4 brake duty solenoid circuit?	Repair the poor contact.	Replace the TCM. <Ref. to 4AT-74, Transmission Control Module (TCM).>
10 CHECK 2-4 BRAKE DUTY SOLENOID (IN TRANSMISSION). 1) Remove the transmission connector from bracket. 2) Drain the ATF. CAUTION: Do not drain the ATF until it cools down. 3) Remove the oil pan, and disconnect connector from 2-4 brake duty solenoid. 4) Measure the resistance of 2-4 brake duty solenoid. Terminals No. 1 — Transmission ground:	Is the resistance 2.0 — 4.5 Ω ?	Go to step 11.	Replace the 2-4 brake duty solenoid. <Ref. to 4AT-68, Shift Solenoids, Duty Solenoids and ATF Temperature Sensor.>
11 CHECK HARNESS CONNECTOR BETWEEN TRANSMISSION AND 2-4 BRAKE DUTY SOLENOID. Measure the resistance of harness between 2-4 brake duty solenoid and transmission connector. Connector & terminal (T4) No. 9 — (AT7) No. 1:	Is the resistance less than 1 Ω ?	Go to step 12.	Repair the open circuit in harness between 2-4 brake duty solenoid and transmission connector.
12 CHECK HARNESS CONNECTOR BETWEEN TRANSMISSION AND 2-4 BRAKE DUTY SOLENOID. Measure the resistance of harness between transmission connector and transmission ground. Connector & terminal (T4) No. 9 — Transmission ground:	Is the resistance more than 1 M Ω ?	Even if the POWER indicator light blinks, the circuit has returned to a normal condition at this time. A temporary poor contact of the connector or harness may be the cause. Repair the harness or connector in line pressure duty solenoid and transmission.	Repair the short circuit in harness between 2-4 brake duty solenoid and transmission connector.

Diagnostic Procedure with Diagnostic Trouble Code (DTC)

AUTOMATIC TRANSMISSION (DIAGNOSTICS)

O: DTC 77 LOCK-UP DUTY SOLENOID

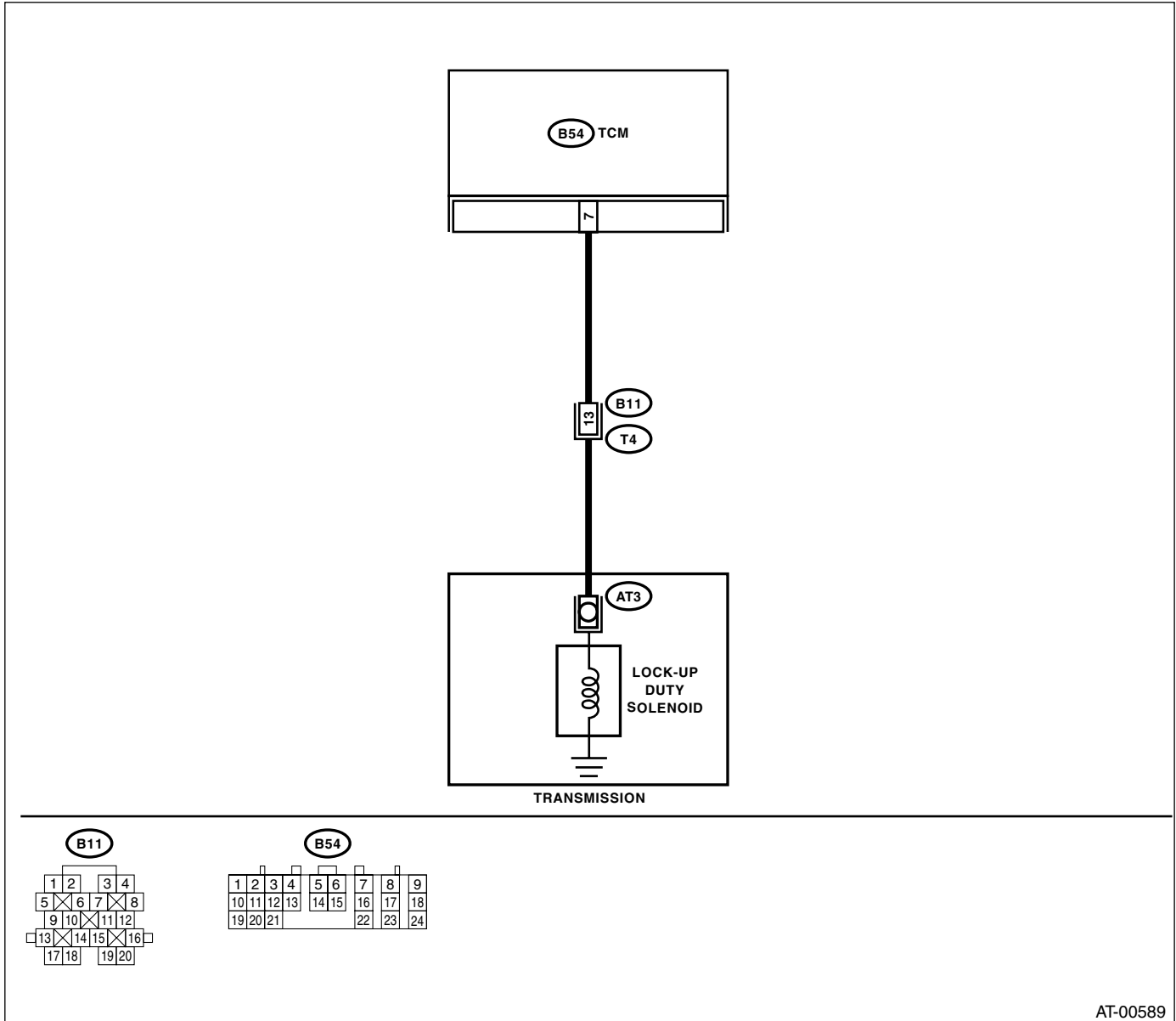
DIAGNOSIS:

The output signal circuit of lock-up duty solenoid is open or shorted.

TROUBLE SYMPTOM:

No "lock-up" (after engine warm-up).

WIRING DIAGRAM:



	Step	Check	Yes	No
1	CHECK DTC.	Do multiple DTCs appear in the on-board diagnostics test mode?	Go to another DTC.	Go to step 2.

Diagnostic Procedure with Diagnostic Trouble Code (DTC)

AUTOMATIC TRANSMISSION (DIAGNOSTICS)

Step	Check	Yes	No
2 CHECK HARNESS CONNECTOR BETWEEN TCM AND TRANSMISSION. 1) Turn the ignition switch to OFF. 2) Disconnect the connector from TCM and transmission. 3) Measure the resistance of harness between TCM and transmission connector. <i>Connector & terminal</i> <i>(B54) No. 7 — (B11) No. 13:</i>	Is the resistance less than 1 Ω ?	Go to step 3.	Repair the open circuit in harness between TCM and transmission connector.
3 CHECK HARNESS CONNECTOR BETWEEN TCM AND TRANSMISSION. Measure the resistance of harness connector between TCM and chassis ground. <i>Connector & terminal</i> <i>(B54) No. 7 — Chassis ground:</i>	Is the resistance more than 1 M Ω ?	Go to step 4.	Repair the short circuit in harness between TCM and transmission connector.
4 CHECK LOCK-UP DUTY SOLENOID. Measure the resistance between transmission connector receptacle's terminals. <i>Connector & terminal</i> <i>(T4) No. 13 — No. 16:</i>	Is the resistance 10 — 17 Ω ?	Go to step 5.	Go to step 11.
5 PREPARE SUBARU SELECT MONITOR.	Do you have a Subaru Select Monitor?	Go to step 8.	Go to step 6.
6 CHECK OUTPUT SIGNAL EMITTED FROM TCM. 1) Connect the connectors to TCM and transmission. 2) Lift-up the vehicle and place safety stand. NOTE: On AWD models, raise all wheels off ground. 3) Start the engine and warm-up the transmission until ATF temperature is above 80°C (176°F). NOTE: If ambient temperature is below 0°C (32°F), drive the vehicle until ATF reaches its operating temperature. 4) Move the selector lever to "D" range and slowly increase vehicle speed to 60 km/h (37 MPH). Wheels will lock-up. NOTE: The speed difference between front and rear wheels may light the ABS warning light, but this indicates no malfunction. When AT control diagnosis is finished, perform the ABS memory clearance procedure of on-board diagnostics system. <Ref. to ABS(diag)-21, Clear Memory Mode.> 5) Measure the voltage between TCM connector and chassis ground. <i>Connector & terminal</i> <i>(B54) No. 7 (+) — Chassis ground (-):</i>	Is the voltage more than 8.5 V?	Go to step 7.	Go to step 10.

Diagnostic Procedure with Diagnostic Trouble Code (DTC)

AUTOMATIC TRANSMISSION (DIAGNOSTICS)

Step	Check	Yes	No
<p>7</p> <p>CHECK OUTPUT SIGNAL EMITTED FROM TCM.</p> <p>1)Return the engine to idling speed and move select lever to “N” range.</p> <p>2)Measure the voltage between TCM connector and chassis ground.</p> <p>Connector & terminal (B54) No. 7 (+) — Chassis ground (-):</p>	<p>Is the voltage less than 0.5 V?</p>	<p>Even if the POWER indicator light blinks, the circuit has returned to a normal condition at this time. A temporary poor contact of the connector or harness may be the cause. Repair the harness or connector in TCM and transmission.</p>	<p>Go to step 10.</p>
<p>8</p> <p>CHECK OUTPUT SIGNAL EMITTED FROM TCM USING SUBARU SELECT MONITOR.</p> <p>1)Connect the connectors to TCM and transmission.</p> <p>2)Lift-up the vehicle and place safety stand.</p> <p>NOTE: On AWD models, raise all wheels off ground.</p> <p>3)Connect the Subaru Select Monitor to data link connector.</p> <p>4)Start the engine and turn Subaru Select Monitor switch to ON.</p> <p>5)Start the engine and warm-up the transmission until ATF temperature is above 80°C (176°F).</p> <p>NOTE: If ambient temperature is below 0°C (32°F), drive the vehicle until ATF reaches its operating temperature.</p> <p>6)Read the data of lock-up duty solenoid using Subaru Select Monitor.</p> <ul style="list-style-type: none"> •Lock-up duty solenoid is indicated in “%”. <p>7)Move the selector lever to “D” range and slowly increase vehicle speed to 60 km/h (37 MPH). Wheels will lock-up.</p> <p>NOTE: The speed difference between front and rear wheels may light the ABS warning light, but this indicates no malfunction. When AT control diagnosis is finished, perform the ABS memory clearance procedure of on-board diagnostics system. <Ref. to ABS(diag)-21, Clear Memory Mode.></p>	<p>Is the value 95%?</p>	<p>Go to step 9.</p>	<p>Go to step 10.</p>
<p>9</p> <p>CHECK OUTPUT SIGNAL EMITTED FROM TCM USING SUBARU SELECT MONITOR.</p> <p>Return the engine to idling speed and move selector lever to “N” range.</p> <p>NOTE: The speed difference between front and rear wheels may light the ABS warning light, but this indicates no malfunction. When AT control diagnosis is finished, perform the ABS memory clearance procedure of on-board diagnostics system. <Ref. to ABS(diag)-21, Clear Memory Mode.></p>	<p>Is the value 5%?</p>	<p>Even if the POWER indicator light blinks, the circuit has returned to a normal condition at this time. A temporary poor contact of the connector or harness may be the cause. Repair the harness or connector in TCM and transmission.</p>	<p>Go to step 10.</p>

Diagnostic Procedure with Diagnostic Trouble Code (DTC)

AUTOMATIC TRANSMISSION (DIAGNOSTICS)

Step	Check	Yes	No
10 CHECK POOR CONTACT.	Is there poor contact in lock-up duty solenoid circuit?	Repair poor contact.	Replace the TCM. <Ref. to 4AT-74, Transmission Control Module (TCM).>
11 CHECK LOCK-UP DUTY SOLENOID (IN TRANSMISSION). 1)Remove the transmission connector from bracket. 2)Drain the ATF. CAUTION: Do not drain the ATF until it cools down. 3)Remove the oil pan and disconnect connector from lock-up duty solenoid. 4)Measure the resistance of lock-up duty solenoid. Terminals No. 1 — Transmission ground:	Is the resistance 10 — 17 Ω ?	Go to step 12.	Replace the lock-up duty solenoid. <Ref. to 4AT-68, Shift Solenoids, Duty Solenoids and ATF Temperature Sensor.>
12 CHECK HARNESS CONNECTOR BETWEEN LOCK-UP DUTY SOLENOID AND TRANSMISSION. Measure the resistance of harness between lock-up duty solenoid and transmission connector. Connector & terminal (T4) No. 13 — (AT3) No. 1:	Is the resistance less than 1 Ω ?	Go to step 13.	Repair the open circuit in harness between TCM and transmission connector.
13 CHECK HARNESS CONNECTOR BETWEEN LOCK-UP DUTY SOLENOID AND TRANSMISSION. Measure the resistance of harness between transmission connector and transmission ground. Connector & terminal (T4) No. 13 — Transmission ground:	Is the resistance more than 1 M Ω ?	Even if the POWER indicator light blinks, the circuit has returned to a normal condition at this time. A temporary poor contact of the connector or harness may be the cause. Repair the harness or connector in lock-up duty solenoid and transmission.	Repair the short circuit in harness between lock-up duty solenoid and transmission connector.

Diagnostic Procedure with Diagnostic Trouble Code (DTC)

AUTOMATIC TRANSMISSION (DIAGNOSTICS)

P: DTC 78 SPORT SHIFT SOLENOID

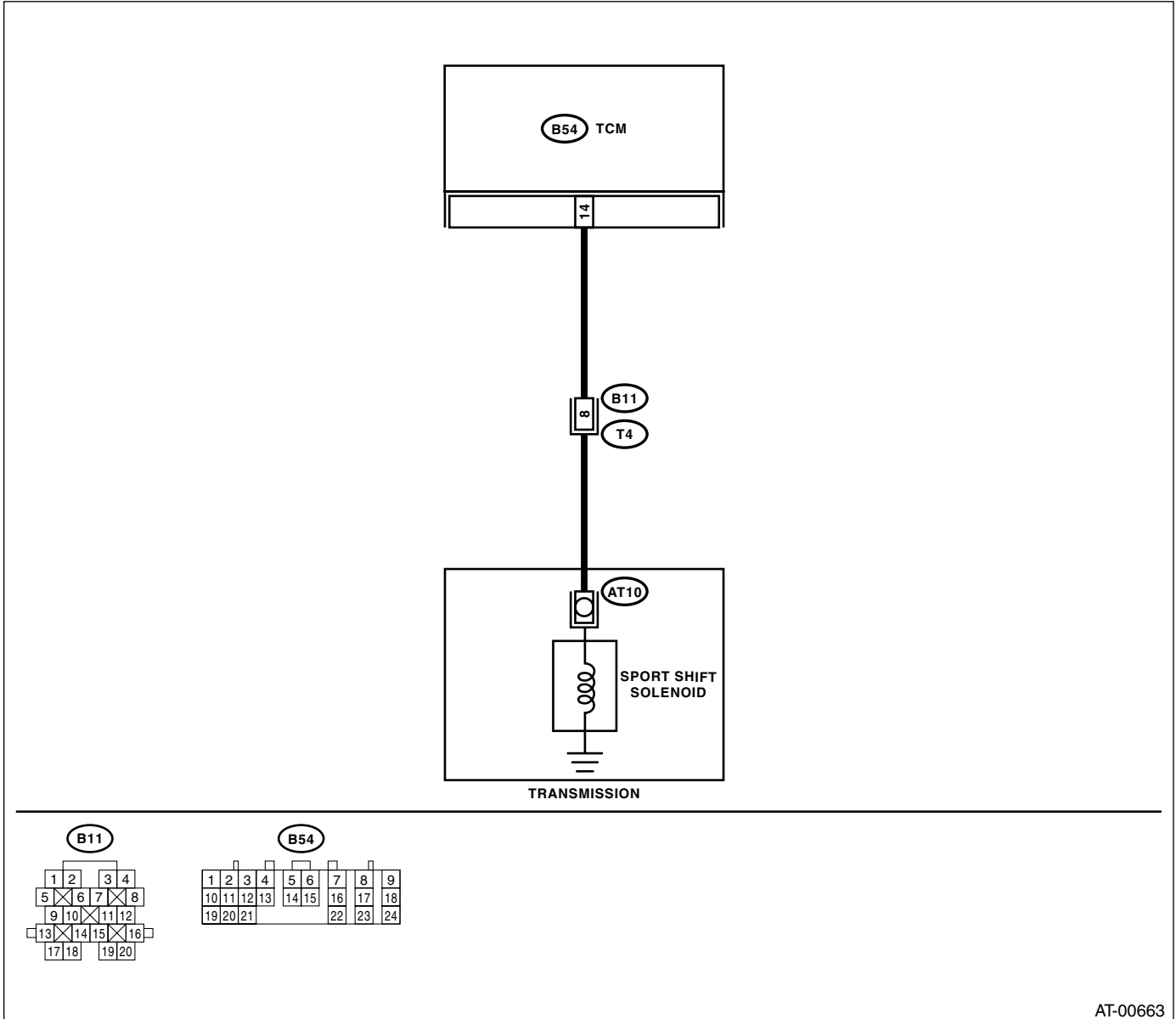
DIAGNOSIS:

Output signal circuit of SPORT shift solenoid is open or shorted.

TROUBLE SYMPTOM:

Engine brake is effective at "D", "3", "2" ranges.

WIRING DIAGRAM:



Diagnostic Procedure with Diagnostic Trouble Code (DTC)

AUTOMATIC TRANSMISSION (DIAGNOSTICS)

Step	Check	Yes	No
1 CHECK HARNESS CONNECTOR BETWEEN TCM AND TRANSMISSION. 1) Turn the ignition switch to OFF. 2) Disconnect the connector from TCM and transmission. 3) Measure the resistance of harness between TCM and SPORT shift solenoid connector. <i>Connector & terminal</i> <i>(B54) No. 14 — (B11) No. 8:</i>	Is the resistance less than 1 Ω ?	Go to step 2.	Repair the open circuit in harness between TCM and transmission connector.
2 CHECK HARNESS CONNECTOR BETWEEN TCM AND TRANSMISSION. Measure the resistance of harness between TCM connector and chassis ground. <i>Connector & terminal</i> <i>(B54) No. 14 — Chassis ground:</i>	Is the resistance more than 1 M Ω ?	Go to step 3.	Repair the short circuit in harness between TCM and transmission connector.
3 CHECK SPORT SHIFT SOLENOID. Measure the resistance between transmission connector terminals. <i>Connector & terminal</i> <i>(T4) No. 8 — No. 16:</i>	Is the resistance 10 — 16 Ω ?	Go to step 4.	Go to step 7.
4 CHECK OUTPUT SIGNAL EMITTED FROM TCM. 1) Connect the connectors to TCM and transmission. 2) Turn the ignition switch to ON (engine OFF). 3) Measure the voltage between TCM connector and chassis ground. <i>Connector & terminal</i> <i>(B54) No. 14 (+) — Chassis ground (-):</i>	Is the voltage more than 9 V?	Go to step 5.	Go to step 6.

Diagnostic Procedure with Diagnostic Trouble Code (DTC)

AUTOMATIC TRANSMISSION (DIAGNOSTICS)

Step	Check	Yes	No
<p>5 CHECK OUTPUT SIGNAL EMITTED FROM TCM. 1) Turn the ignition switch OFF. 2) Lift-up the vehicle and place safety stand. NOTE: Raise all wheels off ground. 3) Start the engine, and warm transmission until ATF temperature becomes 80°C (176°F) or more. NOTE: If ambient temperature is below 0°C (32°F), drive the vehicle until ATF reaches its operating temperature. 4) Move the select lever to Manual mode. 5) Increase the speed up to 25 km/h (16 MPH) at 2nd. NOTE: The speed difference between front and rear wheels may light the ABS warning light, but this indicates no malfunction. When AT control diagnosis is finished, perform the ABS memory clearance procedure of on-board diagnostics system. <Ref. to ABS(diag)-21, Clear Memory Mode.> 6) Shift down to 1st speed, and effectively use engine brake. 7) Measure the voltage between TCM connector and body ground when engine brake is effective. Connector & terminal (B54) No. 14 (+) — Chassis ground (-):</p>	<p>Is the voltage less than 1 V?</p>	<p>Even if "POWER" indicator light blinks, the circuit has returned to a normal condition. A temporary poor contact of the connector or harness may be the cause. Repair the harness or contact in the TCM.</p>	<p>Go to step 6.</p>
<p>6 CHECK POOR CONTACT.</p>	<p>Is there poor contact in SPORT shift solenoid circuit?</p>	<p>Repair the poor contact.</p>	<p>Replace the TCM. <Ref. to 4AT-74, Transmission Control Module (TCM).></p>
<p>7 CHECK SHIFT SOLENOID 1 (IN TRANSMISSION). 1) Remove the transmission connector from bracket. 2) Lift-up or raise the vehicle and support with safety stand. 3) Drain the automatic transmission fluid. CAUTION: Do not drain the automatic transmission fluid until it cools down. 4) Remove the oil pan, and disconnect the connector from SPORT shift solenoid. 5) Measure the resistance of SPORT shift solenoid. Terminals No. 1 — Transmission ground:</p>	<p>Is the resistance 10 — 16 Ω?</p>	<p>Go to step 8.</p>	<p>Replace the SPORT shift solenoid. <Ref. to 4AT-68, Shift Solenoids, Duty Solenoids and ATF Temperature Sensor.></p>
<p>8 CHECK HARNESS CONNECTOR BETWEEN SPORT SHIFT SOLENOID AND TRANSMISSION. Measure the resistance of harness between shift solenoid 1 and transmission connector. Connector & terminal (AT10) No. 1 — (T4) No. 8:</p>	<p>Is the resistance less than 1 Ω?</p>	<p>Go to step 9.</p>	<p>Repair the open circuit in harness between SPORT shift solenoid and transmission connector.</p>

Diagnostic Procedure with Diagnostic Trouble Code (DTC)

AUTOMATIC TRANSMISSION (DIAGNOSTICS)

Step	Check	Yes	No
<p>9 CHECK HARNESS CONNECTOR BETWEEN SPORT SHIFT SOLENOID AND TRANSMISSION. Measure the resistance of harness between SPORT shift solenoid connector and transmission ground. Connector & terminal (T4) No. 8 — Transmission ground:</p>	<p>Is the resistance more than 1 MΩ?</p>	<p>Even if "POWER" indicator light blinks, the circuit has returned to a normal condition. A temporary poor contact of the connector or harness may be the cause. Repair the harness or connector in SPORT shift solenoid and transmission.</p>	<p>Repair the short circuit harness between SPORT shift solenoid and transmission connector.</p>

Diagnostic Procedure with Diagnostic Trouble Code (DTC)

AUTOMATIC TRANSMISSION (DIAGNOSTICS)

Q: DTC 79 TRANSFER DUTY SOLENOID

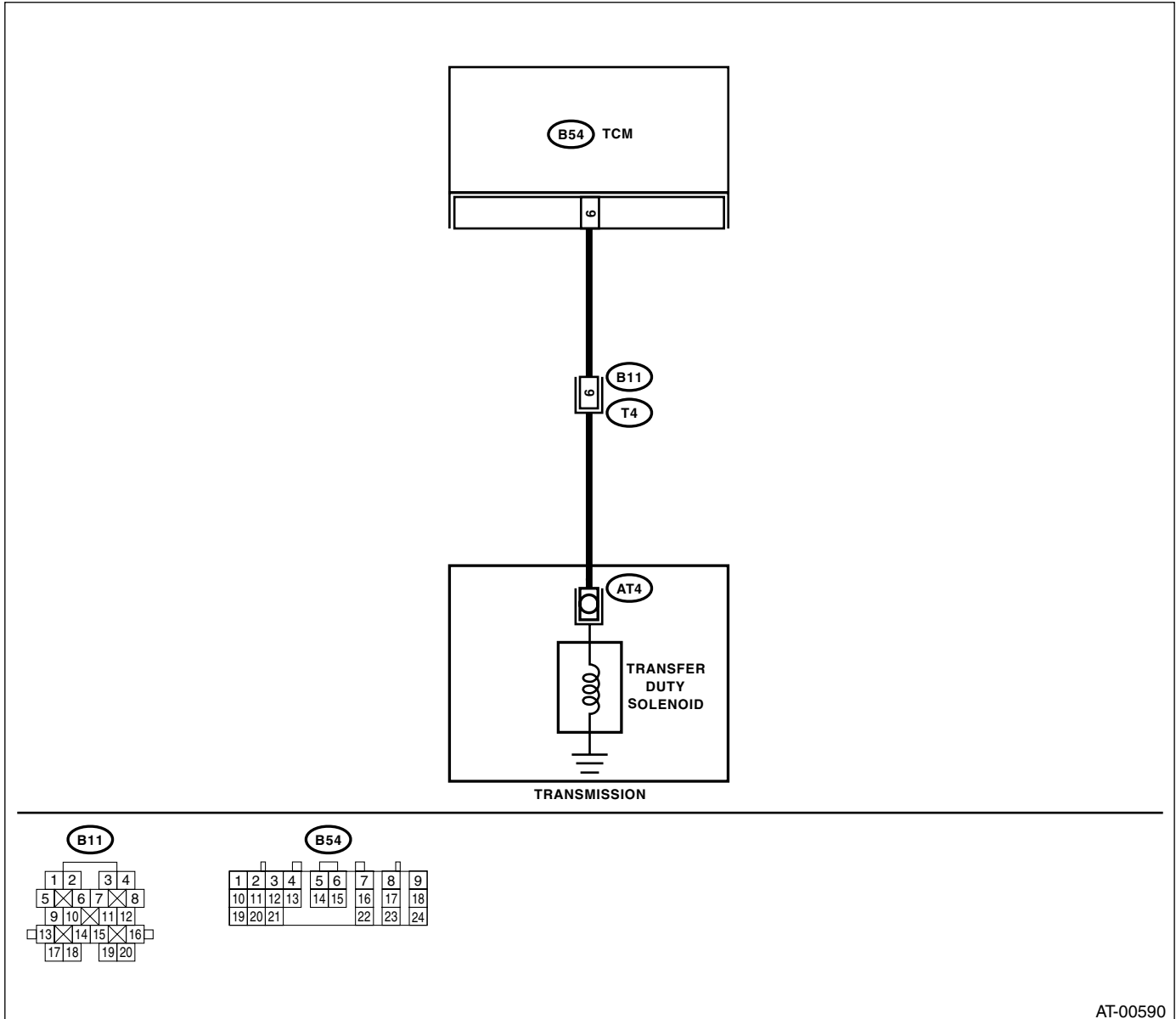
DIAGNOSIS:

The output signal circuit of transfer duty solenoid is open or shorted.

TROUBLE SYMPTOM:

Excessive "braking" in tight corners.

WIRING DIAGRAM:



AT-00590

Step	Check	Yes	No
1 CHECK HARNESS CONNECTOR BETWEEN TCM AND TRANSMISSION. 1) Turn the ignition switch to OFF. 2) Disconnect the connector from TCM and transmission. 3) Measure the resistance of harness between TCM and transmission connector. Connector & terminal (B54) No. 6 — (B11) No. 6:	Is the resistance less than 1 Ω ?	Go to step 2.	Repair the open circuit in harness between TCM and transmission connector.

Diagnostic Procedure with Diagnostic Trouble Code (DTC)

AUTOMATIC TRANSMISSION (DIAGNOSTICS)

Step	Check	Yes	No
2 CHECK HARNESS CONNECTOR BETWEEN TCM AND TRANSMISSION. Measure the resistance harness connector between TCM and chassis ground. <i>Connector & terminal</i> <i>(B54) No. 6 — Chassis ground:</i>	Is the resistance more than 1 M Ω ?	Go to step 3.	Repair the short circuit in harness between TCM and transmission connector.
3 CHECK TRANSFER DUTY SOLENOID. Measure the resistance of transmission connector. <i>Connector & terminal</i> <i>(T4) No. 6 — No. 16:</i>	Is the resistance 10 — 17 Ω ?	Go to step 4.	Go to step 10.
4 PREPARE SUBARU SELECT MONITOR.	Do you have a Subaru Select Monitor?	Go to step 7.	Go to step 5.
5 CHECK OUTPUT SIGNAL EMITTED FROM TCM. 1)Connect the connectors to TCM and transmission. 2)Turn the ignition switch to ON (engine OFF). 3)Throttle is fully closed. 4)Move the select lever to “P” range. 5)Measure the voltage between TCM connector and chassis ground. <i>Connector & terminal</i> <i>(B54) No. 6 (+) — Chassis ground (-):</i>	Is the voltage more than 8.5 V?	Go to step 6.	Go to step 9.
6 CHECK OUTPUT SIGNAL EMITTED FROM TCM. 1)Move the select lever to “D” range. 2)Measure the voltage between TCM connector and chassis ground. <i>Connector & terminal</i> <i>(B54) No. 6 (+) — Chassis ground (-):</i>	Is the voltage 3.0 — 6.0 V?	Even if the POWER indicator light blinks, the circuit has returned to a normal condition at this time. A temporary poor contact of the connector or harness may be the cause. Repair the harness or connector in TCM and transmission.	Go to step 9.
7 CHECK OUTPUT SIGNAL EMITTED FROM TCM USING SUBARU SELECT MONITOR. 1)Connect the connectors to TCM and transmission. 2)Connect the Subaru Select Monitor to data link connector. 3)Turn the ignition switch to ON (engine OFF) and turn Subaru Select Monitor switch to ON. 4)Move the select lever to “D” range with throttle fully open (vehicle speed 0 km/h or 0 MPH). 5)Read data of transfer duty solenoid using Subaru Select Monitor. •Transfer duty solenoid is indicated in “%”.	Is the value 80 — 95%?	Go to step 8.	Go to step 9.

Diagnostic Procedure with Diagnostic Trouble Code (DTC)

AUTOMATIC TRANSMISSION (DIAGNOSTICS)

Step	Check	Yes	No
8 CHECK OUTPUT SIGNAL EMITTED FROM TCM USING SUBARU SELECT MONITOR. 1) Move the select lever to "N" range with throttle fully closed (vehicle speed 0 km/h or 0 MPH). 2) Read the data of transfer duty solenoid using Subaru Select Monitor. • Transfer duty solenoid is indicated in "%".	Is the value approx. 5 — 10%?	Even if the POWER indicator light blinks, the circuit has returned to a normal condition at this time. A temporary poor contact of the connector or harness may be the cause. Repair the harness or connector in TCM and transmission.	Go to step 9.
9 CHECK POOR CONTACT.	Is there poor contact in transfer duty solenoid circuit?	Repair the poor contact.	Replace the TCM. <Ref. to 4AT-74, Transmission Control Module (TCM).>
10 CHECK TRANSFER DUTY SOLENOID (IN TRANSMISSION). 1) Lift-up the vehicle and place safety stand. NOTE: On AWD models, raise all wheels off ground. 2) Drain the automatic transmission fluid. CAUTION: Do not drain the automatic transmission fluid until it cools down. 3) Remove the extension case and disconnect connector from transfer duty solenoid. 4) Measure the resistance of transfer duty solenoid. <i>Connector & terminal</i> <i>(AT4) No. 1 — Transmission ground:</i>	Is the resistance 10 — 17 Ω?	Go to step 11.	Replace the transfer duty solenoid.
11 CHECK HARNESS CONNECTOR BETWEEN TRANSFER DUTY SOLENOID AND TRANSMISSION. Measure the resistance of harness between transfer duty solenoid and transmission connector. <i>Connector & terminal</i> <i>(T4) No. 6 — (AT4) No. 1:</i>	Is the resistance less than 1 Ω?	Go to step 12.	Repair the open circuit in harness between transfer duty solenoid and transmission connector.
12 CHECK HARNESS CONNECTOR BETWEEN TRANSFER DUTY SOLENOID AND TRANSMISSION. Measure the resistance of harness between transmission connector and transmission ground. <i>Connector & terminal</i> <i>(T4) No. 6 — Transmission ground:</i>	Is the resistance more than 1 MΩ?	Even if the POWER indicator light blinks, the circuit has returned to a normal condition at this time. A temporary poor contact of the connector or harness may be the cause. Repair the harness or contact in transfer duty solenoid and transmission.	Repair the short circuit in harness between transfer duty solenoid and transmission connector.

Diagnostic Procedure with Diagnostic Trouble Code (DTC)

AUTOMATIC TRANSMISSION (DIAGNOSTICS)

R: DTC 93 REAR VEHICLE SPEED SENSOR

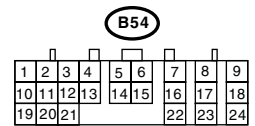
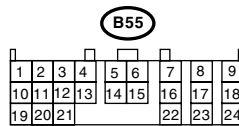
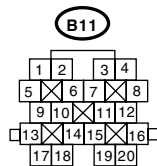
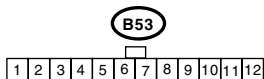
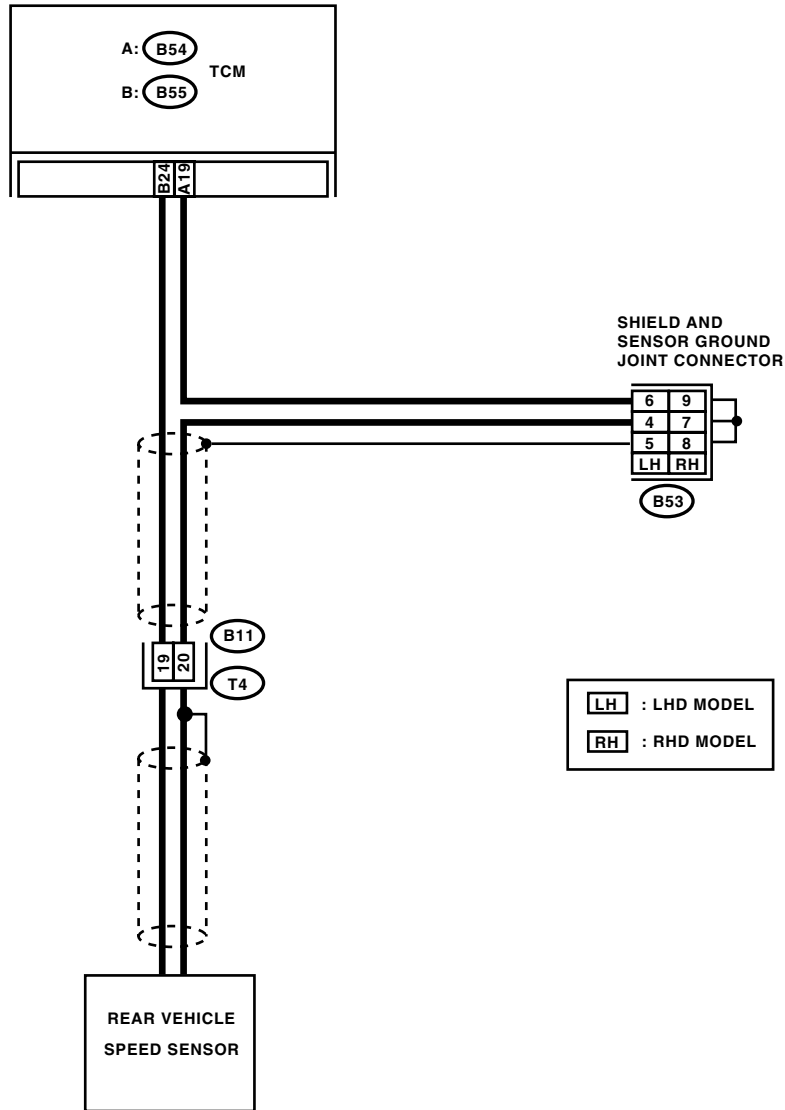
DIAGNOSIS:

The input signal circuit of TCM is open or shorted.

TROUBLE SYMPTOM:

No lock-up or excessive tight corner "braking".

WIRING DIAGRAM:



AT-01148

Diagnostic Procedure with Diagnostic Trouble Code (DTC)

AUTOMATIC TRANSMISSION (DIAGNOSTICS)

Step	Check	Yes	No
1 CHECK HARNESS CONNECTOR BETWEEN TCM AND TRANSMISSION. 1) Turn the ignition switch to OFF. 2) Disconnect the connector from TCM and transmission. 3) Measure the resistance of harness between TCM and transmission connector. <i>Connector & terminal</i> <i>(B55) No. 24 — (B11) No. 19:</i>	Is the resistance less than 1 Ω ?	Go to step 2.	Repair the open circuit in harness between TCM and transmission connector.
2 CHECK HARNESS CONNECTOR BETWEEN TCM AND TRANSMISSION. Measure the resistance of harness between TCM and transmission connector. <i>Connector & terminal</i> <i>(B54) No. 19 — (B11) No. 20:</i>	Is the resistance less than 1 Ω ?	Go to step 3.	Repair the open circuit in harness between TCM and transmission, and poor contact in coupling connector.
3 CHECK HARNESS CONNECTOR BETWEEN TCM AND TRANSMISSION. Measure the resistance of harness between TCM and chassis ground. <i>Connector & terminal</i> <i>(B55) No. 24 — Chassis ground:</i>	Is the resistance more than 1 $M\Omega$?	Go to step 4.	Repair the short circuit in harness between TCM and transmission connector.
4 CHECK HARNESS CONNECTOR BETWEEN TCM AND TRANSMISSION. Measure the resistance of harness between TCM and chassis ground. <i>Connector & terminal</i> <i>(B54) No. 19 — Chassis ground:</i>	Is the resistance more than 1 $M\Omega$?	Go to step 5.	Repair the short circuit in harness between TCM and transmission connector.
5 CHECK REAR VEHICLE SPEED SENSOR. Measure the resistance between transmission connector receptacle's terminals. <i>Connector & terminal</i> <i>(T4) No. 19 — No. 20:</i>	Is the resistance 450 — 650 Ω ?	Go to step 6.	Replace the rear vehicle speed sensor. <Ref. to 4AT-60, Rear Vehicle Speed Sensor.>
6 PREPARE OSCILLOSCOPE.	Do you have an oscilloscope?	Go to step 10.	Go to step 7.
7 PREPARE SUBARU SELECT MONITOR.	Do you have a Subaru Select Monitor?	Go to step 9.	Go to step 8.
8 CHECK INPUT SIGNAL FOR TCM. 1) Connect the connectors to TCM and transmission. 2) Lift-up or raise the vehicle and place safety stands. NOTE: Raise all wheels off floor. 3) Start the engine and set vehicle in 20 km/h (12 MPH) condition. NOTE: The speed difference between front and rear wheels may light the ABS warning light, but this indicates no malfunction. When AT control diagnosis is finished, perform the ABS memory clearance procedure of on-board diagnostics system. <Ref. to ABS(diag)-21, Clear Memory Mode.> 4) Measure the voltage between TCM connector terminals. <i>Connector & terminal</i> <i>(B55) No. 24 (+) — (B54) No. 19 (-):</i>	Is the voltage more than AC 1 V?	Even if the POWER indicator light blinks, the circuit has returned to a normal condition at this time. A temporary poor contact of the connector or harness may be the cause. Repair the harness or connector in TCM and transmission.	Go to step 11.

Diagnostic Procedure with Diagnostic Trouble Code (DTC)

AUTOMATIC TRANSMISSION (DIAGNOSTICS)

Step	Check	Yes	No
<p>9 CHECK INPUT SIGNAL FOR TCM USING SUBARU SELECT MONITOR.</p> <p>1)Connect the connectors to TCM and transmission.</p> <p>2)Connect the Subaru Select Monitor to data link connector.</p> <p>3)Lift-up or raise the vehicle and place safety stands.</p> <p>NOTE: Raise all wheels off floor.</p> <p>4)Turn the ignition switch to ON and turn Subaru Select Monitor switch to ON.</p> <p>5)Start the engine.</p> <p>6)Read the data of vehicle speed using Subaru Select Monitor.</p> <ul style="list-style-type: none"> •Compare the speedometer with Subaru Select Monitor indications. •Vehicle speed is indicated in “km/h” or “MPH”. <p>7)Slowly increase the vehicle speed to 60 km/h or 37 MPH.</p> <p>NOTE: The speed difference between front and rear wheels may light the ABS warning light, but this indicates no malfunction. When AT control diagnosis is finished, perform the ABS memory clearance procedure of on-board diagnostics system. <Ref. to ABS(diag)-21, Clear Memory Mode.></p>	<p>Does the speedometer indication increase as the Subaru Select Monitor data increases?</p>	<p>Even if the POWER indicator light blinks, the circuit has returned to a normal condition at this time. A temporary poor contact of the connector or harness may be the cause. Repair the harness or connector in TCM and transmission.</p>	<p>Go to step 11.</p>
<p>10 CHECK INPUT SIGNAL FOR TCM USING OSCILLOSCOPE.</p> <p>1)Connect the connectors to TCM and transmission.</p> <p>2)Lift-up or raise the vehicle and place safety stands.</p> <p>NOTE: Raise all wheels off floor.</p> <p>3)Set the oscilloscope to TCM connector terminals.</p> <p style="text-align: center;">Connector & terminal</p> <p style="text-align: center;">Positive probe; (B55) No. 24</p> <p style="text-align: center;">Earth lead; (B54) No. 19</p> <p>4)Start the engine and set vehicle in 20 km/h (12 MPH) condition.</p> <p>NOTE: The speed difference between front and rear wheels may light the ABS warning light, but this indicates no malfunction. When AT control diagnosis is finished, perform the ABS memory clearance procedure of on-board diagnostics system. <Ref. to ABS(diag)-21, Clear Memory Mode.></p> <p>5)Measure the signal voltage indicated on oscilloscope.</p>	<p>Is the signal voltage more than AC 1 V?</p>	<p>Even if the POWER indicator light blinks, the circuit has returned to a normal condition at this time. A temporary poor contact of the connector or harness may be the cause. Repair the harness or connector in TCM and transmission.</p>	<p>Go to step 11.</p>
<p>11 CHECK POOR CONTACT.</p>	<p>Is there poor contact in rear vehicle speed sensor circuit?</p>	<p>Repair the poor contact.</p>	<p>Replace the TCM. <Ref. to 4AT-74, Transmission Control Module (TCM).></p>

Diagnostic Procedure without Diagnostic Trouble Code (DTC)

AUTOMATIC TRANSMISSION (DIAGNOSTICS)

15. Diagnostic Procedure without Diagnostic Trouble Code (DTC)

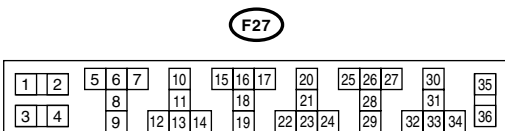
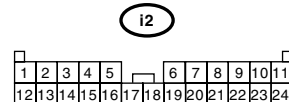
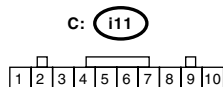
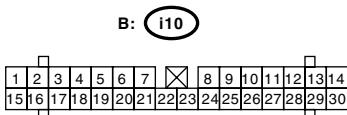
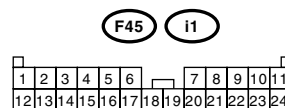
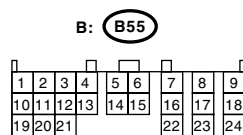
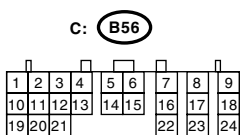
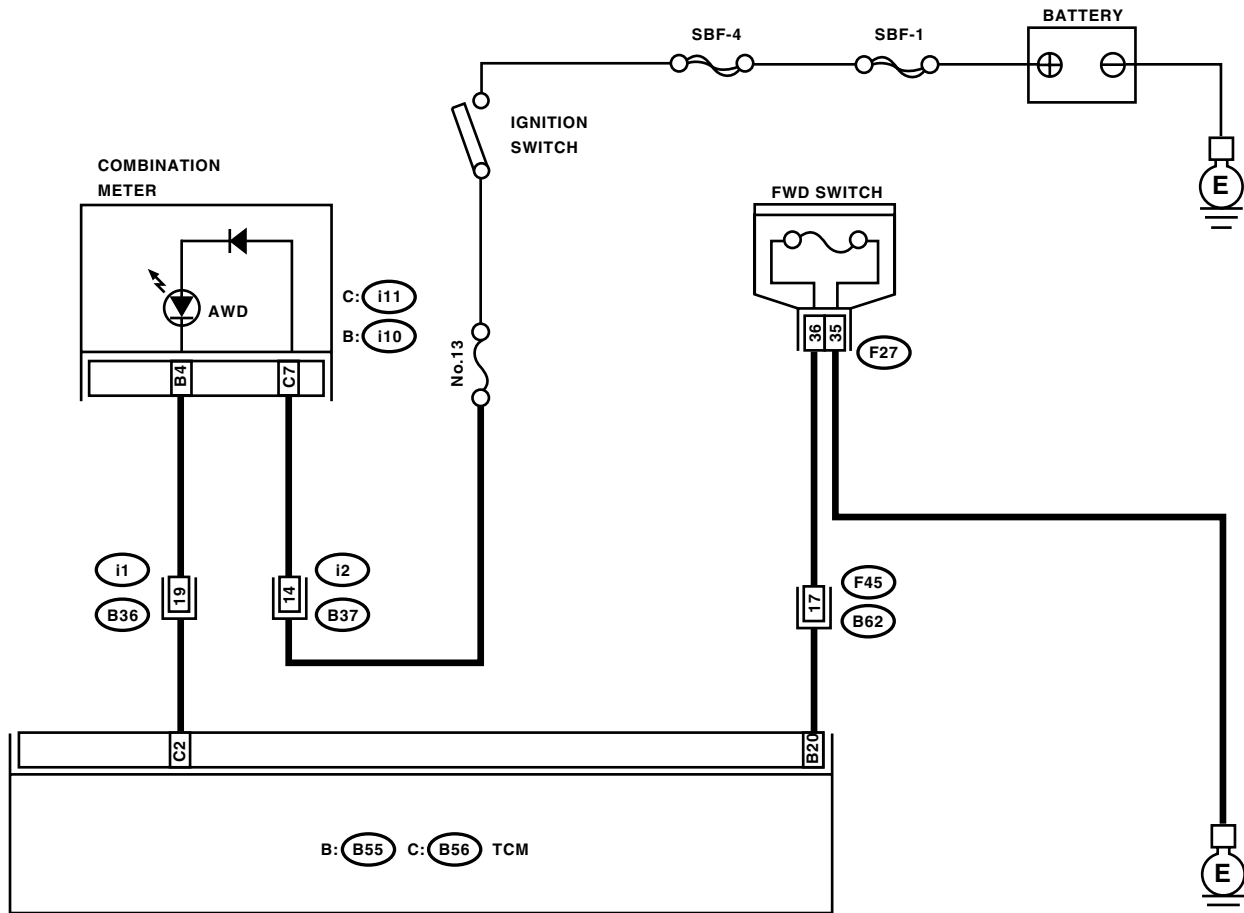
A: CHECK FWD SWITCH

DIAGNOSIS:

- The LED does not come on even if FWD switch is ON.
- The FWD switch circuit is open or short.

WIRING DIAGRAM:

LHD MODEL

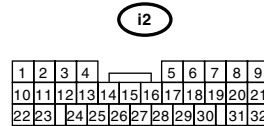
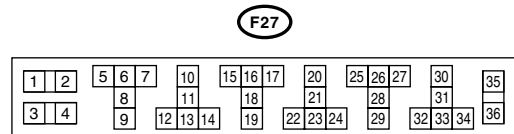
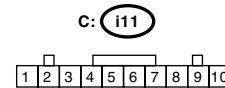
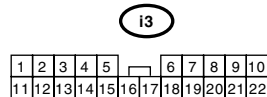
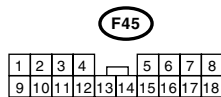
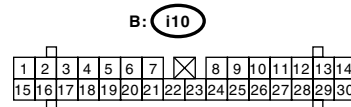
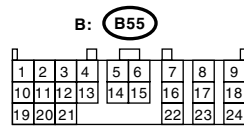
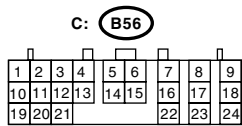
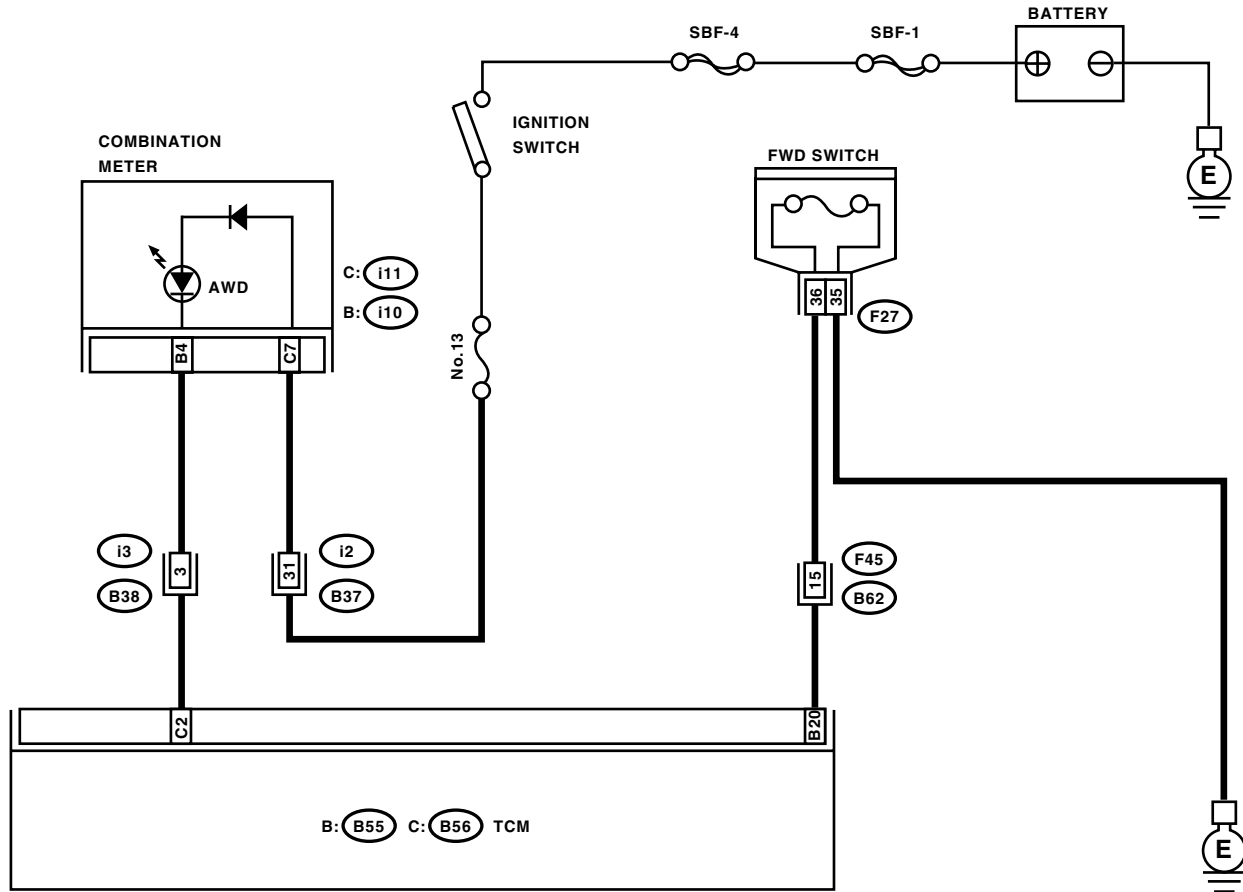


AT-02420

Diagnostic Procedure without Diagnostic Trouble Code (DTC)

AUTOMATIC TRANSMISSION (DIAGNOSTICS)

RHD MODEL



AT-02421

Diagnostic Procedure without Diagnostic Trouble Code (DTC)

AUTOMATIC TRANSMISSION (DIAGNOSTICS)

Step	Check	Yes	No
1	CHECK VEHICLE.	Go to step 2.	Go to step CHECK BRAKE SWITCH. <Ref. to 4AT(diag)-99, CHECK BRAKE SWITCH, Diagnostic Procedure without Diagnostic Trouble Code (DTC).>
2	CHECK FWD SWITCH.	Go to step CHECK BRAKE SWITCH. <Ref. to 4AT(diag)-99, CHECK BRAKE SWITCH, Diagnostic Procedure without Diagnostic Trouble Code (DTC).>	Go to step 3.
3	CHECK AWD INDICATOR LIGHT. 1)Turn the ignition switch to OFF. 2)Disconnect the connector from TCM. 3)Turn the ignition switch to ON. 4)Short the circuit between combination meter connector and chassis ground. CAUTION: Be sure to short the circuit through fuse. <i>Connector & terminal</i> <i>(i10) No. 22 — Chassis ground:</i>	Go to step 4.	Replace the AWD indicator light bulb. <Ref. to IDI-11, Combination Meter Assembly.>
4	CHECK HARNESS CONNECTOR BETWEEN TCM AND FWD SWITCH. 1)Turn the ignition switch to OFF. 2)Disconnect the connector from TCM. 3)Measure the resistance of harness between TCM and FWD switch connector. <i>Connector & terminal</i> <i>(B55) No. 20 — (F27) No. 30:</i>	Go to step 5.	Repair the open circuit in harness between TCM and FWD switch connector.
5	CHECK HARNESS CONNECTOR BETWEEN FWD SWITCH AND CHASSIS GROUND. Measure the resistance of harness between FWD switch and chassis ground. <i>Connector & terminal</i> <i>(F27) No. 29 — Chassis ground:</i>	Go to step 6.	Repair the open circuit in harness between FWD switch connector and chassis ground.
6	CHECK HARNESS CONNECTOR BETWEEN TCM AND FWD SWITCH. Measure the resistance of harness connector between TCM and body to make sure that circuit does not short. <i>Connector & terminal</i> <i>(B55) No. 20 — Chassis ground:</i>	Go to step 7.	Repair the short circuit in harness between TCM and FWD switch connector.
7	CHECK INPUT SIGNAL FOR TCM. 1)Turn the ignition switch to OFF. 2)Connect the connector to TCM. 3)Turn the ignition switch to ON. 4)Measure the signal voltage for TCM while installing the fuse to FWD switch connector. <i>Connector & terminal</i> <i>(B55) No. 20 (+) — Chassis ground (-):</i>	Go to step 8.	Go to step 12.

Diagnostic Procedure without Diagnostic Trouble Code (DTC)

AUTOMATIC TRANSMISSION (DIAGNOSTICS)

Step	Check	Yes	No
8 CHECK INPUT SIGNAL FOR TCM. Measure the signal voltage for TCM while removing the fuse from FWD switch connector. <i>Connector & terminal</i> <i>(B55) No. 20 (+) — Chassis ground (-):</i>	Is the voltage 6 — 9.1 V?	Go to step 9.	Replace the TCM. <Ref. to 4AT-74, Transmission Control Module (TCM).>
9 CHECK HARNESS CONNECTOR BETWEEN TCM AND COMBINATION METER. 1)Turn the ignition switch to OFF. 2)Disconnect the connector from TCM and combination meter. 3)Measure the resistance of harness between TCM combination meter. <i>Connector & terminal</i> <i>(B56) No. 2 — (i10) No. 4:</i>	Is the resistance less than 1 Ω ?	Go to step 10.	Repair the open circuit in harness between TCM and combination meter and poor contact in coupling connector.
10 CHECK HARNESS CONNECTOR BETWEEN TCM AND COMBINATION METER. Measure the resistance of harness connector between TCM and chassis ground. <i>Connector & terminal</i> <i>(B56) No. 2 — Chassis ground:</i>	Is the resistance more than 1 M Ω ?	Go to step 11.	Repair the short circuit in harness between TCM and combination meter connector.
11 CHECK OUTPUT SIGNAL EMITTED FROM TCM. 1)Turn the ignition switch to OFF. 2)Connect the connector to TCM and combination meter. 3)Turn the ignition switch to ON. 4)Measure the signal voltage for TCM while installing the fuse to FWD switch connector. <i>Connector & terminal</i> <i>(B56) No. 2 (+) — Chassis ground (-):</i>	Is the voltage less than 1 V?	Go to step 12.	Go to step 13.
12 CHECK OUTPUT SIGNAL EMITTED FROM TCM. Measure the signal voltage for TCM while removing the fuse from FWD switch connector. <i>Connector & terminal</i> <i>(B56) No. 2 (+) — Chassis ground (-):</i>	Is the voltage 6 — 9.1 V?	Go to step 13.	Replace the TCM. <Ref. to 4AT-74, Transmission Control Module (TCM).>
13 CHECK POOR CONTACT.	Is there poor contact in FWD switch circuit?	Repair the poor contact.	Replace the TCM. <Ref. to 4AT-74, Transmission Control Module (TCM).>

Diagnostic Procedure without Diagnostic Trouble Code (DTC)

AUTOMATIC TRANSMISSION (DIAGNOSTICS)

B: CHECK BRAKE SWITCH

Step	Check	Yes	No
1 CHECK BRAKE SWITCH.	When the brake pedal is depressed, does LED light up?	Go to step CHECK CRUISE CONTROL SWITCH. <Ref. to 4AT(diag)-99, CHECK CRUISE CONTROL SWITCH, Diagnostic Procedure without Diagnostic Trouble Code (DTC).>	Check the brake switch circuit. <Ref. to EN(H4SO)(diag)-211, DTC P0703 TORQUE CONVERTER/BRAKE SWITCH "B" CIRCUIT, Diagnostic Procedure with Diagnostic Trouble Code (DTC).>

C: CHECK CRUISE CONTROL SWITCH

Step	Check	Yes	No
1 CHECK CRUISE CONTROL SWITCH.	When the cruise control is set, does LED light up?	Go to step CHECK KICK-DOWN SWITCH. <Ref. to 4AT(diag)-100, CHECK KICK-DOWN SWITCH, Diagnostic Procedure without Diagnostic Trouble Code (DTC).>	Check the cruise control. <Ref. to CC(diag)-26, Diagnostic Procedure with DTC.>

Diagnostic Procedure without Diagnostic Trouble Code (DTC)

AUTOMATIC TRANSMISSION (DIAGNOSTICS)

D: CHECK KICK-DOWN SWITCH

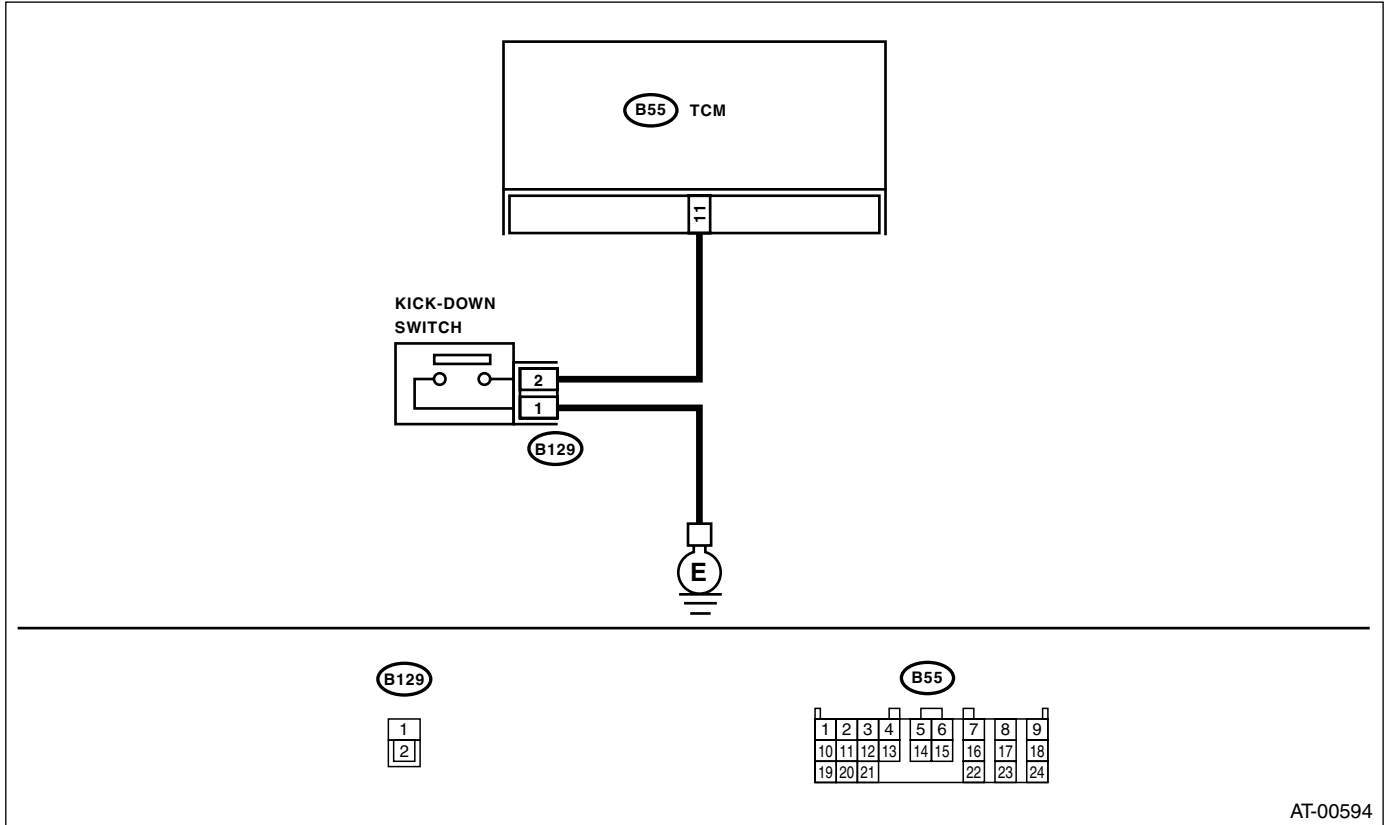
DIAGNOSIS:

- The kick-down switch is OFF when the throttle is partially open or fully closed, but it is not ON when the throttle is fully opened.
- The kick-down switch circuit is open or shorted.

TROUBLE SYMPTOM:

No kick-down occurs (when the throttle is fully opened).

WIRING DIAGRAM:



AT-00594

Diagnostic Procedure without Diagnostic Trouble Code (DTC)

AUTOMATIC TRANSMISSION (DIAGNOSTICS)

Step	Check	Yes	No	
1	CHECK KICK-DOWN SWITCH OPERATION. Display the "Current Data" on Subaru Select Monitor.	When the accelerator pedal is fully depressed, does "ON" displayed?	Go to step CHECK POWER MODE SWITCH. <Ref. to 4AT(diag)-103, CHECK POWER MODE SWITCH, Diagnostic Procedure without Diagnostic Trouble Code (DTC).>	Go to step 2.
2	CHECK KICK-DOWN SWITCH GROUND LINE. 1)Disconnect the connector from kick-down switch. 2)Measure the resistance of harness connector between kick-down switch and chassis ground. Connector & terminal (B129) No. 1 — Chassis ground:	Is the resistance less than 1 Ω ?	Go to step 3.	Repair the open circuit in harness between kick-down switch and chassis ground.
3	CHECK KICK-DOWN SWITCH. Measure the resistance for kick-down switch when the accelerator pedal is not depressed. Terminals No. 1 — No. 2:	Is the resistance less than 1 Ω ?	Go to step 4.	Replace the kick-down switch. <Ref. to SP(H4SO)-4, Accelerator Pedal.>
4	CHECK KICK-DOWN SWITCH. Measure the resistance for kick-down switch when the accelerator pedal is not depressed. Terminals No. 1 — No. 2:	Is the resistance more than 1 M Ω ?	Go to step 5.	Replace the kick-down switch.
5	CHECK HARNESS CONNECTOR BETWEEN TCM AND KICK-DOWN SWITCH. 1)Turn the ignition switch to OFF. 2)Disconnect the connectors from kick-down switch. 3)Measure the resistance of harness connector between TCM and kick-down switch. Connector & terminal (B55) No. 11 — (B129) No. 2:	Is the resistance less than 1 Ω ?	Go to step 6.	Repair the open circuit in harness between TCM and kick-down switch.
6	CHECK HARNESS CONNECTOR BETWEEN TCM AND KICK-DOWN SWITCH. Measure the resistance of harness connector between TCM and chassis ground. Connector & terminal (B55) No. 11 — Chassis ground:	Is the resistance more than 1 M Ω ?	Go to step 7.	Repair the short circuit in harness between TCM and chassis ground.
7	CHECK INPUT SIGNAL FOR TCM. 1)Turn the ignition switch to OFF. 2)Connect the connector to kick-down switch. 3)Turn the ignition switch to ON (engine OFF). 4)Measure the signal voltage for TCM when depressing the accelerator pedal. Connector & terminal (B55) No. 11 (+) — Chassis ground (-):	Is the voltage less than 1 V?	Go to step 8.	Go to step 9.
8	CHECK INPUT SIGNAL FOR TCM. Measure the signal voltage for TCM when the accelerator pedal is not depressed. Connector & terminal (B55) No. 11 (+) — Chassis ground (-):	Is the voltage more than 6.5 V?	A temporary poor contact of the connector and harness may be the cause. Repair the harness and connector in TCM.	Go to step 9.

Diagnostic Procedure without Diagnostic Trouble Code (DTC)

AUTOMATIC TRANSMISSION (DIAGNOSTICS)

	Step	Check	Yes	No
9	CHECK POOR CONTACT.	Is there poor contact?	Repair the poor contact.	Replace the TCM. <Ref. to 4AT-74, Transmission Control Module (TCM).>

Diagnostic Procedure without Diagnostic Trouble Code (DTC)

AUTOMATIC TRANSMISSION (DIAGNOSTICS)

E: CHECK POWER MODE SWITCH

DIAGNOSIS:

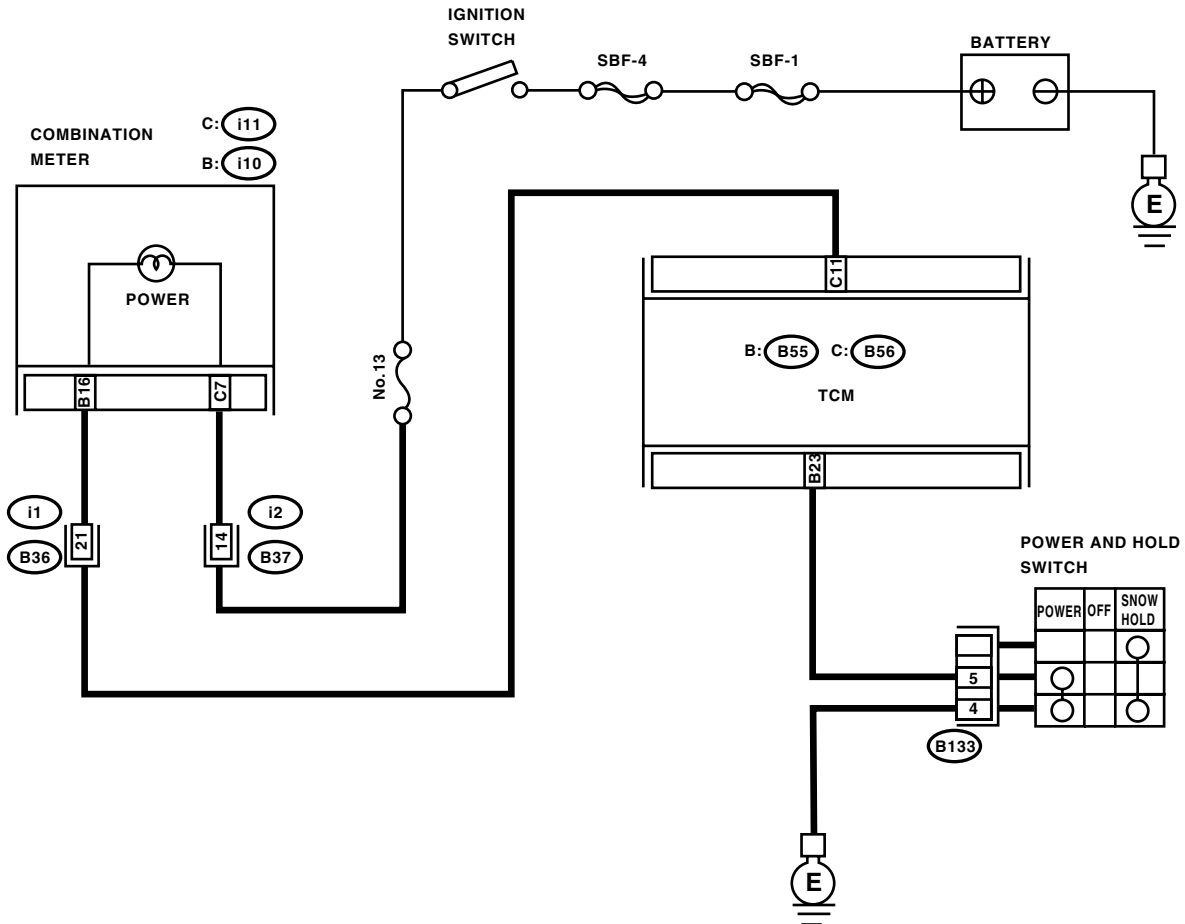
- The LED does not come on when POWER switch is ON.
- The POWER switch circuit is open or shorted.

TROUBLE SYMPTOM:

No power mode occurs.

WIRING DIAGRAM:

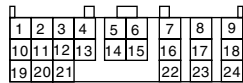
LHD MODEL



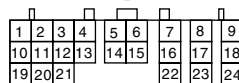
B133



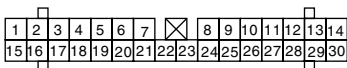
B55



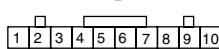
B56



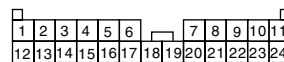
i10



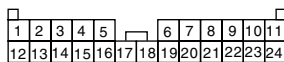
i11



i1



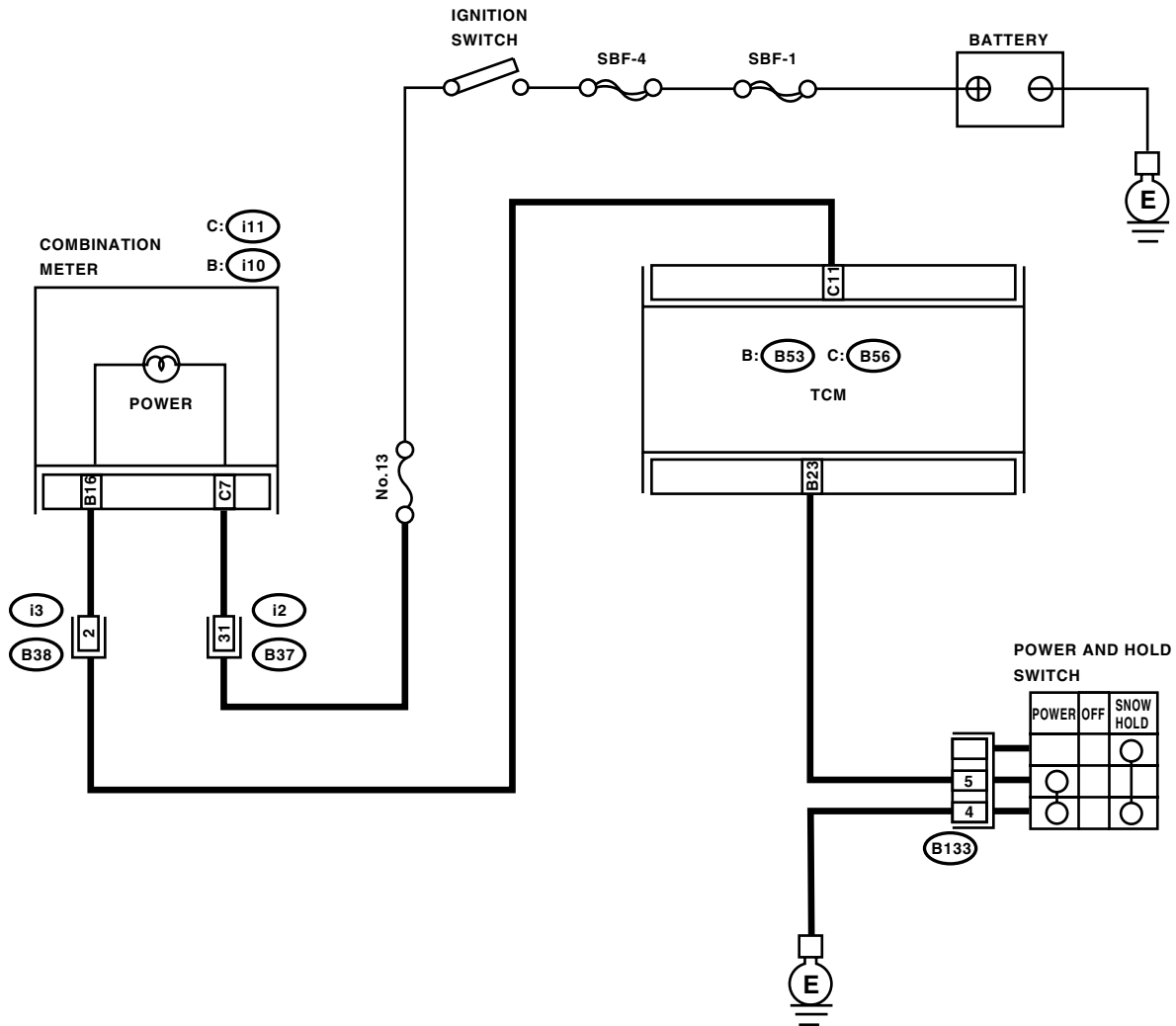
i2



Diagnostic Procedure without Diagnostic Trouble Code (DTC)

AUTOMATIC TRANSMISSION (DIAGNOSTICS)

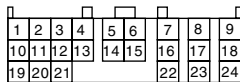
RHD MODEL



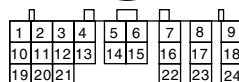
B133



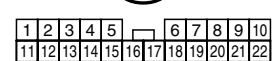
B55



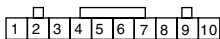
B56



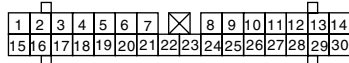
i3



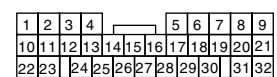
i11



i10



i2



AT-01153

Diagnostic Procedure without Diagnostic Trouble Code (DTC)

AUTOMATIC TRANSMISSION (DIAGNOSTICS)

Step	Check	Yes	No	
1	CHECK POWER SWITCH OPERATION.	When the POWER switch is turned to OFF, does LED light up?	Go to step 5.	Go to step 2.
2	CHECK POWER SWITCH OPERATION.	When the POWER switch is turned to ON, does LED light up?	Go to step CHECK INHIBITOR SWITCH. <Ref. to 4AT(diag)-107, CHECK INHIBITOR SWITCH, Diagnostic Procedure without Diagnostic Trouble Code (DTC).>	Go to step 3.
3	CHECK POWER INDICATOR LIGHT. 1)Turn the ignition switch to OFF. 2)Remove the combination meter. 3)Remove the POWER indicator light bulb from combination meter.	Is the POWER indicator light bulb OK?	Go to step 4.	Replace the POWER indicator light bulb. <Ref. to IDI-11, Combination Meter Assembly.>
4	CHECK POWER SWITCH GROUND LINE. 1)Turn the ignition switch to OFF. 2)Disconnect the connector from POWER switch. 3)Measure the resistance of harness connector between POWER switch and chassis ground. Connector & terminal (B133) No. 4 — Chassis ground:	Is the resistance less than 1 Ω ?	Go to step 5.	Repair the open circuit in harness between POWER switch and chassis ground.
5	CHECK POWER SWITCH. 1)Turn the POWER switch to ON. 2)Measure the resistance between terminals of POWER switch. Terminals No. 5 — No. 4:	Is the resistance less than 1 Ω ?	Go to step 6.	Replace the POWER switch.
6	CHECK POWER SWITCH. 1)Turn the POWER switch to OFF. 2)Measure the resistance between terminals of POWER switch. Terminals No. 5 — No. 4:	Is the resistance more than 1 $M\Omega$?	Go to step 7.	Replace the POWER switch.
7	CHECK HARNESS CONNECTOR BETWEEN TCM AND POWER SWITCH. Measure the resistance of harness connector between TCM and POWER switch. Connector & terminal (B55) No. 23 — (B133) No. 3:	Is the resistance less than 1 Ω ?	Go to step 8.	Repair the open circuit in harness between TCM and POWER switch connector.
8	CHECK HARNESS CONNECTOR BETWEEN TCM AND POWER SWITCH. Measure the resistance of harness connector between TCM and chassis ground. Connector & terminal (B55) No. 23 — Chassis ground:	Is the resistance more than 1 $M\Omega$?	Go to step 9.	Repair the short circuit in harness between TCM and POWER switch connector.

Diagnostic Procedure without Diagnostic Trouble Code (DTC)

AUTOMATIC TRANSMISSION (DIAGNOSTICS)

Step	Check	Yes	No
9 CHECK INPUT SIGNAL FOR TCM. 1)Connect the connectors to TCM and POWER switch. 2)Turn the ignition switch to ON (engine OFF). 3)Measure the signal voltage for TCM while turning POWER switch to OFF. Connector & terminal (B55) No. 23 (+) — Chassis ground (-):	Is the voltage more than 10 V?	Go to step 10.	Replace the TCM. <Ref. to 4AT-74, Transmission Control Module (TCM).>
10 CHECK INPUT SIGNAL FOR TCM. Measure the signal voltage for TCM while turning POWER switch to ON. Connector & terminal (B55) No. 23 (+) — Chassis ground (-):	Is the voltage less than 1 V?	Go to step 11.	Replace the TCM. <Ref. to 4AT-74, Transmission Control Module (TCM).>
11 CHECK POOR CONTACT.	Is there poor contact?	Repair the poor contact.	A temporary poor contact of the connector or harness or connector in POWER switch circuit.

Diagnostic Procedure without Diagnostic Trouble Code (DTC)

AUTOMATIC TRANSMISSION (DIAGNOSTICS)

F: CHECK INHIBITOR SWITCH

DIAGNOSIS:

The input signal circuit of inhibitor switch is open or shorted.

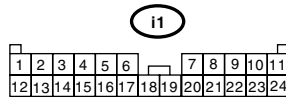
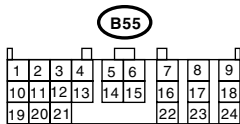
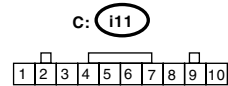
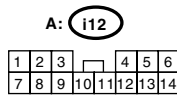
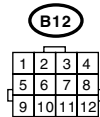
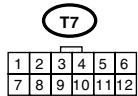
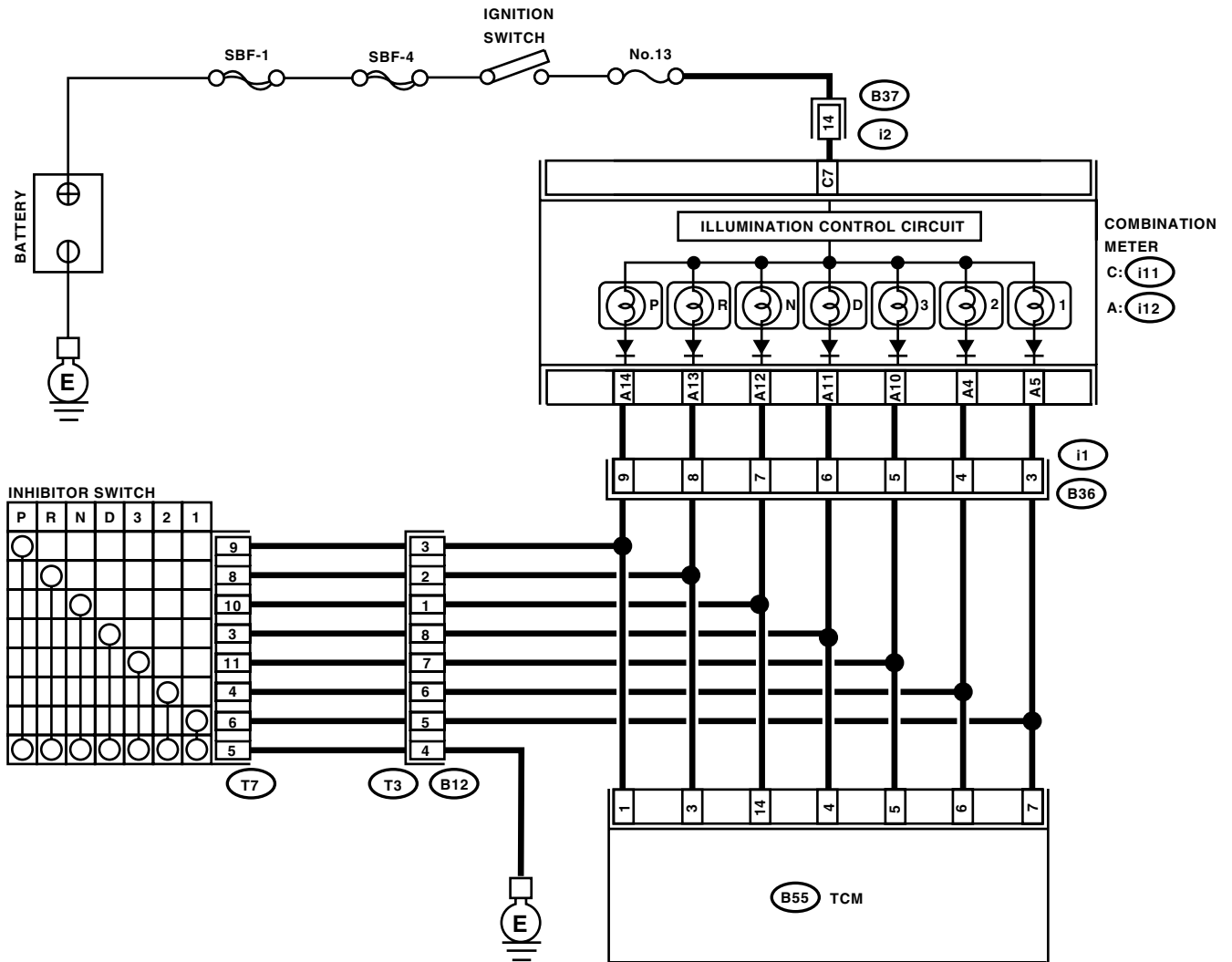
TROUBLE SYMPTOM:

- Shift characteristics are erroneous.
- Engine brake is not effected when selector lever is in “3” range.
- Engine brake is not effected when selector lever is in “2” range.
- Engine brake is not effected when selector lever is in “1” range.

Diagnostic Procedure without Diagnostic Trouble Code (DTC)

AUTOMATIC TRANSMISSION (DIAGNOSTICS)

WIRING DIAGRAM: LHD MODEL

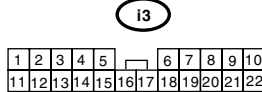
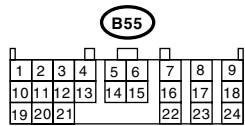
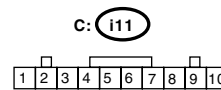
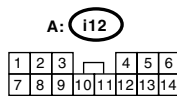
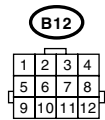
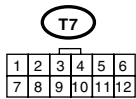
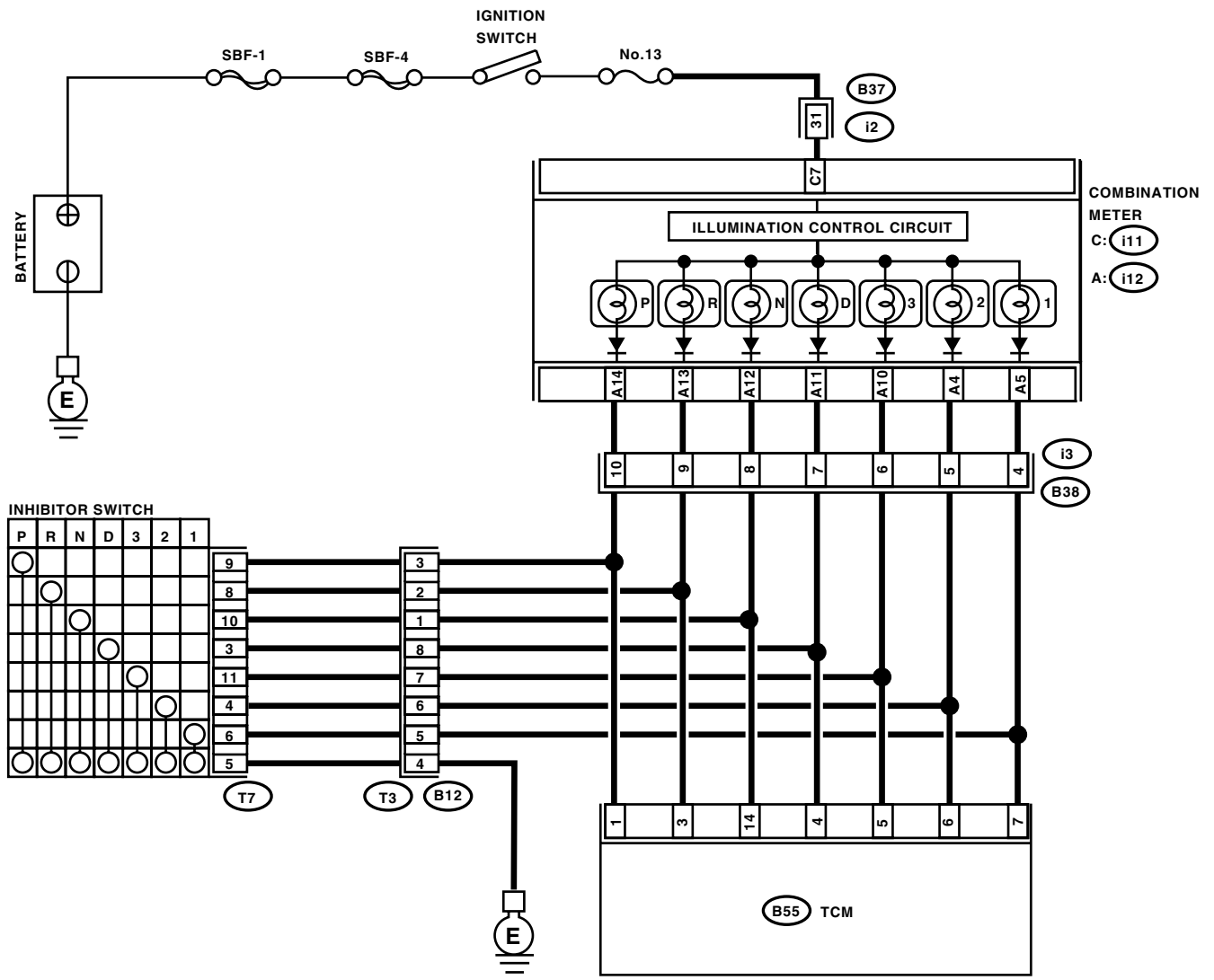


AT-01154

Diagnostic Procedure without Diagnostic Trouble Code (DTC)

AUTOMATIC TRANSMISSION (DIAGNOSTICS)

RHD MODEL



AT-01155

Diagnostic Procedure without Diagnostic Trouble Code (DTC)

AUTOMATIC TRANSMISSION (DIAGNOSTICS)

Step	Check	Yes	No	
1	CHECK "P" RANGE SWITCH.	When the "P" range is selected, does LED light up?	Go to step 2.	Go to step 22.
2	CHECK INDICATOR LIGHT.	Does the combination meter "P" range indicator illuminate?	Go to step 3.	Go to step 26.
3	CHECK "P" RANGE SWITCH.	When the "R" range is selected, does "P" range LED light up?	Go to step 28.	Go to step 4.
4	CHECK "R" RANGE SWITCH.	When the "R" range is selected, does LED light up?	Go to step 5.	Go to step 29.
5	CHECK INDICATOR LIGHT.	Does the combination meter "R" range indicator illuminate?	Go to step 6.	Go to step 32.
6	CHECK "R" RANGE SWITCH.	When the "N" range is selected, does "R" range LED light up?	Go to step 34.	Go to step 7.
7	CHECK "N" RANGE SWITCH.	When the "N" range is selected, does LED light up?	Go to step 8.	Go to step 35.
8	CHECK INDICATOR LIGHT.	Does the combination meter "N" range indicator illuminate?	Go to step 9.	Go to step 38.
9	CHECK "N" RANGE SWITCH.	When the "D" range is selected, does "N" range LED light up?	Go to step 40.	Go to step 10.
10	CHECK "D" RANGE SWITCH.	When the "D" range is selected, does LED light up?	Go to step 11.	Go to step 41.
11	CHECK INDICATOR LIGHT.	Does the combination meter "D" range indicator illuminate?	Go to step 12.	Go to step 44.
12	CHECK "D" RANGE SWITCH.	When the "3" range is selected, does "D" range LED light up?	Go to step 46.	Go to step 13.
13	CHECK "3" RANGE SWITCH.	When the "3" range is selected, does LED light up?	Go to step 14.	Go to step 47.
14	CHECK INDICATOR LIGHT.	Does the combination meter "3" range indicator illuminate?	Go to step 15.	Go to step 50.
15	CHECK "3" RANGE SWITCH.	When the "2" range is selected, does "3" range LED light up?	Go to step 52.	Go to step 16.
16	CHECK "2" RANGE SWITCH.	When the "2" range is selected, does LED light up?	Go to step 17.	Go to step 53.
17	CHECK INDICATOR LIGHT.	Does the combination meter "2" range indicator illuminate?	Go to step 18.	Go to step 56.
18	CHECK "2" RANGE SWITCH.	When the "1" range is selected, does "2" range LED light up?	Go to step 58.	Go to step 19.
19	CHECK "1" RANGE SWITCH.	When the "1" range is selected, does LED light up?	Go to step 20.	Go to step 59.
20	CHECK INDICATOR LIGHT.	Does the combination meter "1" range indicator illuminate?	Go to step 21.	Go to step 62.
21	CHECK "1" RANGE SWITCH.	When the "2" range is selected, does "1" range LED light UP?	Go to step 64.	Go to step CHECK HOLD SWITCH. <Ref. to 4AT(diag)-118, CHECK HOLD SWITCH, Diagnostic Procedure without Diagnostic Trouble Code (DTC).>

Diagnostic Procedure without Diagnostic Trouble Code (DTC)

AUTOMATIC TRANSMISSION (DIAGNOSTICS)

Step	Check	Yes	No
22 CHECK HARNESS CONNECTOR BETWEEN INHIBITOR SWITCH AND CHASSIS GROUND. 1) Turn the ignition switch to OFF. 2) Disconnect the connector from inhibitor switch. 3) Measure the resistance of harness between inhibitor switch and chassis ground. <i>Connector & terminal (T7) No. 5 — Chassis ground:</i>	Is the resistance less than 1 Ω ?	Go to step 23.	Repair the open circuit in harness between inhibitor switch connector and chassis ground, and poor contact in coupling connector.
23 CHECK HARNESS CONNECTOR BETWEEN TCM AND INHIBITOR SWITCH. 1) Turn the ignition switch to OFF. 2) Disconnect the connectors from TCM and inhibitor switch. 3) Measure the resistance of harness between TCM and inhibitor switch connector. <i>Connector & terminal (B55) No. 1 — (T7) No. 9:</i>	Is the resistance less than 1 Ω ?	Go to step 24.	Repair the open circuit in harness between TCM and inhibitor switch connector, and poor contact in coupling connector.
24 CHECK INPUT SIGNAL FOR TCM. 1) Turn the ignition switch to OFF. 2) Connect the connector to TCM and inhibitor switch. 3) Turn the ignition switch to ON. 4) Move the select lever to "P" range. 5) Measure the voltage between TCM and chassis ground. <i>Connector & terminal (B55) No. 1 (+) — Chassis ground (-):</i>	Is the voltage less than 1 V?	Go to step 25.	Go to step 65.
25 CHECK INPUT SIGNAL FOR TCM. 1) Position the select lever to any other than "P" range. 2) Measure the voltage between TCM and chassis ground. <i>Connector & terminal (B55) No. 1 (+) — Chassis ground (-):</i>	Is the voltage more than 8 V?	Go to step 65.	Replace the TCM. <Ref. to 4AT-74, Transmission Control Module (TCM).>
26 CHECK "P" RANGE INDICATOR LIGHT BULB. 1) Turn the ignition switch to OFF. 2) Remove the combination meter. 3) Remove the "P" range indicator light bulb from combination meter.	Is the "P" range indicator light bulb OK?	Go to step 27.	Replace the "P" range indicator light bulb. <Ref. to IDI-11, Combination Meter Assembly.>
27 CHECK HARNESS CONNECTOR BETWEEN TCM AND COMBINATION METER. 1) Disconnect the connectors from TCM and combination meter. 2) Measure the resistance of harness between TCM and combination meter. <i>Connector & terminal (B55) No. 1 — (i12) No. 14:</i>	Is the resistance more than 1 Ω ?	Go to step 65.	Repair the open circuit in harness between TCM connector and combination meter, and poor contact in coupling connector.
28 CHECK HARNESS CONNECTOR BETWEEN TCM AND INHIBITOR SWITCH. 1) Turn the ignition switch to OFF. 2) Disconnect the connectors from TCM, inhibitor switch and combination meter. 3) Measure the resistance of harness between TCM and chassis ground. <i>Connector & terminal (B55) No. 1 — Chassis ground:</i>	Is the resistance less than 1 M Ω ?	Go to step 29.	Repair the ground short circuit in "P" range circuit.

Diagnostic Procedure without Diagnostic Trouble Code (DTC)

AUTOMATIC TRANSMISSION (DIAGNOSTICS)

Step	Check	Yes	No
29 CHECK HARNESS CONNECTOR BETWEEN TCM AND INHIBITOR SWITCH. 1) Turn the ignition switch to OFF. 2) Disconnect the connectors from TCM and inhibitor switch. 3) Measure the resistance of harness between TCM and inhibitor switch connector. <i>Connector & terminal</i> <i>(B55) No. 3 — (T7) No. 8:</i>	Is the resistance less than 1 Ω ?	Go to step 30.	Repair the open circuit in harness between TCM and inhibitor switch connector, and poor contact in coupling connector.
30 CHECK INPUT SIGNAL FOR TCM. 1) Turn the ignition switch to OFF. 2) Connect the connector to TCM and inhibitor switch. 3) Turn the ignition switch to ON. 4) Move the select lever to "R" range. 5) Measure the voltage between TCM and chassis ground. <i>Connector & terminal</i> <i>(B55) No. 3 (+) — Chassis ground (-):</i>	Is the voltage less than 1 V?	Go to step 31.	Go to step 65.
31 CHECK INPUT SIGNAL FOR TCM. 1) Position the select lever to any other than "R" range. 2) Measure the voltage between TCM and chassis ground. <i>Connector & terminal</i> <i>(B55) No. 3 (+) — Chassis ground (-):</i>	Is the voltage more than 8 V?	Go to step 65.	Replace the TCM. <Ref. to 4AT-74, Transmission Control Module (TCM).>
32 CHECK "R" RANGE INDICATOR LIGHT BULB. 1) Turn the ignition switch to OFF. 2) Remove the combination meter. 3) Remove the "R" range indicator light bulb from combination meter.	Is "R" range indicator light bulb OK?	Go to step 33.	Replace the "R" range indicator light bulb. <Ref. to IDI-11, Combination Meter Assembly.>
33 CHECK HARNESS CONNECTOR BETWEEN TCM AND COMBINATION METER. 1) Disconnect the connectors from TCM and combination meter. 2) Measure the resistance of harness between TCM and combination meter. <i>Connector & terminal</i> <i>(B55) No. 3 — (i12) No. 13:</i>	Is the resistance less than 1 Ω ?	Go to step 65.	Repair the open circuit in harness between TCM connector and combination meter, and poor contact in TCM connector.
34 CHECK HARNESS CONNECTOR BETWEEN TCM AND INHIBITOR SWITCH. 1) Turn the ignition switch to OFF. 2) Disconnect the connectors from TCM, inhibitor switch and combination meter. 3) Measure the resistance of harness between TCM and chassis ground. <i>Connector & terminal</i> <i>(B55) No. 3 — Chassis ground:</i>	Is the resistance more than 1 M Ω ?	Go to step 35.	Repair the ground short circuit in "R" range circuit.
35 CHECK HARNESS CONNECTOR BETWEEN TCM AND INHIBITOR SWITCH. 1) Turn the ignition switch to OFF. 2) Disconnect the connectors from TCM and inhibitor switch. 3) Measure the resistance of harness between TCM and inhibitor switch connector. <i>Connector & terminal</i> <i>(B55) No. 14 — (T7) No. 10:</i>	Is the resistance less than 1 Ω ?	Go to step 36.	Repair the open circuit in harness between TCM and inhibitor switch connector, and poor contact in coupling connector.

Diagnostic Procedure without Diagnostic Trouble Code (DTC)

AUTOMATIC TRANSMISSION (DIAGNOSTICS)

Step	Check	Yes	No
36 CHECK INPUT SIGNAL FOR TCM. 1) Turn the ignition switch to OFF. 2) Connect the connector to TCM and inhibitor switch. 3) Turn the ignition switch to ON. 4) Move the select lever to "N" range. 5) Measure the voltage between TCM and chassis ground. <i>Connector & terminal</i> <i>(B55) No. 14 (+) — Chassis ground (-):</i>	Is the voltage less than 1 V?	Go to step 37.	Go to step 65.
37 CHECK INPUT SIGNAL FOR TCM. 1) Position the select lever to any other than "N" range. 2) Measure the voltage between TCM and chassis ground. <i>Connector & terminal</i> <i>(B55) No. 14 (+) — Chassis ground (-):</i>	Is the voltage more than 8 V?	Go to step 65.	Replace the TCM. <Ref. to 4AT-74, Transmission Control Module (TCM).>
38 CHECK "N" RANGE INDICATOR LIGHT BULB. 1) Turn the ignition switch to OFF. 2) Remove the combination meter. 3) Remove the "N" range indicator light bulb from combination meter.	Is the "N" range indicator light bulb OK?	Go to step 39.	Replace the "N" range indicator light bulb. <Ref. to IDI-11, Combination Meter Assembly.>
39 CHECK HARNESS CONNECTOR BETWEEN TCM AND COMBINATION METER. 1) Disconnect the connectors from TCM and combination meter. 2) Measure the resistance of harness between TCM and combination meter. <i>Connector & terminal</i> <i>(B55) No. 14 — (i12) No. 12:</i>	Is the resistance less than 1 Ω ?	Go to step 65.	Repair the open circuit in harness between TCM connector and combination meter, and poor contact in TCM connector.
40 CHECK HARNESS CONNECTOR BETWEEN TCM AND INHIBITOR SWITCH. 1) Turn the ignition switch to OFF. 2) Disconnect the connectors from TCM, inhibitor switch and combination meter. 3) Measure the resistance of harness between TCM and chassis ground. <i>Connector & terminal</i> <i>(B55) No. 14 — Chassis ground:</i>	Is the resistance more than 1 M Ω ?	Go to step 41.	Repair the ground short circuit in "N" range circuit.
41 CHECK HARNESS CONNECTOR BETWEEN TCM AND INHIBITOR SWITCH. 1) Turn the ignition switch to OFF. 2) Disconnect the connectors from TCM and inhibitor switch. 3) Measure the resistance of harness between TCM and inhibitor switch connector. <i>Connector & terminal</i> <i>(B55) No. 4 — (T7) No. 3:</i>	Is the resistance less than 1 Ω ?	Go to step 42.	Repair the open circuit in harness between TCM and inhibitor switch connector, and poor contact in coupling connector.
42 CHECK INPUT SIGNAL FOR TCM. 1) Turn the ignition switch to OFF. 2) Connect the connector to TCM and inhibitor switch. 3) Turn the ignition switch to ON. 4) Move the select lever to "D" range. 5) Measure the voltage between TCM and chassis ground. <i>Connector & terminal</i> <i>(B55) No. 4 (+) — Chassis ground (-):</i>	Is the voltage less than 1 V?	Go to step 43.	Go to step 65.

Diagnostic Procedure without Diagnostic Trouble Code (DTC)

AUTOMATIC TRANSMISSION (DIAGNOSTICS)

Step	Check	Yes	No
43 CHECK INPUT SIGNAL FOR TCM. 1)Position select lever to any other than “D” range. 2)Measure the voltage between TCM and chassis ground. <i>Connector & terminal</i> <i>(B55) No. 4 (+) — Chassis ground (-):</i>	Is the voltage more than 8 V?	Go to step 65.	Replace the TCM. <Ref. to 4AT-74, Transmission Control Module (TCM).>
44 CHECK “D” RANGE INDICATOR LIGHT BULB. 1)Turn the ignition switch to OFF. 2)Remove the combination meter. 3)Remove the “D” range indicator light bulb from combination meter.	Is the “D” range indicator light bulb OK?	Go to step 45.	Replace the “D” range indicator light bulb. <Ref. to IDI-11, Combination Meter Assembly.>
45 CHECK HARNESS CONNECTOR BETWEEN TCM AND COMBINATION METER. 1)Disconnect the connectors from TCM and combination meter. 2)Measure the resistance of harness between TCM and combination meter. <i>Connector & terminal</i> <i>(B55) No. 4 — (i12) No. 11:</i>	Is the resistance less than 1 Ω ?	Go to step 65.	Repair the open circuit in harness between TCM connector and combination meter, and TCM connector.
46 CHECK HARNESS CONNECTOR BETWEEN TCM AND INHIBITOR SWITCH. 1)Turn the ignition switch to OFF. 2)Disconnect the connectors from TCM, inhibitor switch and combination meter. 3)Measure the resistance of harness between TCM and chassis ground. <i>Connector & terminal</i> <i>(B55) No. 4 — Chassis ground:</i>	Is the resistance more than 1 $M\Omega$?	Go to step 47.	Repair the ground short circuit in “D” range circuit.
47 CHECK HARNESS CONNECTOR BETWEEN TCM AND INHIBITOR SWITCH. 1)Turn the ignition switch to OFF. 2)Disconnect the connector from TCM and inhibitor switch. 3)Measure the resistance of harness between TCM and inhibitor switch connector. <i>Connector & terminal</i> <i>(B55) No. 5 — (T7) No. 11:</i>	Is the resistance less than 1 Ω ?	Go to step 48.	Repair the open circuit in harness between TCM and inhibitor switch connector, and poor contact in coupling connector.
48 CHECK INPUT SIGNAL FOR TCM. 1)Turn the ignition switch to OFF. 2)Connect the connector to TCM and inhibitor switch. 3)Turn the ignition switch to ON. 4)Move the select lever to “3” range. 5)Measure the voltage between TCM and chassis ground. <i>Connector & terminal</i> <i>(B55) No. 5 (+) — Chassis ground (-):</i>	Is the voltage less than 1 V?	Go to step 49.	Go to step 65.
49 CHECK INPUT SIGNAL FOR TCM. 1)Position the select lever to any other than “3” range. 2)Measure the voltage between TCM and chassis ground. <i>Connector & terminal</i> <i>(B55) No. 5 (+) — Chassis ground (-):</i>	Is the voltage more than 8 V?	Go to step 65.	Replace the TCM. <Ref. to 4AT-74, Transmission Control Module (TCM).>

Diagnostic Procedure without Diagnostic Trouble Code (DTC)

AUTOMATIC TRANSMISSION (DIAGNOSTICS)

Step	Check	Yes	No
50 CHECK "3" RANGE INDICATOR LIGHT BULB. 1) Turn the ignition switch to OFF. 2) Remove the combination meter. 3) Remove the "3" range indicator light bulb from combination meter.	Is the "3" range indicator light bulb OK?	Go to step 51.	Replace the "3" range indicator light bulb. <Ref. to IDI-11, Combination Meter Assembly.>
51 CHECK HARNESS CONNECTOR BETWEEN TCM AND COMBINATION METER. 1) Disconnect the connectors from TCM and combination meter. 2) Measure the resistance of harness between TCM and combination meter. <i>Connector & terminal (B55) No. 5 — (i12) No. 10:</i>	Is the resistance more than 1 Ω ?	Go to step 65.	Repair the open circuit in harness between TCM connector and combination meter, and poor contact in TCM connector.
52 CHECK HARNESS CONNECTOR BETWEEN TCM AND INHIBITOR SWITCH. 1) Turn the ignition switch to OFF. 2) Disconnect the connectors from TCM, inhibitor switch and combination meter. 3) Measure the resistance of harness between TCM and chassis ground. <i>Connector & terminal (B55) No. 5 — Chassis ground:</i>	Is the resistance more than 1 M Ω ?	Go to step 53.	Repair the ground short circuit in "3" range circuit.
53 CHECK HARNESS CONNECTOR BETWEEN TCM AND INHIBITOR SWITCH. 1) Turn the ignition switch to OFF. 2) Disconnect the connector from TCM and inhibitor switch. 3) Measure the resistance of harness between TCM and inhibitor switch connector. <i>Connector & terminal (B55) No. 6 — (T7) No. 4:</i>	Is the resistance less than 1 Ω ?	Go to step 54.	Repair the open circuit in harness between TCM and inhibitor switch connector, and poor contact in coupling connector.
54 CHECK INPUT SIGNAL FOR TCM. 1) Turn the ignition switch to OFF. 2) Connect the connector to TCM and inhibitor switch. 3) Turn the ignition switch to ON. 4) Move the select lever to "2" range. 5) Measure the voltage between TCM and chassis ground. <i>Connector & terminal (B55) No. 6 (+) — Chassis ground (-):</i>	Is the voltage less than 1 V?	Go to step 55.	Go to step 65.
55 CHECK INPUT SIGNAL FOR TCM. 1) Position the select lever to any other than "2" range. 2) Measure the voltage between TCM and chassis ground. <i>Connector & terminal (B55) No. 6 (+) — Chassis ground (-):</i>	Is the voltage more than 8 V?	Go to step 65.	Replace the TCM. <Ref. to 4AT-74, Transmission Control Module (TCM).>
56 CHECK "2" RANGE INDICATOR LIGHT BULB. 1) Turn the ignition switch to OFF. 2) Remove the combination meter. 3) Remove the "2" range indicator light bulb from combination meter.	Is the "2" range indicator light bulb OK?	Go to step 57.	Replace the "2" range indicator light bulb. <Ref. to IDI-11, Combination Meter Assembly.>

Diagnostic Procedure without Diagnostic Trouble Code (DTC)

AUTOMATIC TRANSMISSION (DIAGNOSTICS)

Step	Check	Yes	No
57 CHECK HARNESS CONNECTOR BETWEEN TCM AND COMBINATION METER. 1) Disconnect the connectors from TCM and combination meter. 2) Measure the resistance of harness between TCM and combination meter. <i>Connector & terminal</i> <i>(B55) No. 6 — (i12) No. 4:</i>	Is the resistance less than 1 Ω ?	Go to step 65 .	Repair the open circuit in harness between TCM and combination meter, and poor contact in TCM connector.
58 CHECK HARNESS CONNECTOR BETWEEN TCM AND INHIBITOR SWITCH. 1) Turn the ignition switch to OFF. 2) Disconnect the connectors from TCM, inhibitor switch and combination meter. 3) Measure the resistance of harness between TCM and chassis ground. <i>Connector & terminal</i> <i>(B55) No. 6 — Chassis ground:</i>	Is the resistance more than 1 M Ω ?	Go to step 59 .	Repair the ground short circuit in "2" range circuit.
59 CHECK HARNESS CONNECTOR BETWEEN TCM AND INHIBITOR SWITCH. 1) Turn the ignition switch to OFF. 2) Disconnect the connectors from TCM and inhibitor switch. 3) Measure the resistance of harness between TCM and inhibitor switch connector. <i>Connector & terminal</i> <i>(B55) No. 7 — (T7) No. 6:</i>	Is the resistance less than 1 Ω ?	Go to step 60 .	Repair the open circuit in harness between TCM and inhibitor switch connector, and poor contact in coupling connector.
60 CHECK INPUT SIGNAL FOR TCM. 1) Turn the ignition switch to OFF. 2) Connect the connector to TCM and inhibitor switch. 3) Turn the ignition switch to ON. 4) Move the select lever to "1" range. 5) Measure the voltage between TCM and chassis ground. <i>Connector & terminal</i> <i>(B55) No. 7 (+) — Chassis ground (-):</i>	Is the voltage less than 1 V?	Go to step 61 .	Go to step 65 .
61 CHECK INPUT SIGNAL FOR TCM. 1) Position the select lever to any other than "1" range. 2) Measure the voltage between TCM and chassis ground. <i>Connector & terminal</i> <i>(B55) No. 7 (+) — Chassis ground (-):</i>	Is the voltage more than 8 V?	Go to step 65 .	Replace the TCM. <Ref. to 4AT-74, Transmission Control Module (TCM).>
62 CHECK "1" RANGE INDICATOR LIGHT BULB. 1) Turn the ignition switch to OFF. 2) Remove the combination meter. 3) Remove the "1" range indicator light bulb from combination meter.	Is the "1" range indicator light bulb OK?	Go to step 63 .	Replace the "1" range indicator light bulb. <Ref. to IDI-11, Combination Meter Assembly.>
63 CHECK HARNESS CONNECTOR BETWEEN TCM AND COMBINATION METER. 1) Disconnect the connectors from TCM and combination meter. 2) Measure the resistance of harness between TCM and combination meter. <i>Connector & terminal</i> <i>(B55) No. 7 — (i12) No. 5:</i>	Is the resistance less than 1 Ω ?	Go to step 65 .	Repair the open circuit in harness between TCM and combination meter, poor contact in TCM connector.

Diagnostic Procedure without Diagnostic Trouble Code (DTC)

AUTOMATIC TRANSMISSION (DIAGNOSTICS)

Step	Check	Yes	No
64 CHECK HARNESS CONNECTOR BETWEEN TCM AND INHIBITOR SWITCH. 1) Turn the ignition switch to OFF. 2) Disconnect the connectors from TCM, inhibitor switch and combination meter. 3) Measure the resistance of harness between TCM and chassis ground. Connector & terminal (B55) No. 7 — Chassis ground:	Is the resistance more than 1 M Ω ?	Go to step 65 .	Repair the ground short circuit in "1" range circuit.
65 CHECK POOR CONTACT.	Is there poor contact in inhibitor switch circuit?	Repair the poor contact.	Go to step 66 .
66 CHECK INHIBITOR SWITCH.	Is the inhibitor switch in specified position?	Replace the TCM.	Adjust the inhibitor switch and select cable. <Ref. to 4AT-52, ADJUSTMENT, Inhibitor Switch.> and <Ref. to CS-13, Select Cable.>

Diagnostic Procedure without Diagnostic Trouble Code (DTC)

AUTOMATIC TRANSMISSION (DIAGNOSTICS)

G: CHECK HOLD SWITCH

DIAGNOSIS:

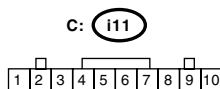
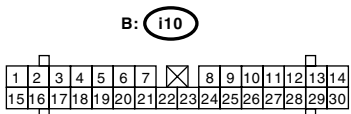
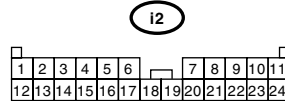
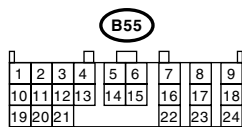
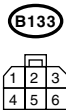
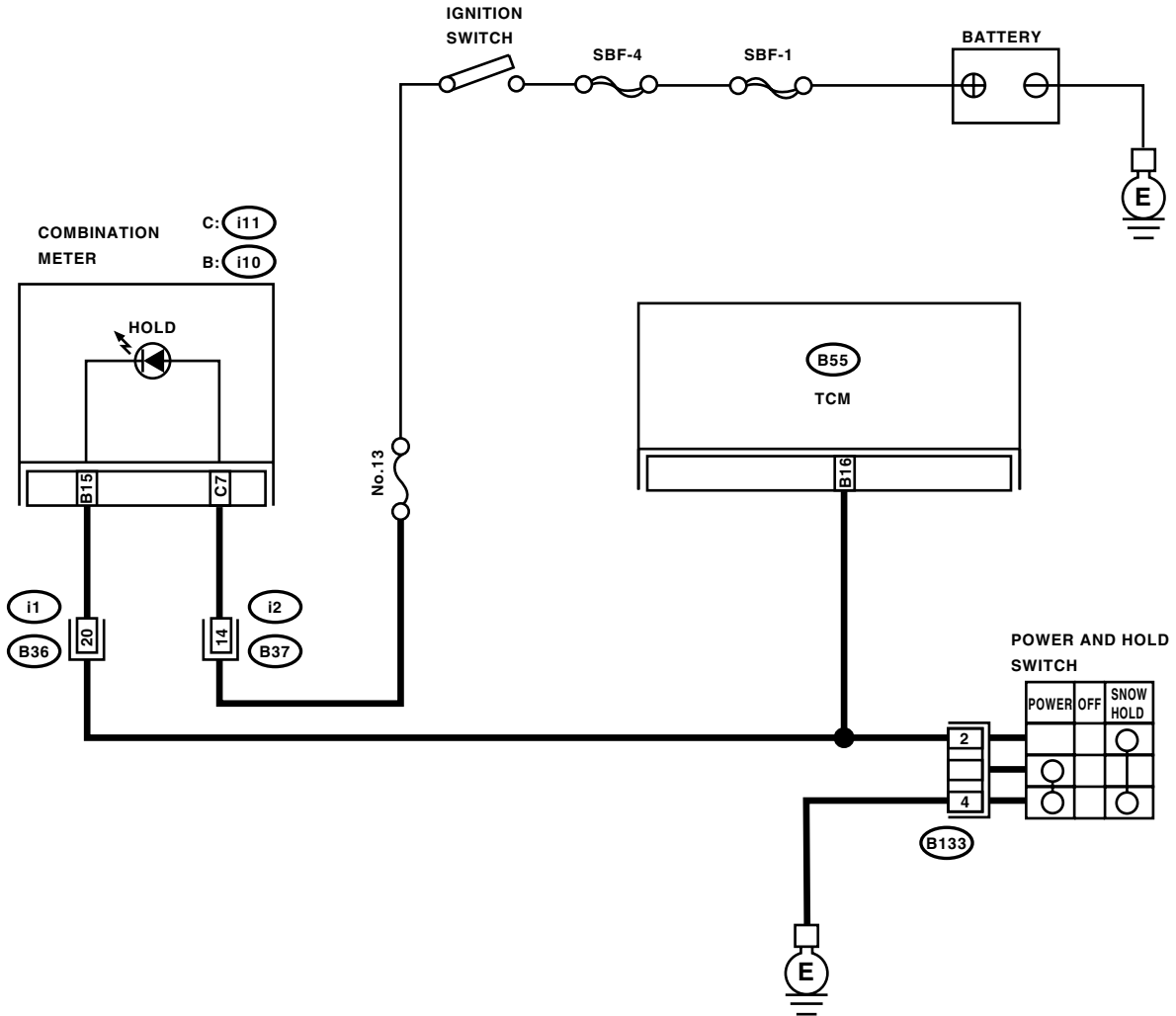
- The LED does not come on when HOLD switch is ON.
- The HOLD switch circuit is open or shorted.

TROUBLE SYMPTOM:

- The 2nd gear is not held.
- Failure of vehicle to start in 2nd gear at "2", "3", "D" ranges.

WIRING DIAGRAM:

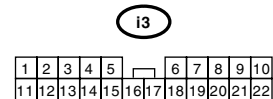
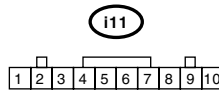
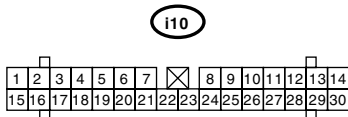
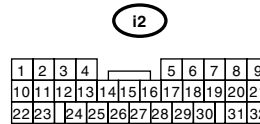
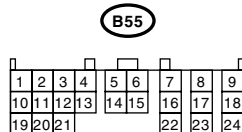
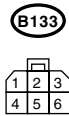
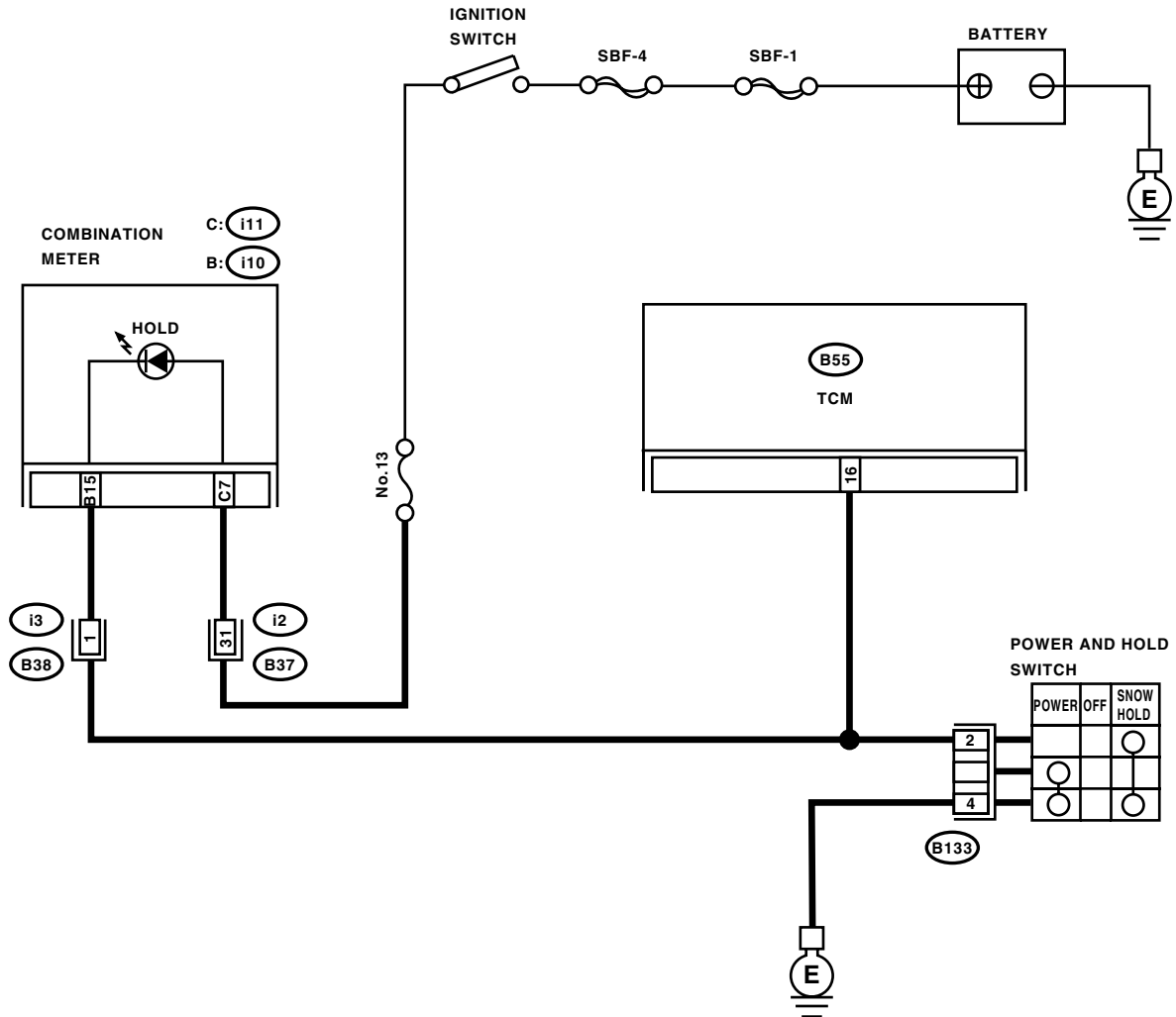
LHD MODEL



Diagnostic Procedure without Diagnostic Trouble Code (DTC)

AUTOMATIC TRANSMISSION (DIAGNOSTICS)

RHD MODEL



AT-02423

Step	Check	Yes	No
1	CHECK HOLD SWITCH OPERATION. When the HOLD switch is turned to OFF, does LED light up?	Go to step 5.	Go to step 2.

Diagnostic Procedure without Diagnostic Trouble Code (DTC)

AUTOMATIC TRANSMISSION (DIAGNOSTICS)

Step	Check	Yes	No
2	CHECK HOLD SWITCH OPERATION.	Go to step CHECK SPORT SHIFT SWITCH. <Ref. to 4AT(diag)-122, CHECK SPORT SHIFT SWITCH, Diagnostic Procedure without Diagnostic Trouble Code (DTC).>	Go to step 3.
3	CHECK HOLD INDICATOR LIGHT. 1)Turn the ignition switch to OFF. 2)Disconnect the connector from TCM. 3)Turn the ignition switch to ON. 4)Short the circuit between combination meter connector and chassis ground. CAUTION: Be sure to short the circuit through fuse. Connector & terminal (i10) No. 15 — Chassis ground:	Go to step 4.	Replace the HOLD indicator light bulb. <Ref. to IDI-11, Combination Meter Assembly.>
4	CHECK HOLD SWITCH GROUND LINE. 1)Turn the ignition switch to OFF. 2)Disconnect the connector from HOLD switch. 3)Measure the resistance of harness connector between HOLD switch and chassis ground. Connector & terminal (B133) No. 4 — Chassis ground:	Go to step 5.	Repair the open circuit in harness between HOLD switch and chassis ground.
5	CHECK HOLD SWITCH. 1)Turn the HOLD switch to ON. 2)Measure the resistance between terminals of HOLD switch. Terminals No. 4 — No. 2:	Go to step 6.	Repair the HOLD switch.
6	CHECK HOLD SWITCH. 1)Turn the HOLD switch to OFF. 2)Measure the resistance between terminals of HOLD switch. Terminals No. 4 — No. 2:	Go to step 7.	Repair the HOLD switch.
7	CHECK HARNESS CONNECTOR BETWEEN TCM AND HOLD SWITCH. 1)Disconnect the connector TCM and combination meter. 2)Measure the resistance of harness connector between TCM and HOLD switch. Connector & terminal (B55) No. 16 — (B133) No. 2:	Go to step 8.	Repair the open circuit in harness between TCM and HOLD switch connector.
8	CHECK HARNESS CONNECTOR BETWEEN TCM AND COMBINATION METER. Measure the resistance of harness connector TCM and combination meter. Connector & terminal (B55) No. 16 — (i10) No. 15:	Go to step 9.	Repair the open circuit in harness between TCM and combination meter.

Diagnostic Procedure without Diagnostic Trouble Code (DTC)

AUTOMATIC TRANSMISSION (DIAGNOSTICS)

Step	Check	Yes	No
9 CHECK HARNESS CONNECTOR BETWEEN TCM AND HOLD SWITCH. Measure the resistance of harness connector between TCM and chassis ground to make sure that circuit does not short. <i>Connector & terminal</i> <i>(B55) No. 16 — Chassis ground:</i>	Is the resistance more than 1 MΩ?	Go to step 10.	Repair the short circuit in harness between TCM and HOLD switch connector.
10 CHECK INPUT SIGNAL FOR TCM. 1)Connect the connectors to TCM and HOLD switch. 2)Turn the ignition switch to ON (engine OFF). 3)Measure the signal voltage for TCM while turning HOLD switch to OFF. <i>Connector & terminal</i> <i>(B55) No. 16 (+) — Chassis ground (-):</i>	Is the voltage more than 8 V?	Go to step 11.	Replace the TCM. <Ref. to 4AT-74, Transmission Control Module (TCM).>
11 CHECK INPUT SIGNAL FOR TCM. Measure the signal voltage for TCM while turning HOLD switch to ON. <i>Connector & terminal</i> <i>(B55) No. 16 (+) — Chassis ground (-):</i>	Is the voltage less than 1 V?	Go to step 12.	Replace the TCM. <Ref. to 4AT-74, Transmission Control Module (TCM).>
12 CHECK POOR CONTACT.	Is there poor contact?	Repair the poor contact.	A temporary poor contact of the connector or harness or connector in HOLD switch circuit.

Diagnostic Procedure without Diagnostic Trouble Code (DTC)

AUTOMATIC TRANSMISSION (DIAGNOSTICS)

H: CHECK SPORT SHIFT SWITCH

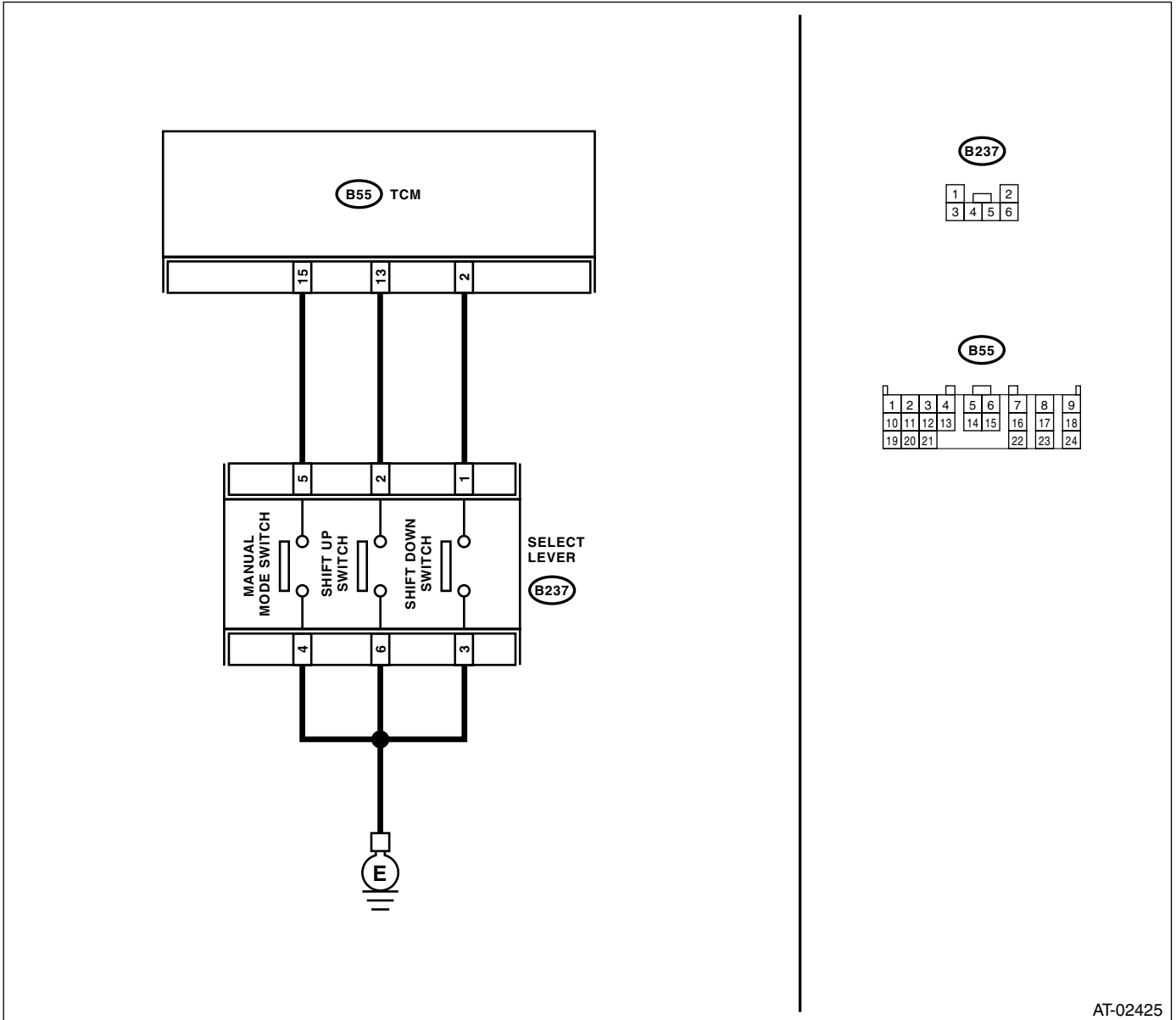
DIAGNOSIS:

The each shift switch input signal circuit is open or shorted.

TROUBLE SYMPTOM:

- No manual mode occurs.
- Does not shift gears in manual mode.

WIRING DIAGRAM:



AT-02425

Diagnostic Procedure without Diagnostic Trouble Code (DTC)

AUTOMATIC TRANSMISSION (DIAGNOSTICS)

Step	Check	Yes	No
1	CHECK VEHICLE.	Go to step 2.	Go to step SYMPTOM RELATED DIAGNOSTIC. <Ref. to 4AT(diag)-131, Symptom Related Diagnostic.>
2	CHECK MANUAL MODE SWITCH.	Go to step 3.	Go to step 5.
3	CHECK SHIFT UP SWITCH.	Go to step 4.	Go to step 12.
4	CHECK SHIFT DOWN SWITCH.	Go to "Inspection of gear position indicator" procedures. <Ref. to 4AT(diag)-127, CHECK GEAR POSITION INDICATOR, Diagnostic Procedure without Diagnostic Trouble Code (DTC).>	Go to step 19.
5	CHECK MANUAL MODE SWITCH GROUND LINE. 1)Turn the ignition switch to OFF. 2)Disconnect the connector from select lever. 3)Measure the resistance of harness between select lever connector and chassis ground. Connector & terminal (B237) No. 4 — Chassis ground:	Go to step 6.	Repair the open circuit in harness between select lever and chassis ground.
6	CHECK MANUAL MODE SWITCH. Measure the resistance between select lever connector terminals. Terminals No. 4 — No. 5:	Go to step 7.	Replace the lever plate assembly.
7	CHECK MANUAL MODE SWITCH. 1)Shift the select lever to manual mode. 2)Measure the resistance between select lever terminals. Terminals No. 4 — No. 5:	Go to step 8.	Replace the lever plate assembly.
8	CHECK HARNESS CONNECTOR BETWEEN TCM AND SELECT LEVER. 1)Disconnect the connector from TCM. 2)Measure the resistance of harness between TCM connector and select lever connector. Connector & terminal (B237) No. 5 — (B55) No. 15:	Go to step 9.	Repair the open circuit in harness between select lever connector and TCM connector and poor contact in coupling connector.
9	CHECK HARNESS CONNECTOR BETWEEN TCM AND SELECT LEVER. 1)Disconnect the connector from TCM. 2)Measure the resistance of harness between select lever connector and chassis ground. Connector & terminal (B237) No. 5 — Chassis ground:	Go to step 10.	Repair the short circuit in harness between select lever connector and TCM connector.

Diagnostic Procedure without Diagnostic Trouble Code (DTC)

AUTOMATIC TRANSMISSION (DIAGNOSTICS)

Step	Check	Yes	No
10 CHECK INPUT SIGNAL FOR TCM. 1)Connect the connector to TCM and select lever. 2)Turn the ignition switch to ON. (Engine is stopped.) 3)Move the select lever to normal mode. 4)Measure the signal voltage for TCM. Connector & terminal (B55) No. 15 (+) — Chassis ground (-):	Is the voltage more than 9 V?	Go to step 11.	Replace the TCM. <Ref. to 4AT-74, Transmission Control Module (TCM).>
11 CHECK INPUT SIGNAL FOR TCM. 1)Move the select lever to manual mode. 2)Measure the signal voltage for TCM. Connector & terminal (B55) No. 15 (+) — Chassis ground (-):	Is the voltage less than 1 V?	Circuit has returned to a normal condition at this time. A temporary poor contact of the connector or harness may be the cause. Repair the harness or connector in sport shift switch circuit.	Go to step 26.
12 CHECK SHIFT UP SWITCH GROUND LINE. 1)Turn the ignition switch to OFF. 2)Disconnect the connector from select lever. 3)Measure the resistance of harness between select lever connector and chassis ground. Connector & terminal (B237) No. 6 — Chassis ground:	Is the resistance less than 1 Ω ?	Go to step 13.	Repair the open circuit in harness between select lever and chassis ground.
13 CHECK SHIFT UP SWITCH. Measure the resistance between select lever terminals. Terminals No. 6 — No. 2:	Is the resistance more than 1 M Ω ?	Go to step 14.	Replace the guide plate assembly.
14 CHECK SHIFT UP SWITCH. 1)Shift the select lever to manual mode. 2)Measure the resistance between select lever connector terminals while holding the select lever to shift side. Terminals No. 6 — No. 2:	Is the resistance less than 1 Ω ?	Go to step 15.	Replace the guide plate assembly.
15 CHECK HARNESS CONNECTOR BETWEEN TCM AND SELECT LEVER. 1)Disconnect the connector from TCM. 2)Measure the resistance of harness between TCM connector and select lever connector. Connector & terminal (B237) No. 2 — (B55) No. 13:	Is the resistance less than 1 Ω ?	Go to step 16.	Repair the open circuit in harness between select lever connector and TCM connector and poor contact in coupling connector.
16 CHECK HARNESS CONNECTOR BETWEEN TCM AND SELECT LEVER. Measure the resistance of harness between select lever connector and chassis ground. Connector & terminal (B237) No. 2 — Chassis ground:	Is the resistance more than 1 M Ω ?	Go to step 17.	Repair the short circuit in harness between select lever connector and TCM connector.
17 CHECK INPUT SIGNAL FOR TCM. 1)Connect the all connectors. 2)Turn the ignition switch to ON. (Engine is stopped.) 3)Measure signal voltage for TCM. Connector & terminal (B55) No. 13 (+) — Chassis ground (-):	Is the voltage more than 9 V?	Go to step 18.	Replace the TCM. <Ref. to 4AT-74, Transmission Control Module (TCM).>

Diagnostic Procedure without Diagnostic Trouble Code (DTC)

AUTOMATIC TRANSMISSION (DIAGNOSTICS)

Step	Check	Yes	No
18 CHECK INPUT SIGNAL FOR TCM. 1) Move the select lever to shift up side. 2) Measure the signal voltage for TCM. Connector & terminal (B55) No. 13 (+) — Chassis ground (-):	Is the voltage less than 1 V?	Circuit has returned to a normal condition at this time. A temporary poor contact of the connector or harness may be the cause. Repair the harness or connector in sport shift switch circuit.	Go to step 26.
19 CHECK SHIFT DOWN SWITCH GROUND LINE. 1) Turn the ignition switch to OFF. 2) Disconnect the connector from select lever. 3) Measure the resistance of harness between select lever connector and chassis ground. Connector & terminal (B237) No. 3 — Chassis ground:	Is the resistance less than 1 Ω ?	Go to step 20.	Repair the open circuit in harness between select lever and chassis ground.
20 CHECK SHIFT DOWN SWITCH. Measure the resistance between select lever connector terminals. Terminals No. 3 — No. 1:	Is the resistance more than 1 M Ω ?	Go to step 21.	Replace the guide plate assembly.
21 CHECK SHIFT DOWN SWITCH. 1) Shift the select lever to shift down and hold it. 2) Measure the resistance between select lever connector terminals while holding the select lever to shift down side. Terminals No. 3 — No. 1:	Is the resistance less than 1 Ω ?	Go to step 22.	Replace the guide plate assembly.
22 CHECK HARNESS CONNECTOR BETWEEN TCM AND SELECT LEVER. 1) Disconnect the connector from TCM. 2) Measure the resistance of harness between TCM connector and select lever connector. Connector & terminal (B237) No. 1 — (B55) No. 2:	Is the resistance less than 1 Ω ?	Go to step 23.	Repair the open circuit in harness between select lever connector and TCM connector and poor contact in coupling connector.
23 CHECK HARNESS CONNECTOR BETWEEN TCM AND SELECT LEVER. 1) Disconnect the select lever connector. 2) Measure the resistance of harness between select lever connector and chassis ground. Connector & terminal (B237) No. 1 — Chassis ground:	Is the resistance more than 1 M Ω ?	Go to step 24.	Repair the short circuit in harness between select lever connector and TCM connector.
24 CHECK INPUT SIGNAL FOR TCM. 1) Connect the all connectors. 2) Turn the ignition switch to ON. (Engine is stopped.) 3) Measure the signal voltage for TCM. Connector & terminal (B55) No. 2 (+) — Chassis ground (-):	Is the voltage more than 9 V?	Go to step 25.	Replace the TCM. <Ref. to 4AT-74, Transmission Control Module (TCM).>

Diagnostic Procedure without Diagnostic Trouble Code (DTC)

AUTOMATIC TRANSMISSION (DIAGNOSTICS)

Step	Check	Yes	No
25 CHECK INPUT SIGNAL FOR TCM. 1)Move the select lever to shift down side. 2)Measure the signal voltage for TCM. Connector & terminal (B55) No. 2 (+) — Chassis ground (-):	Is the voltage less than 1 V?	Circuit has returned to a normal condition at this time. A temporary poor contact of the connector or harness may be the cause. Repair the harness or connector in sport shift switch circuit.	Go to step 26 .
26 CHECK POOR CONTACT.	Is there poor contact in SPORT shift switch circuit?	Repair the poor contact.	Replace the TCM. <Ref. to 4AT-74, Transmission Control Module (TCM).>

Diagnostic Procedure without Diagnostic Trouble Code (DTC)

AUTOMATIC TRANSMISSION (DIAGNOSTICS)

I: CHECK GEAR POSITION INDICATOR

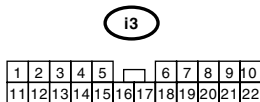
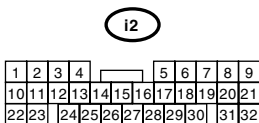
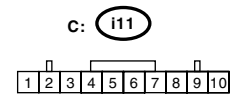
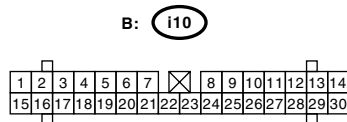
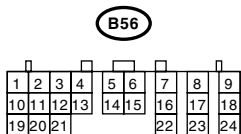
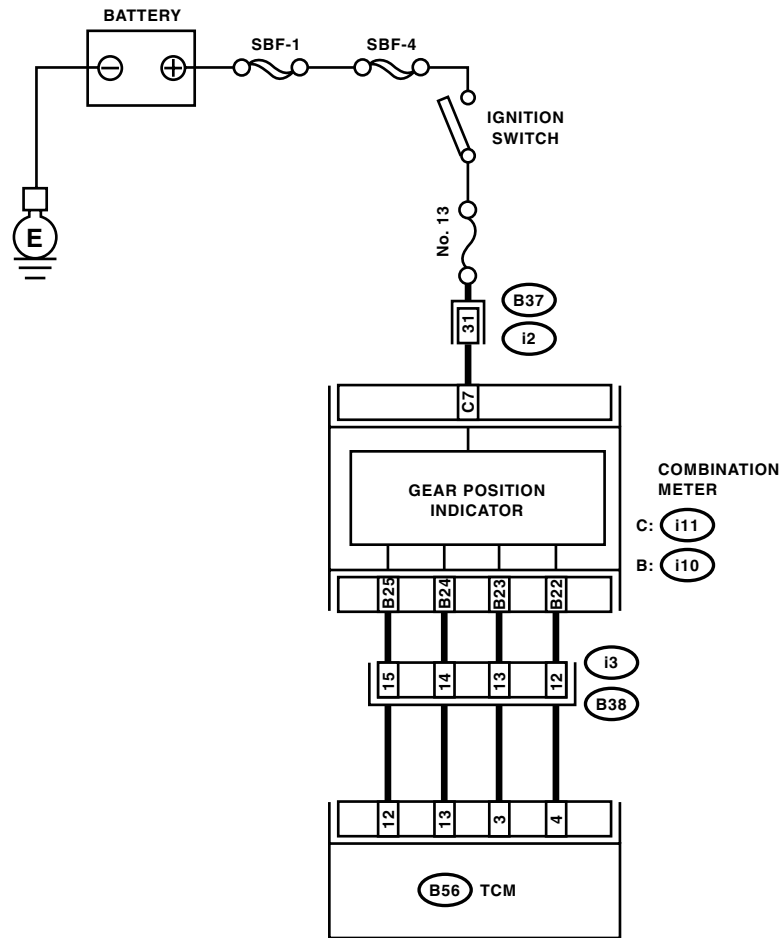
DIAGNOSIS:

The gear position indicator output signal circuit is open or shorted.

TROUBLE SYMPTOM:

- The gear position indicator does not illuminate or remains illuminated.
- The gear position indicator display does not change.

WIRING DIAGRAM:



Diagnostic Procedure without Diagnostic Trouble Code (DTC)

AUTOMATIC TRANSMISSION (DIAGNOSTICS)

Step	Check	Yes	No	
1	CHECK GEAR POSITION INDICATOR.	Does the gear position indicator operate normally when driving in manual mode?	<Ref. to 4AT(diag)-129, CHECK BUZZER, Diagnostic Procedure without Diagnostic Trouble Code (DTC).>	Go to step 2.
2	CHECK COMBINATION METER.	Do the meters and indicators other than gear position indicator operate normally?	Go to step 3.	Check the combination meter.
3	CHECK HARNESS CONNECTOR BETWEEN TCM AND COMBINATION METER. 1)Turn the ignition switch to OFF. 2)Disconnect the connector from TCM and combination meter. 3)Measure the resistance of harness between TCM and combination meter. Connector & terminal (B56) No. 3 — (i10) No. 23: (B56) No. 4 — (i10) No. 22: (B56) No. 12 — (i10) No. 25: (B56) No. 13 — (i10) No. 24:	Is the resistance less than 1 Ω ?	Go to step 4.	Repair the open circuit in harness between TCM and combination meter connector and poor contact in coupling connector.
4	CHECK HARNESS CONNECTOR BETWEEN TCM AND COMBINATION METER. Measure the resistance between TCM and chassis ground. Connector & terminal (B56) No. 3 — Chassis ground: (B56) No. 4 — Chassis ground: (B56) No. 12 — Chassis ground: (B56) No. 13 — Chassis ground:	Is the resistance more than 1 M Ω ?	Go to step 5.	Repair the short circuit in harness between TCM and combination meter connector.
5	CHECK OUTPUT SIGNAL EMITTED FROM TCM. 1)Connect the connector to TCM and combination meter. 2)Turn the ignition switch to ON. (Engine is stopped.) 3)Measure the voltage between TCM and chassis ground. Connector & terminal (B56) No. 3 (+) — Chassis ground (-): (B56) No. 4 (+) — Chassis ground (-): (B56) No. 12 (+) — Chassis ground (-): (B56) No. 13 (+) — Chassis ground (-):	Is the voltage more than 4 V?	Go to step 6.	Replace the combination meter.
6	CHECK POOR CONTACT.	Is there poor contact in gear position indicator circuit?	Repair the poor contact.	Replace the TCM. <Ref. to 4AT-74, Transmission Control Module (TCM).>

Diagnostic Procedure without Diagnostic Trouble Code (DTC)

AUTOMATIC TRANSMISSION (DIAGNOSTICS)

J: CHECK BUZZER

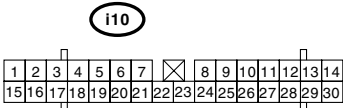
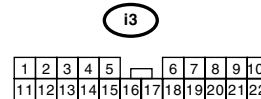
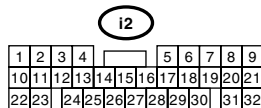
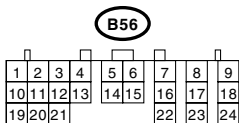
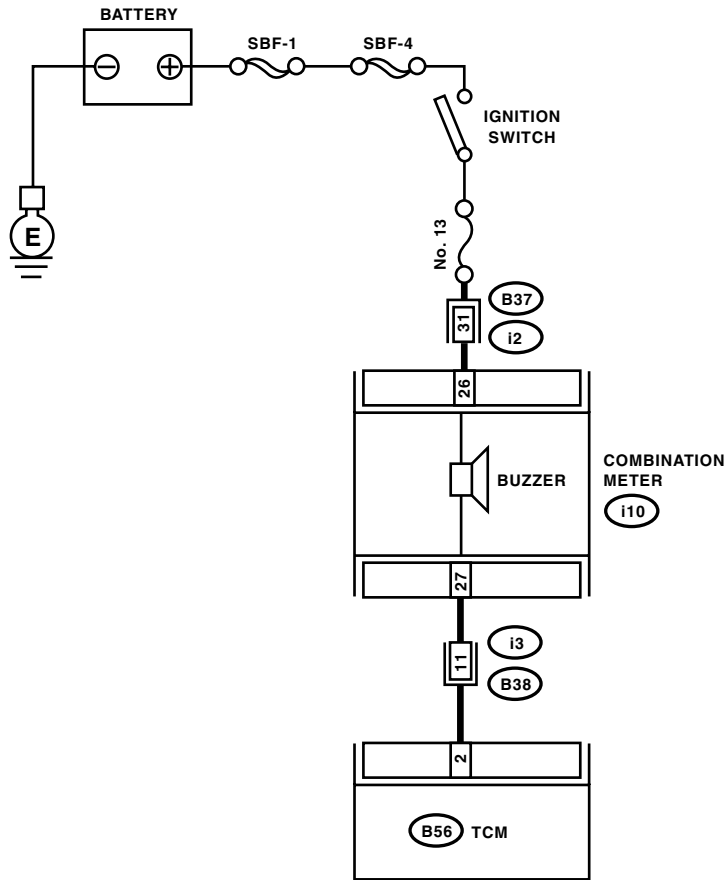
DIAGNOSIS:

The buzzer output signal circuit is open or shorted.

TROUBLE SYMPTOM:

The buzzer remains sounded.

WIRING DIAGRAM:



AT-01160

Diagnostic Procedure without Diagnostic Trouble Code (DTC)

AUTOMATIC TRANSMISSION (DIAGNOSTICS)

Step	Check	Yes	No
1 CHECK HARNESS BETWEEN TCM AND COMBINATION METER. 1) Turn the ignition switch to OFF. 2) Disconnect the connector from combination meter and TCM. 3) Measure the resistance between TCM connector and chassis ground. <i>Connector & terminal</i> <i>(B56) No. 21 — Chassis ground:</i>	Is the resistance more than 1 MΩ?	Go to step 2.	Repair the short circuit in harness between TCM and combination meter connector.
2 CHECK COMBINATION METER. 1) Connect the connector to combination meter. 2) Turn the ignition switch to ON. (Engine is stopped.)	Does the buzzer sound?	Replace the combination meter.	Go to step 3.
3 CHECK POOR CONTACT.	Is there poor contact in buzzer circuit?	Repair the poor contact.	Replace the TCM. <Ref. to 4AT-74, Transmission Control Module (TCM).>

Symptom Related Diagnostic

AUTOMATIC TRANSMISSION (DIAGNOSTICS)

16. Symptom Related Diagnostic

A: INSPECTION

Symptom	Problem parts
Starter does not rotate when select lever is in "P" or "N" range; starter rotates when select lever is in "R", "D", "3" or "2" range.	<ul style="list-style-type: none"> • Inhibitor switch • Select cable • Select lever • Starter motor and harness
Abnormal noise when select lever is in "P" or "N" range.	<ul style="list-style-type: none"> • Strainer • Transfer duty solenoid • Oil pump • Drive plate • ATF level too high or too low
Hissing noise occurs during standing start.	<ul style="list-style-type: none"> • Strainer • ATF level too high or too low
Noise occurs while driving in "D1".	<ul style="list-style-type: none"> • Final gear • Planetary gear • Reduction gear • Differential gear oil level too high or too low
Noise occurs while driving in "D2".	
Noise occurs while driving in "D3".	<ul style="list-style-type: none"> • Final gear • Low & reverse brake • Reduction gear • Differential gear oil level too high or too low
Noise occurs while driving in "D4".	<ul style="list-style-type: none"> • Final gear • Low & reverse brake • Planetary gear • Reduction gear • Differential gear oil level too high or too low
Engine stalls while shifting from one range to another.	<ul style="list-style-type: none"> • Control valve • Lock-up damper • Engine performance • Input shaft
Vehicle moves when select lever is in "N" range.	<ul style="list-style-type: none"> • Low clutch
Shock occurs when select lever is moved from "N" to "D" range.	<ul style="list-style-type: none"> • TCM • Harness • Control valve • ATF deterioration
Excessive time lag occurs when select lever is moved from "N" to "D" range.	<ul style="list-style-type: none"> • Control valve • Low clutch • Line pressure duty solenoid • Seal ring • Front gasket transmission case
Shock occurs when select lever is moved from "N" to "R" range.	<ul style="list-style-type: none"> • TCM • Harness • Control valve • ATF deterioration
Excessive time lag occurs when select lever is moved from "N" to "R" range.	<ul style="list-style-type: none"> • Control valve • Low & reverse clutch • Reverse clutch • Line pressure duty solenoid • Seal ring • Front gasket transmission case
Vehicle does not start in any shift range (engine stalls).	<ul style="list-style-type: none"> • Parking brake mechanism • Planetary gear

Symptom Related Diagnostic

AUTOMATIC TRANSMISSION (DIAGNOSTICS)

Symptom	Problem parts
Vehicle does not start in any shift range (engine revving up).	<ul style="list-style-type: none"> • Strainer • Line pressure duty solenoid • Control valve • Drive pinion • Hypoid gear • Axle shaft • Differential gear • Oil pump • Input shaft • Output shaft • Planetary gear • Drive plate • ATF level too low • Front gasket transmission case
Vehicle does not start in "R" range only (engine revving up).	<ul style="list-style-type: none"> • Select cable • Select lever • Control valve • Low & reverse clutch • Reverse clutch
Vehicle does not start in "R" range only (engine stalls).	<ul style="list-style-type: none"> • Low clutch • 2-4 brake • Planetary gear • Parking brake mechanism
Vehicle does not start in "D", "3" range only (engine revving up).	<ul style="list-style-type: none"> • Low clutch • One-way clutch
Vehicle does not start in "D", "3" or "2" range only (engine revving up).	<ul style="list-style-type: none"> • Low clutch
Vehicle does not start in "D", "3" or "2" range only (engine stalls).	<ul style="list-style-type: none"> • Reverse clutch
Vehicle starts in "R" range only (engine revving up).	<ul style="list-style-type: none"> • Control valve
Acceleration during standing starts is poor (high stall rpm).	<ul style="list-style-type: none"> • Control valve • Low clutch • Reverse clutch • ATF level too low • Front gasket transmission case • Differential gear oil level too high or too low
Acceleration during standing starts is poor (low stall rpm).	<ul style="list-style-type: none"> • Oil pump • Torque converter one-way clutch • Engine performance
Acceleration is poor when select lever is in "D", "3" or "2" range (normal stall rpm).	<ul style="list-style-type: none"> • TCM • Control valve • High clutch • 2-4 brake • Planetary gear
Acceleration is poor when select lever is in "R" (normal stall rpm).	<ul style="list-style-type: none"> • Control valve • High clutch • 2-4 brake • Planetary gear
No shift occurs from 1st to 2nd gear.	<ul style="list-style-type: none"> • TCM • Rear vehicle speed sensor • Front vehicle speed sensor • Throttle position sensor • Shift solenoid 1 • Control valve • 2-4 brake
No shift occurs from 2nd to 3rd gear.	<ul style="list-style-type: none"> • TCM • Control valve • High clutch • Shift solenoid 2

Symptom Related Diagnostic

AUTOMATIC TRANSMISSION (DIAGNOSTICS)

Symptom	Problem parts
No shift occurs from 3rd to 4th gear.	<ul style="list-style-type: none"> • TCM • Shift solenoid 1 • ATF temperature sensor • Control valve • 2-4 brake
Engine brake is not effected when select lever is in "3" range.	<ul style="list-style-type: none"> • Inhibitor switch • TCM • Throttle position sensor • Control valve
Engine brake is not effected when select lever is in "3" or "2" range.	<ul style="list-style-type: none"> • Control valve
Engine brake is not effected when select lever is in "1" range.	<ul style="list-style-type: none"> • Control valve • Low & reverse brake
Shift characteristics are erroneous.	<ul style="list-style-type: none"> • Inhibitor switch • TCM • Front vehicle speed sensor • Rear vehicle speed sensor • Throttle position sensor • Control valve • Ground earth
No lock-up occurs.	<ul style="list-style-type: none"> • TCM • Throttle position sensor • ATF temperature sensor • Control valve • Lock-up facing • Engine speed signal
Parking brake is not effected.	<ul style="list-style-type: none"> • Select cable
Shift lever cannot be moved or is hard to move from "P" range.	<ul style="list-style-type: none"> • Select lever • Parking mechanism
ATF spurts out.	<ul style="list-style-type: none"> • ATF level too high
Differential oil spurts out.	<ul style="list-style-type: none"> • Differential gear oil too high
Differential oil level changes excessively.	<ul style="list-style-type: none"> • Seal pipe • Double oil seal
Odor is produced from ATF supply pipe.	<ul style="list-style-type: none"> • High clutch • 2-4 brake • Low & reverse clutch • Reverse clutch • Lock-up facing • ATF deterioration
Shock occurs from 1st to 2nd gear.	<ul style="list-style-type: none"> • TCM • Throttle position sensor • 2-4 brake duty solenoid • ATF temperature sensor • Line pressure duty solenoid • Control valve • 2-4 brake • ATF deterioration • Engine performance • 2-4 brake timing solenoid
Slippage occurs from 1st to 2nd gear.	<ul style="list-style-type: none"> • TCM • Throttle position sensor • 2-4 brake duty solenoid • ATF temperature sensor • Line pressure duty solenoid • Control valve • 2-4 brake • 2-4 brake timing solenoid • High clutch

Symptom Related Diagnostic

AUTOMATIC TRANSMISSION (DIAGNOSTICS)

Symptom	Problem parts
Shock occurs from 2nd to 3rd gear.	<ul style="list-style-type: none"> • TCM • Throttle position sensor • 2-4 brake duty solenoid • ATF temperature sensor • Line pressure duty solenoid • Control valve • High clutch • 2-4 brake • ATF deterioration • Engine performance • 2-4 brake timing solenoid
Slippage occurs from 2nd to 3rd gear.	<ul style="list-style-type: none"> • TCM • Throttle position sensor • 2-4 brake duty solenoid • ATF temperature sensor • Line pressure duty solenoid • Control valve • High clutch • 2-4 brake • 2-4 brake timing solenoid
Shock occurs from 3rd to 4th gear.	<ul style="list-style-type: none"> • TCM • Throttle position sensor • 2-4 brake duty solenoid • ATF temperature sensor • Line pressure duty solenoid • Control valve • 2-4 brake timing solenoid • 2-4 brake • ATF deterioration • Engine performance • Low clutch timing solenoid • Low clutch
Slippage occurs from 3rd to 4th gear.	<ul style="list-style-type: none"> • TCM • Throttle position sensor • 2-4 brake duty solenoid • ATF temperature sensor • Line pressure duty solenoid • Control valve • 2-4 brake • 2-4 brake timing solenoid
Shock occurs when select lever is moved from "3" to "2" range.	<ul style="list-style-type: none"> • TCM • Throttle position sensor • ATF temperature sensor • Line pressure duty solenoid • Control valve • 2-4 brake duty solenoid • 2-4 brake • ATF deterioration • 2-4 brake timing solenoid
Shock occurs when select lever is moved from "D" to "1" range.	<ul style="list-style-type: none"> • TCM • Throttle position sensor • ATF temperature sensor • Line pressure duty solenoid • Control valve • ATF deterioration • 2-4 brake duty solenoid • 2-4 brake timing solenoid • Low clutch timing solenoid

Symptom Related Diagnostic

AUTOMATIC TRANSMISSION (DIAGNOSTICS)

Symptom	Problem parts
Shock occurs when select lever is moved from "2" to "1" range.	<ul style="list-style-type: none"> • TCM • Throttle position sensor • ATF temperature sensor • Line pressure duty solenoid • Control valve • Low & reverse clutch • ATF deterioration • 2-4 brake duty solenoid • 2-4 brake timing solenoid • Low clutch timing solenoid
Shock occurs when accelerator pedal is released at medium speeds.	<ul style="list-style-type: none"> • TCM • Throttle position sensor • ATF temperature sensor • Line pressure duty solenoid • Control valve • Lock-up damper • Engine performance • 2-4 brake duty solenoid • 2-4 brake timing solenoid • Low clutch timing solenoid
Vibration occurs during straight-forward operation.	<ul style="list-style-type: none"> • TCM • Lock-up duty solenoid • Lock-up facing • Lock-up damper • HOLD switch
Vibration occurs during turns (tight corner "braking" phenomenon).	<ul style="list-style-type: none"> • TCM • Front vehicle speed sensor • Rear vehicle speed sensor • Throttle position sensor • ATF temperature sensor • Transfer clutch • Transfer valve • Transfer duty solenoid • ATF deterioration • Harness • HOLD switch
Front wheel slippage occurs during standing starts.	<ul style="list-style-type: none"> • TCM • Front vehicle speed sensor • FWD switch • Throttle position sensor • ATF temperature sensor • Control valve • Transfer clutch • Transfer valve • Transfer pipe • Transfer duty solenoid
Vehicle is not set in FWD mode.	<ul style="list-style-type: none"> • TCM • FWD switch • Transfer clutch • Transfer valve • Transfer duty solenoid
Select lever is hard to move.	<ul style="list-style-type: none"> • Select cable • Select lever • Detente spring • Manual plate

Symptom Related Diagnostic

AUTOMATIC TRANSMISSION (DIAGNOSTICS)

Symptom	Problem parts
Select lever is too high to move (unreasonable resistance).	<ul style="list-style-type: none">• Detente spring• Manual plate
Select lever slips out of operation during acceleration or while driving on rough terrain.	<ul style="list-style-type: none">• Select cable• Select lever• Detente spring• Manual plate