

**WIRING SYSTEM SECTION**

**WIRING SYSTEM**

**WI**

This service manual has been prepared to provide SUBARU service personnel with the necessary information and data for the correct maintenance and repair of SUBARU vehicles.

This manual includes the procedures for maintenance, disassembling, reassembling, inspection and adjustment of components and diagnostics for guidance of experienced mechanics.

Please peruse and utilize this manual fully to ensure complete repair work for satisfying our customers by keeping their vehicle in optimum condition. When replacement of parts during repair work is needed, be sure to use SUBARU genuine parts.

All information, illustration and specifications contained in this manual are based on the latest product information available at the time of publication approval.

# WIRING SYSTEM



---

	<b>Page</b>
1. Basic Diagnostics Procedure .....	3
2. Working Precautions .....	14
3. Power Supply Routing.....	15
4. Ground Distribution .....	29
5. Airbag System.....	47
6. Air Conditioning System.....	53
7. Anti-lock Brake System .....	65
8. AT Control System .....	71
9. Audio System .....	83
10. Charging System.....	87
11. Combination Meter.....	89
12. Cruise Control System .....	97
13. Engine Coolant Temperature Gauge System .....	100
14. Engine Electrical System .....	102
15. Fuel Gauge System .....	177
16. Full-Time Dual-Range System .....	179
17. Front Accessory Power Supply System.....	181
18. Headlight Beam Leveler System.....	182
19. Horn System .....	183
20. Immobilizer System.....	184
21. Keyless Entry System .....	188
22. Back-up Light System .....	197
23. Clearance Light and Illumination Light System .....	198
24. Front Fog Light System.....	210
25. Headlight System .....	213
26. In Compartment Light System.....	215
27. Stop Light System .....	219
28. Turn Signal Light and Hazard Light System.....	220
29. Oil Pressure Warning Light System .....	224
30. Outside Temperature Display System .....	226
31. Parking Brake and Brake Fluid Level Warning System .....	228
32. Power Window System .....	230
33. Radiator Fan System .....	238
34. Rear Fog Light System .....	240
35. Rear Window Defogger System.....	242
36. Remote Controlled Rearview Mirror System.....	244
37. Seat Belt Warning System .....	246
38. Seat Heater System .....	250
39. Security System .....	251
40. Starter System .....	253
41. Sunroof System.....	255
42. Wiper and Washer System (Front).....	256
43. Wiper and Washer System (Rear) .....	258

## WIRING SYSTEM

---

44.	Intercooler Water Spray System .....	260
45.	Driver's Control Center Differential Control System .....	262
46.	Rear Differential Oil Temperature Warning Light System .....	266
47.	Harness Components Location .....	268
48.	Front Wiring Harness .....	270
49.	Bulkhead Wiring Harness (In Engine Room) .....	274
50.	Bulkhead Wiring Harness (In Compartment) .....	282
51.	Engine Wiring Harness and Transmission Cord .....	288
52.	Instrument Panel Wiring Harness .....	294
53.	Rear Wiring Harness, Bulkhead Wiring Harness, Roof Cord and Fuel Tank Cord .....	298
54.	Door Cord .....	304
55.	Rear Wiring Harness and Trunk Lid Cord .....	308
56.	Rear Wiring Harness and Rear Gate Cord .....	310

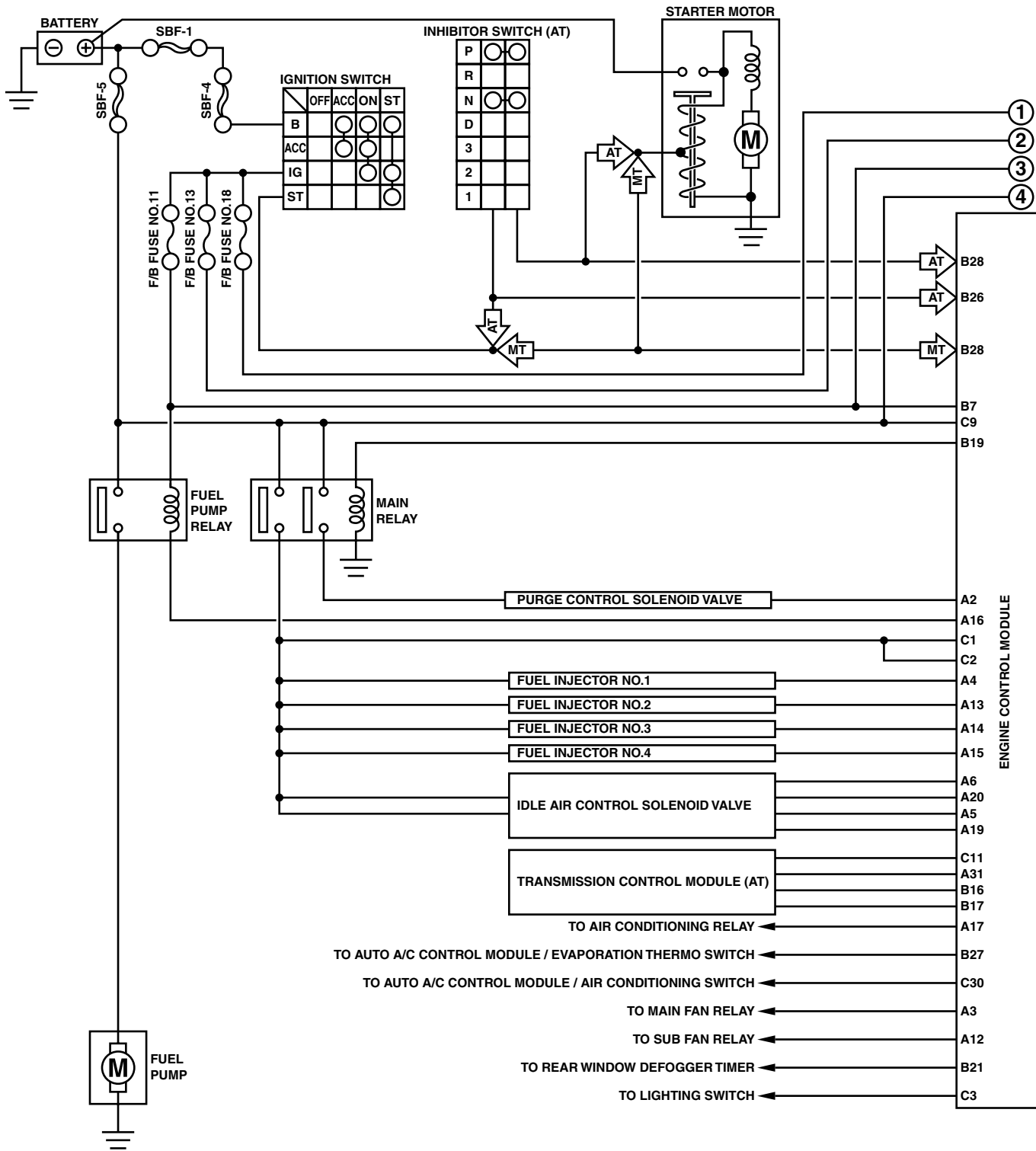
# Engine Electrical System

WIRING SYSTEM

## 14. Engine Electrical System

### A: WIRING DIAGRAM

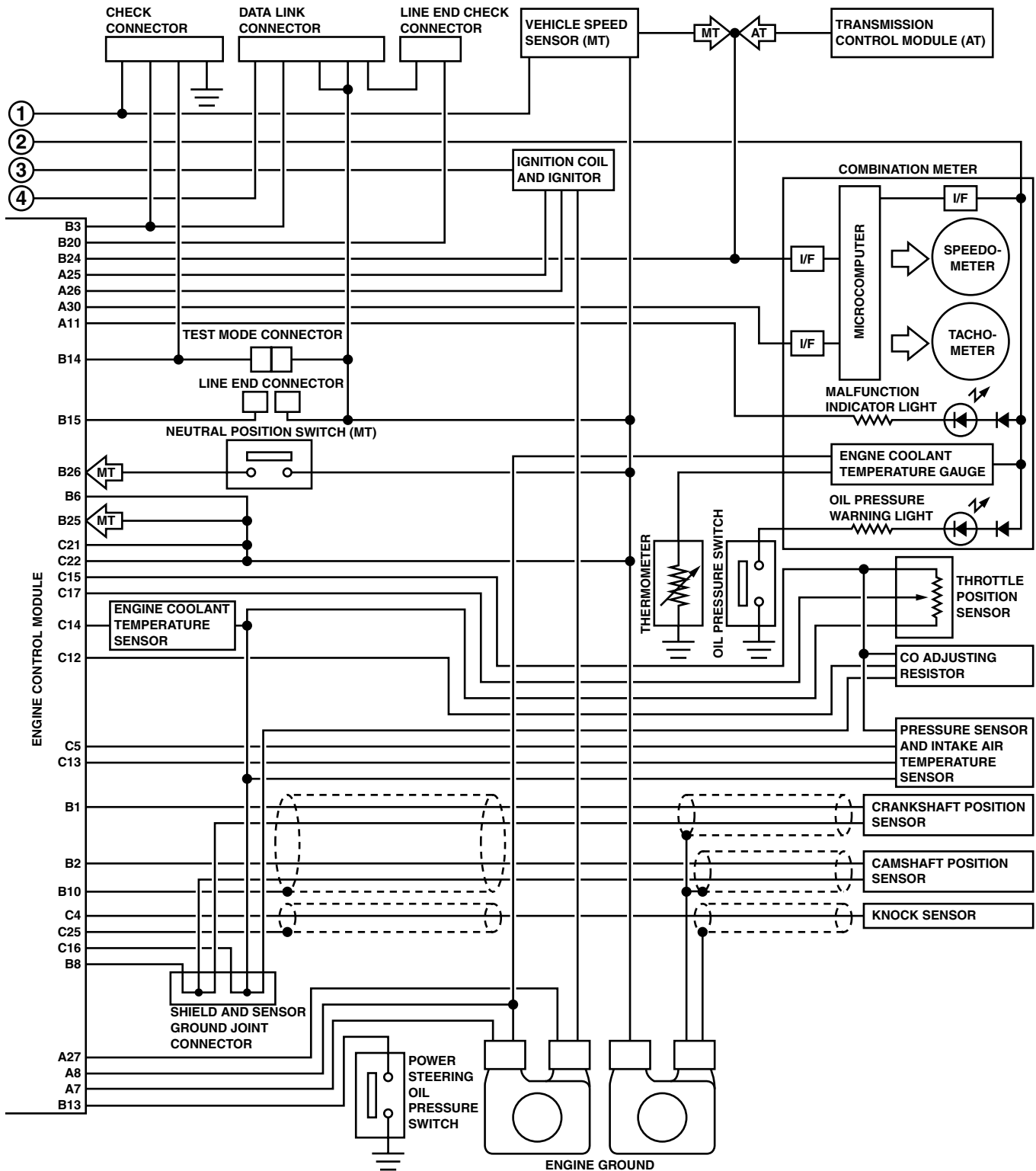
#### 1. LHD SOHC W/O OBD MODEL



WI-04466

# Engine Electrical System

WIRING SYSTEM



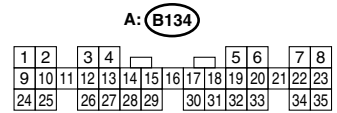
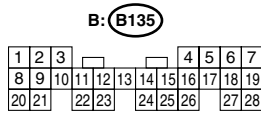
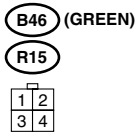
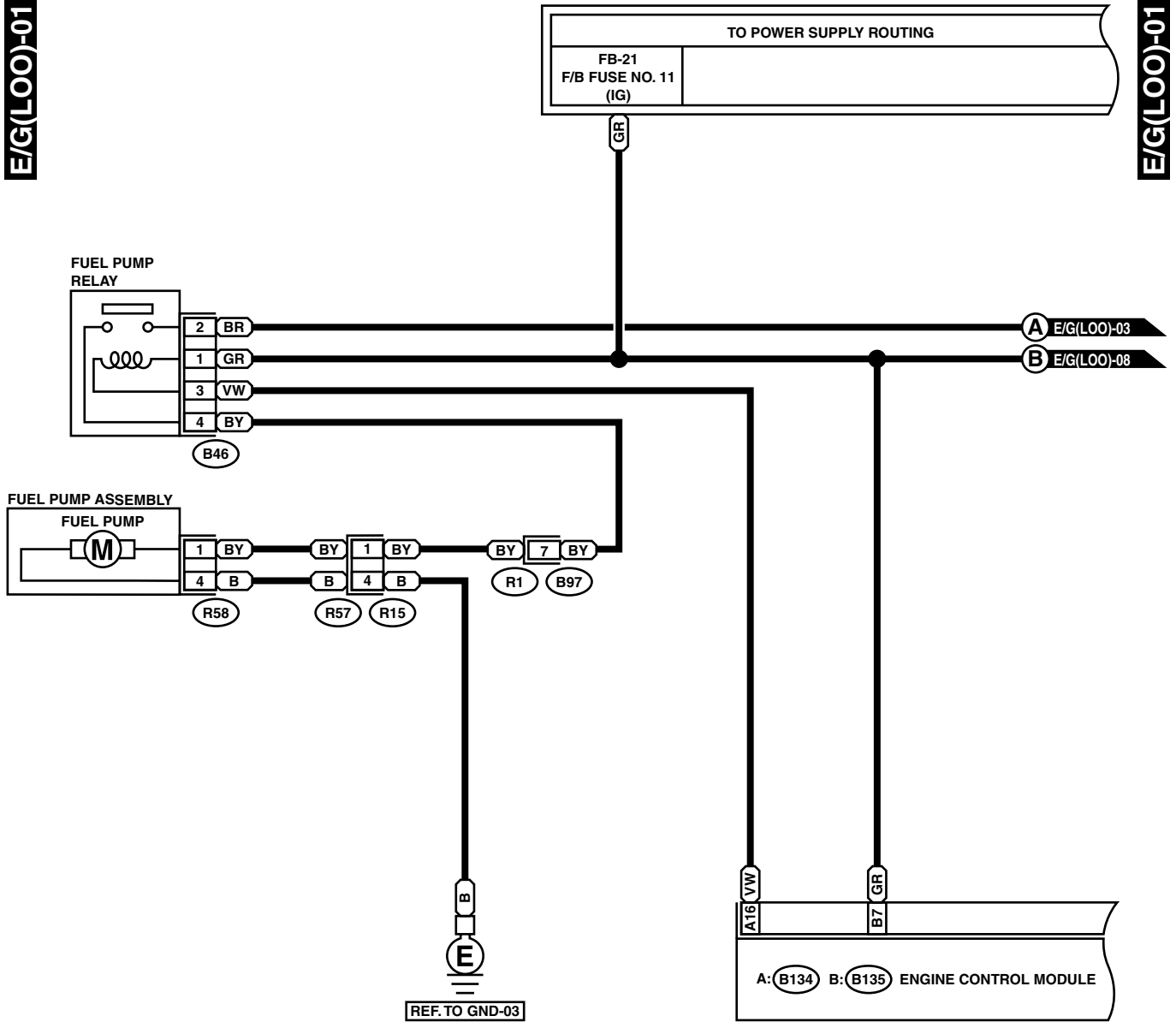
WI-02560

# Engine Electrical System

WIRING SYSTEM

E/G(LOO)-01

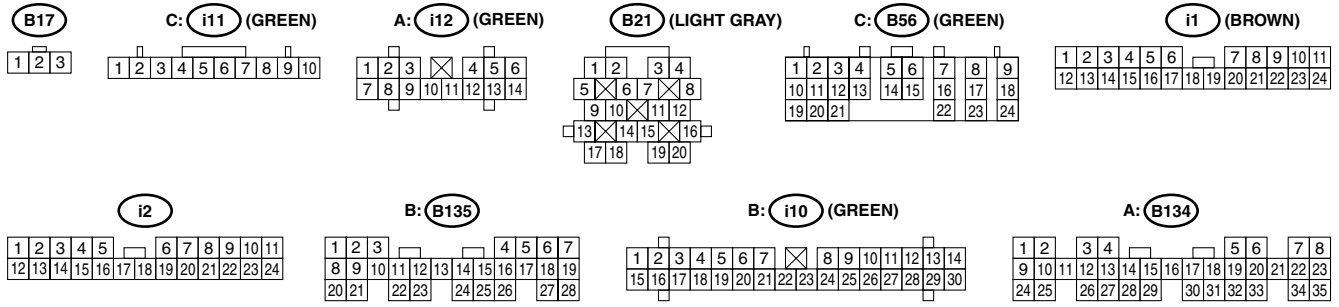
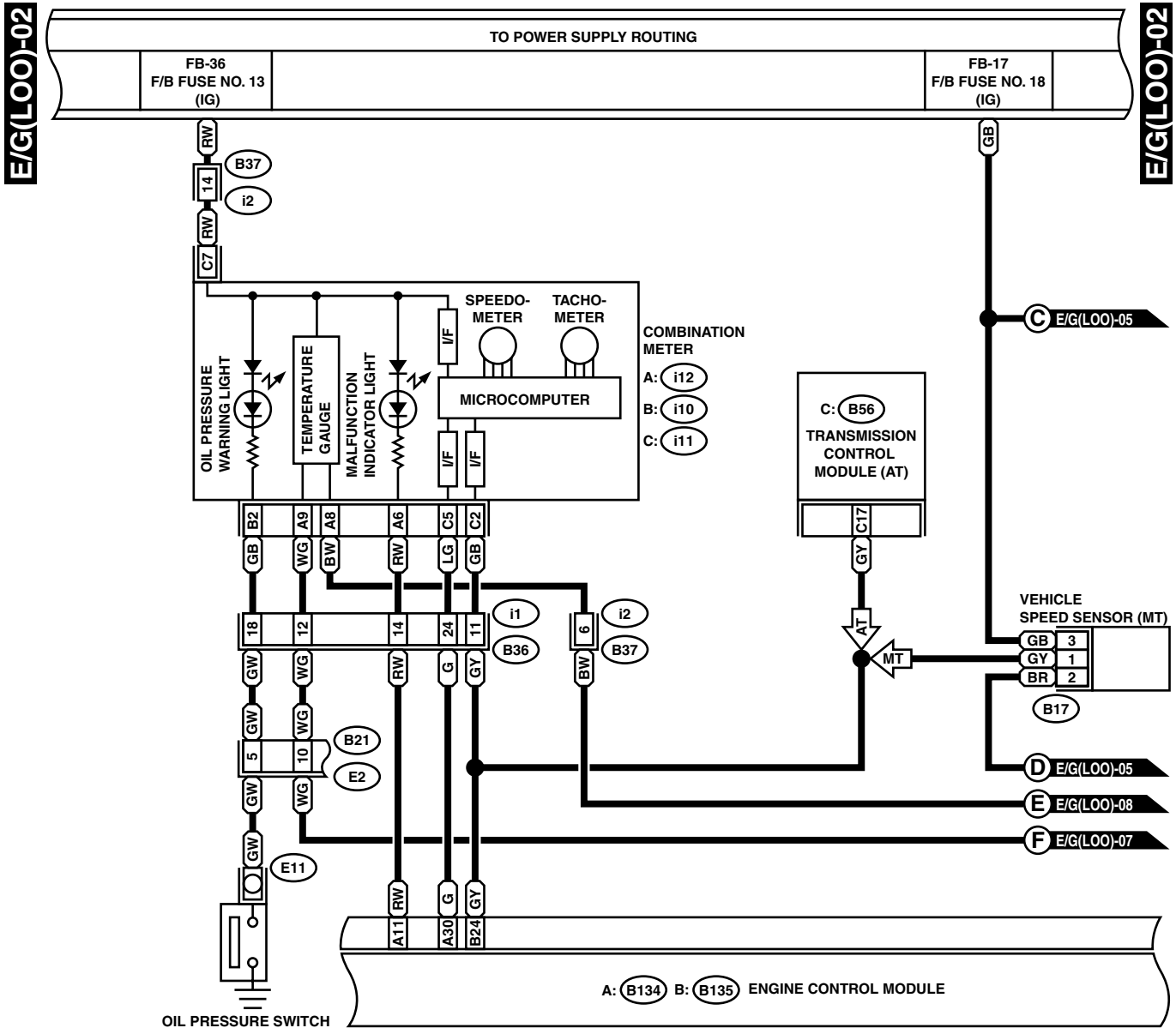
E/G(LOO)-01



WI-02307

# Engine Electrical System

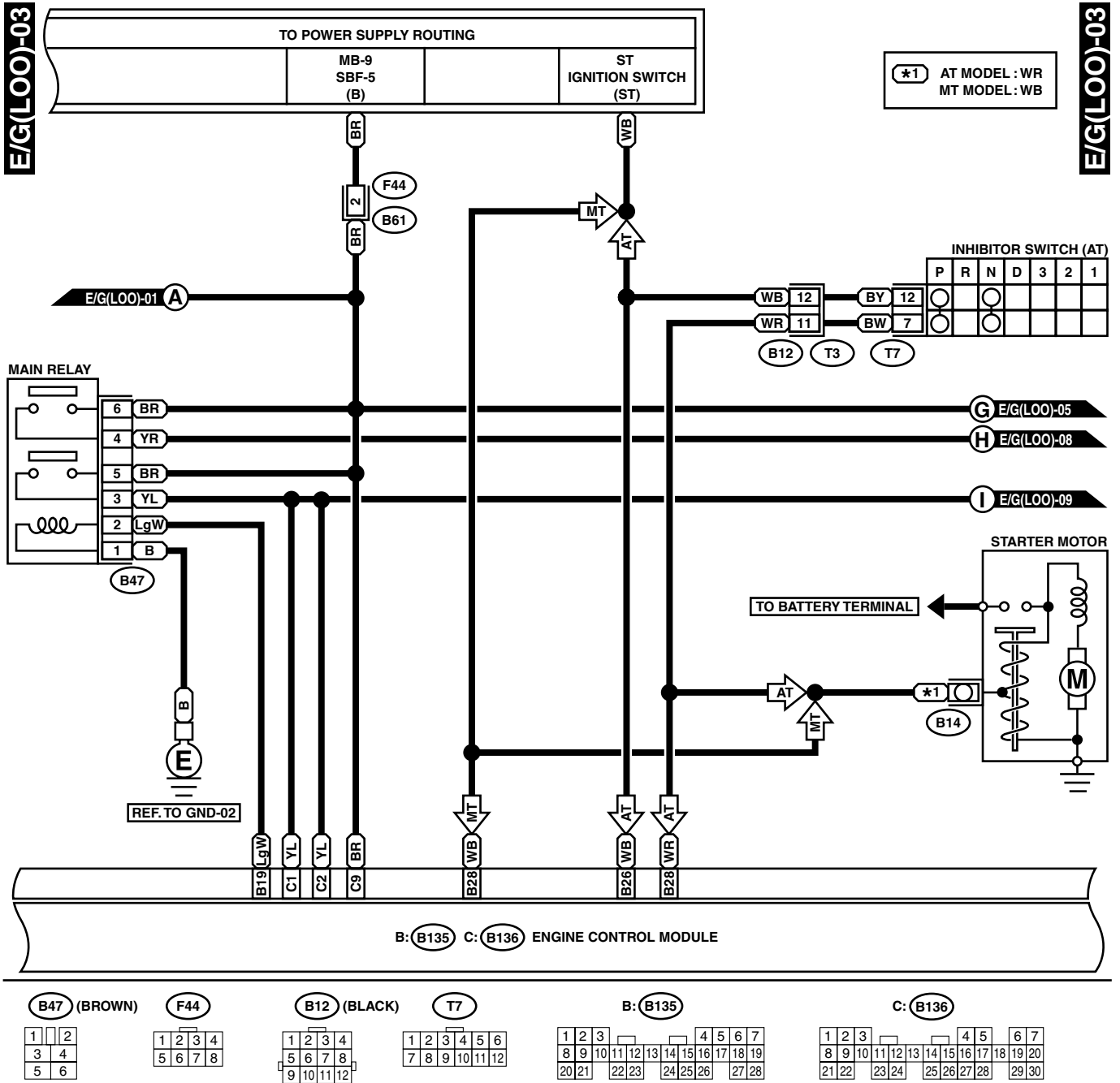
WIRING SYSTEM



WI-02308

# Engine Electrical System

WIRING SYSTEM

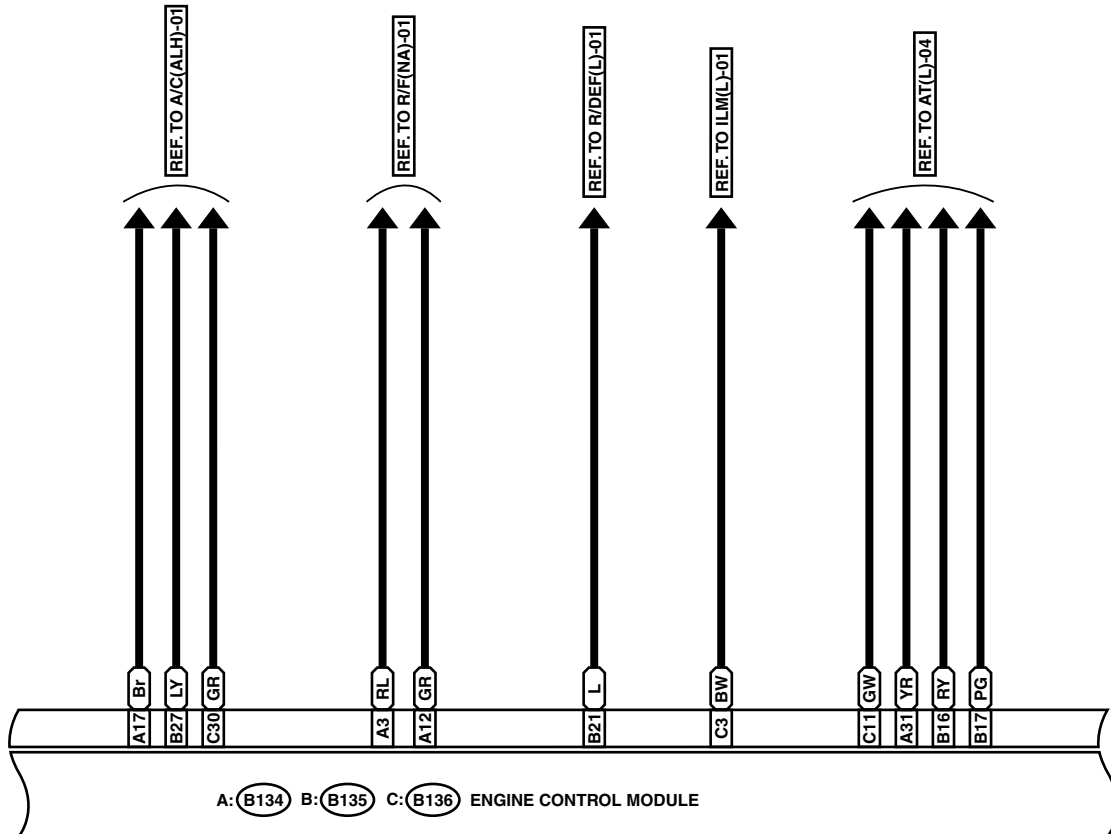


WI-02309



E/G(LOO)-04

E/G(LOO)-04



B: (B135)

1	2	3		4	5	6	7				
8	9	10	11	12	13	14	15	16	17	18	19
20	21	22	23	24	25	26	27	28			

C: (B136)

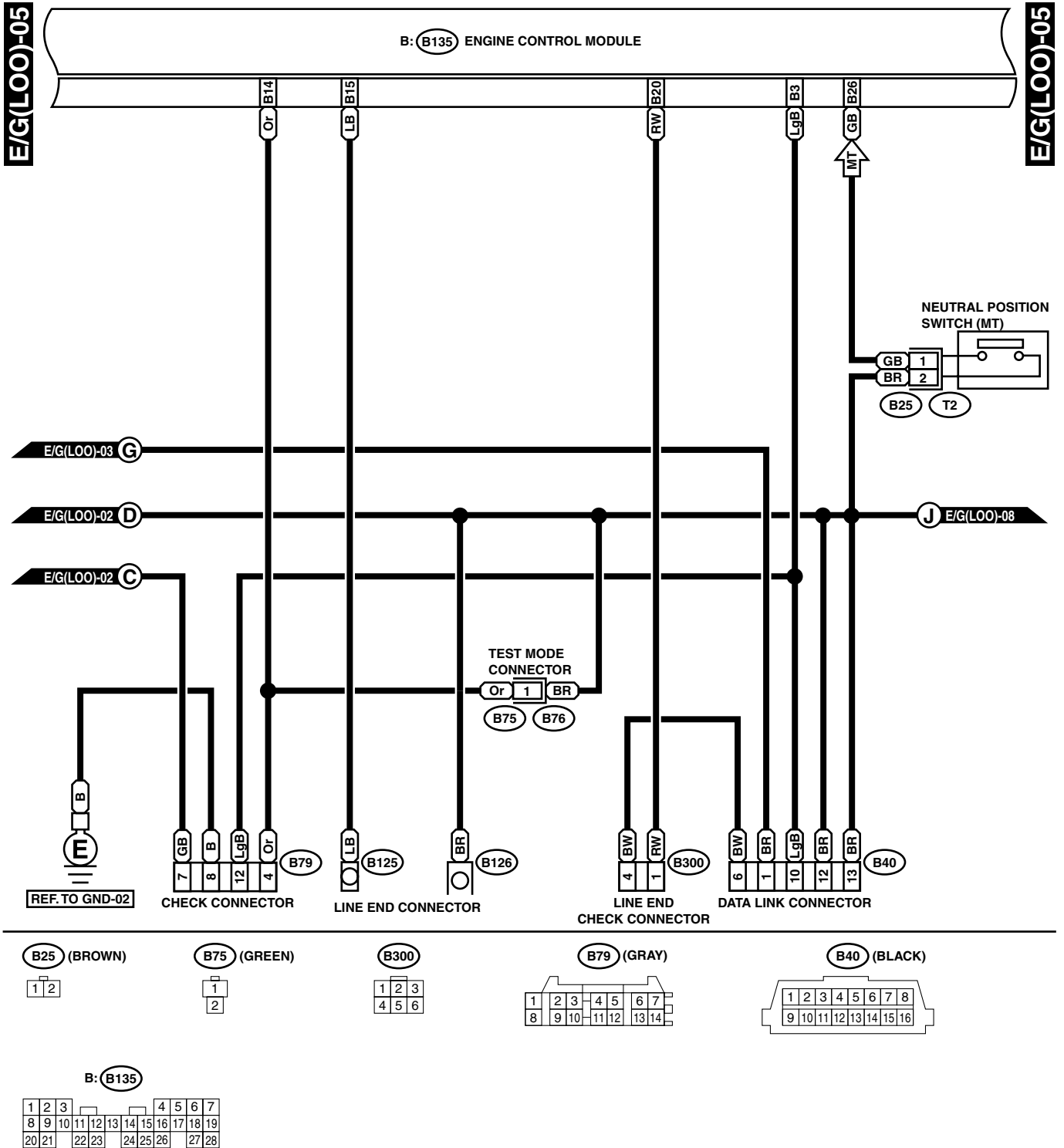
1	2	3		4	5	6	7					
8	9	10	11	12	13	14	15	16	17	18	19	20
21	22	23	24	25	26	27	28	29	30			

A: (B134)

1	2	3	4		5	6	7	8						
9	10	11	12	13	14	15	16	17	18	19	20	21	22	23
24	25	26	27	28	29	30	31	32	33	34	35			

# Engine Electrical System

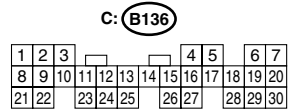
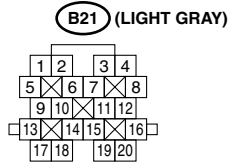
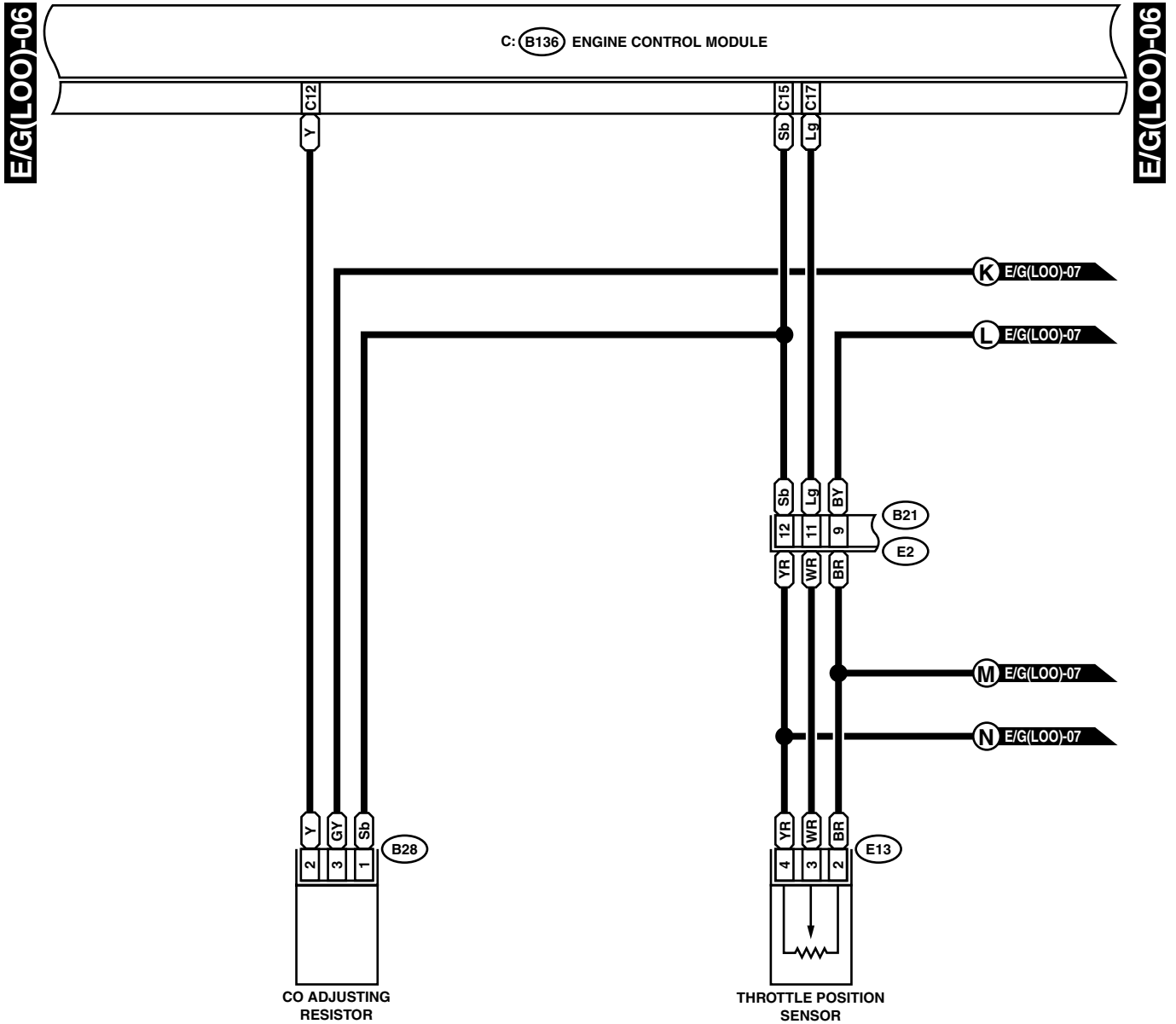
WIRING SYSTEM



WI-02311

# Engine Electrical System

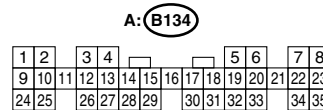
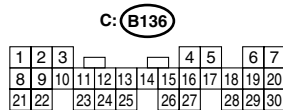
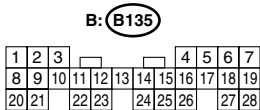
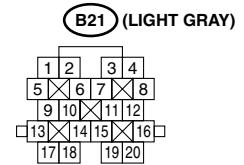
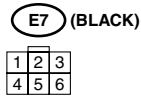
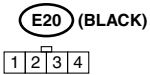
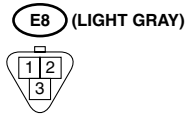
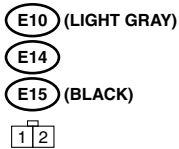
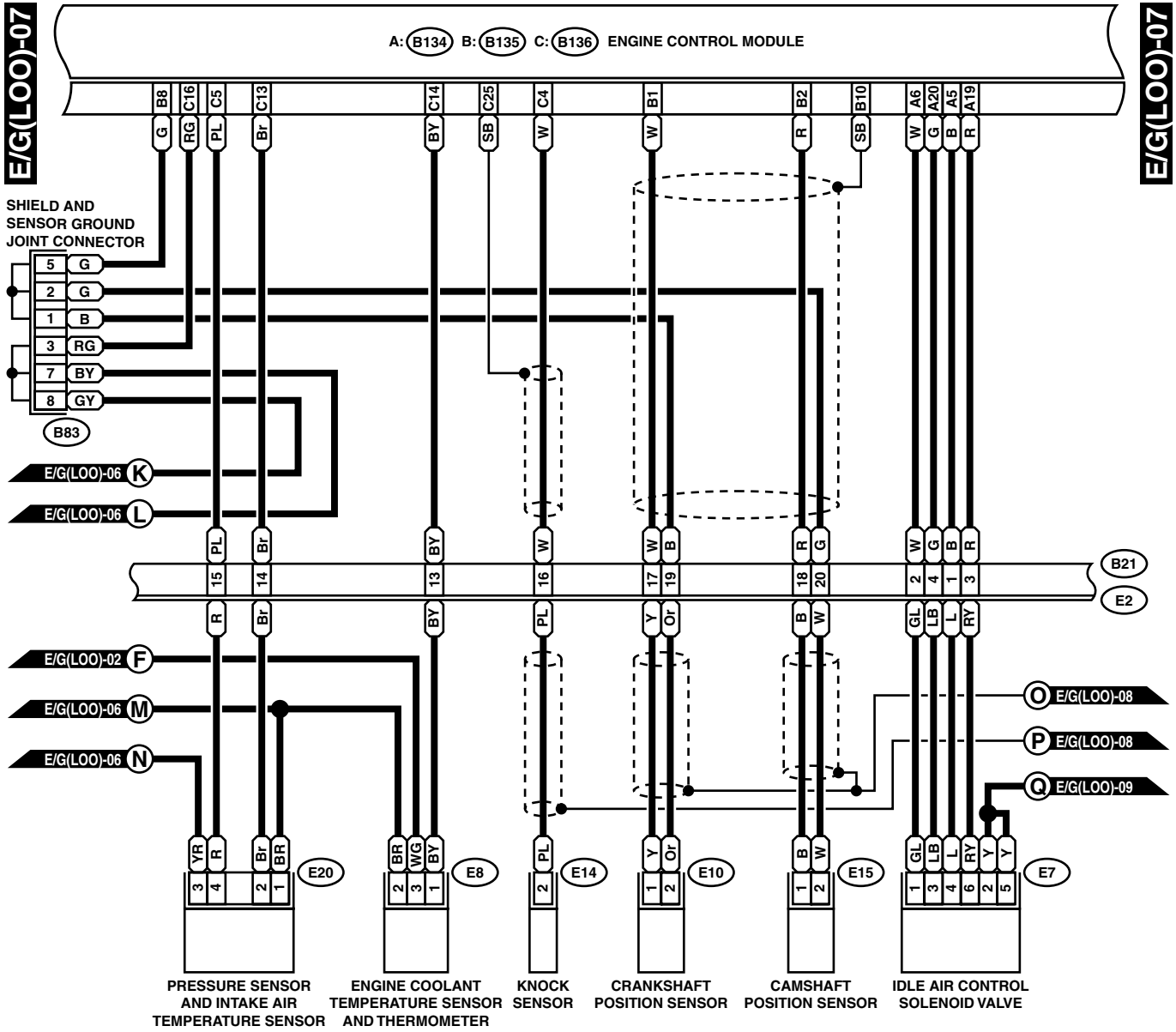
WIRING SYSTEM



WI-04547

# Engine Electrical System

WIRING SYSTEM



WI-02313

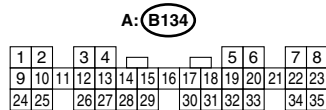
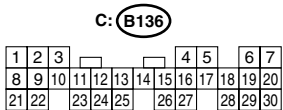
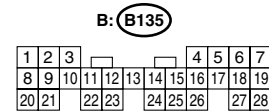
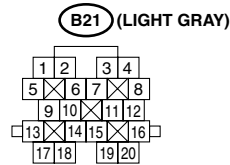
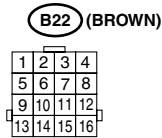
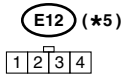
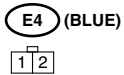
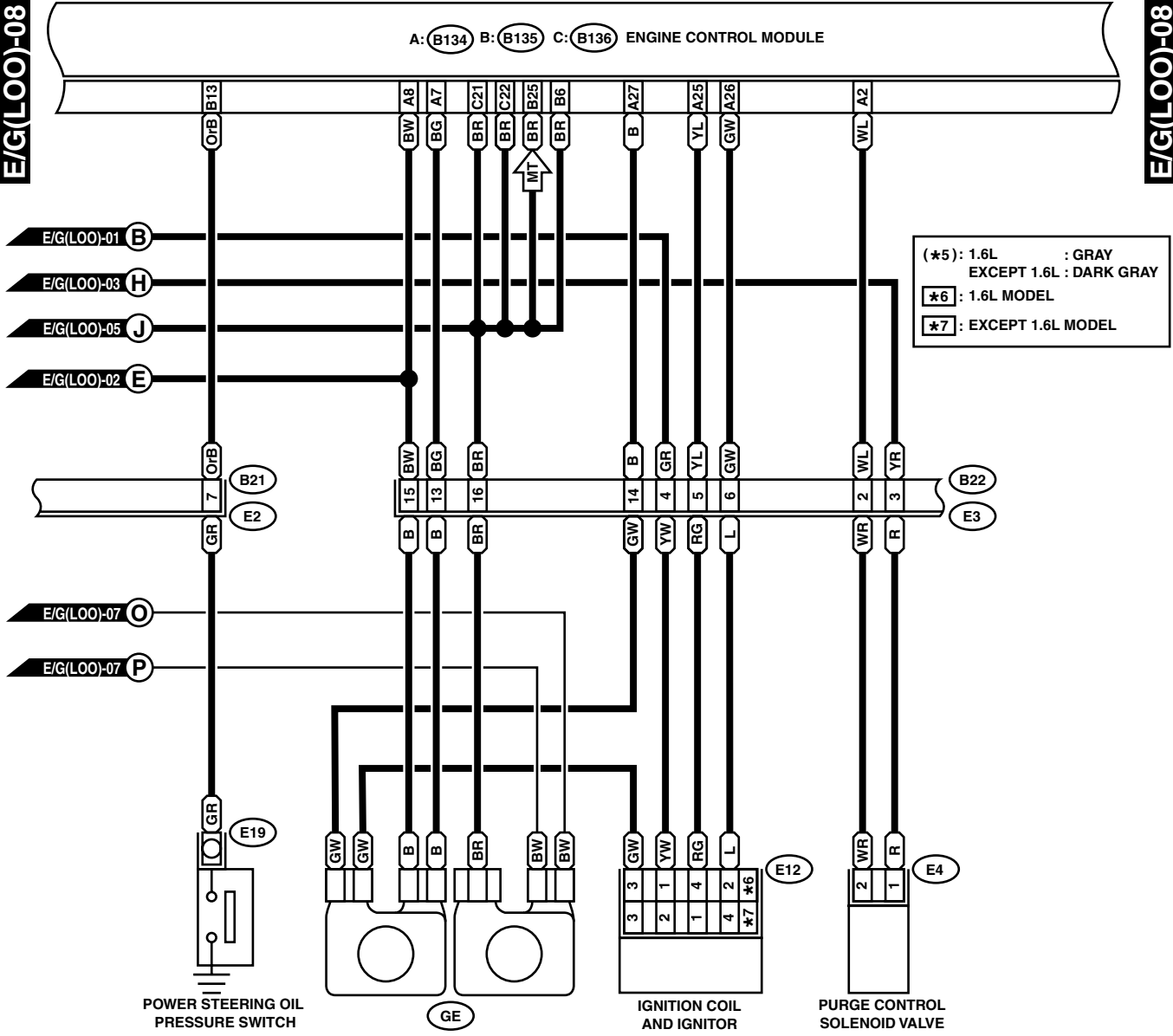
# Engine Electrical System

WIRING SYSTEM

E/G(LOO)-08

E/G(LOO)-08

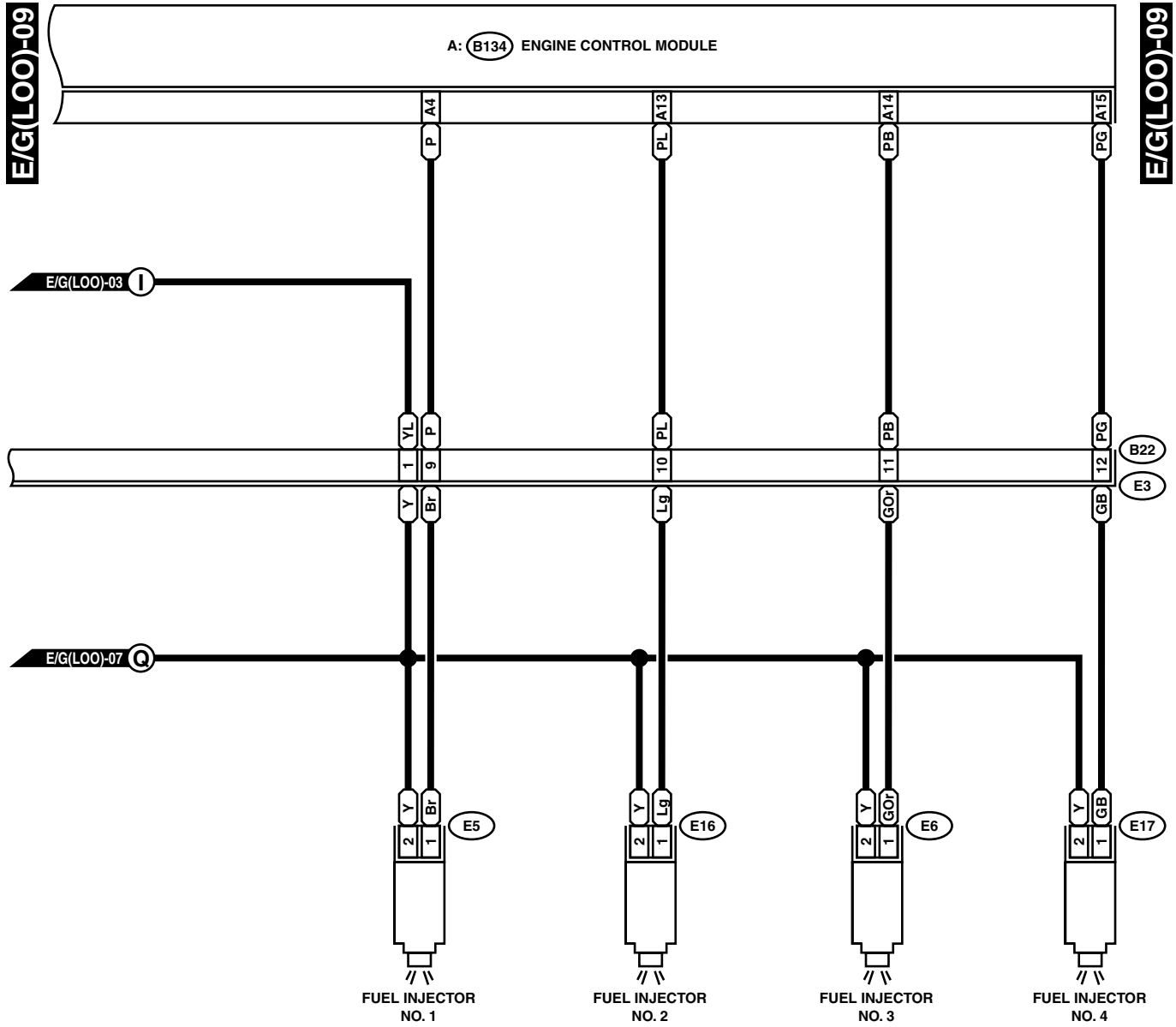
A: (B134) B: (B135) C: (B136) ENGINE CONTROL MODULE



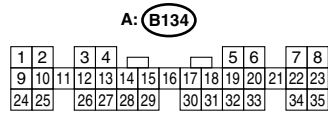
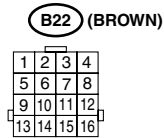
WI-02314

# Engine Electrical System

WIRING SYSTEM



- (E5) (LIGHT GRAY)
- (E6) (LIGHT GRAY)
- (E16) (LIGHT GRAY)
- (E17) (LIGHT GRAY)



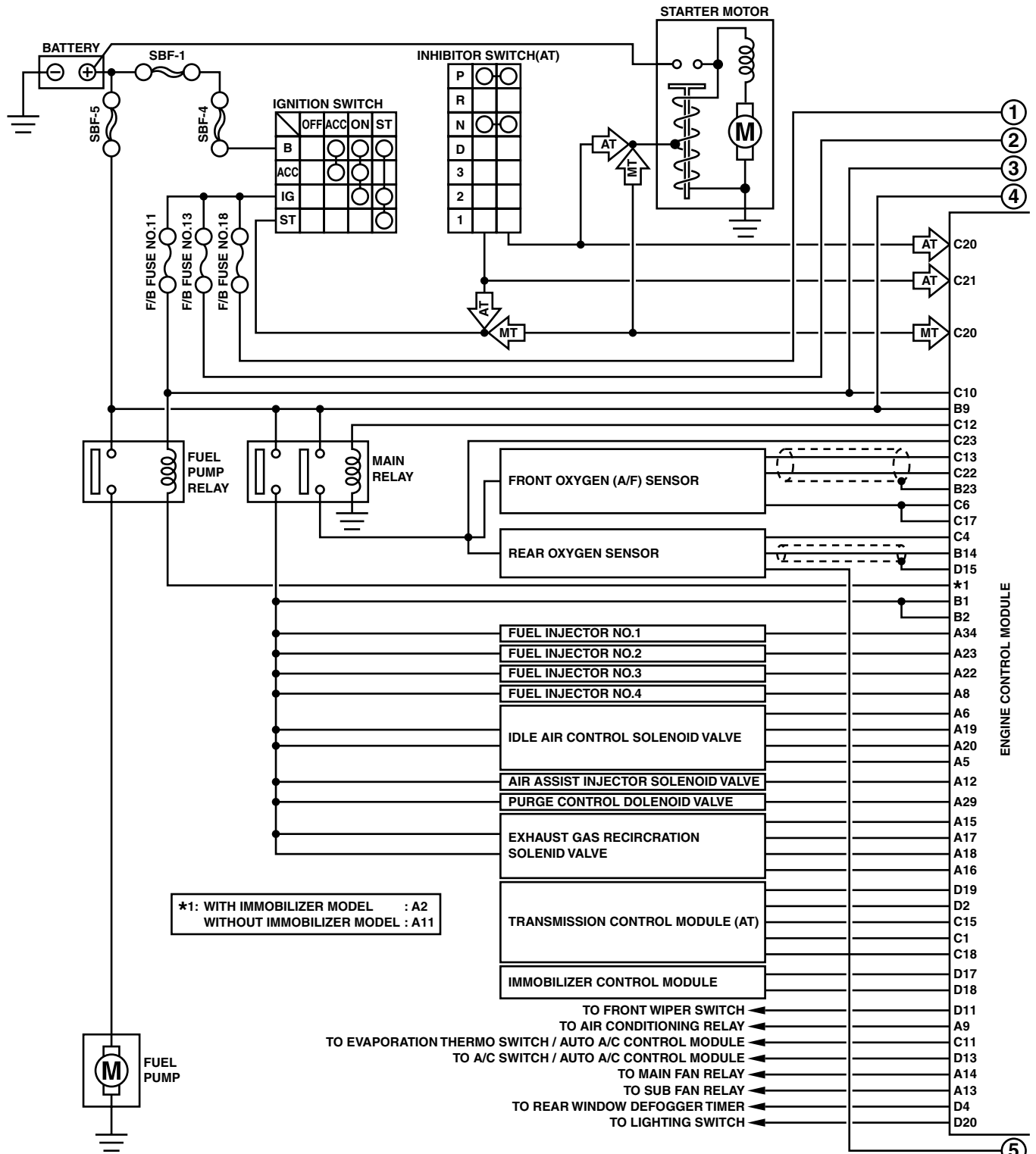
WI-02315



# Engine Electrical System

WIRING SYSTEM

## 2. LHD SOHC WITH OBD MODEL

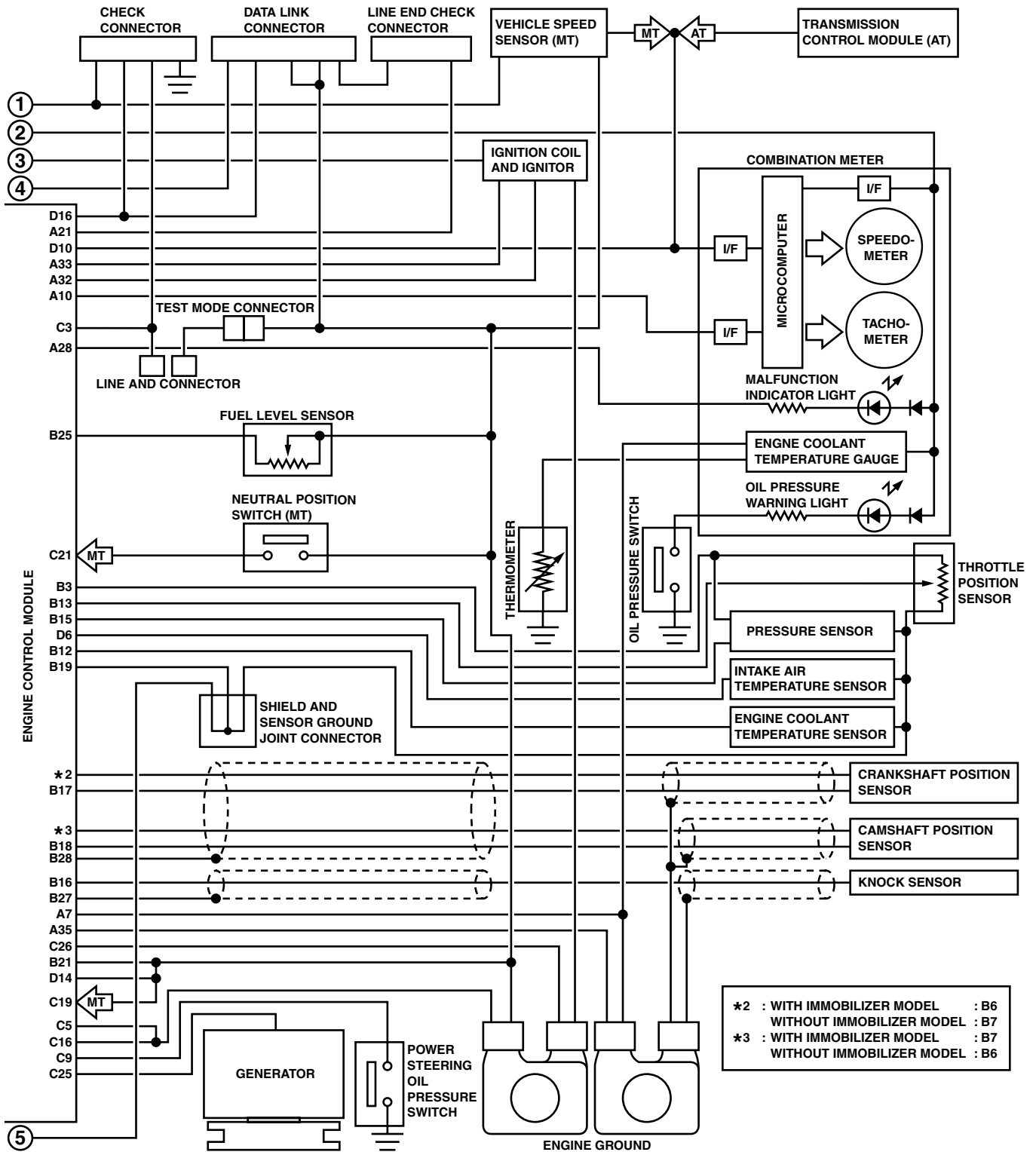


WI-04467



# Engine Electrical System

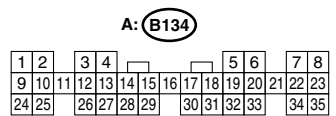
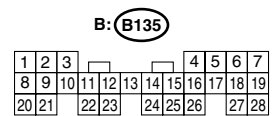
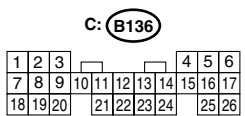
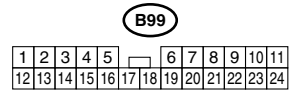
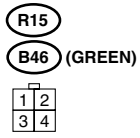
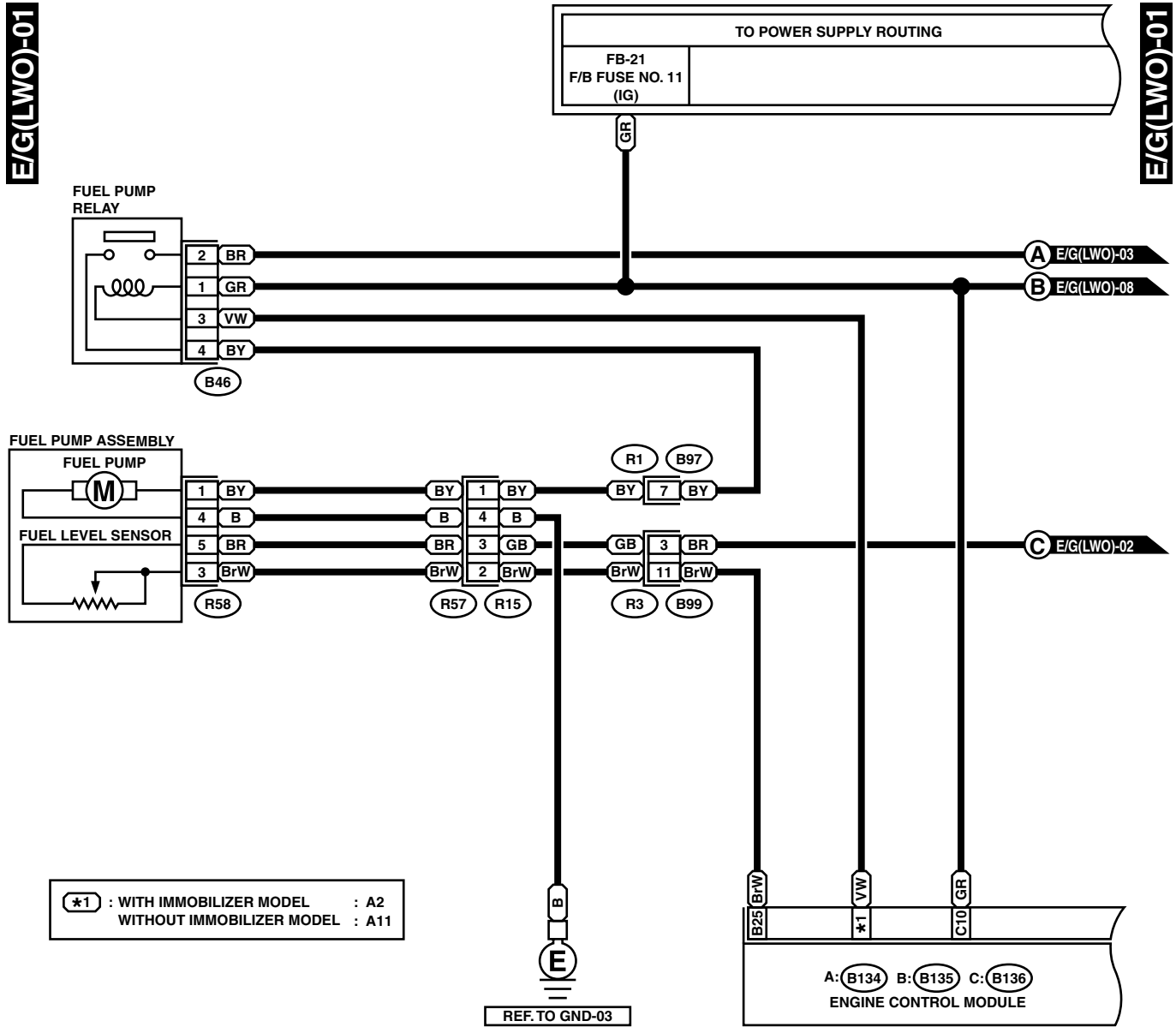
WIRING SYSTEM



WI-02562

# Engine Electrical System

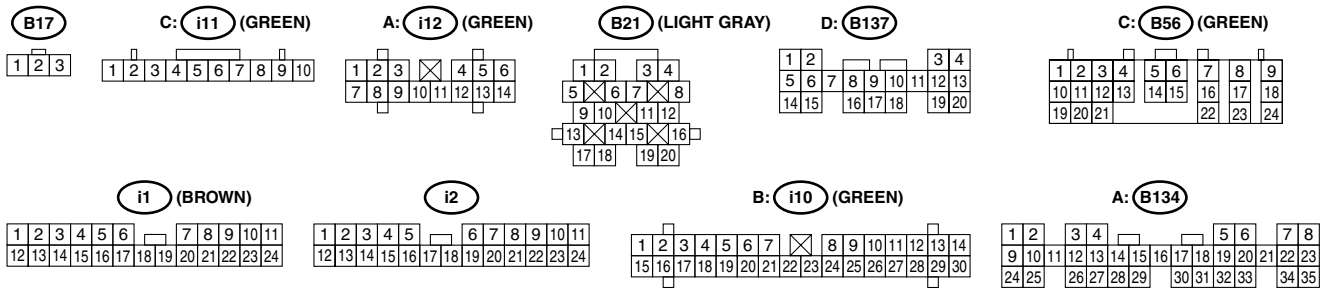
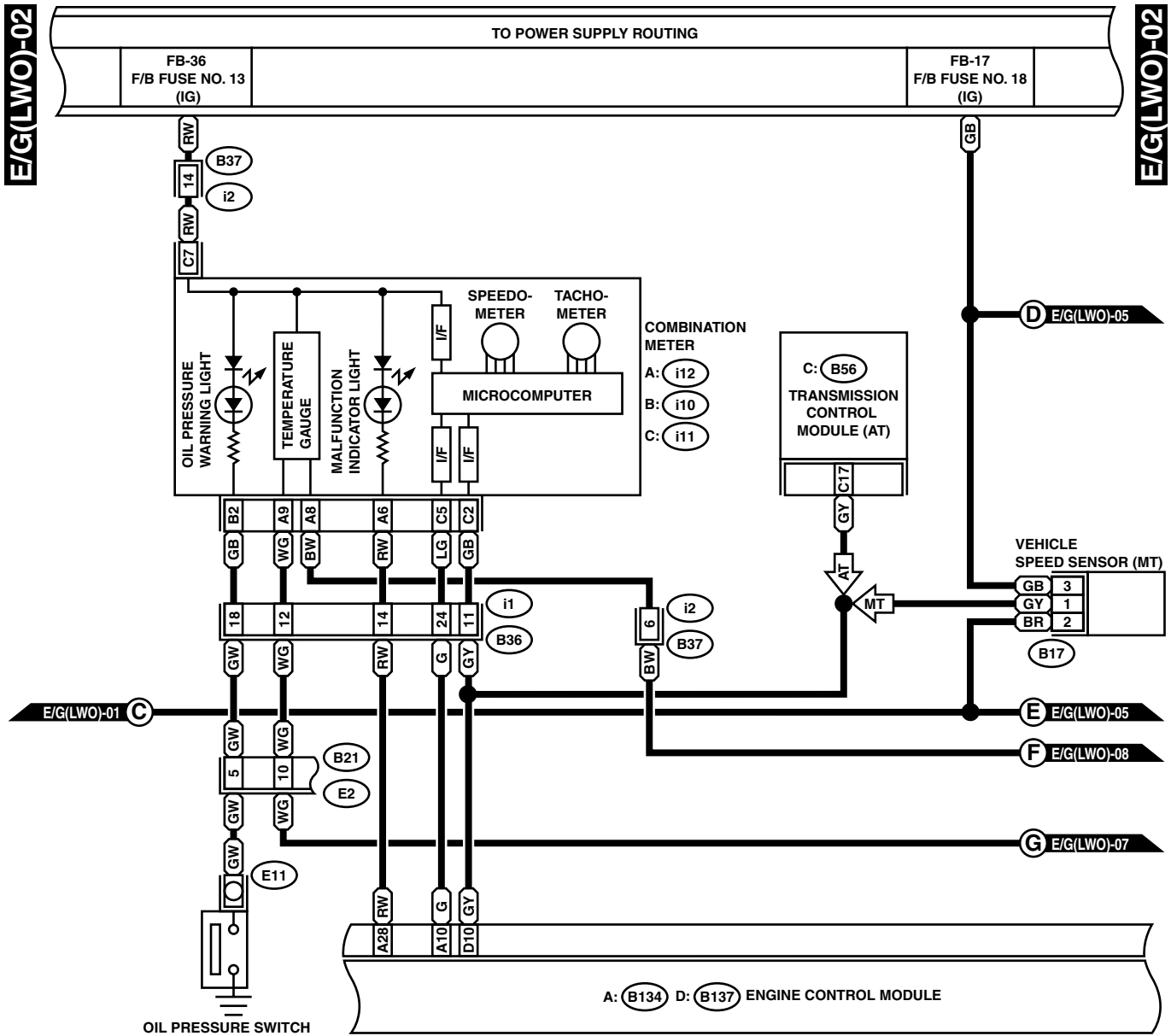
WIRING SYSTEM



WI-02316

# Engine Electrical System

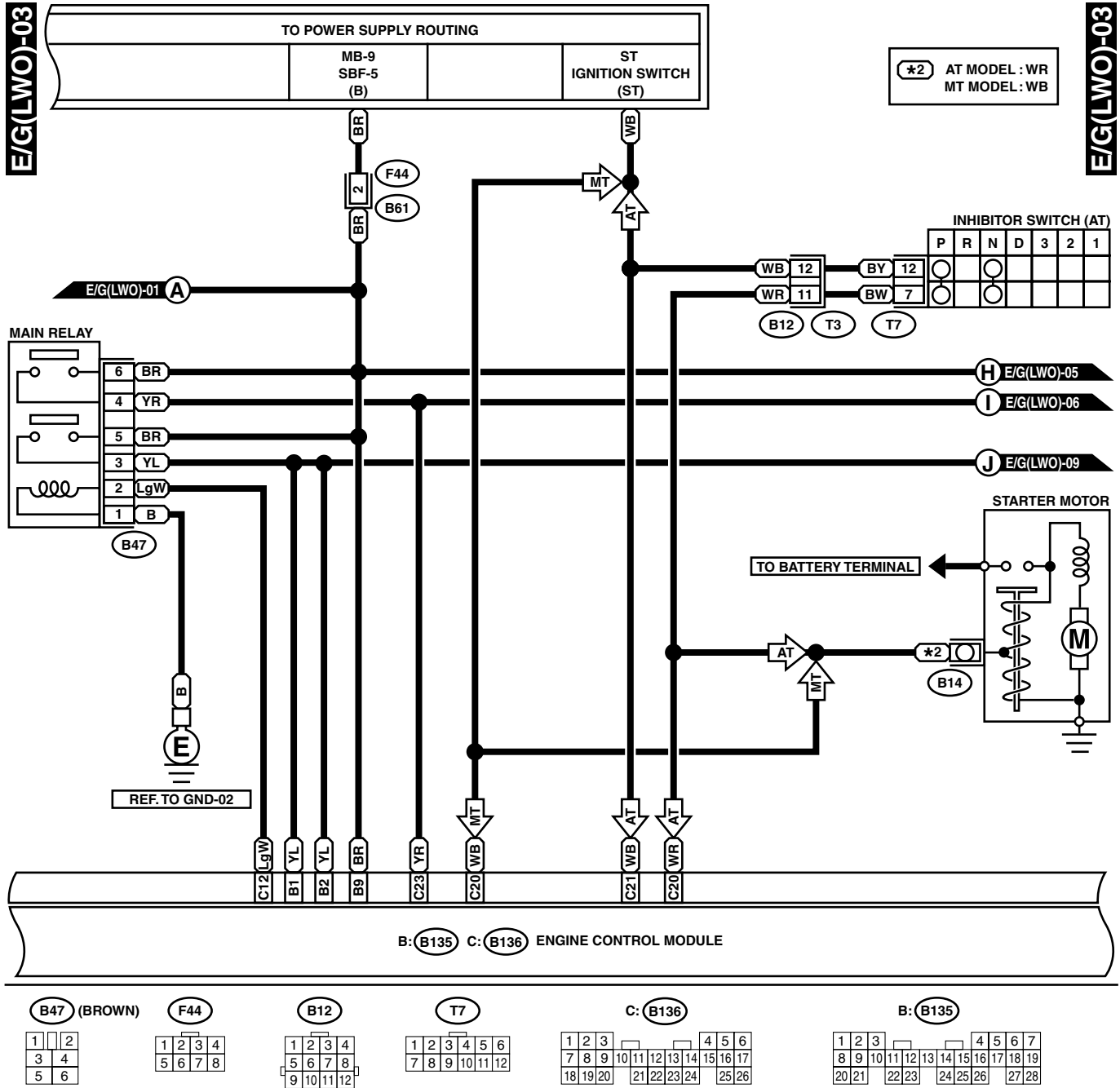
WIRING SYSTEM



WI-02317

# Engine Electrical System

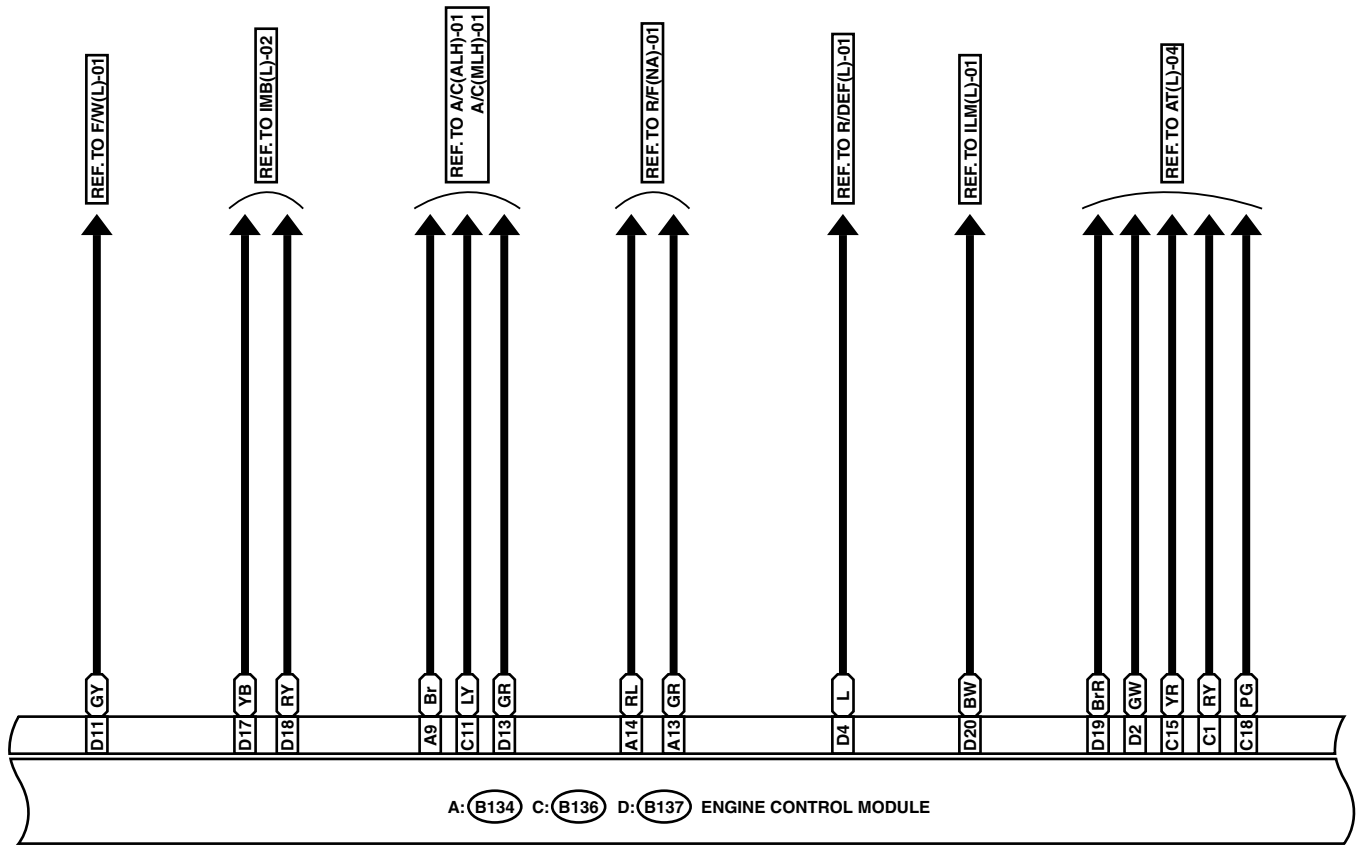
WIRING SYSTEM



WI-02318

E/G(LWO)-04

E/G(LWO)-04



D: (B137)

1	2			3	4
5	6	7	8	9	10
11	12	13	14	15	16
17	18	19	20		

C: (B136)

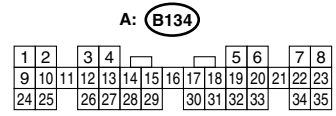
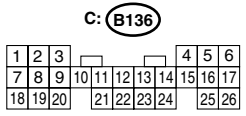
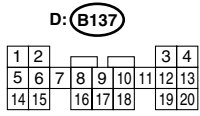
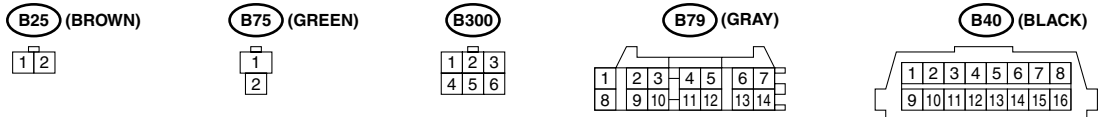
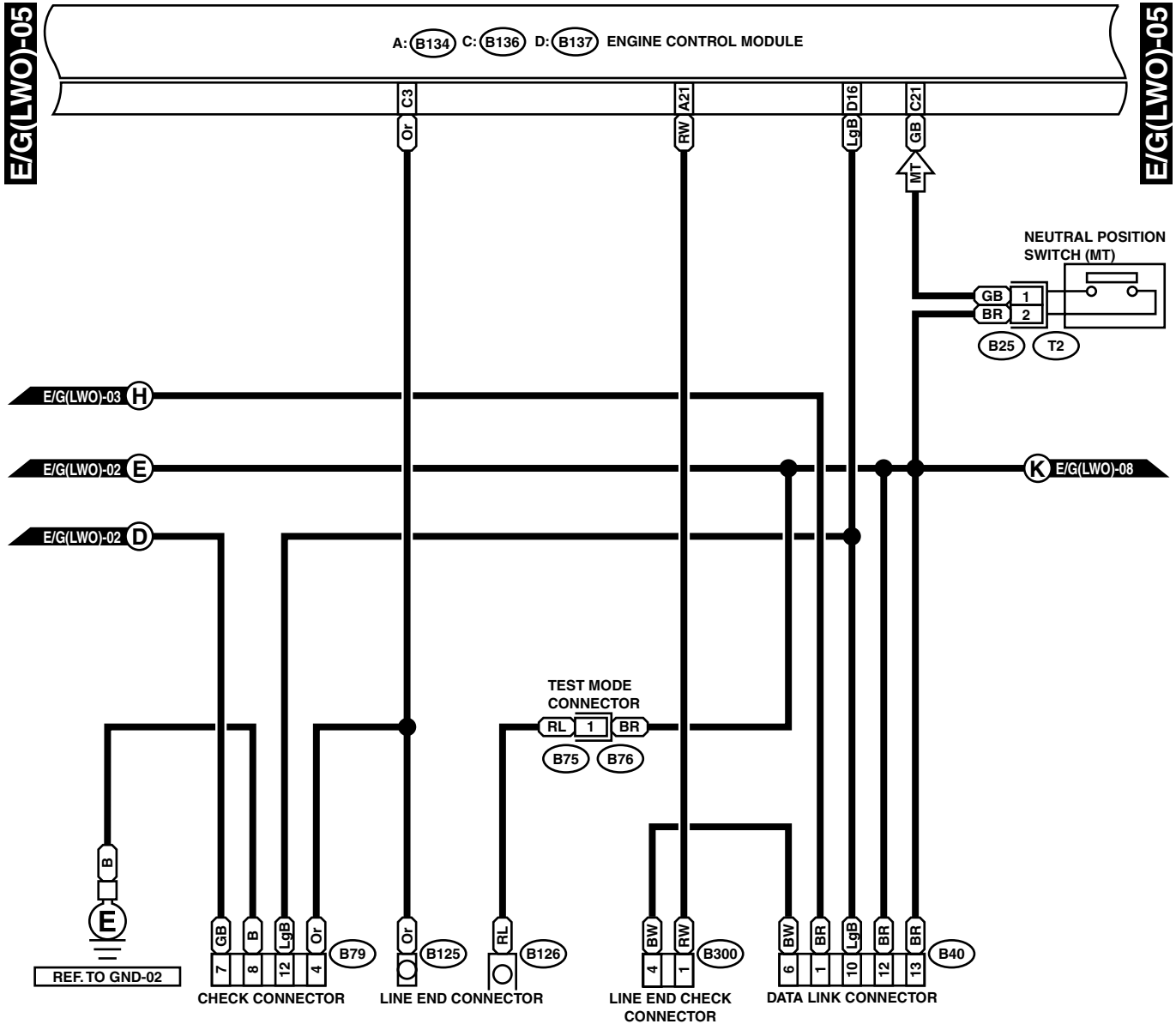
1	2	3			4	5	6
7	8	9	10	11	12	13	14
15	16	17	18	19	20	21	22
23	24	25	26				

A: (B134)

1	2		3	4			5	6		7	8
9	10	11	12	13	14	15	16	17	18	19	20
21	22	23	24	25	26	27	28	29	30	31	32
33	34	35									

# Engine Electrical System

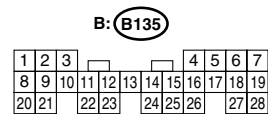
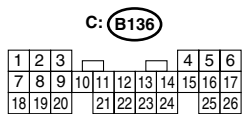
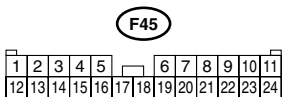
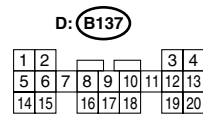
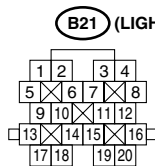
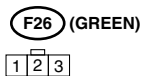
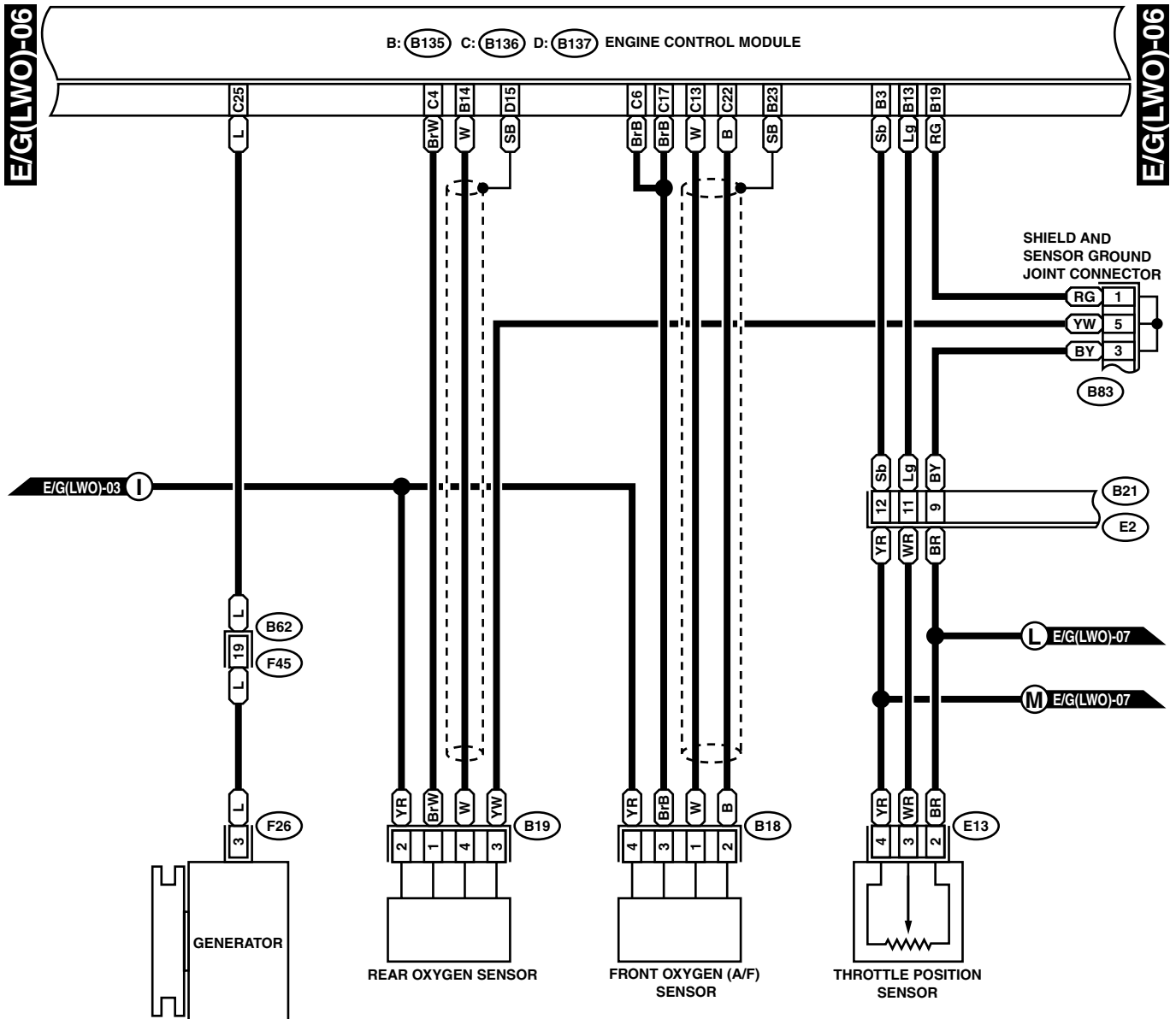
WIRING SYSTEM



WI-04548

# Engine Electrical System

WIRING SYSTEM



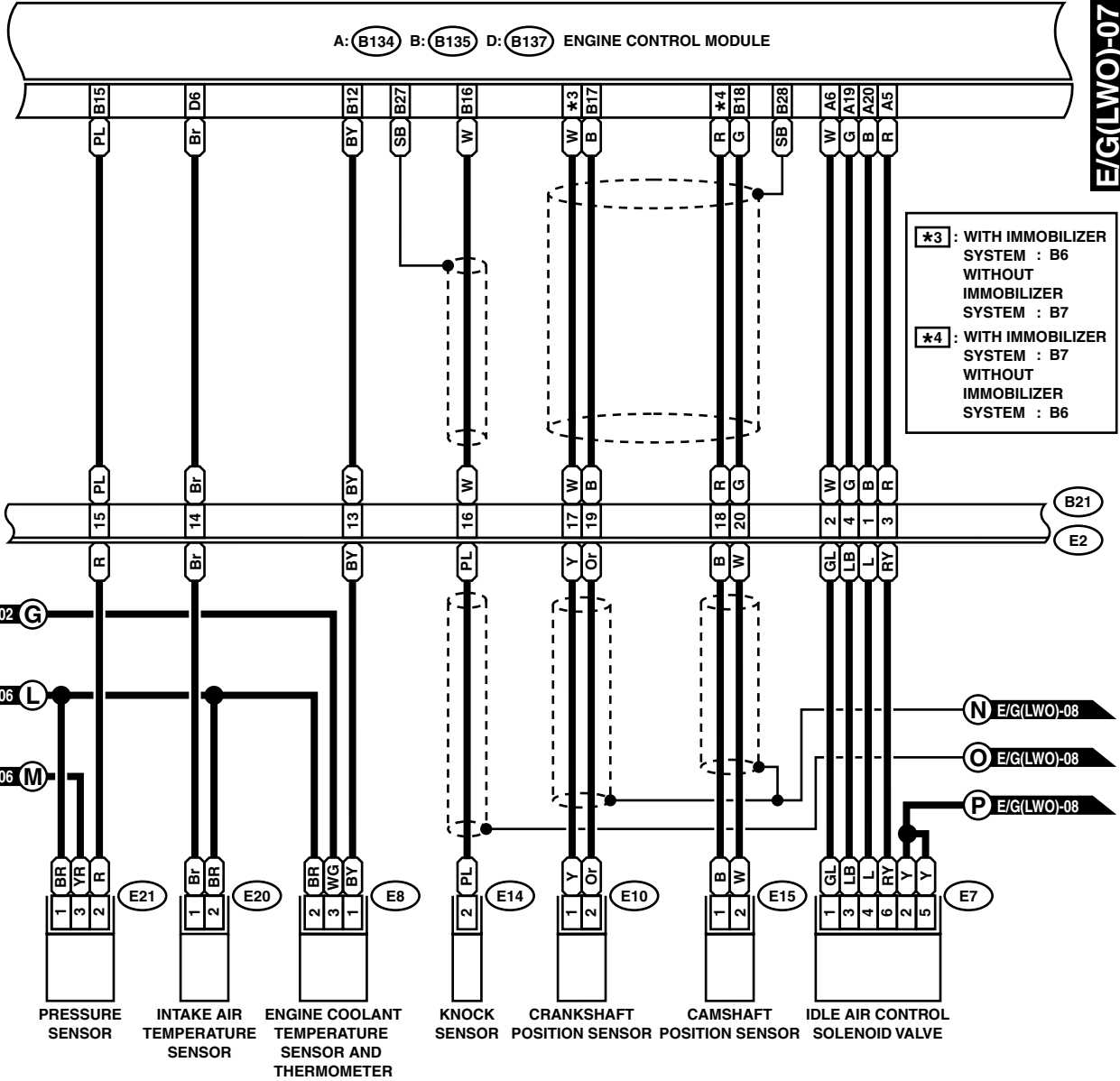
WI-04549

# Engine Electrical System

WIRING SYSTEM

E/G(LWO)-07

E/G(LWO)-07



(E10) (LIGHT GRAY)

(E14) (LIGHT GRAY)

(E15) (BLACK)

(E20) (BLACK)

1 2

(E8) (LIGHT GRAY)



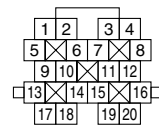
(E21) (LIGHT GRAY)



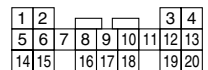
(E7) (BLACK)



(B21) (LIGHT GRAY)



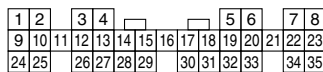
D: (B137)



B: (B135)



A: (B134)

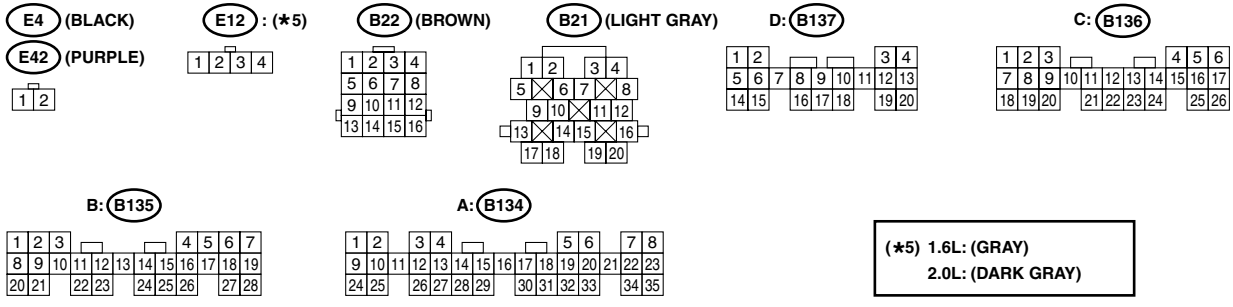
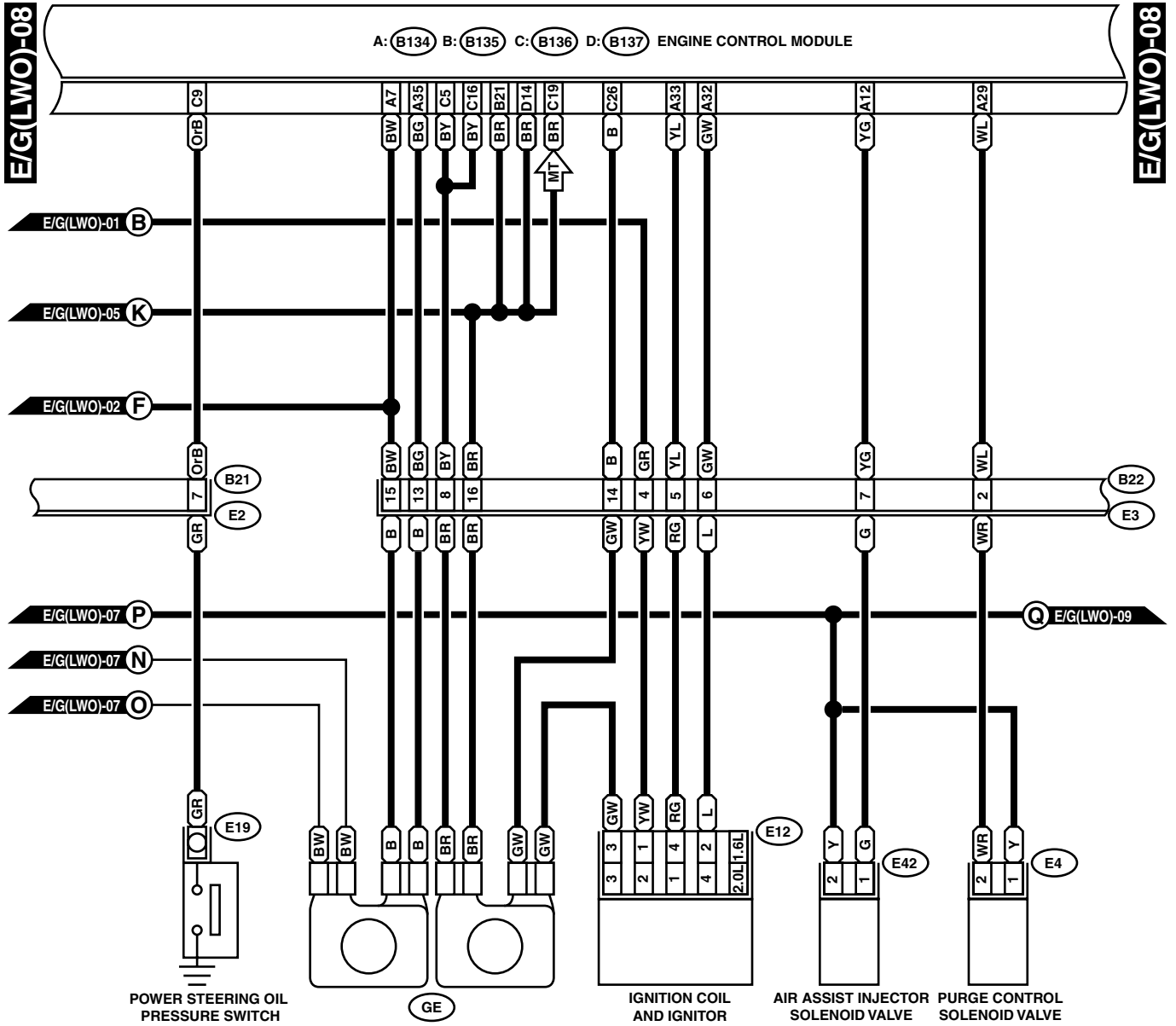


WI-02322



# Engine Electrical System

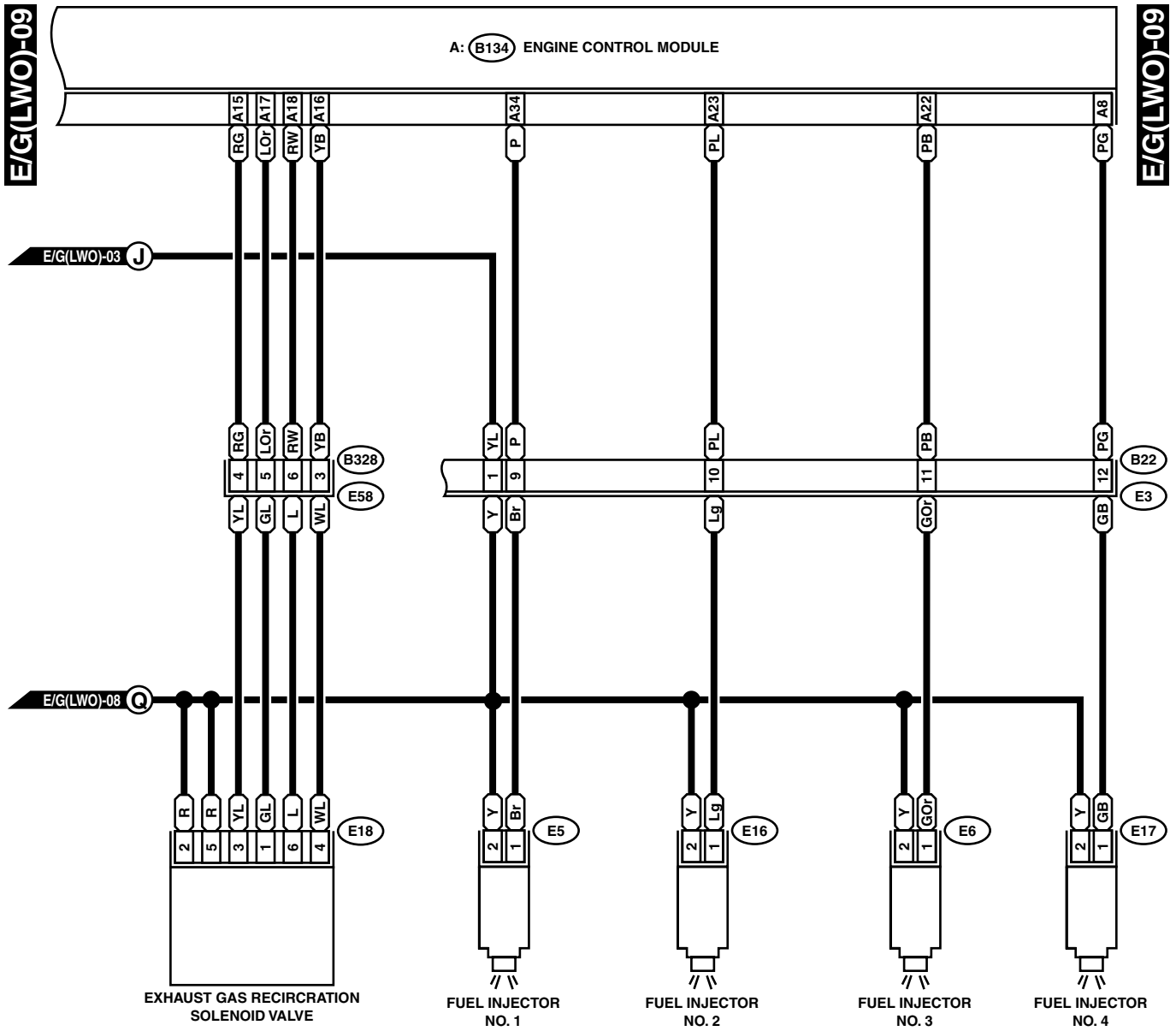
WIRING SYSTEM



WI-04550

# Engine Electrical System

WIRING SYSTEM



- E5** (LIGHT GRAY)
- E6** (LIGHT GRAY)
- E16** (LIGHT GRAY)
- E17** (LIGHT GRAY)

- B328** (BLACK)
  - E18** (DARK GRAY)
- |   |   |   |
|---|---|---|
| 1 | 2 | 3 |
| 4 | 5 | 6 |

- B22** (BROWN)
- |    |    |    |    |
|----|----|----|----|
| 1  | 2  | 3  | 4  |
| 5  | 6  | 7  | 8  |
| 9  | 10 | 11 | 12 |
| 13 | 14 | 15 | 16 |

- A: B134**
- |    |    |    |    |    |    |    |    |
|----|----|----|----|----|----|----|----|
| 1  | 2  | 3  | 4  | 5  | 6  | 7  | 8  |
| 9  | 10 | 11 | 12 | 13 | 14 | 15 | 16 |
| 17 | 18 | 19 | 20 | 21 | 22 | 23 | 24 |
| 25 | 26 | 27 | 28 | 29 | 30 | 31 | 32 |
| 33 | 34 | 35 |    |    |    |    |    |



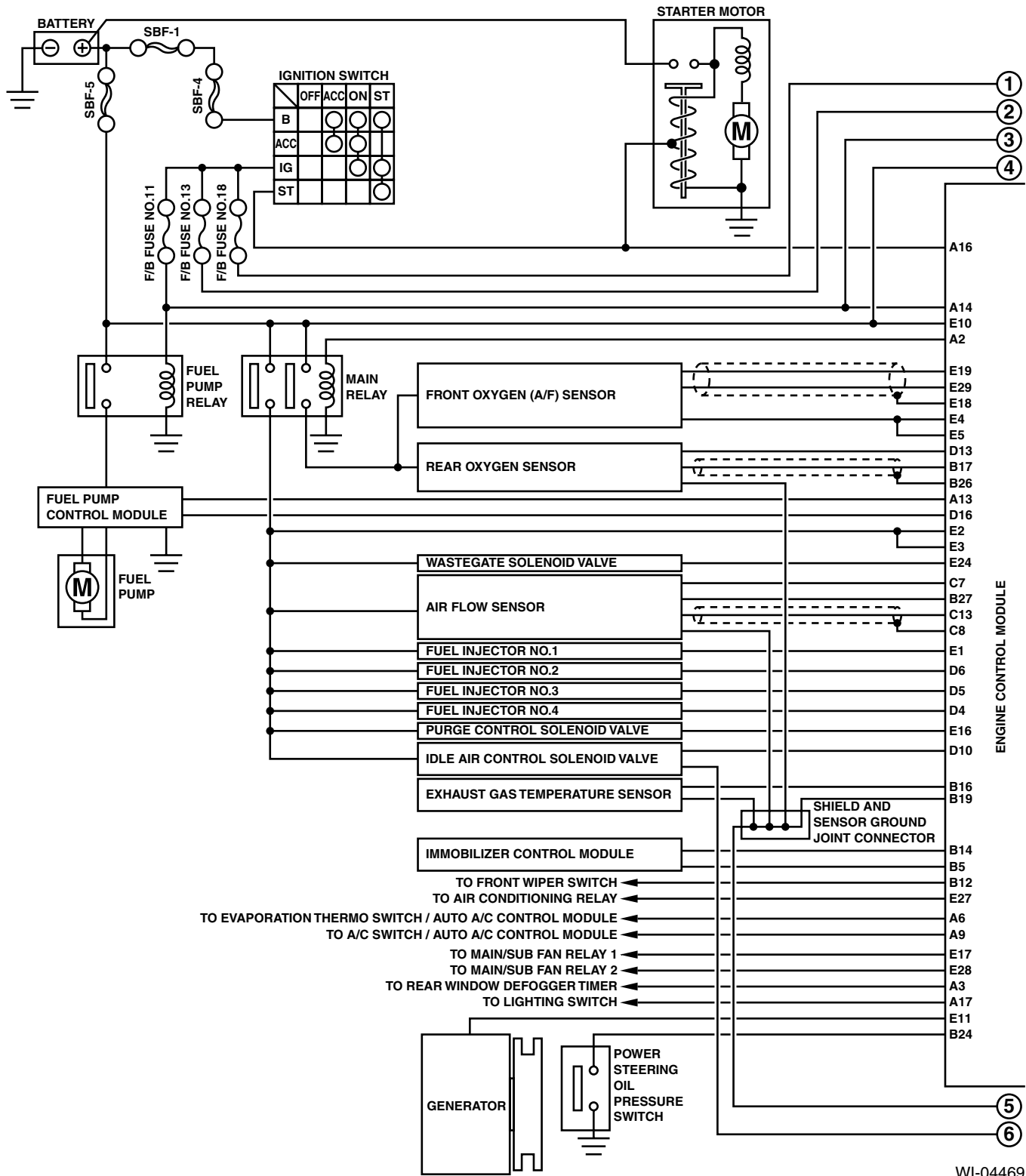
WI-02324



# Engine Electrical System

WIRING SYSTEM

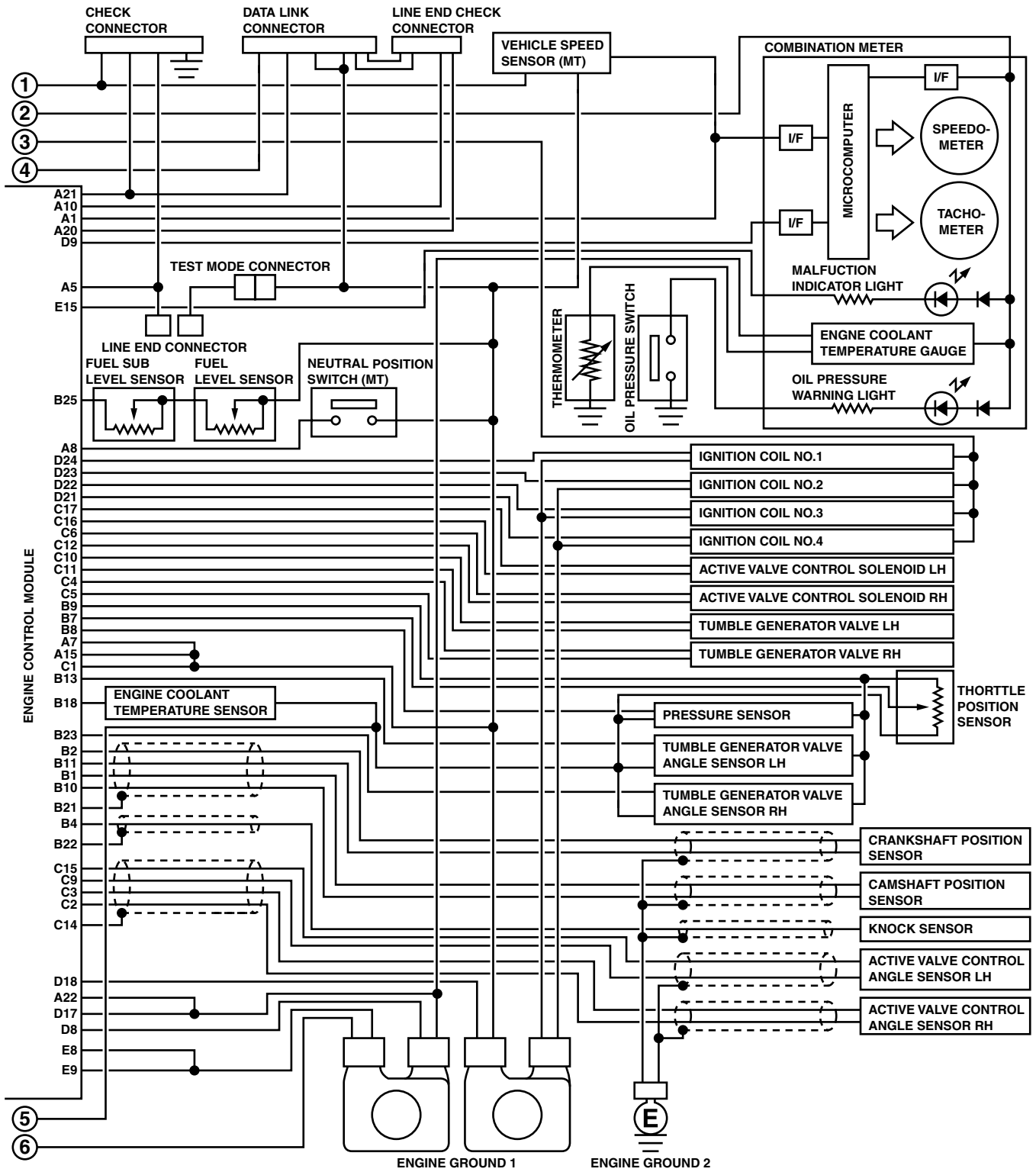
## 3. LHD TURBO MODEL



WI-04469

# Engine Electrical System

WIRING SYSTEM



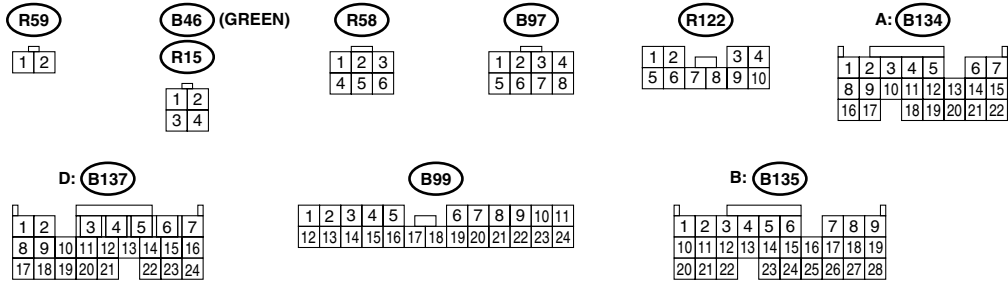
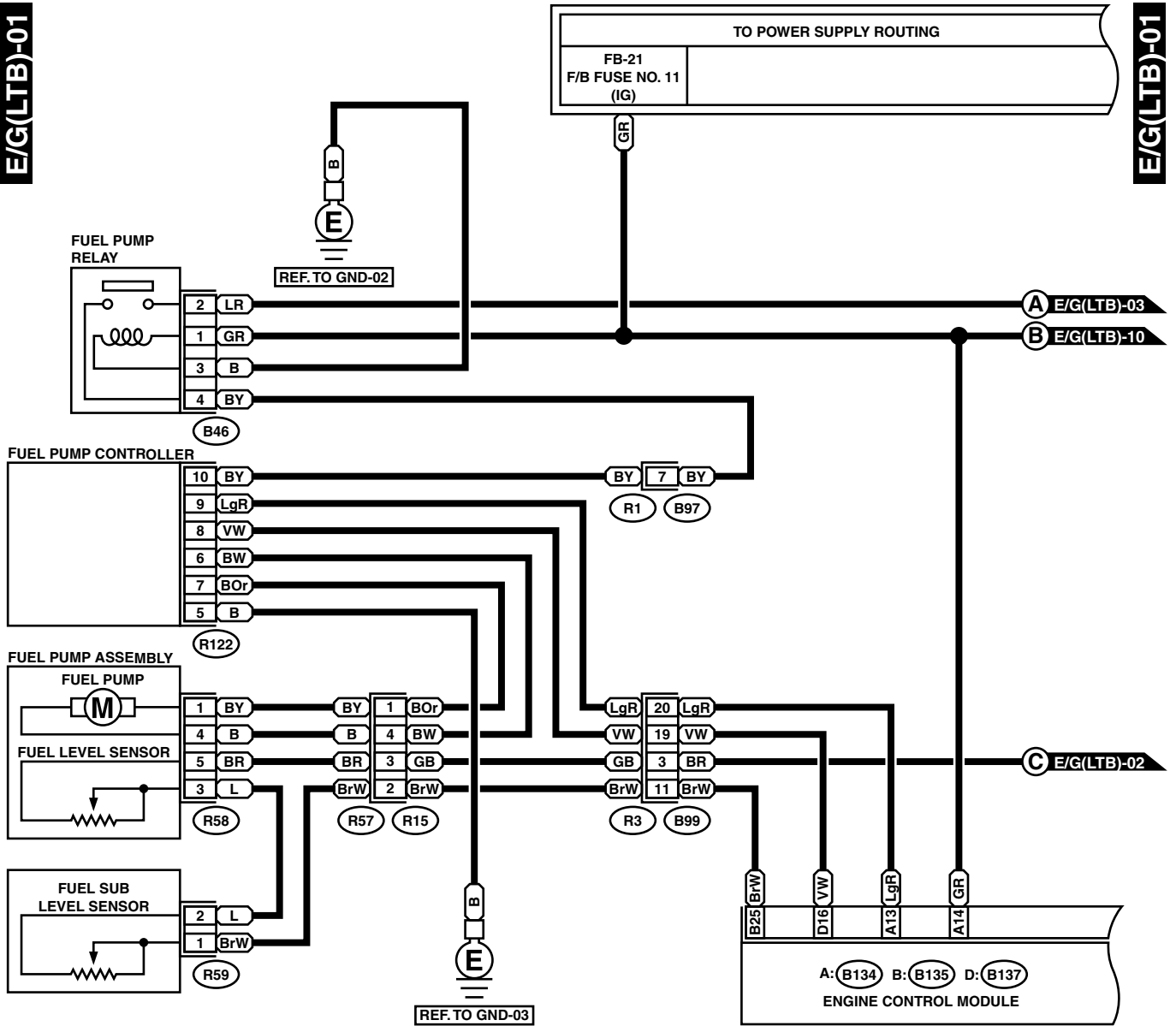
WI-02564

# Engine Electrical System

WIRING SYSTEM

**E/G(LTB)-01**

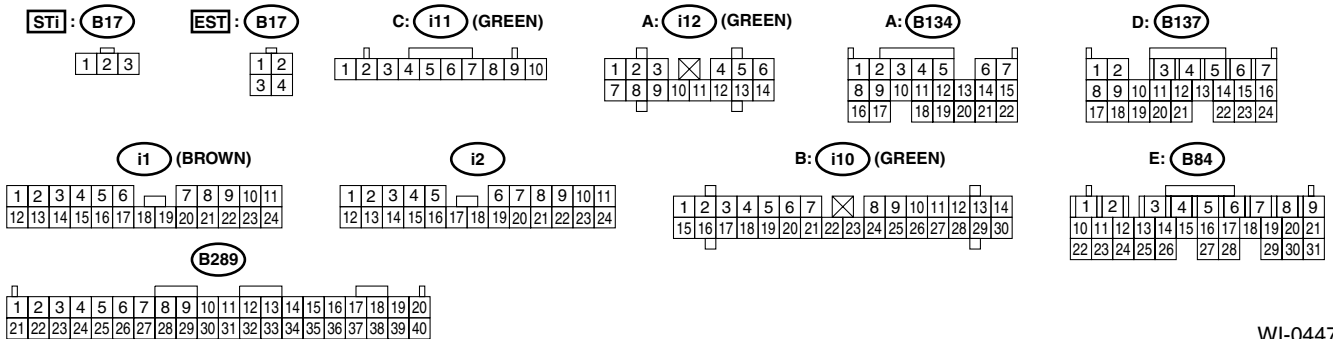
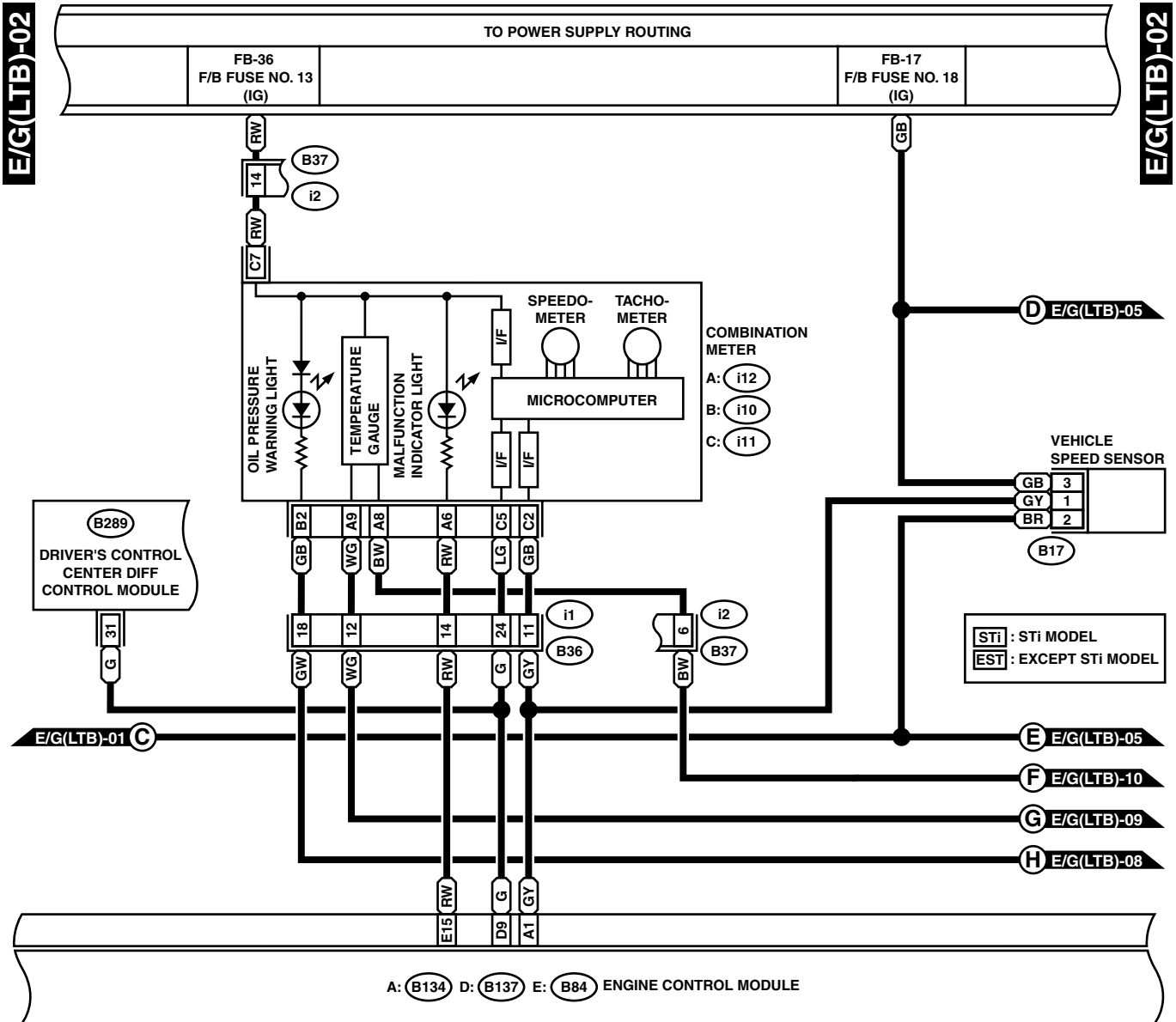
**E/G(LTB)-01**



WI-02325

# Engine Electrical System

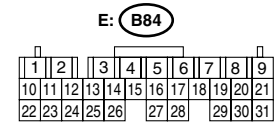
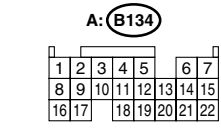
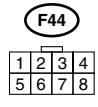
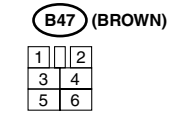
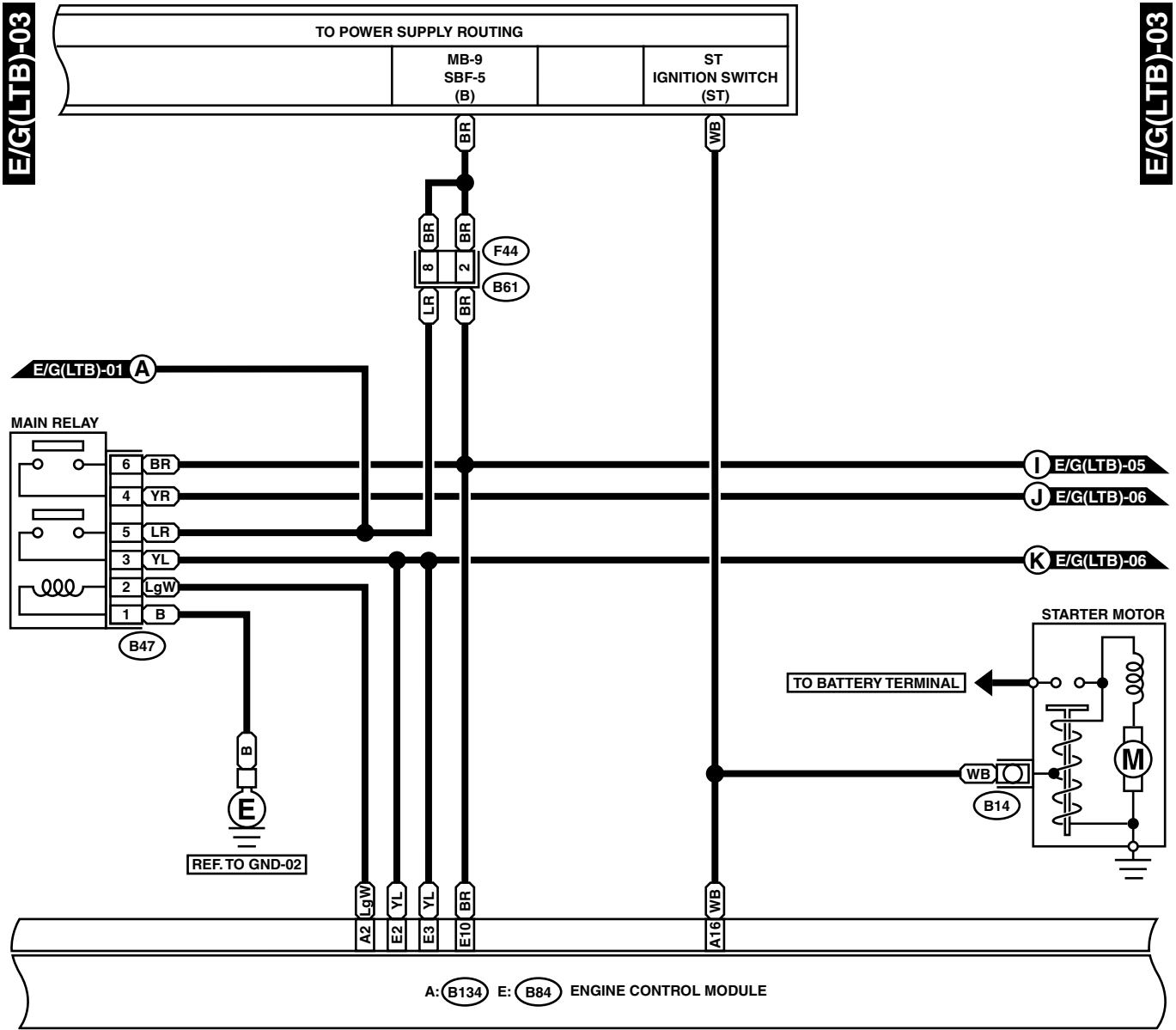
WIRING SYSTEM



WI-04470

# Engine Electrical System

WIRING SYSTEM

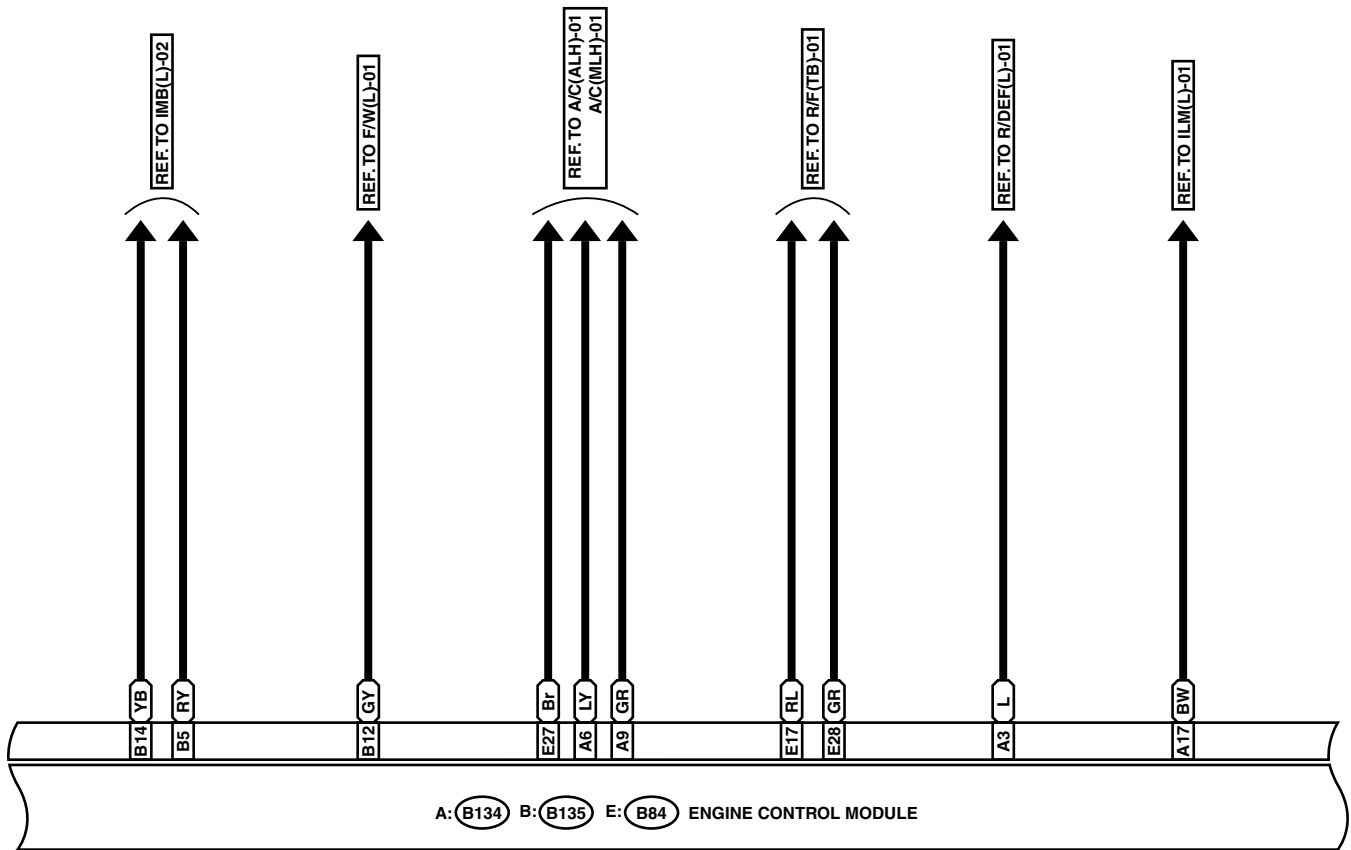


WI-02327



**E/G(LTB)-04**

**E/G(LTB)-04**



A: **B134**

1	2	3	4	5	6	7	
8	9	10	11	12	13	14	15
16	17	18	19	20	21	22	

B: **B135**

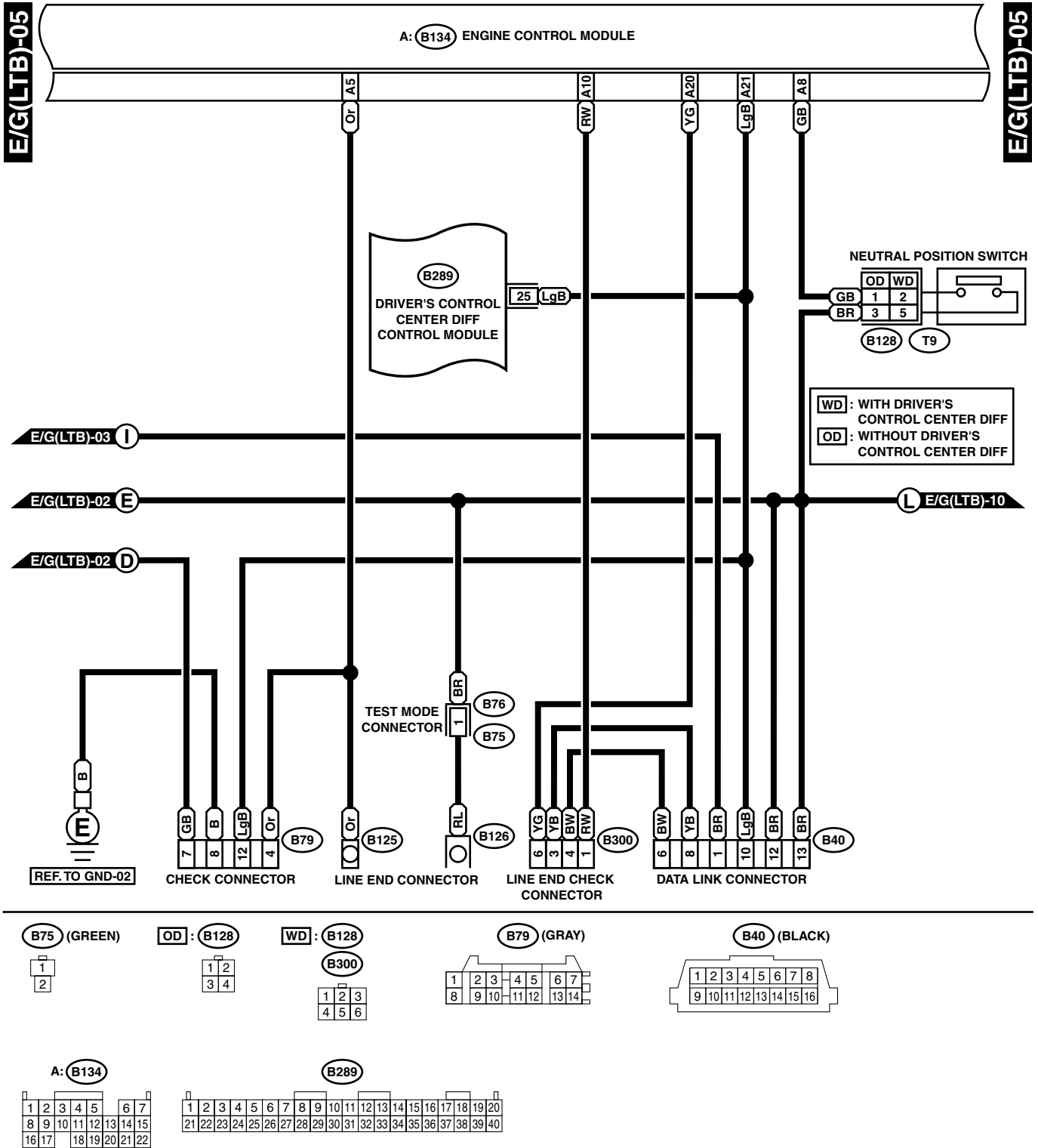
1	2	3	4	5	6	7	8	9	
10	11	12	13	14	15	16	17	18	19
20	21	22	23	24	25	26	27	28	

E: **B84**

1	2	3	4	5	6	7	8	9			
10	11	12	13	14	15	16	17	18	19	20	21
22	23	24	25	26	27	28	29	30	31		

# Engine Electrical System

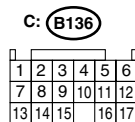
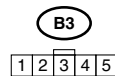
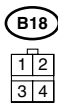
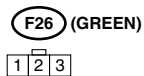
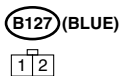
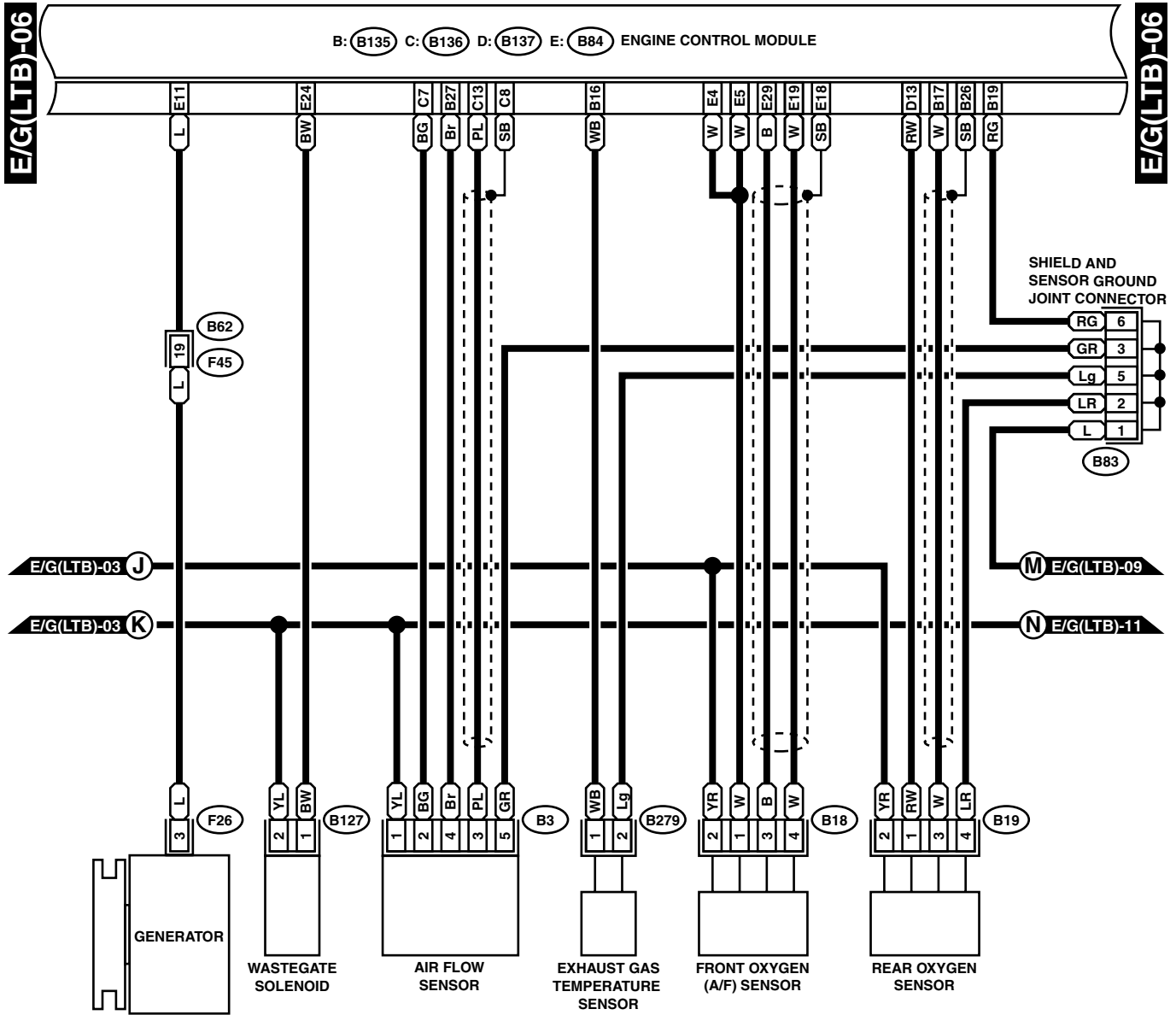
WIRING SYSTEM



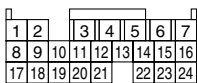
WI-04472

# Engine Electrical System

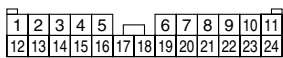
WIRING SYSTEM



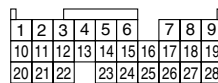
**D: B137**



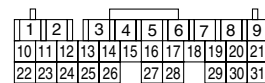
**F45**



**B: B135**



**E: B84**



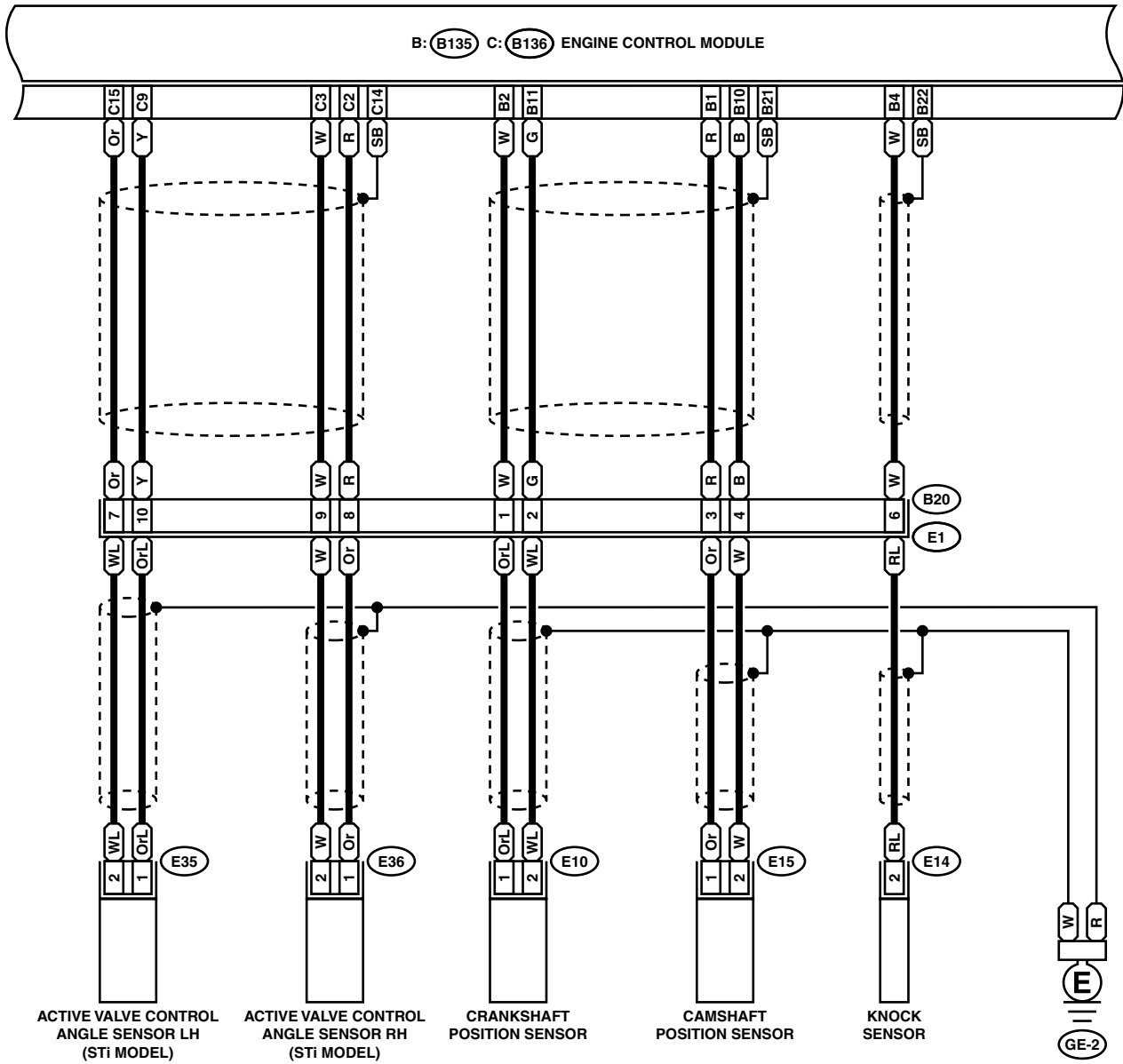
WI-02330

# Engine Electrical System

WIRING SYSTEM

E/G(LTB)-07

E/G(LTB)-07



(E10) (LIGHT GRAY)

(E14) (\*1)

(E15) (LIGHT GRAY)

(E35)

(E36)

1 2

(B20) (LIGHT GRAY)

1	2	3	4
5	6	7	
8	9	10	

C: (B136)

1	2	3	4	5	6
7	8	9	10	11	12
13	14	15	16	17	

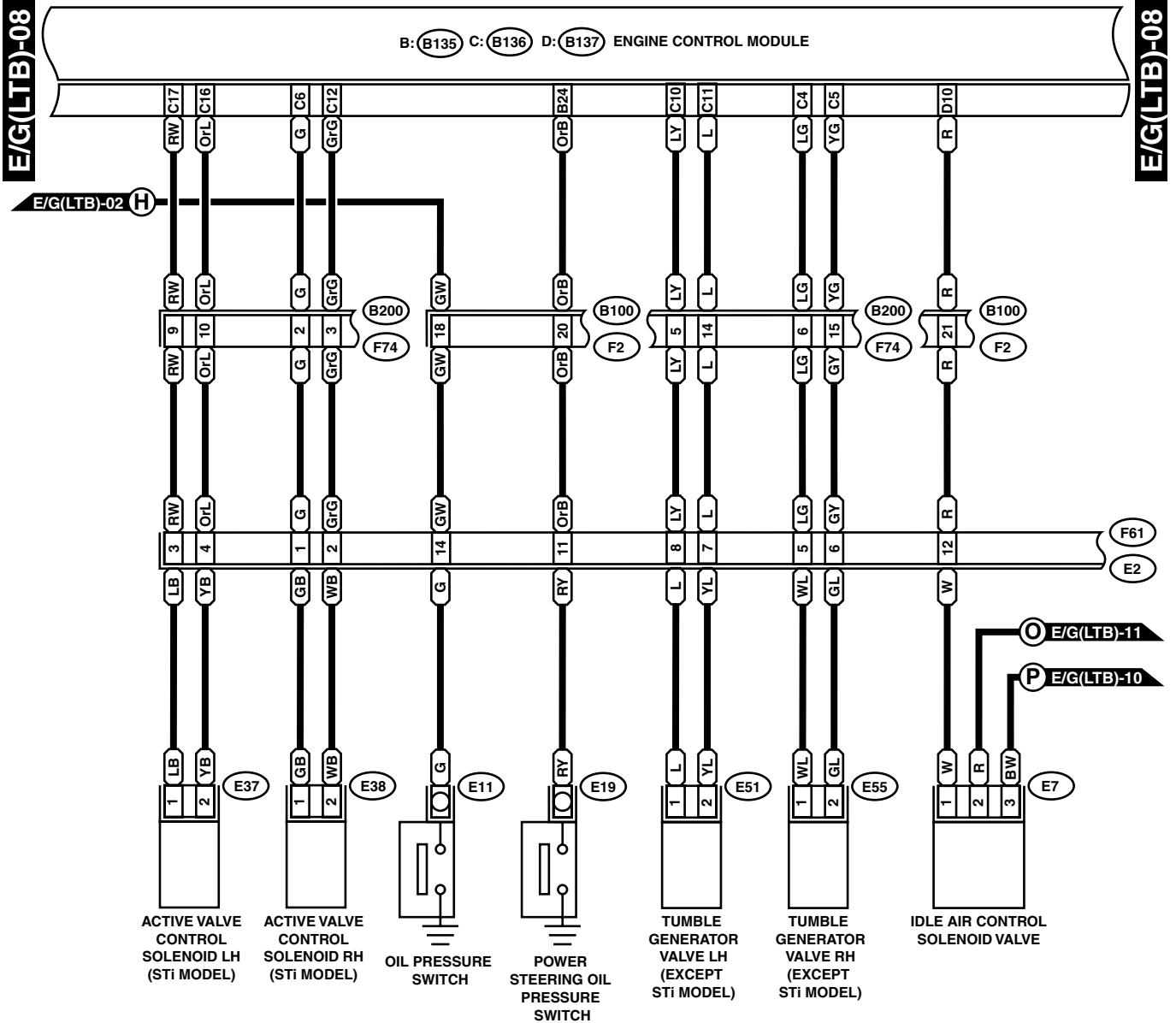
B: (B135)

1	2	3	4	5	6	7	8	9
10	11	12	13	14	15	16	17	18
19	20	21	22	23	24	25	26	27
28								

(\*1) STI MODEL :  
BROWN  
EXCEPT STI MODEL :  
LIGHT GRAY

# Engine Electrical System

WIRING SYSTEM



- (E37) (BLUE)
- (E38) (BLUE)
- (E51) (BLACK)
- (E55) (BLACK)

- (E7) (LIGHT GRAY)

- (F74) (BLUE)

- C: (B136)

- (F61) (BLACK)

- (F2) (BLACK)

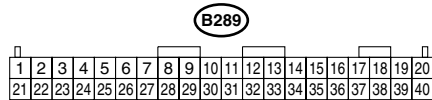
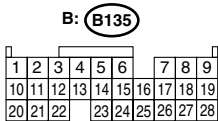
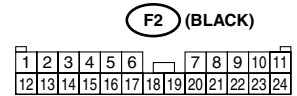
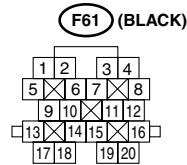
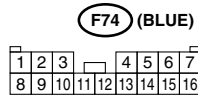
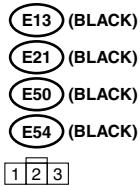
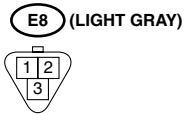
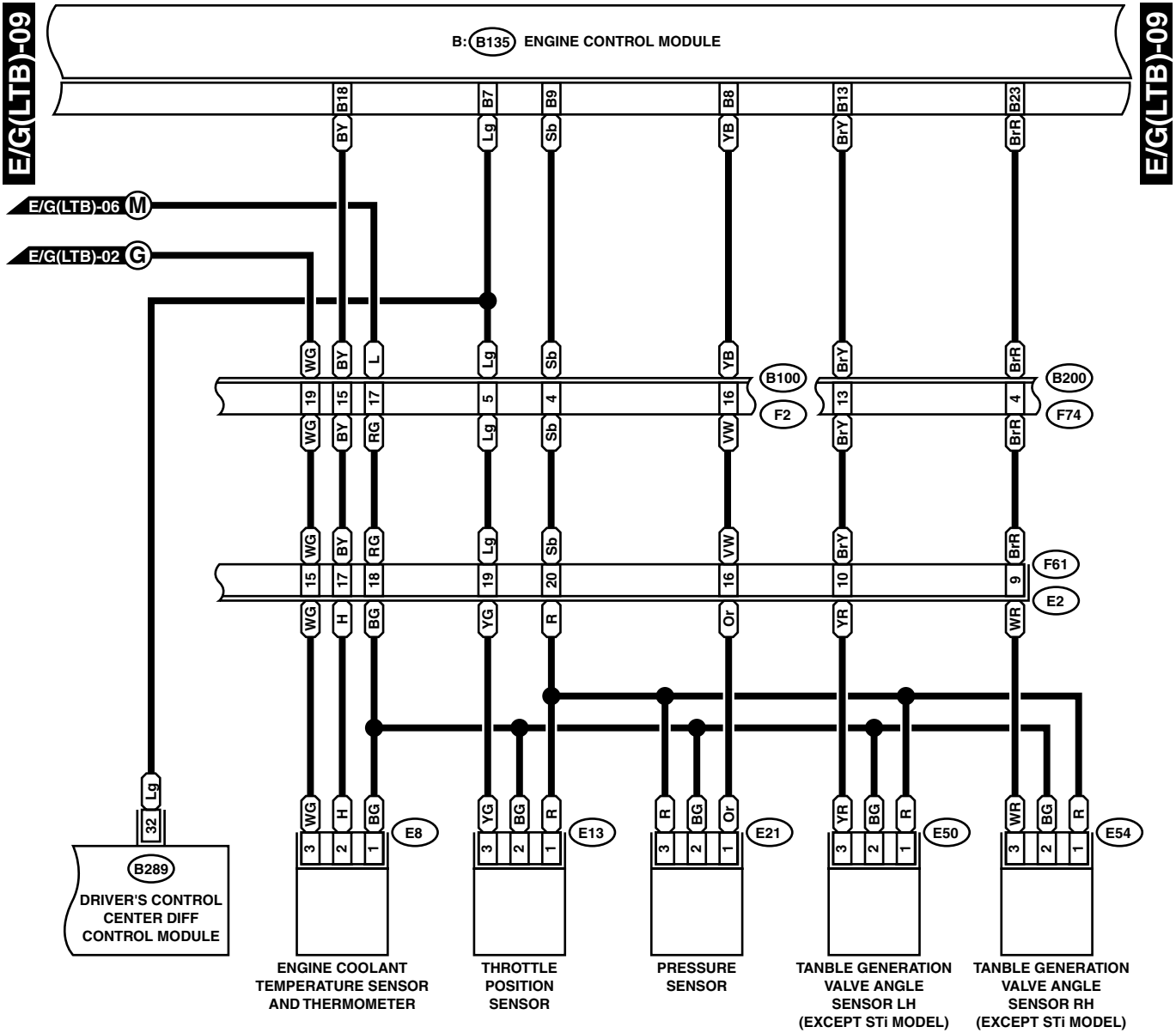
- D: (B137)

- B: (B135)

WI-02332

# Engine Electrical System

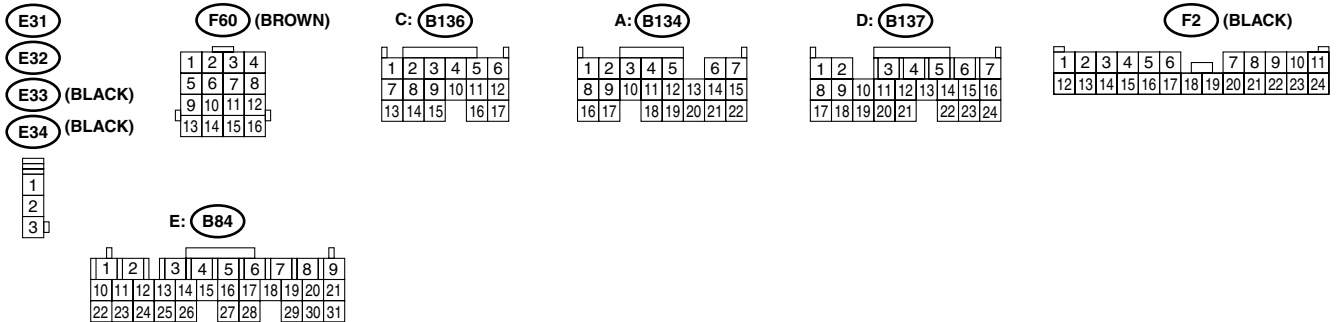
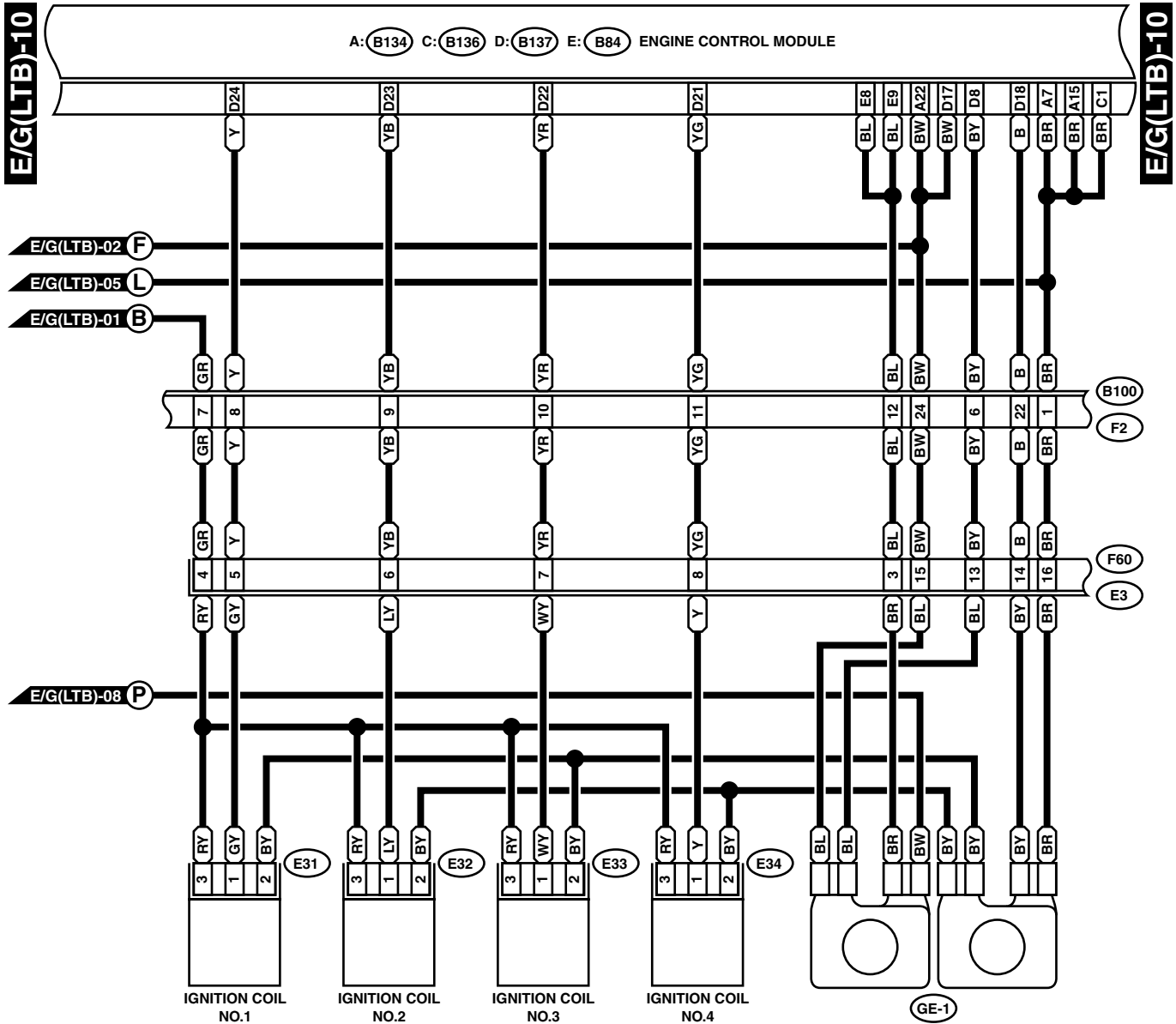
WIRING SYSTEM



WI-04473

# Engine Electrical System

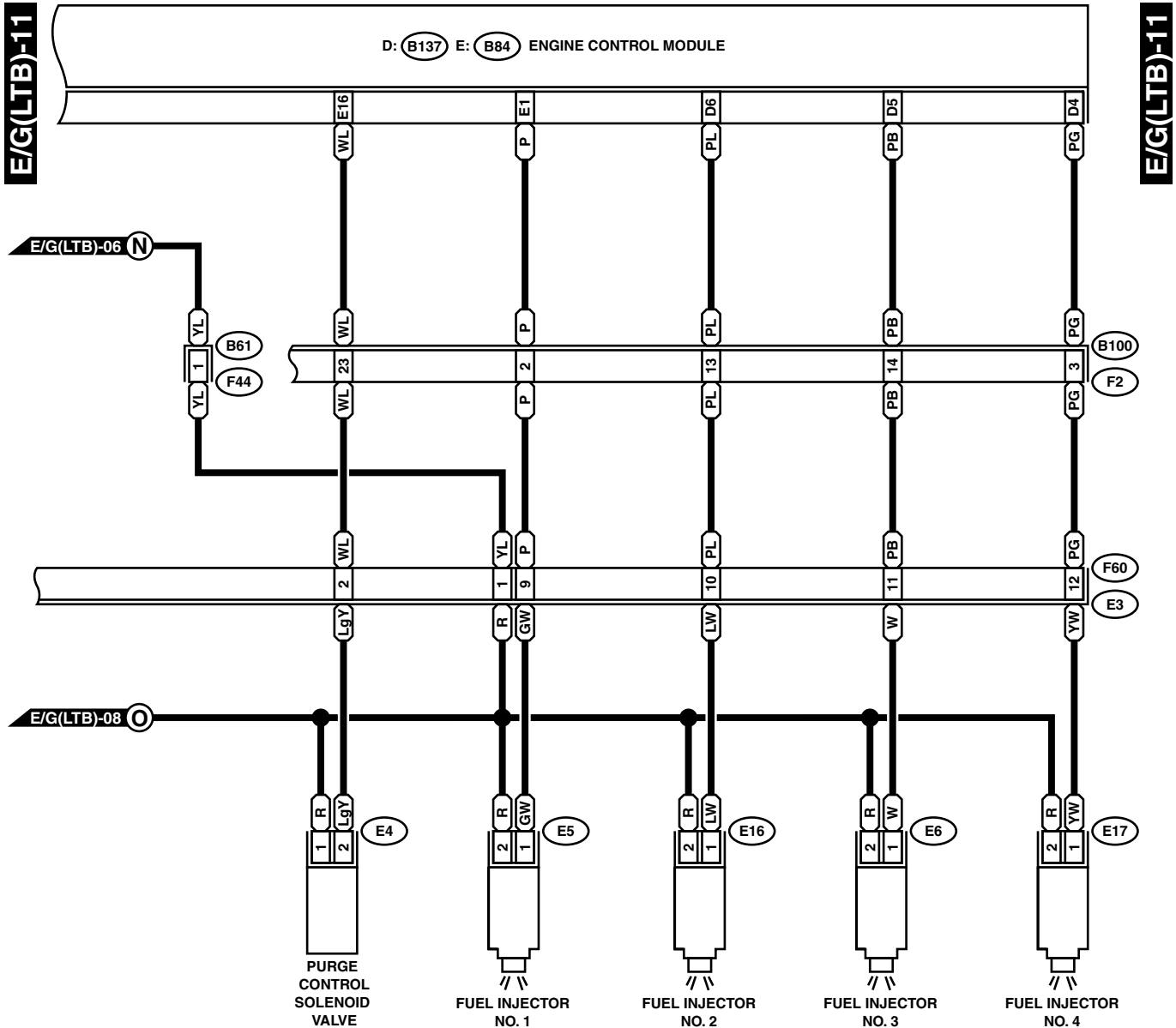
WIRING SYSTEM



WI-02334

# Engine Electrical System

WIRING SYSTEM



E4 (BLACK)



E5 (DARK GRAY)



E6 (DARK GRAY)



E16 (DARK GRAY)

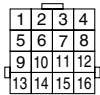
E17 (DARK GRAY)



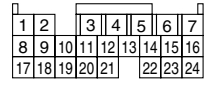
F44



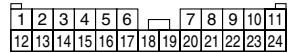
F60 (BROWN)



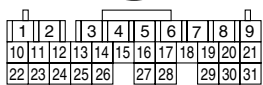
D: B137



F2 (BLACK)



E: B84



WI-02335

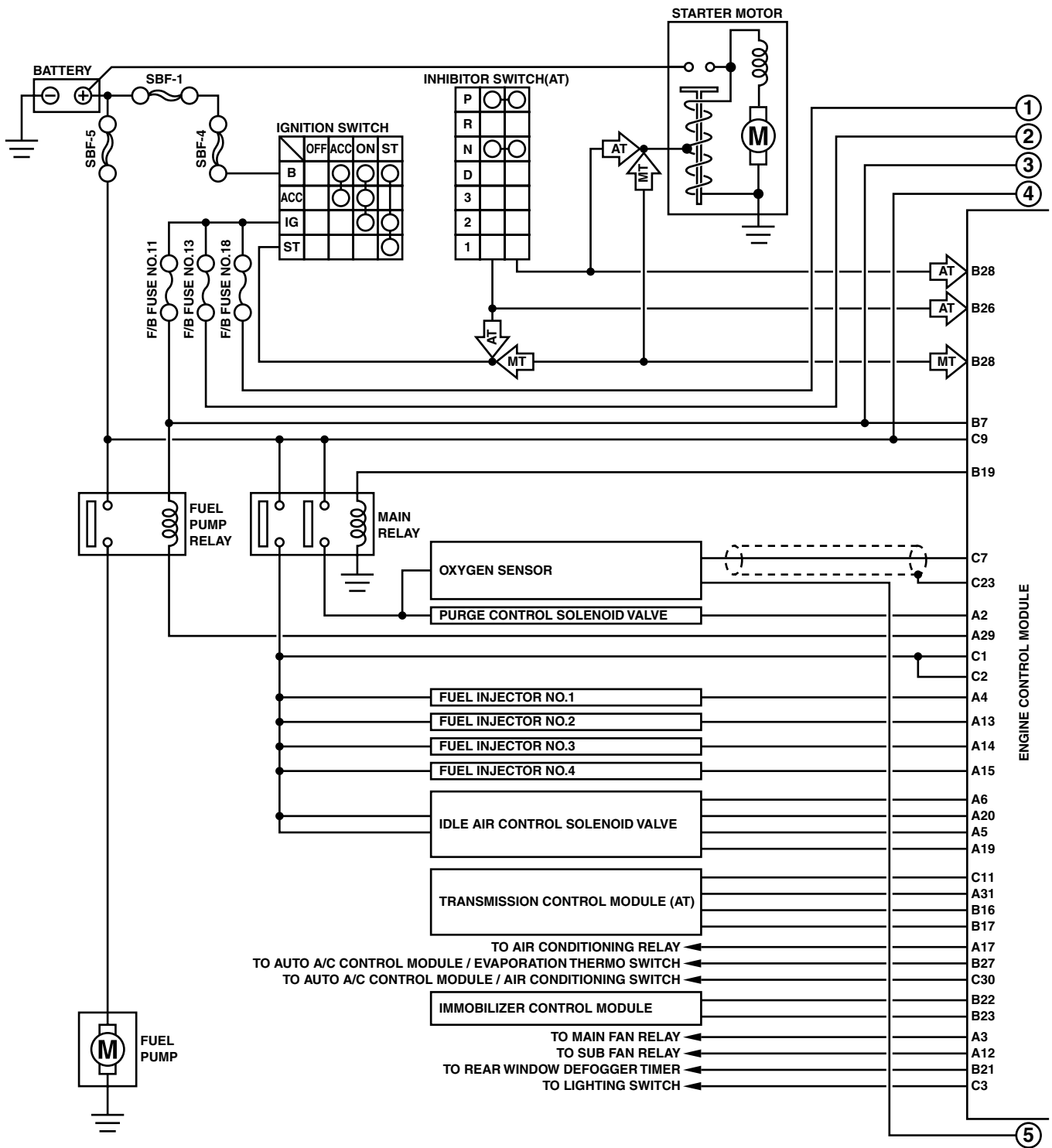




# Engine Electrical System

WIRING SYSTEM

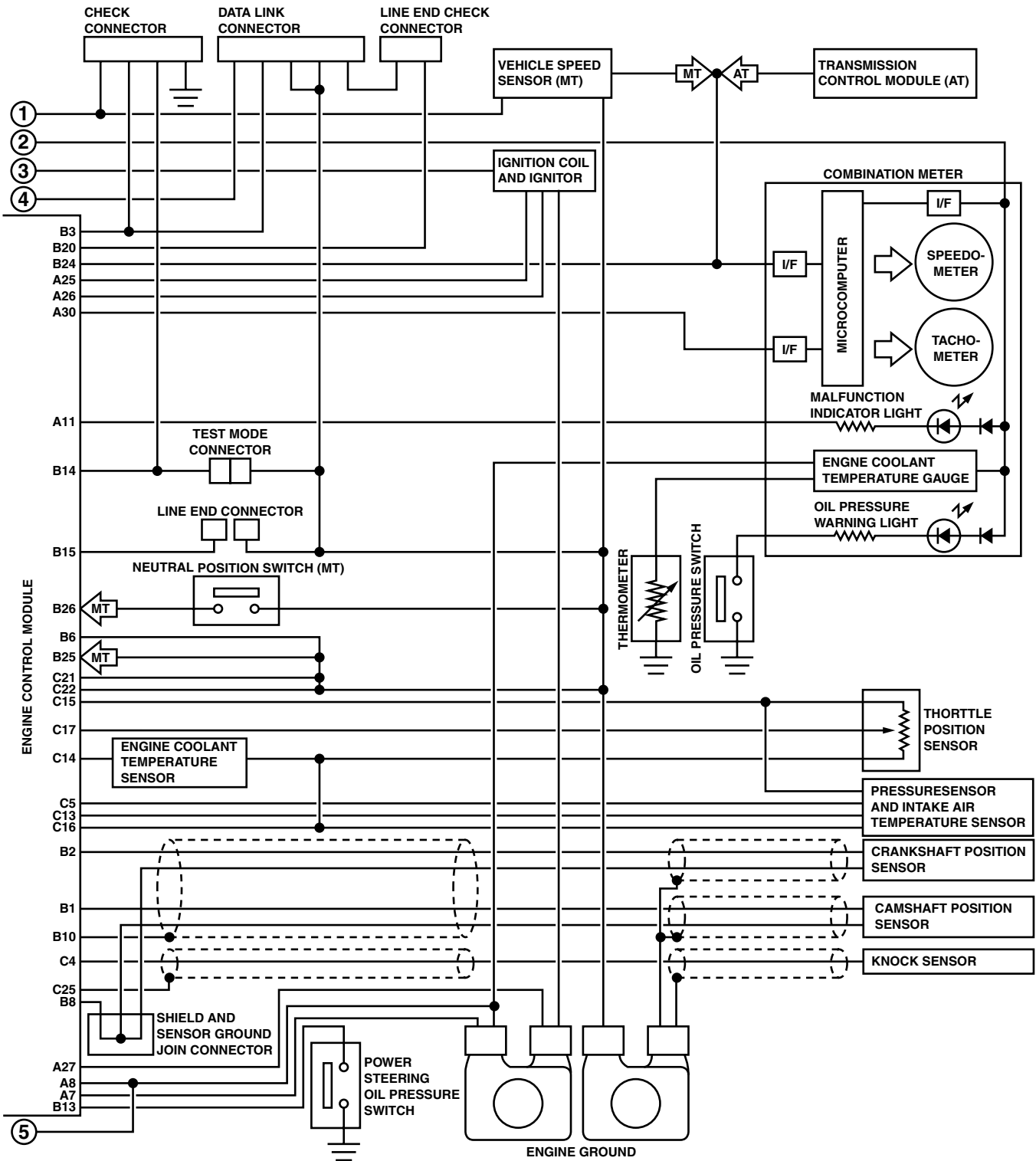
## 4. RHD SOHC W/O OBD MODEL



WI-04474

# Engine Electrical System

WIRING SYSTEM



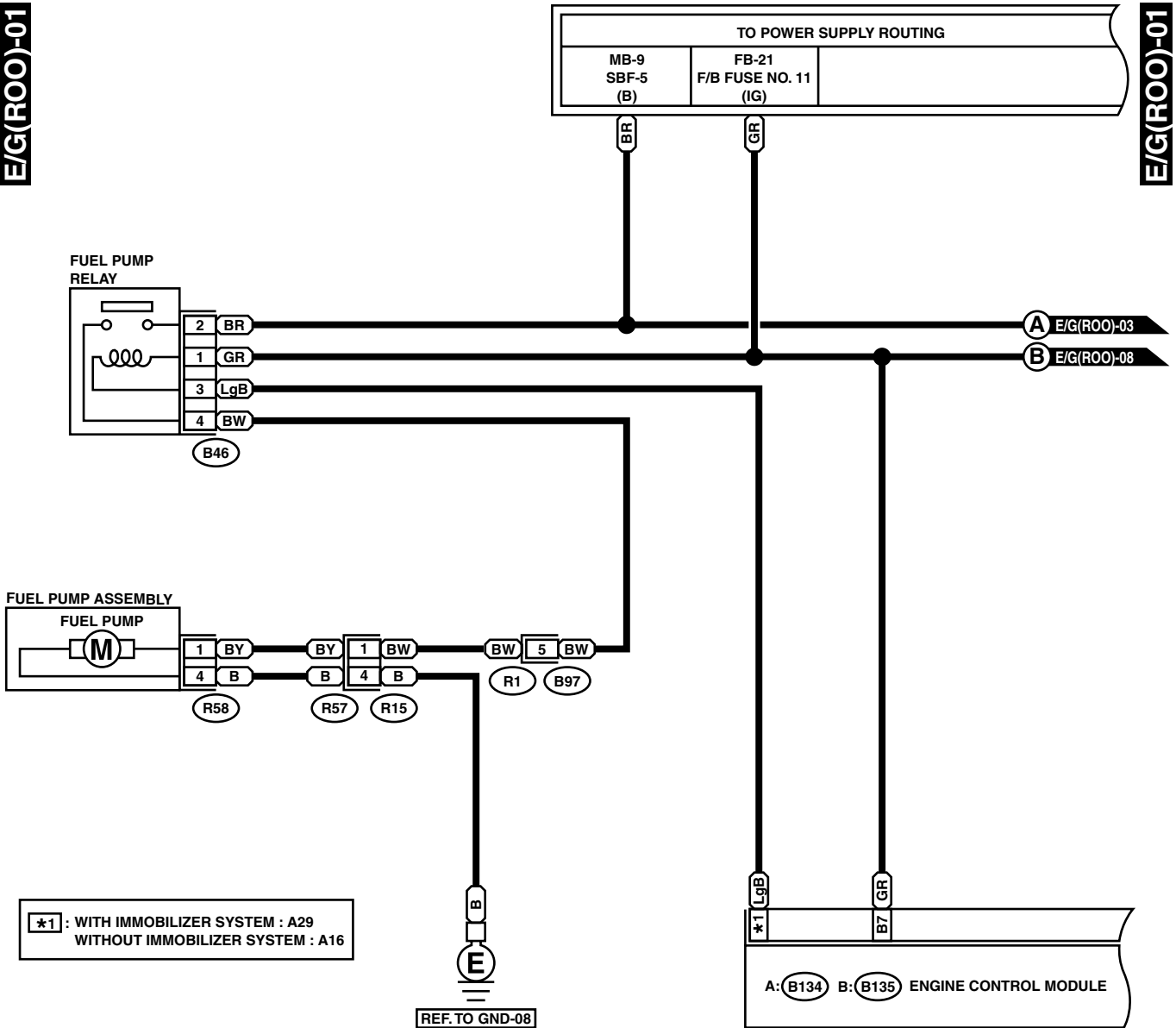
WI-02566

# Engine Electrical System

## WIRING SYSTEM

E/G(ROO)-01

E/G(ROO)-01



B46 (GREEN)

R58

B97 (BLACK)

B: B135

A: B134

1	2
3	4

1	2	3
4	5	6

1	2	3	4
5	6	7	8

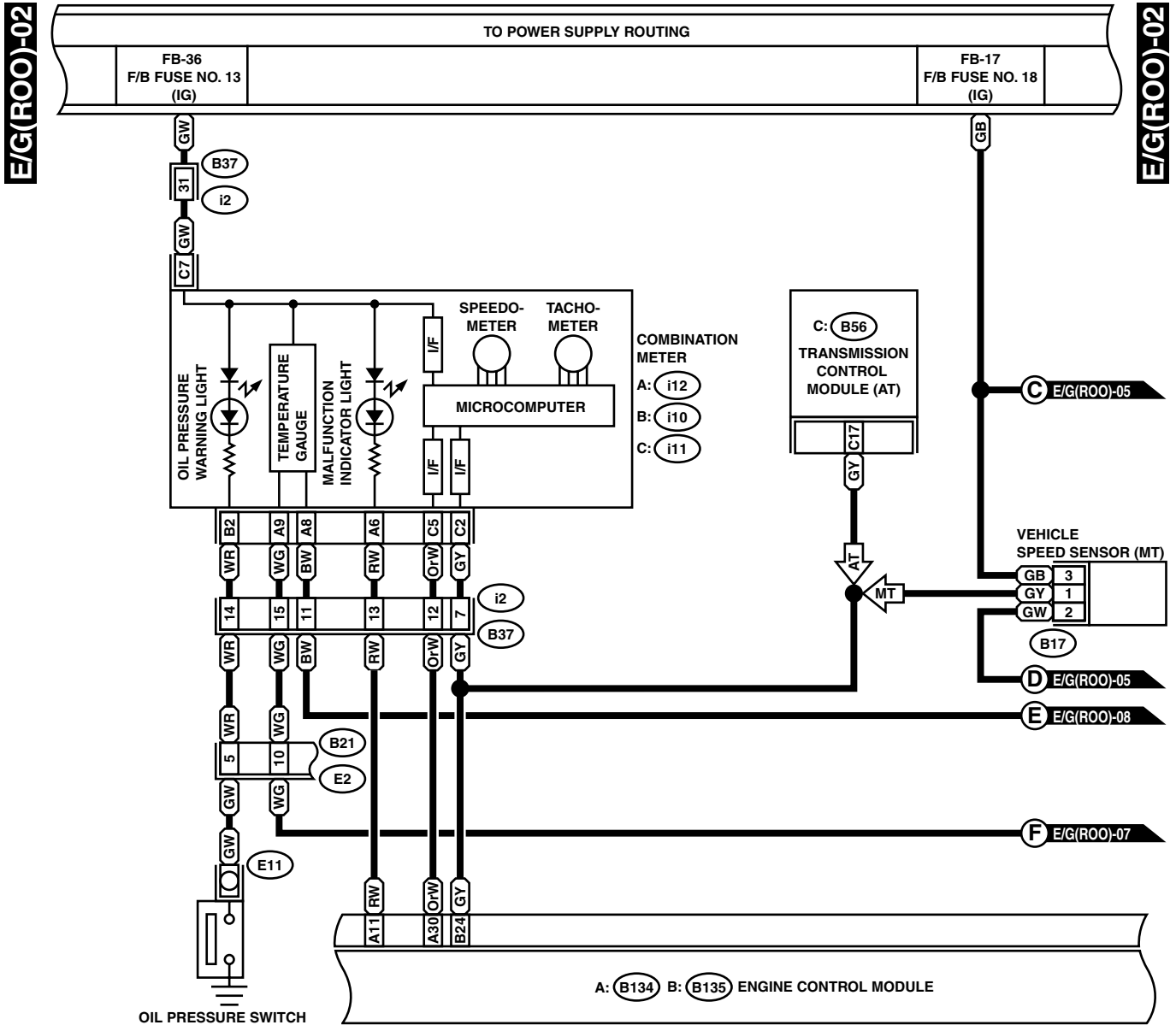
1	2	3			4	5	6	7			
8	9	10	11	12	13	14	15	16	17	18	19
20	21	22	23	24	25	26	27	28			

1	2	3	4			5	6	7	8					
9	10	11	12	13	14	15	16	17	18	19	20	21	22	23
24	25	26	27	28	29	30	31	32	33	34	35			

WI-02336

# Engine Electrical System

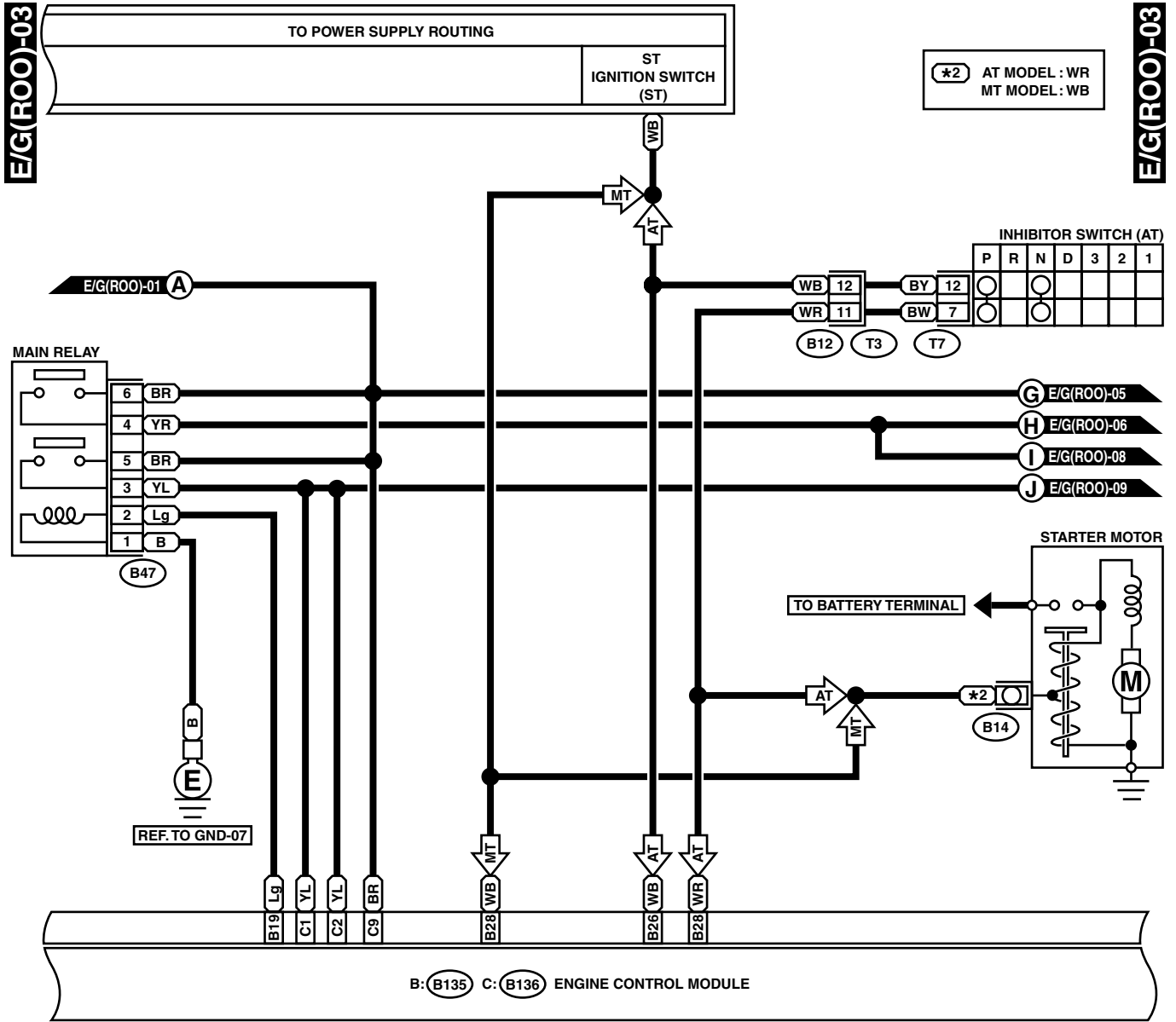
WIRING SYSTEM



WI-02337

# Engine Electrical System

WIRING SYSTEM



**(B47) (BROWN)**

1	2
3	4
5	6

**(B12)**

1	2	3	4
5	6	7	8
9	10	11	12

**(T7)**

1	2	3	4	5	6
7	8	9	10	11	12

**B: (B135)**

1	2	3		4	5	6	7				
8	9	10	11	12	13	14	15	16	17	18	19
20	21	22	23	24	25	26	27	28			

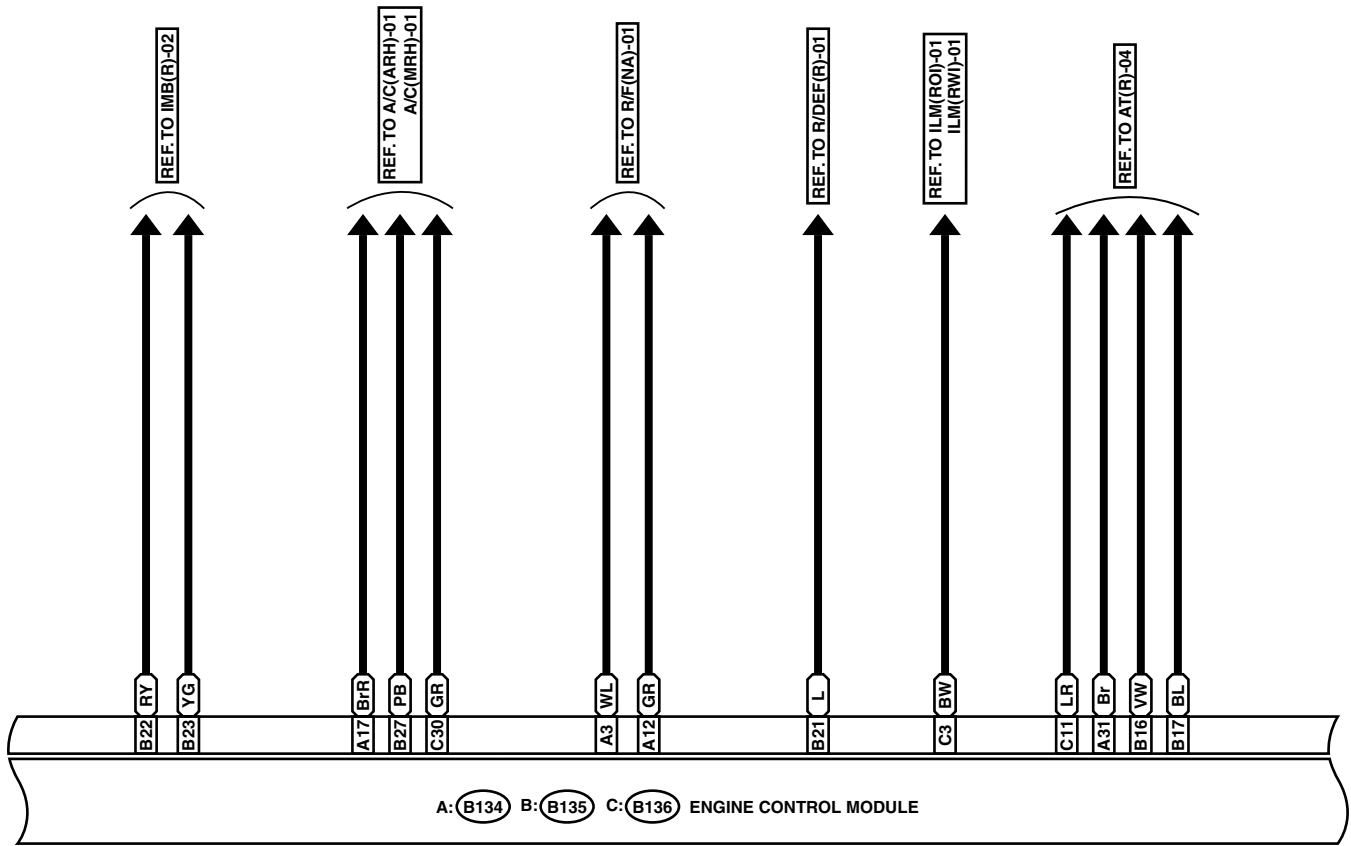
**C: (B136)**

1	2	3		4	5	6	7					
8	9	10	11	12	13	14	15	16	17	18	19	20
21	22	23	24	25	26	27	28	29	30			

WI-02338

E/G(ROO)-04

E/G(ROO)-04



B: B135

1	2	3		4	5	6	7				
8	9	10	11	12	13	14	15	16	17	18	19
20	21	22	23	24	25	26	27	28			

C: B136

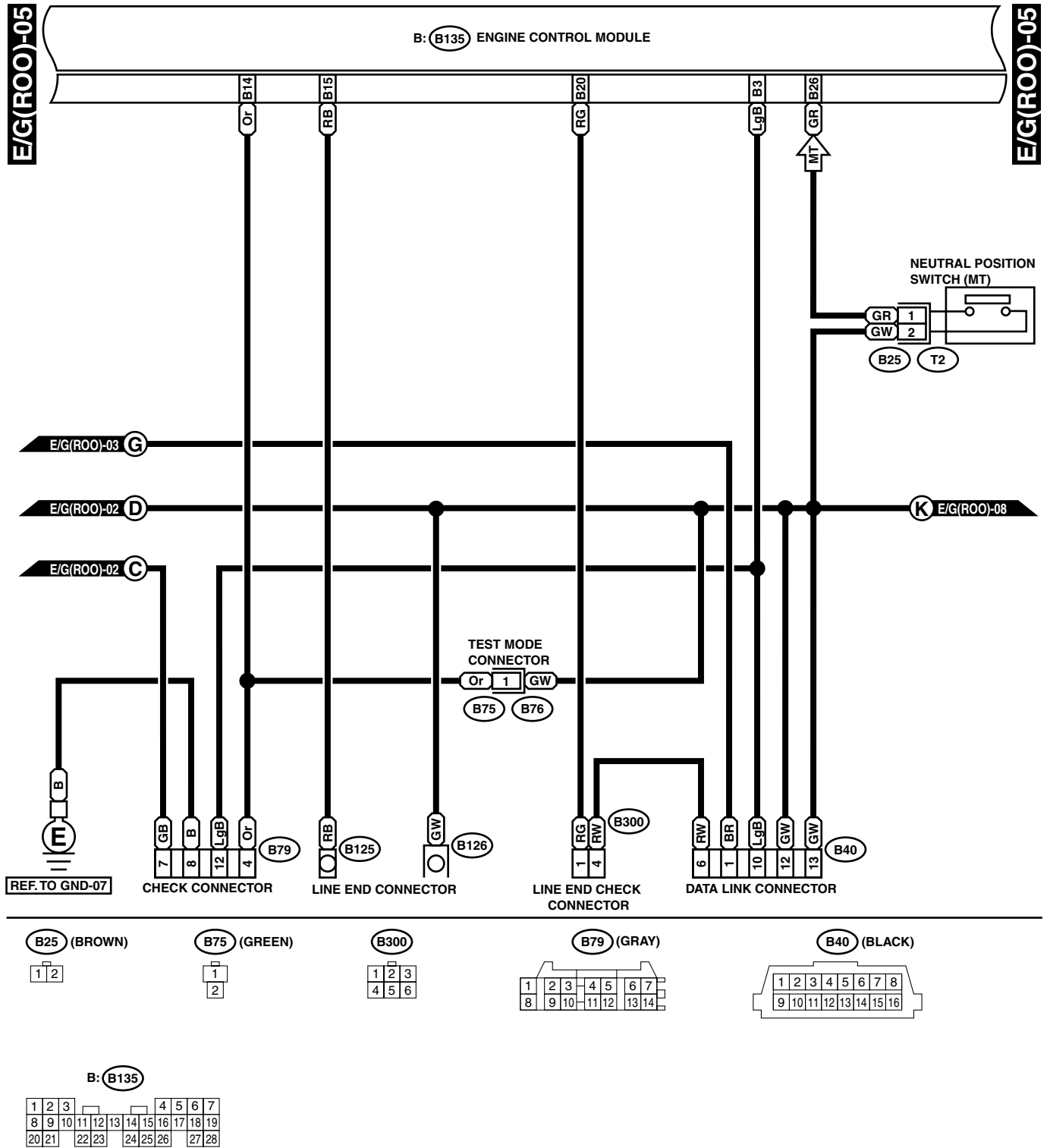
1	2	3		4	5	6	7					
8	9	10	11	12	13	14	15	16	17	18	19	20
21	22	23	24	25	26	27	28	29	30			

A: B134

1	2	3	4		5	6	7	8						
9	10	11	12	13	14	15	16	17	18	19	20	21	22	23
24	25	26	27	28	29	30	31	32	33	34	35			

# Engine Electrical System

WIRING SYSTEM

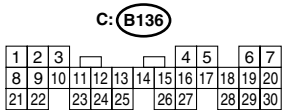
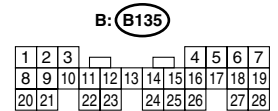
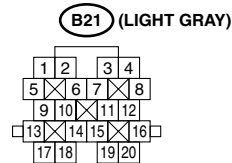
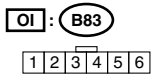
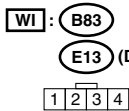
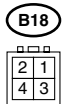
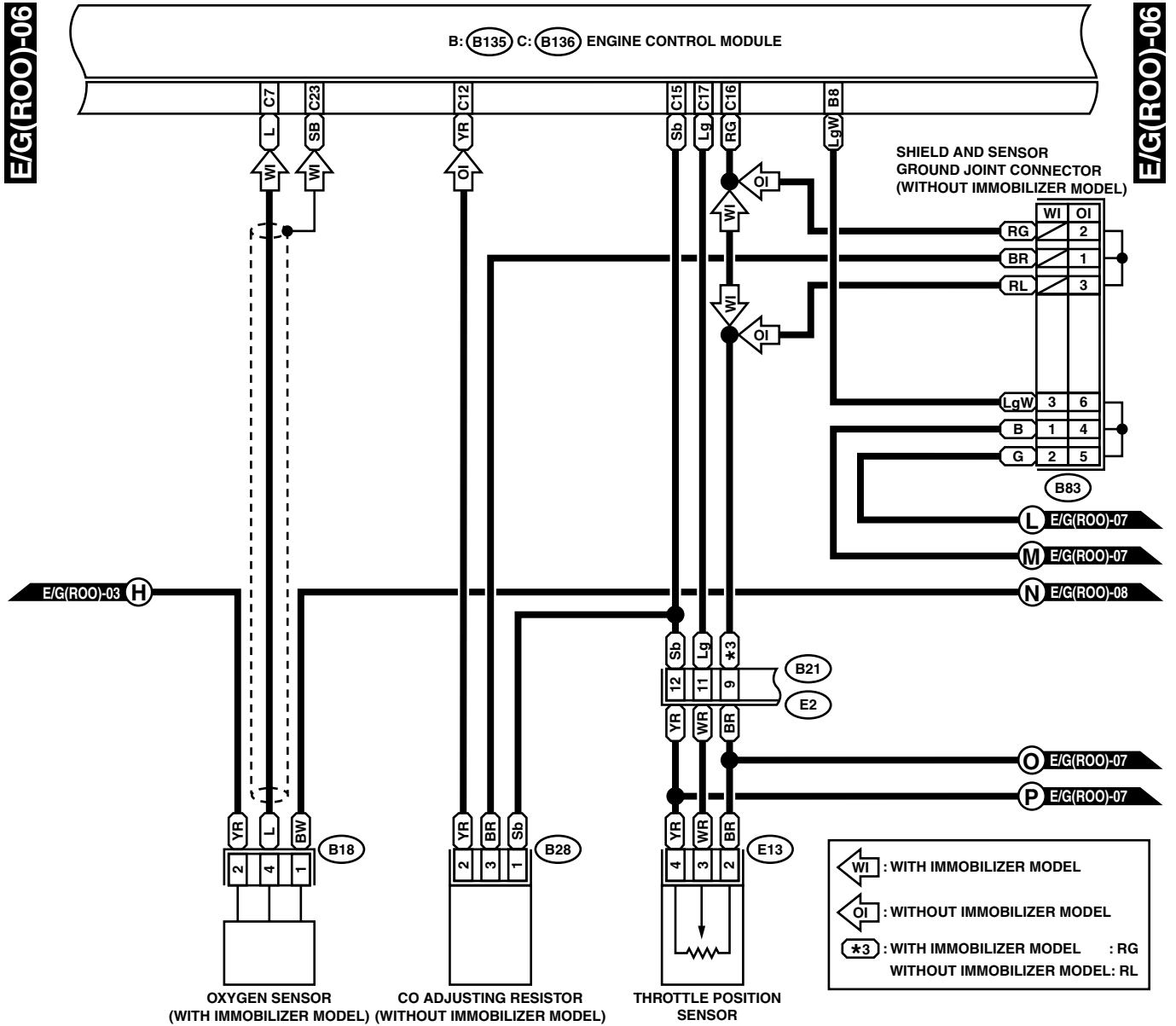


WI-02340



# Engine Electrical System

WIRING SYSTEM



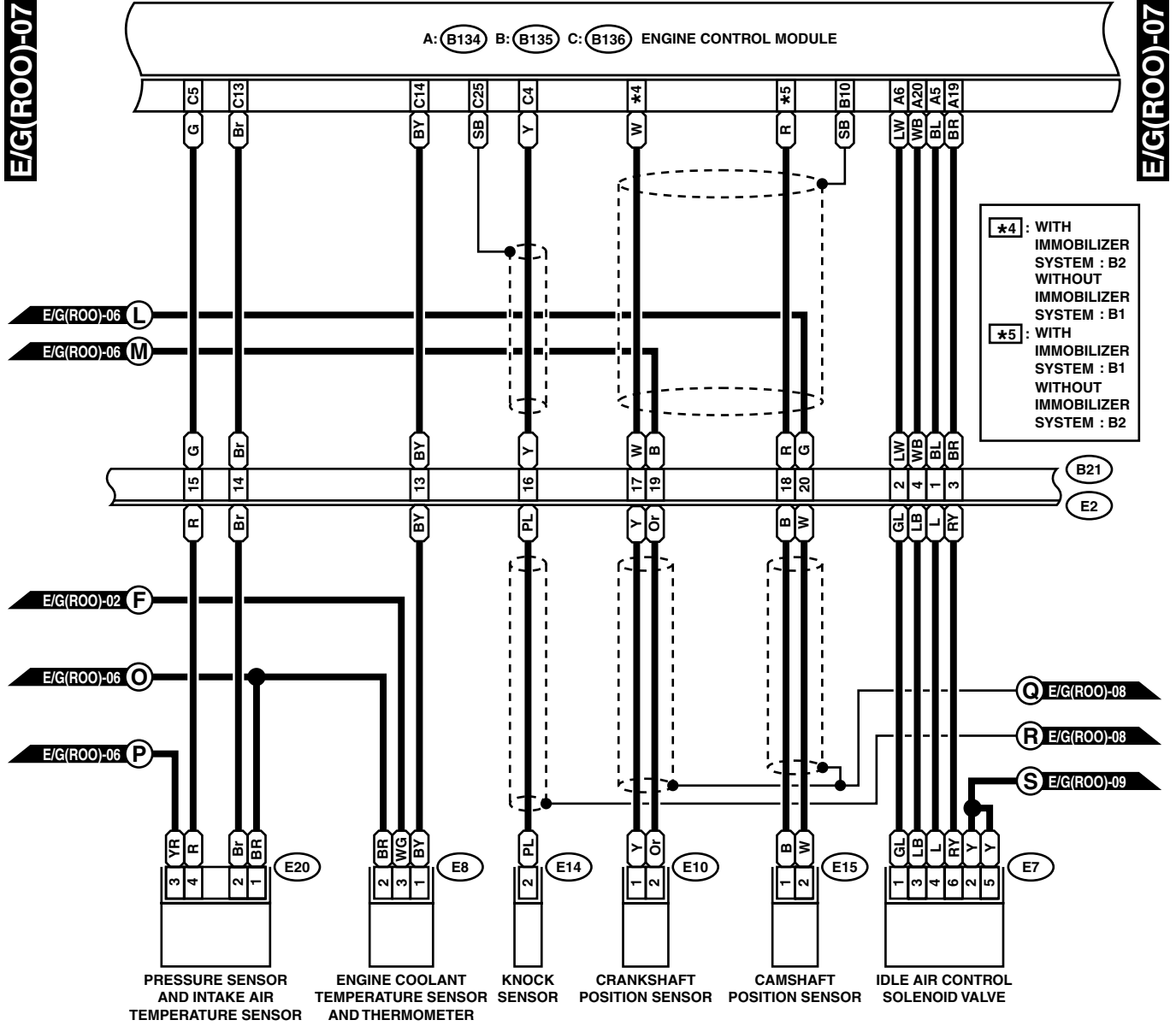
WI-04476

# Engine Electrical System

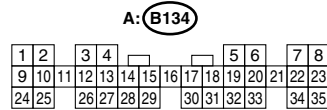
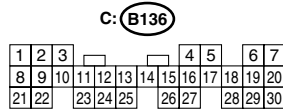
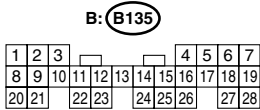
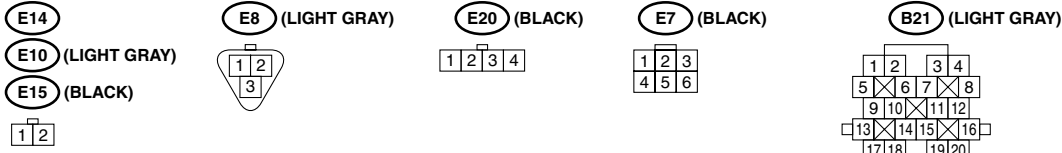
WIRING SYSTEM

E/G(ROO)-07

E/G(ROO)-07



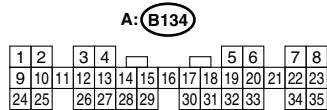
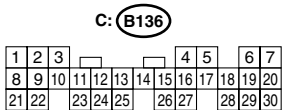
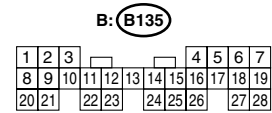
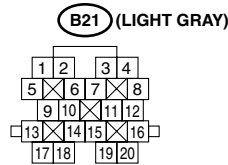
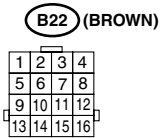
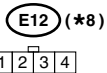
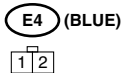
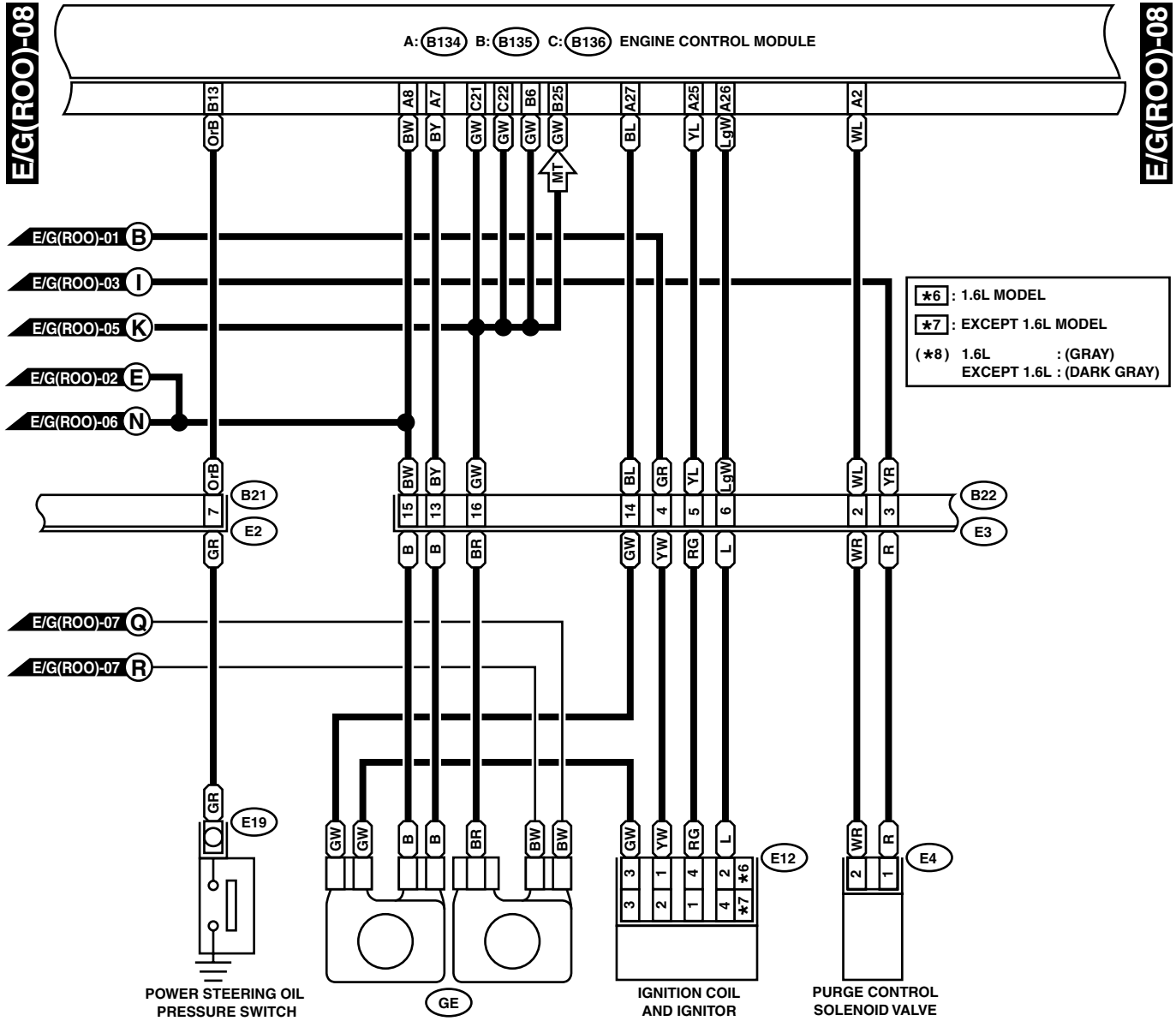
\*4 : WITH IMMOBILIZER SYSTEM : B2  
 WITHOUT IMMOBILIZER SYSTEM : B1  
 \*5 : WITH IMMOBILIZER SYSTEM : B1  
 WITHOUT IMMOBILIZER SYSTEM : B2



WI-02342

# Engine Electrical System

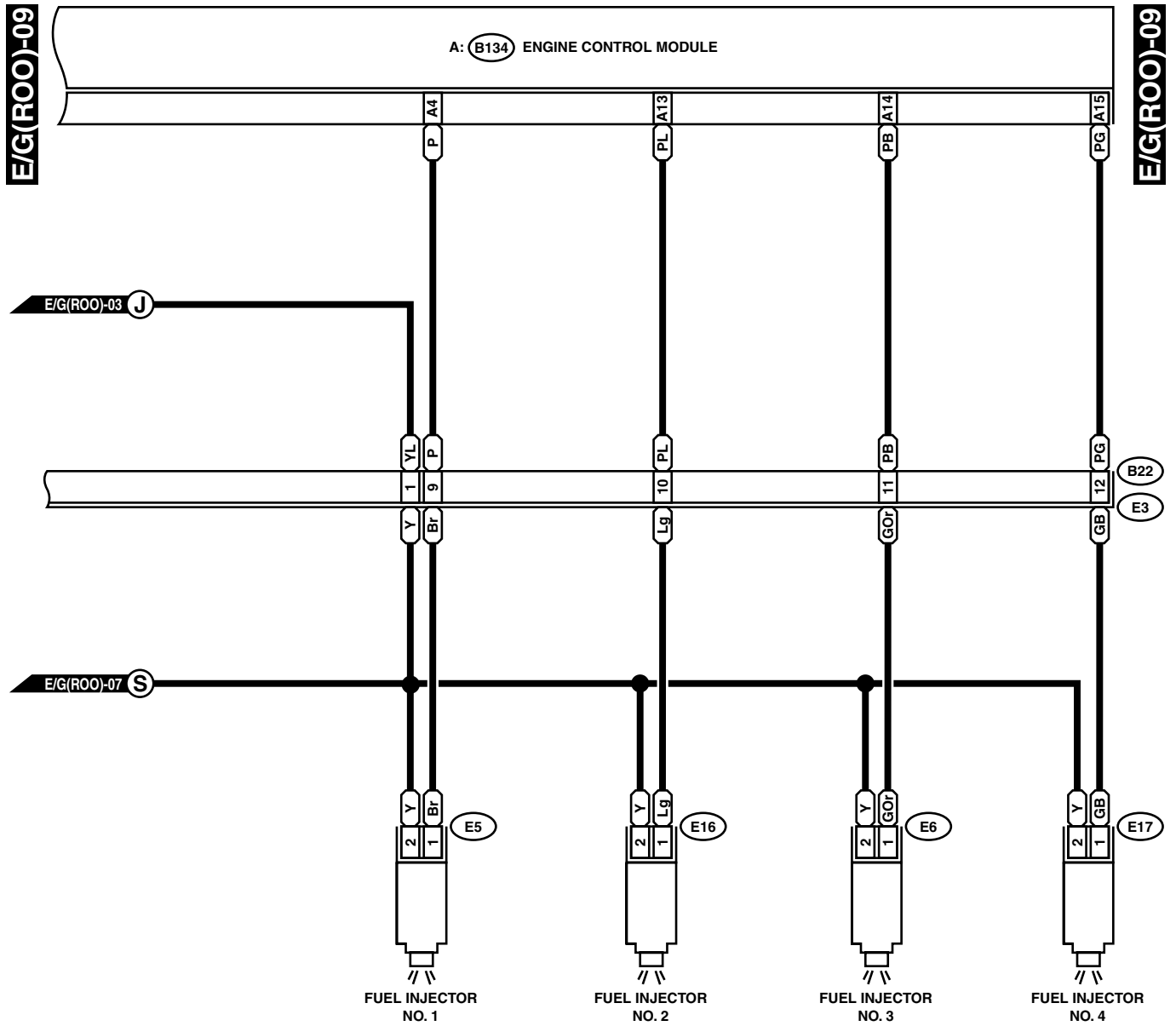
WIRING SYSTEM



WI-02343

# Engine Electrical System

WIRING SYSTEM



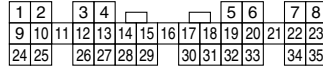
- (E5) (LIGHT GRAY)
- (E6) (LIGHT GRAY)
- (E16) (LIGHT GRAY)
- (E17) (LIGHT GRAY)



- (B22) (BROWN)



- A: (B134)



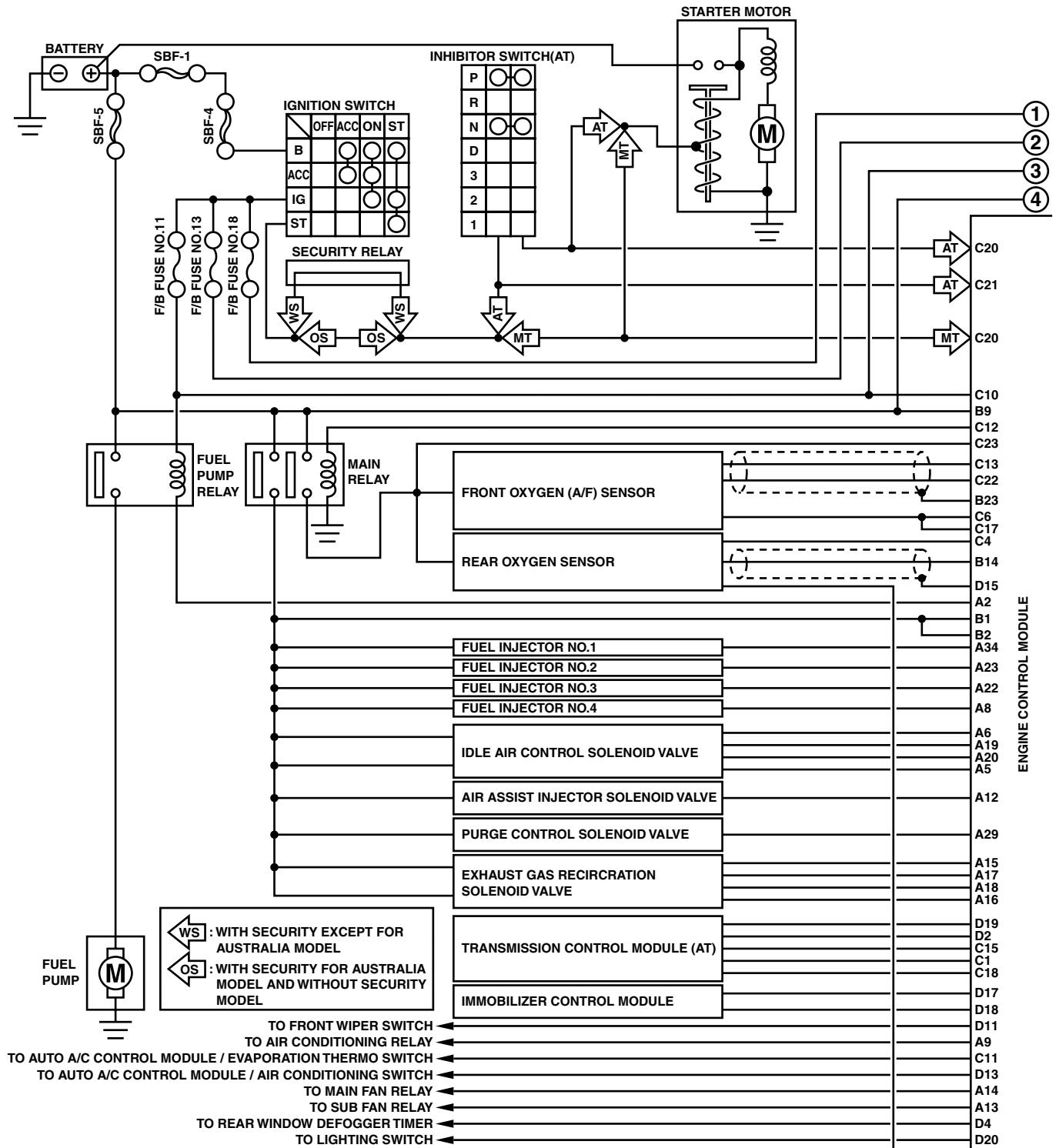
WI-02344



# Engine Electrical System

WIRING SYSTEM

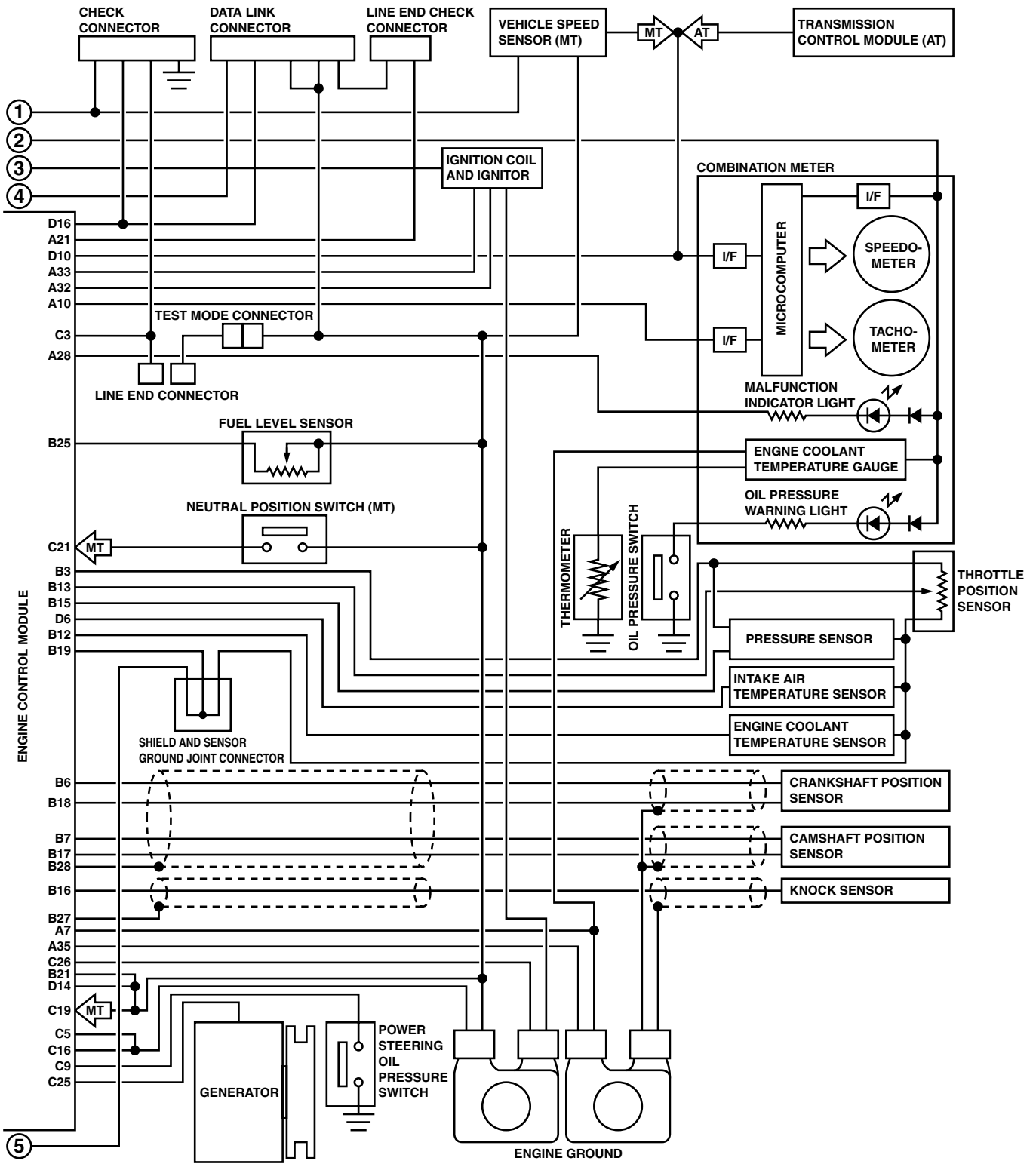
## 5. RHD SOHC WITH OBD MODEL



WI-04477

# Engine Electrical System

WIRING SYSTEM



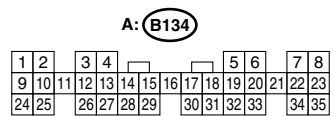
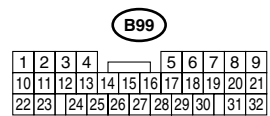
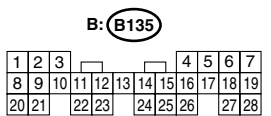
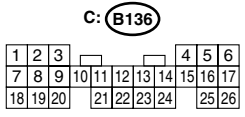
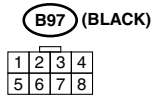
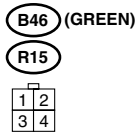
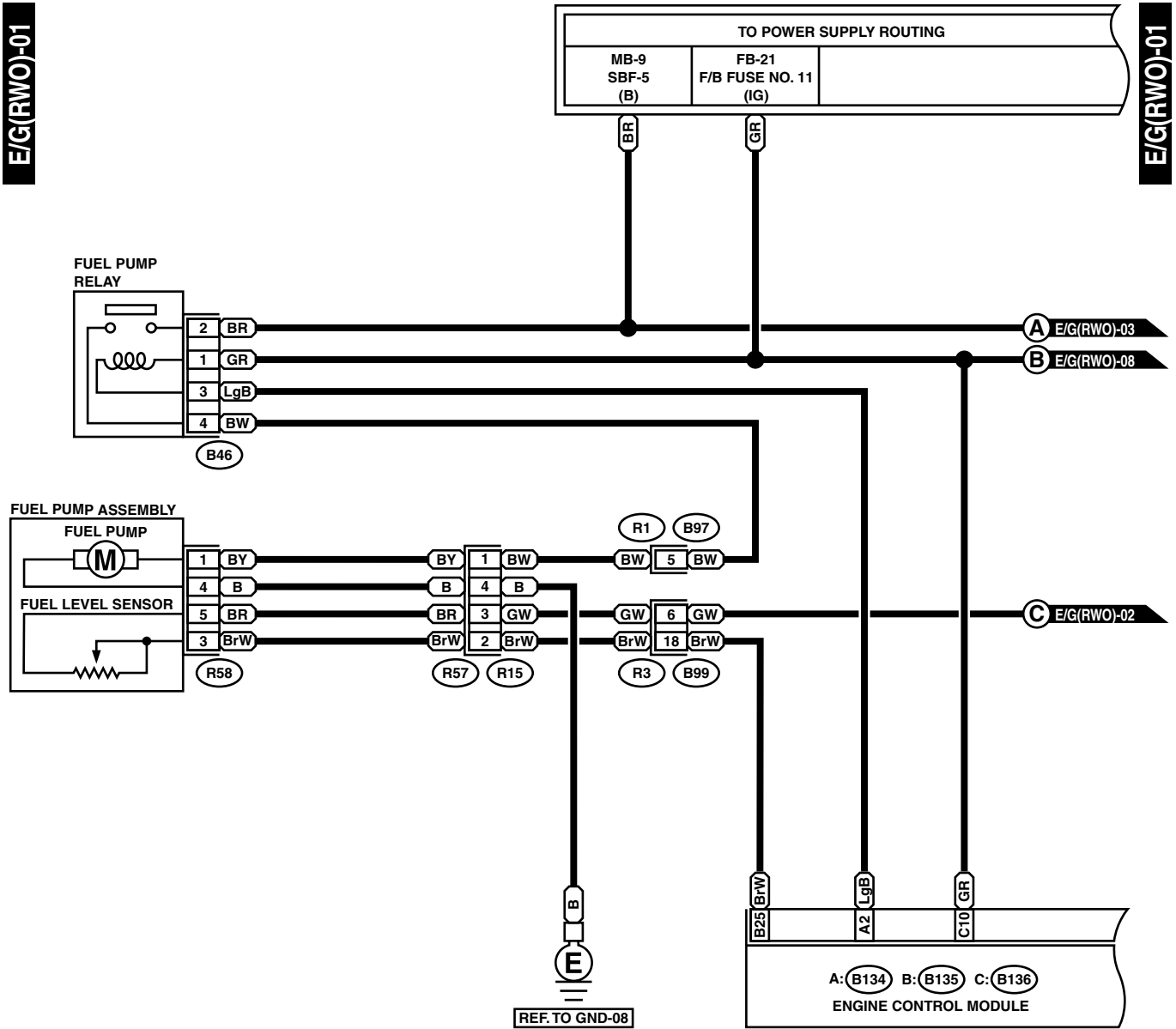
WI-02568

# Engine Electrical System

WIRING SYSTEM

E/G(RWO)-01

E/G(RWO)-01

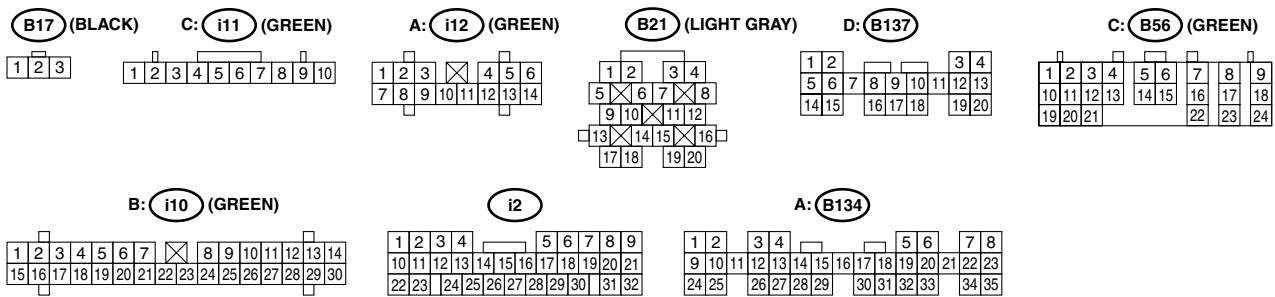
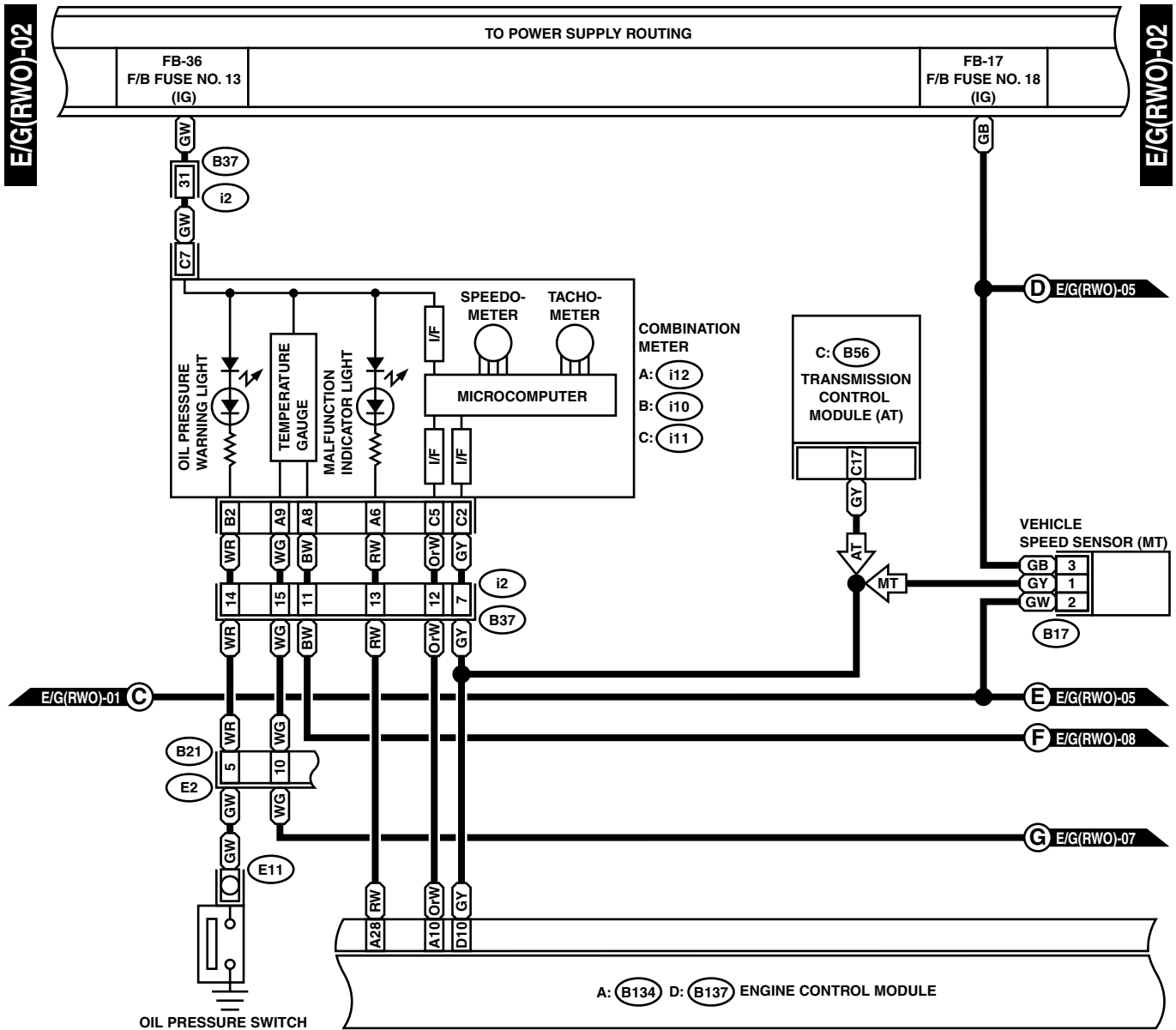


WI-04551



# Engine Electrical System

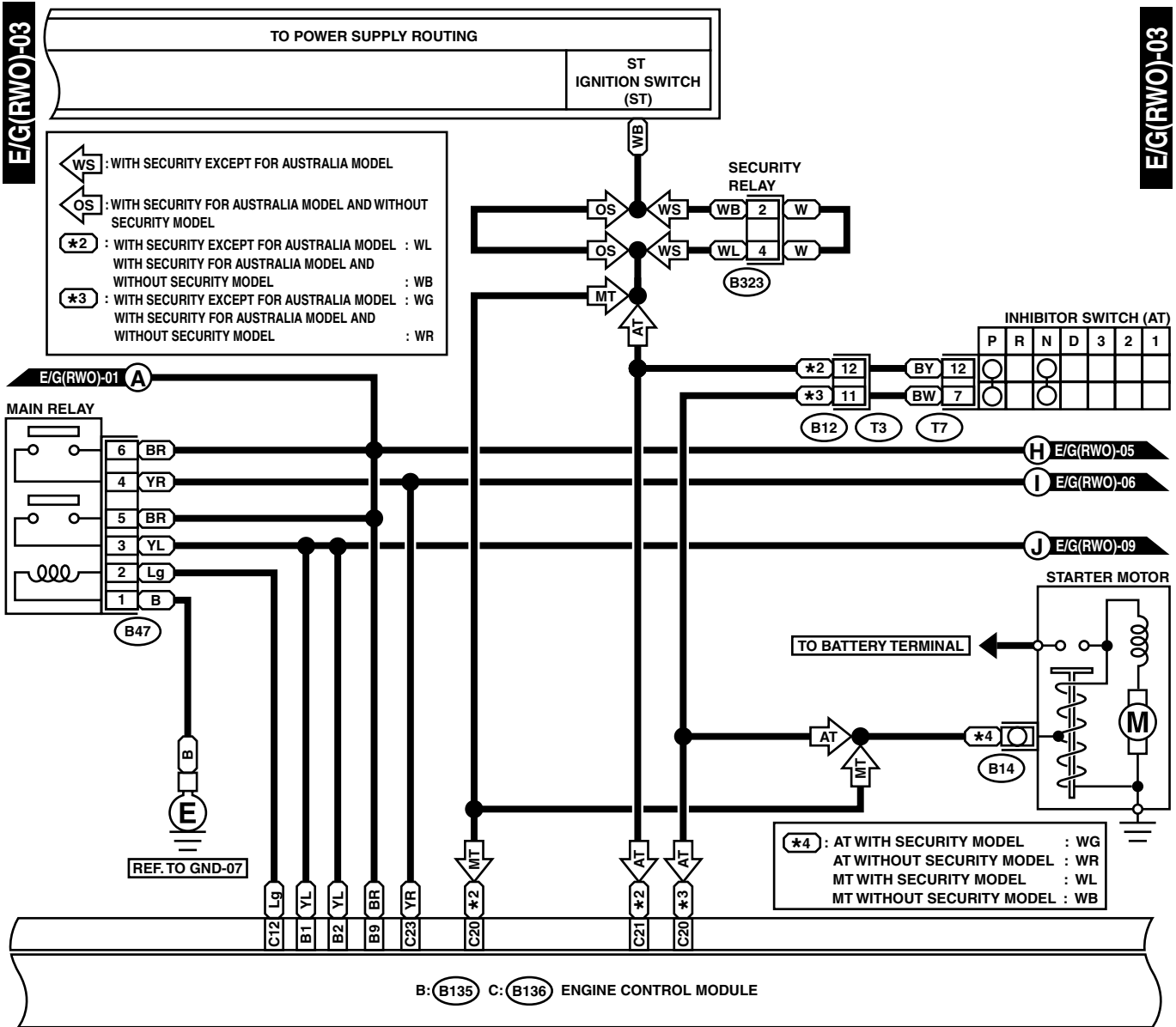
WIRING SYSTEM



WI-02346

# Engine Electrical System

WIRING SYSTEM



(B323) (BLUE)

(B47) (BROWN)

(B12)

(T7)

C: (B136)

B: (B135)

1	2
3	4

1	2
3	4
5	6

1	2	3	4
5	6	7	8
9	10	11	12

1	2	3	4	5	6
7	8	9	10	11	12

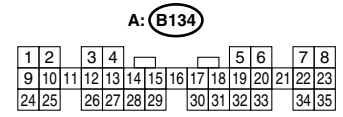
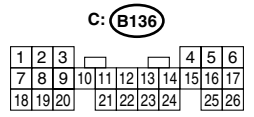
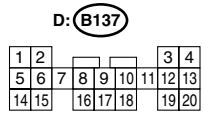
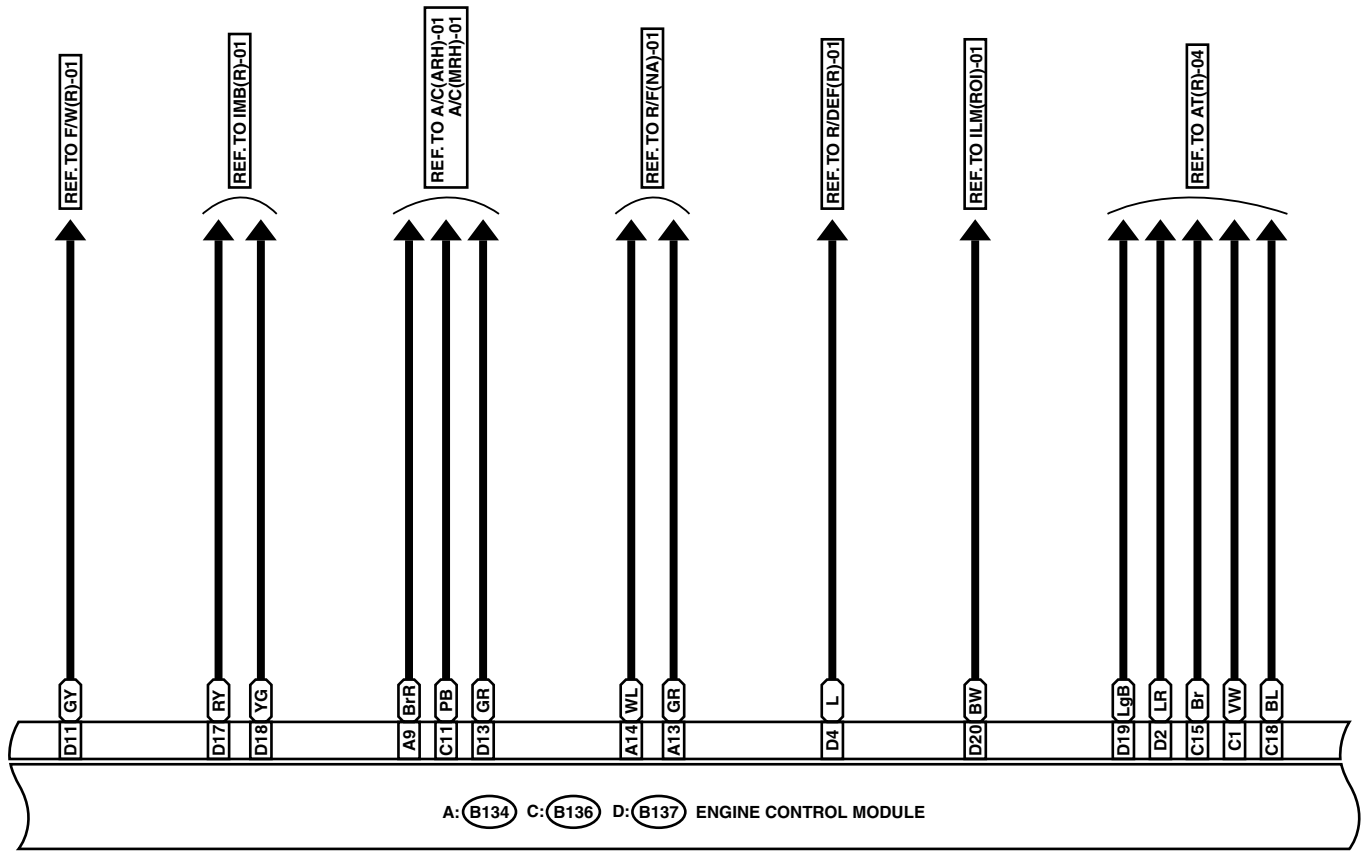
1	2	3				4	5	6		
7	8	9	10	11	12	13	14	15	16	17
18	19	20	21	22	23	24	25	26		

1	2	3				4	5	6	7		
8	9	10	11	12	13	14	15	16	17	18	19
20	21	22	23	24	25	26	27	28			

WI-04552

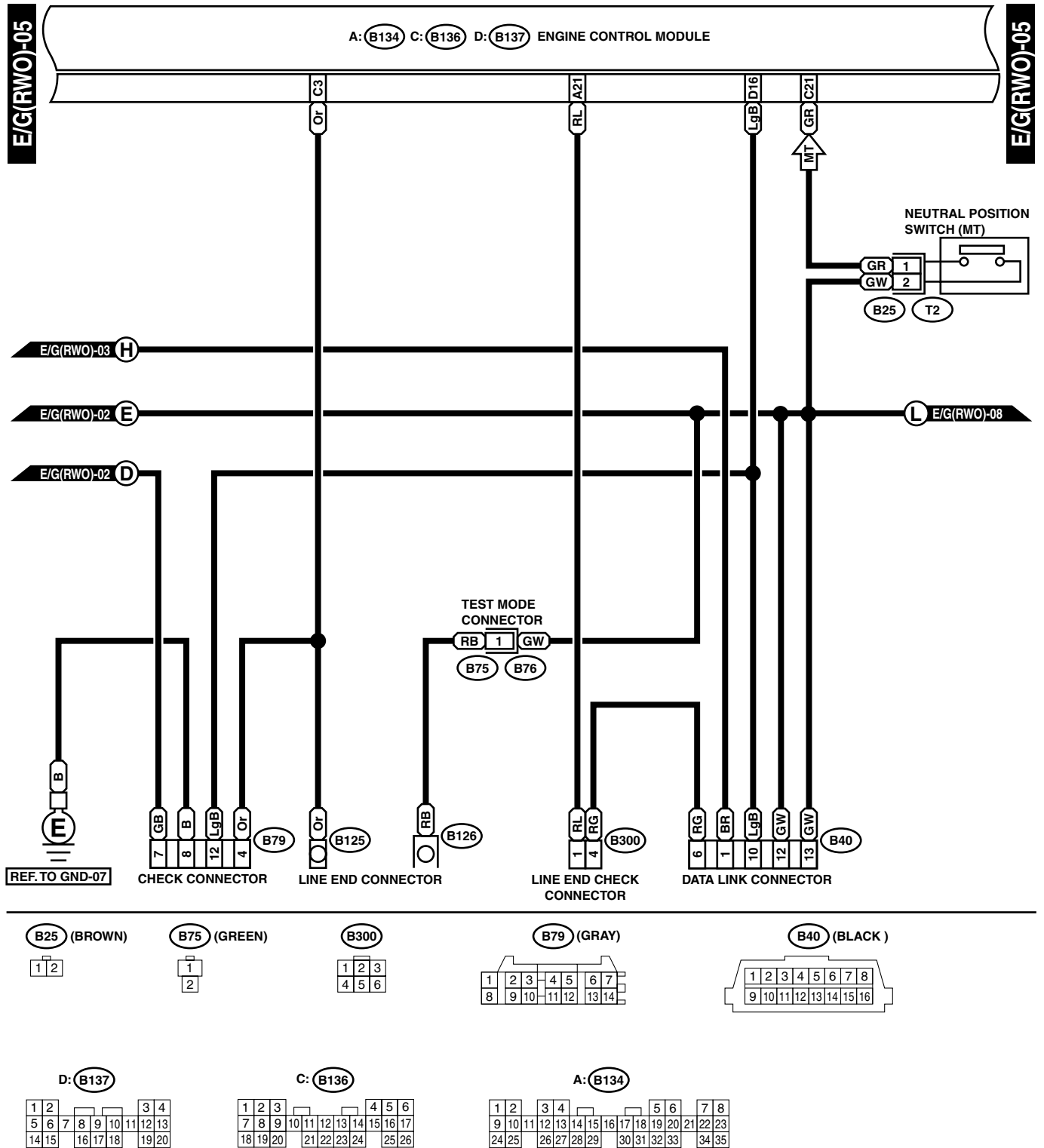
E/G(RWO)-04

E/G(RWO)-04



# Engine Electrical System

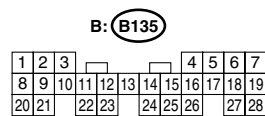
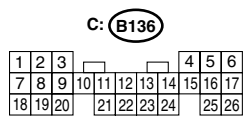
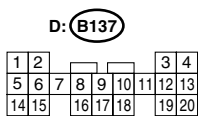
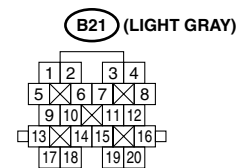
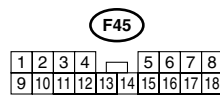
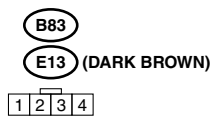
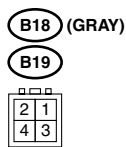
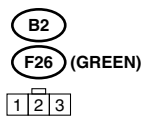
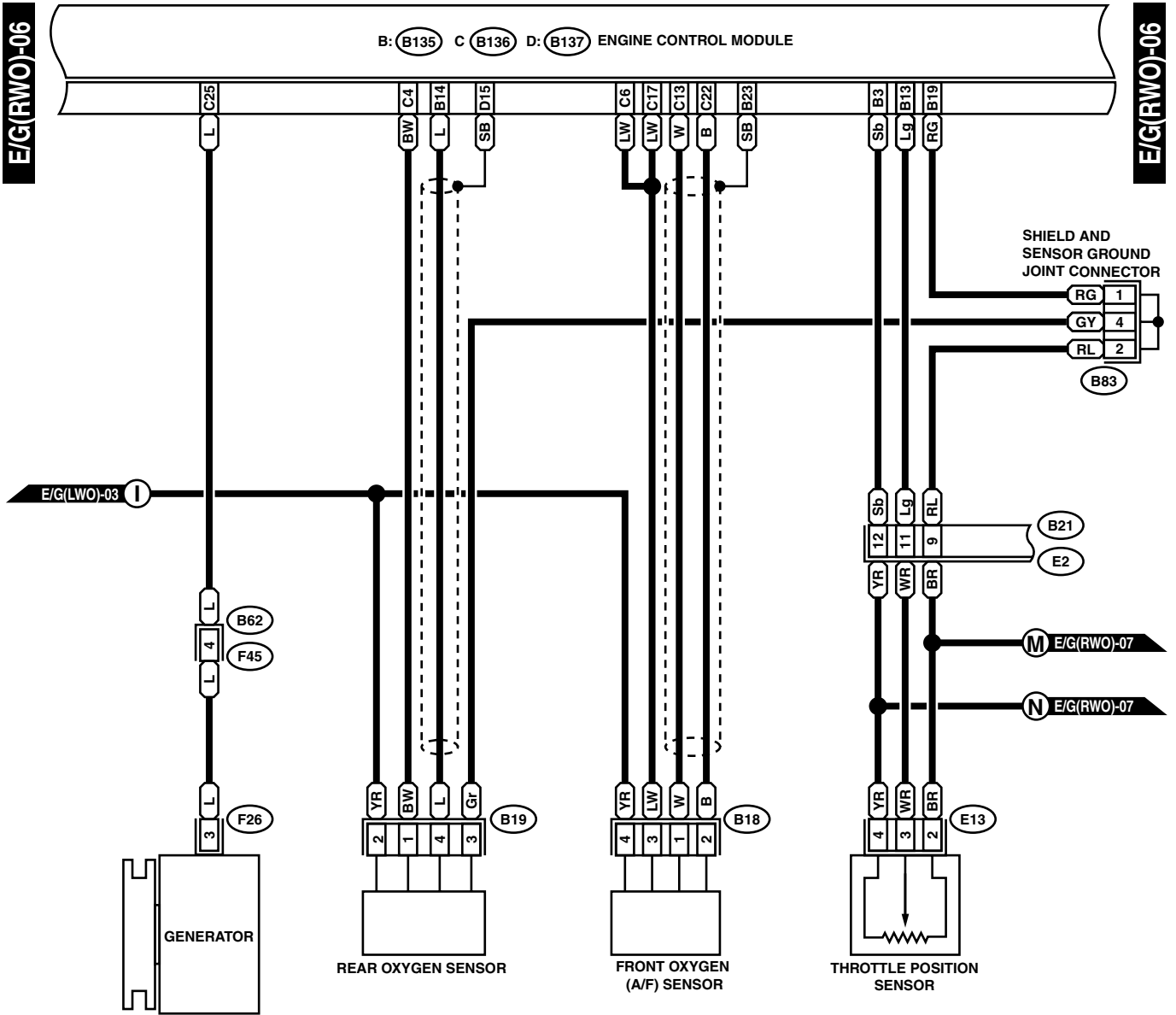
WIRING SYSTEM



WI-02349

# Engine Electrical System

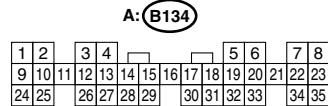
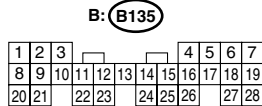
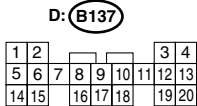
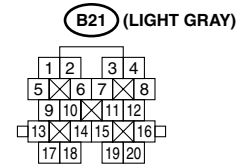
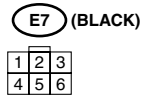
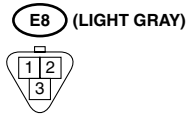
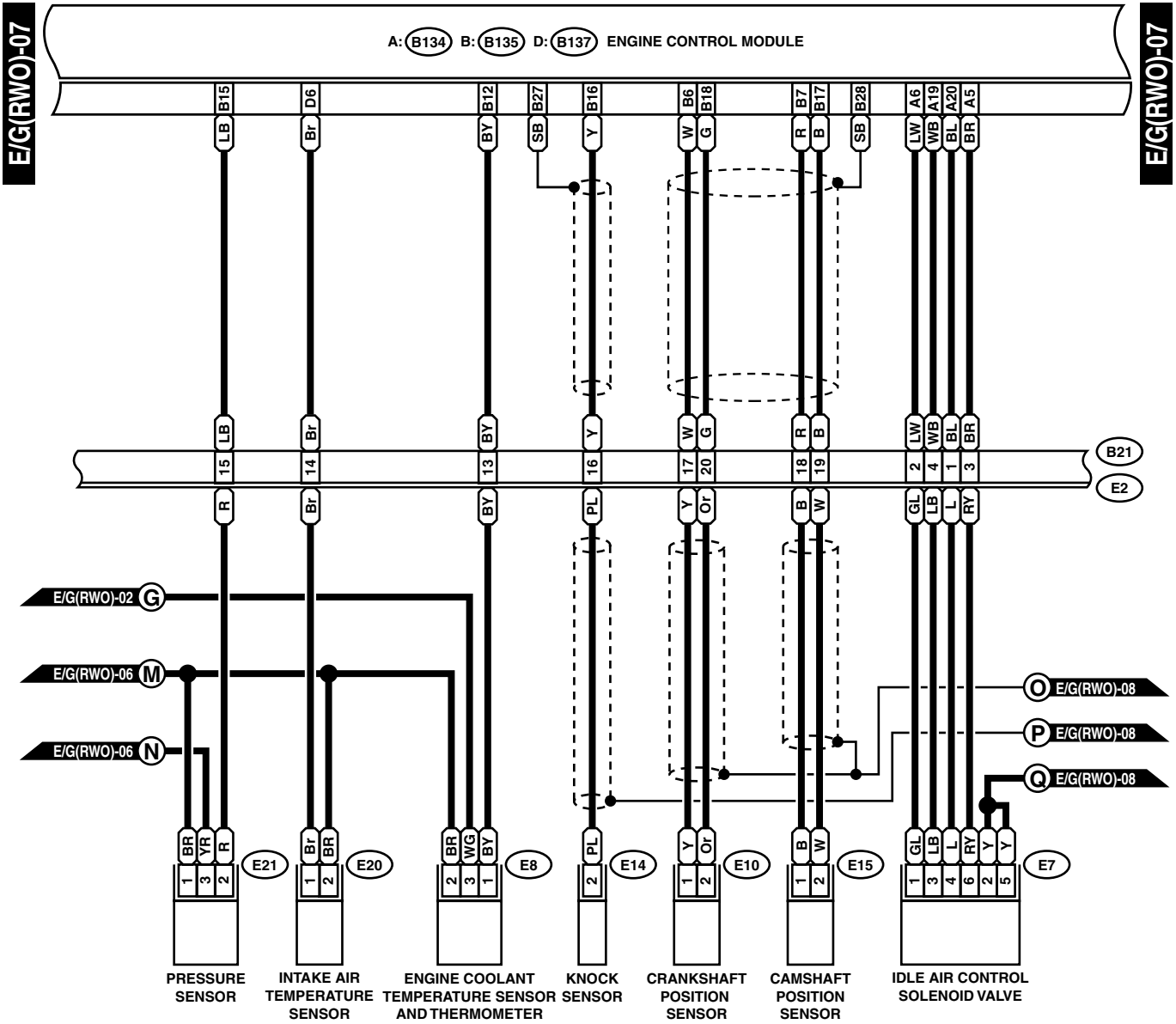
WIRING SYSTEM



WI-04554

# Engine Electrical System

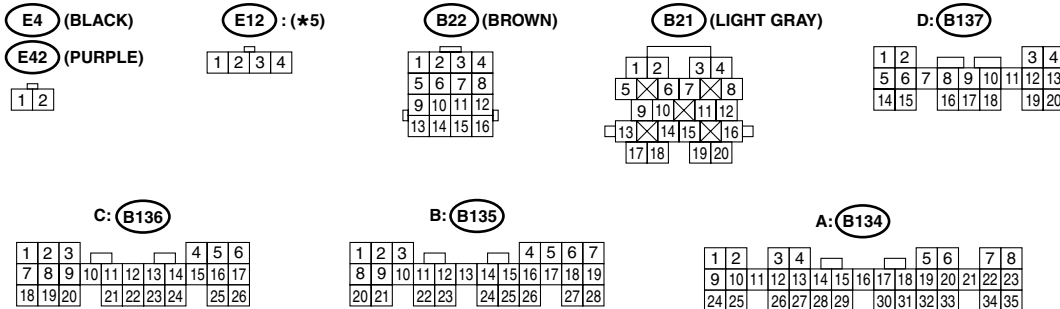
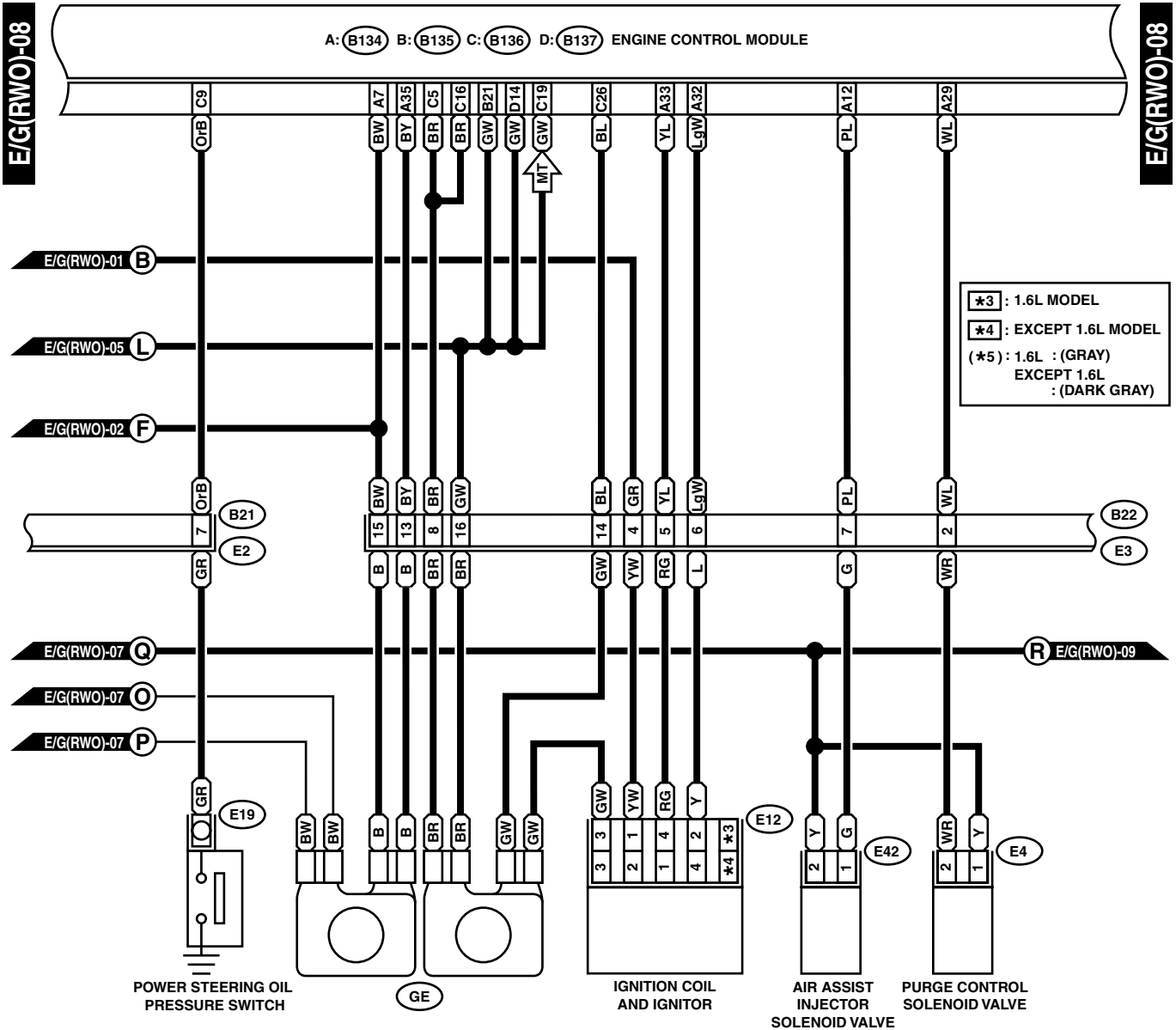
WIRING SYSTEM



WI-02351

# Engine Electrical System

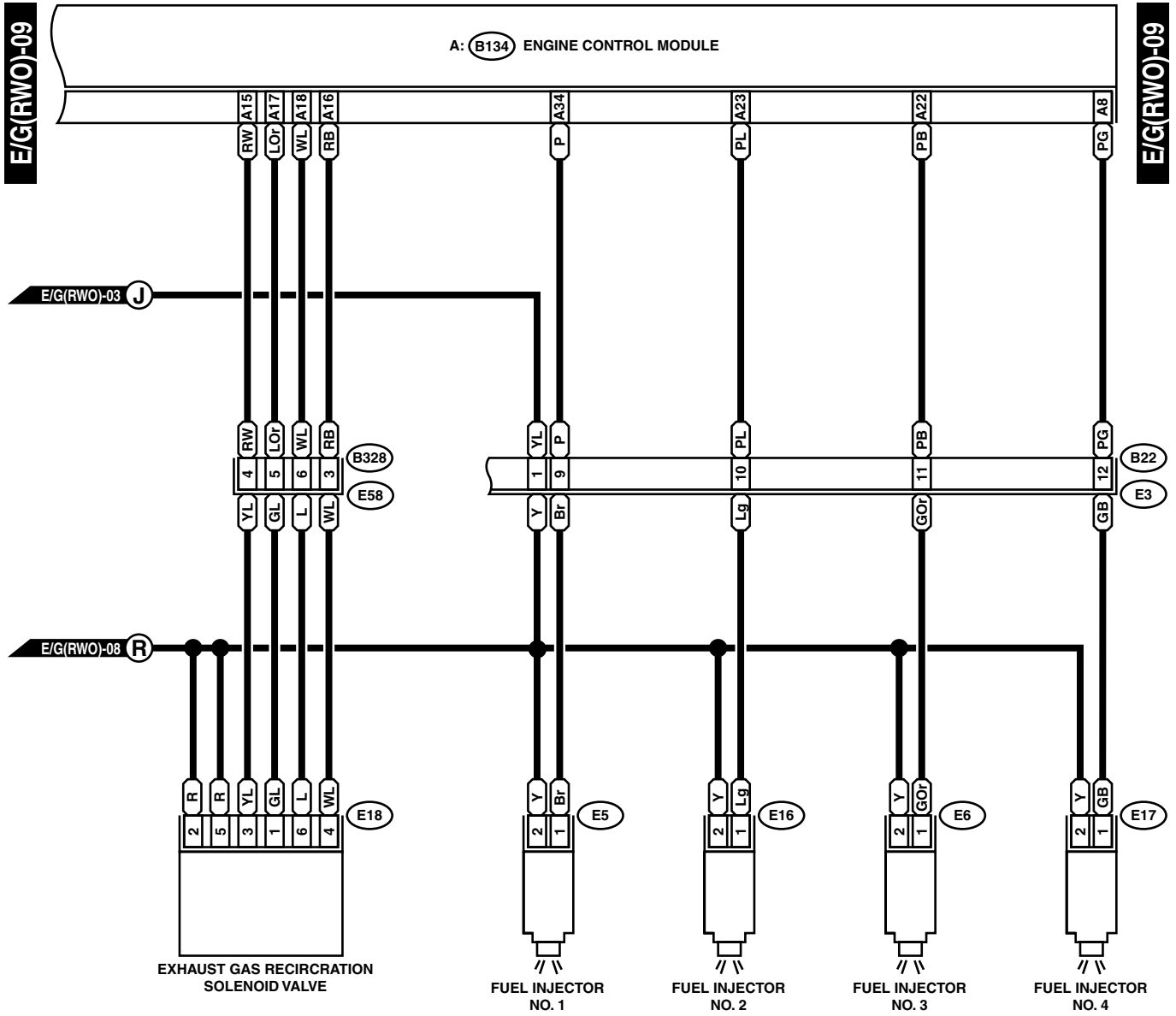
WIRING SYSTEM



WI-04555

# Engine Electrical System

## WIRING SYSTEM



- E5** (LIGHT GRAY)
- E6** (LIGHT GRAY)
- E16** (LIGHT GRAY)
- E17** (LIGHT GRAY)

- B328** (BLACK)
  - E18** (DARK GRAY)
- |   |   |   |
|---|---|---|
| 1 | 2 | 3 |
| 4 | 5 | 6 |

- B22** (BROWN)
- |    |    |    |    |
|----|----|----|----|
| 1  | 2  | 3  | 4  |
| 5  | 6  | 7  | 8  |
| 9  | 10 | 11 | 12 |
| 13 | 14 | 15 | 16 |

- A: B134**
- |    |    |    |    |    |    |    |    |
|----|----|----|----|----|----|----|----|
| 1  | 2  | 3  | 4  | 5  | 6  | 7  | 8  |
| 9  | 10 | 11 | 12 | 13 | 14 | 15 | 16 |
| 17 | 18 | 19 | 20 | 21 | 22 | 23 | 24 |
| 25 | 26 | 27 | 28 | 29 | 30 | 31 | 32 |
| 33 | 34 | 35 |    |    |    |    |    |

WI-02353

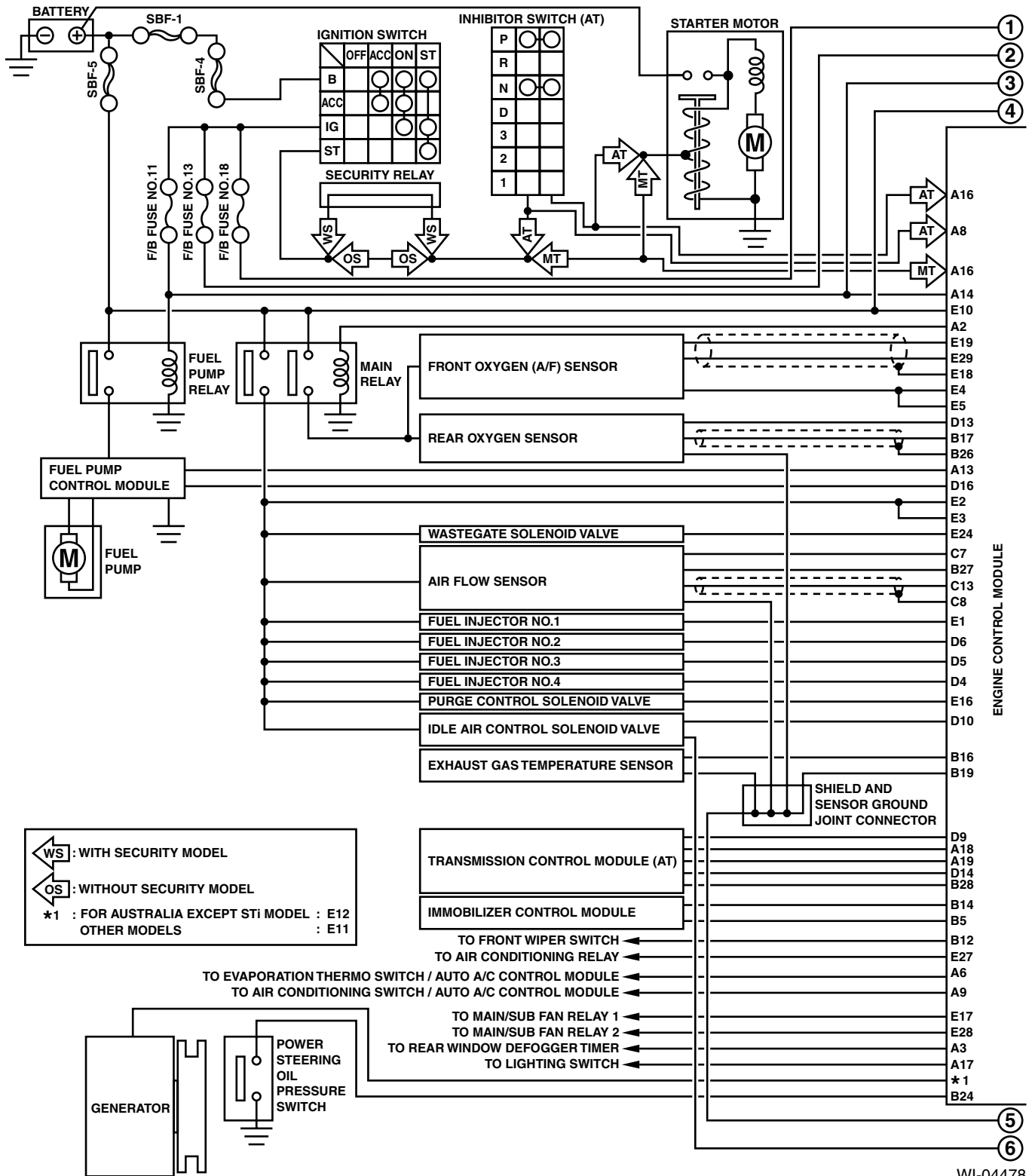




# Engine Electrical System

WIRING SYSTEM

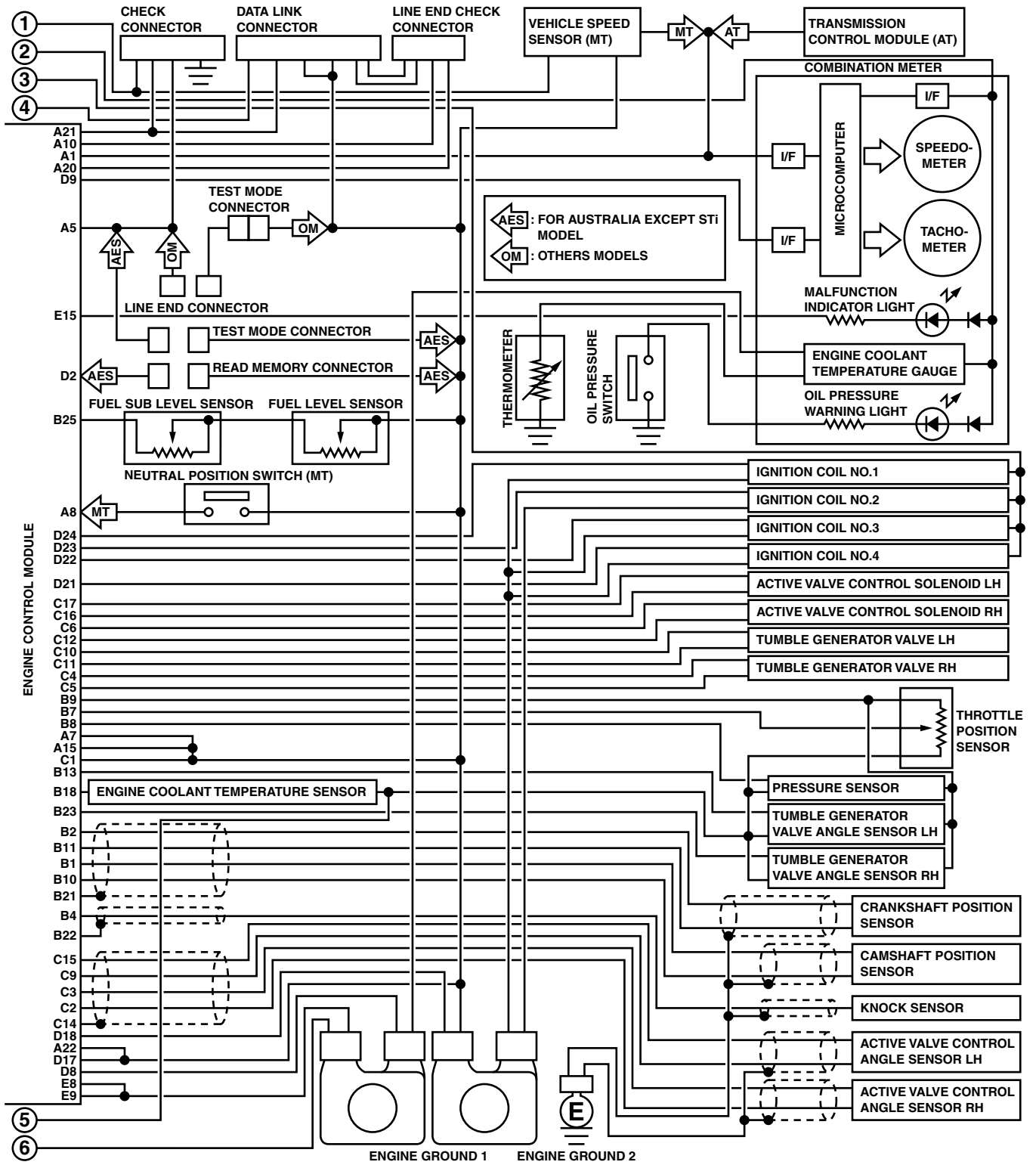
## 6. RHD DOHC TURBO MODEL



WI-04478

# Engine Electrical System

WIRING SYSTEM



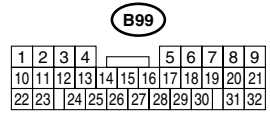
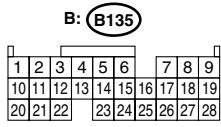
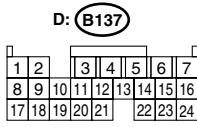
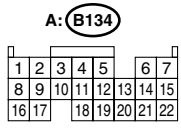
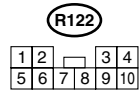
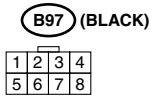
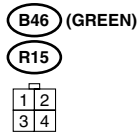
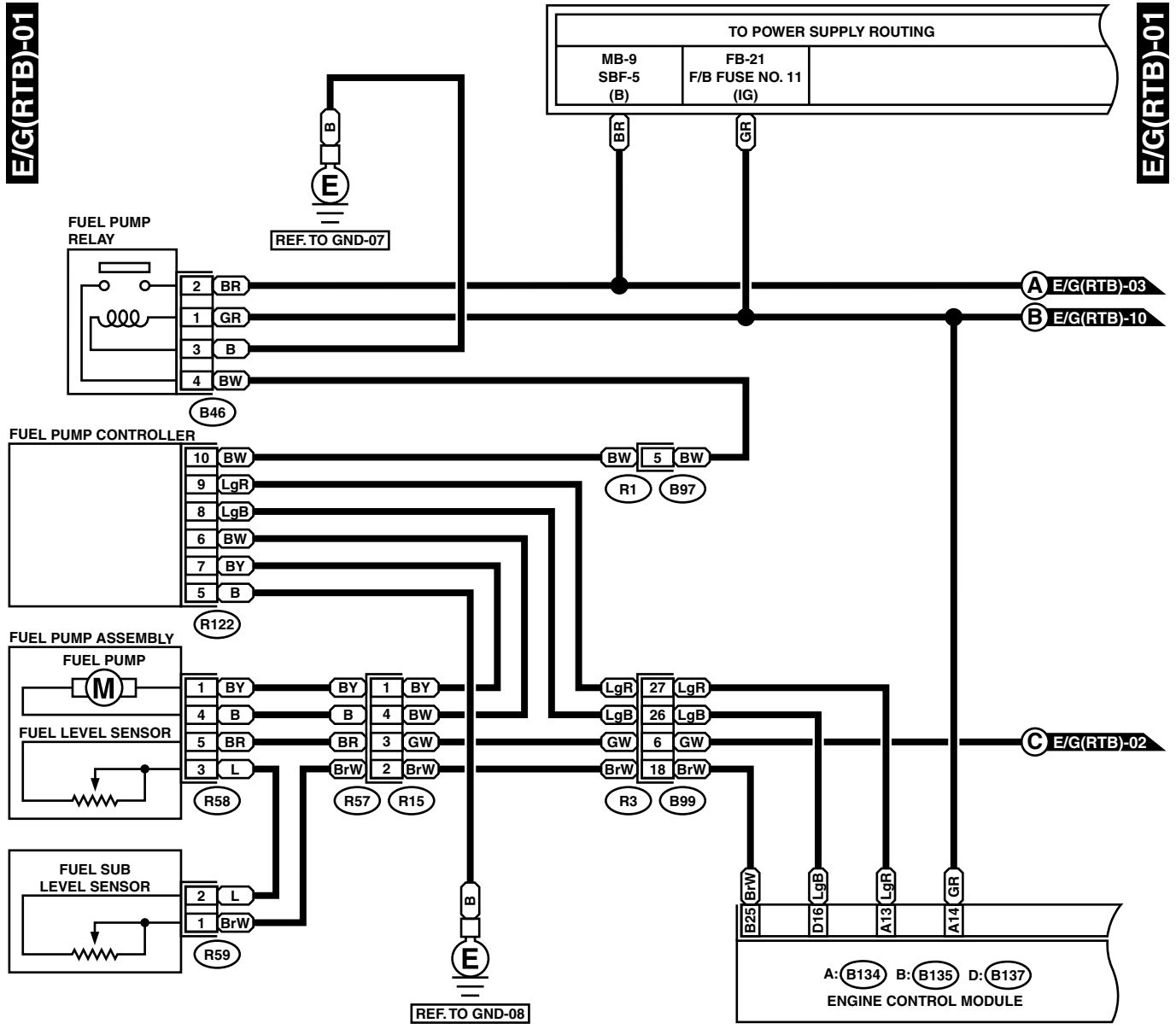
WI-02570

# Engine Electrical System

WIRING SYSTEM

**E/G(RTB)-01**

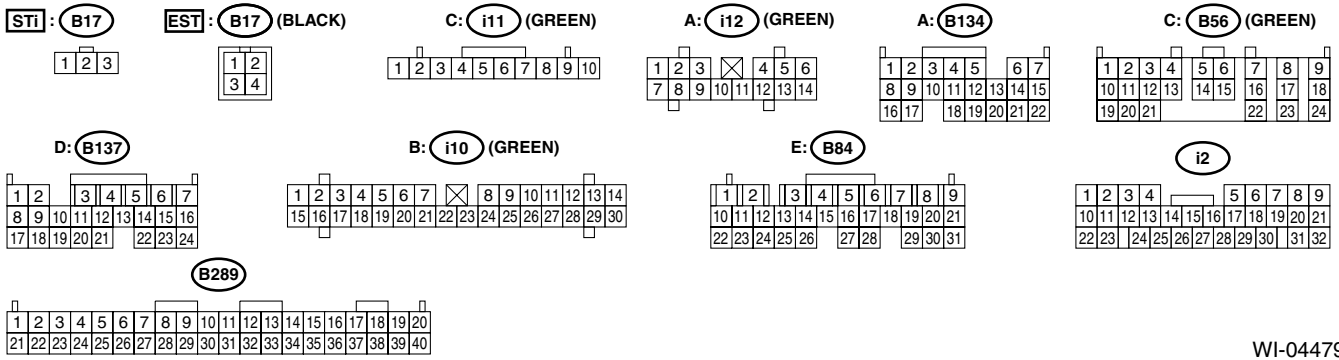
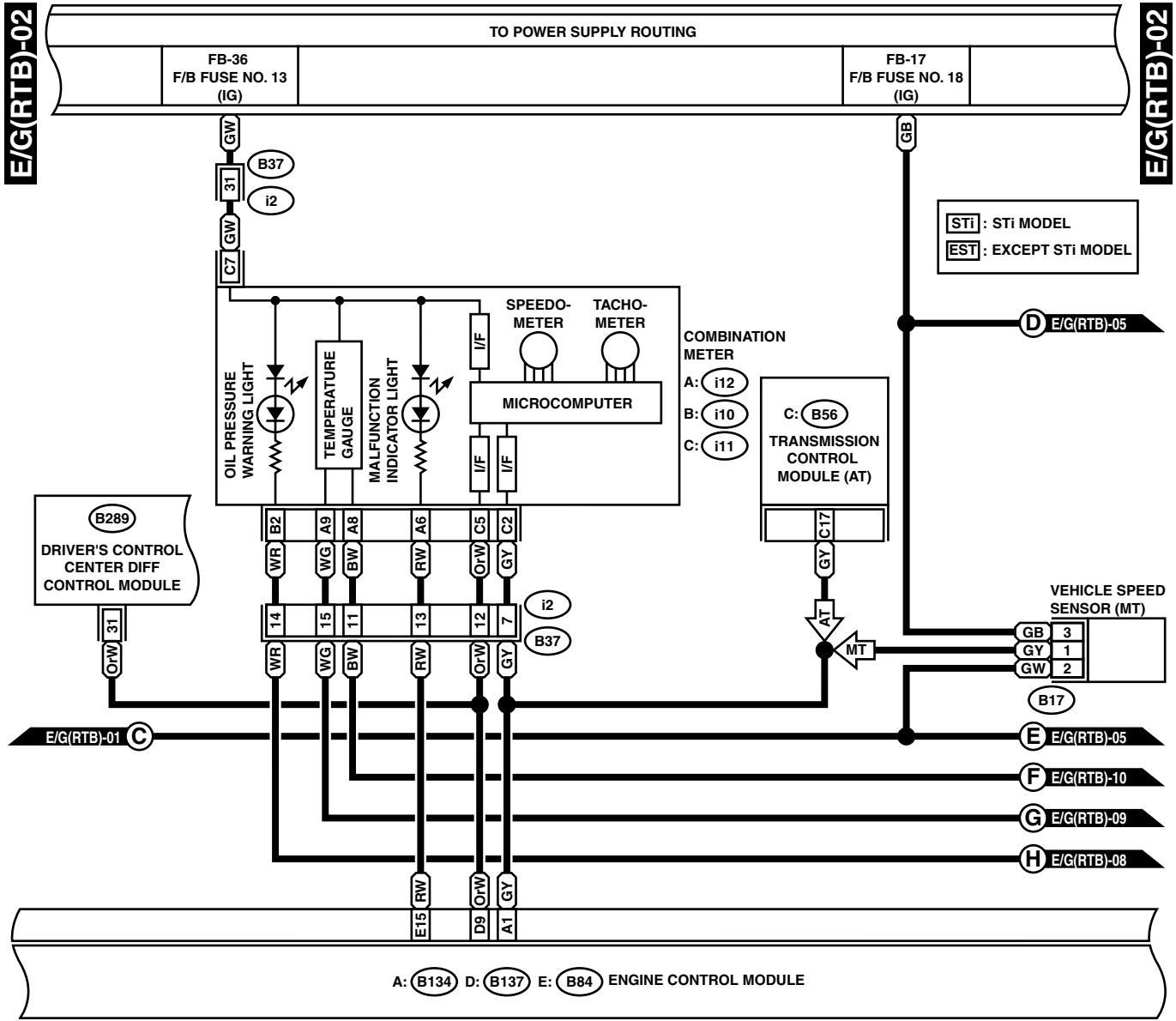
**E/G(RTB)-01**



WI-04556

# Engine Electrical System

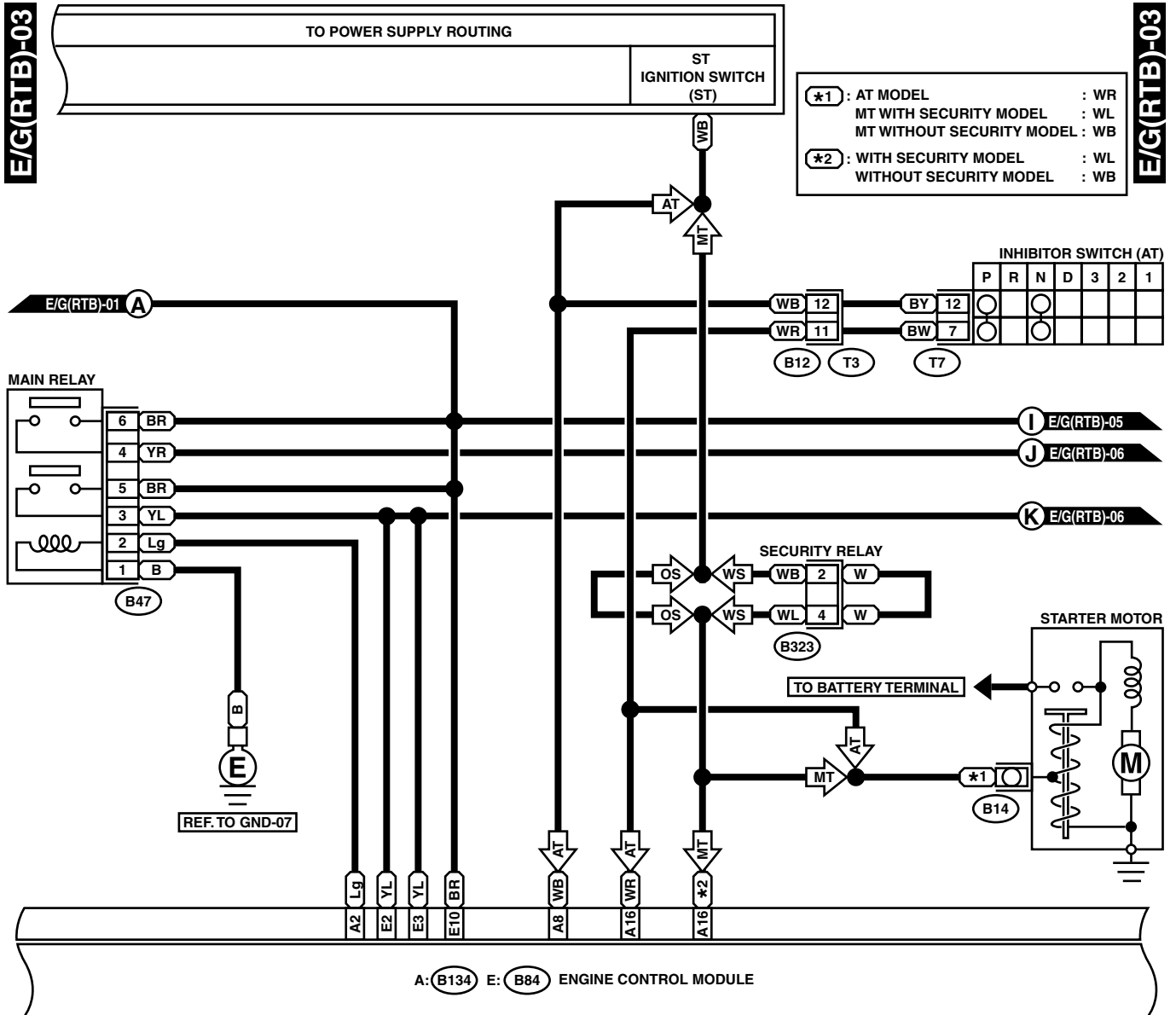
WIRING SYSTEM



WI-04479

# Engine Electrical System

WIRING SYSTEM



(B323) (BLUE)

1	2
3	4

(B47) (BROWN)

1	2
3	4
5	6

(B12)

1	2	3	4
5	6	7	8
9	10	11	12

(T7)

1	2	3	4	5	6
7	8	9	10	11	12

A: (B134)

1	2	3	4	5	6	7	
8	9	10	11	12	13	14	15
16	17	18	19	20	21	22	

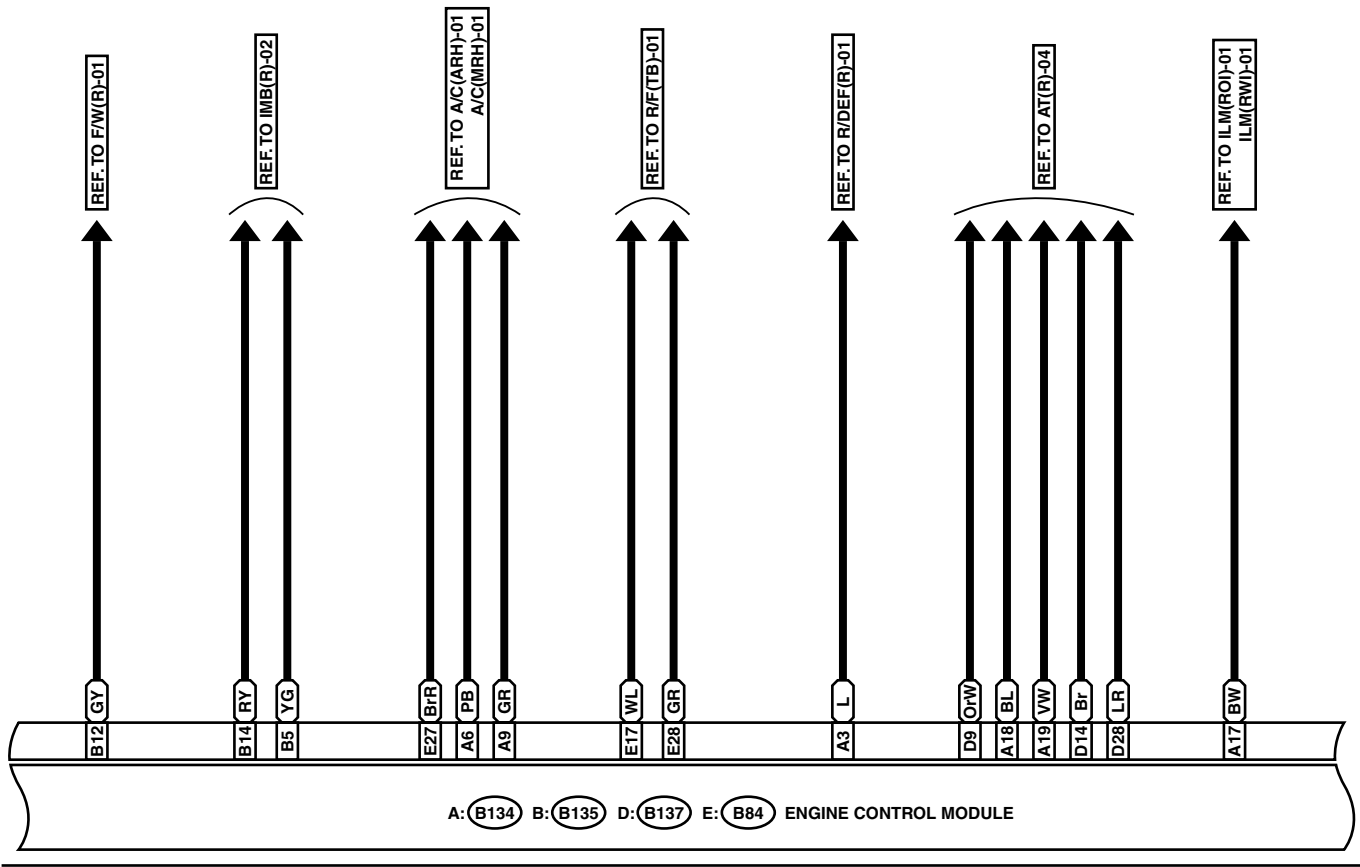
E: (B84)

1	2	3	4	5	6	7	8	9			
10	11	12	13	14	15	16	17	18	19	20	21
22	23	24	25	26	27	28	29	30	31		

WI-02356

**E/G(RTB)-04**

**E/G(RTB)-04**



**A: B134**

1	2	3	4	5	6	7	
8	9	10	11	12	13	14	15
16	17	18	19	20	21	22	

**D: B137**

1	2	3	4	5	6	7		
8	9	10	11	12	13	14	15	16
17	18	19	20	21	22	23	24	

**B: B135**

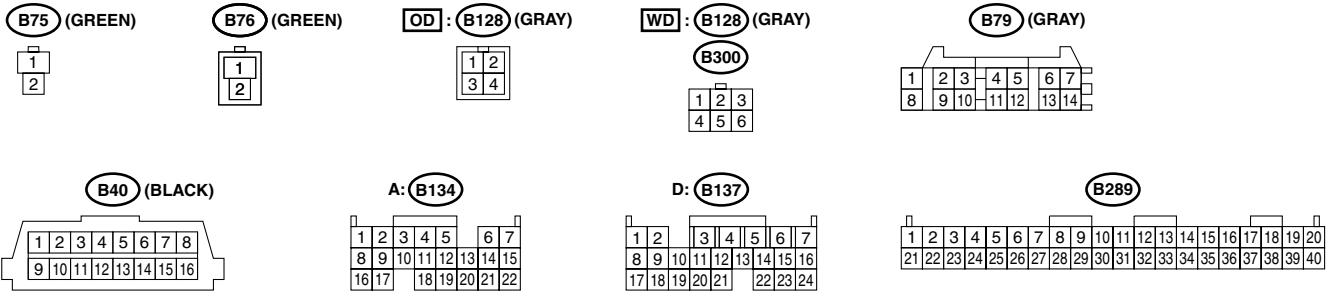
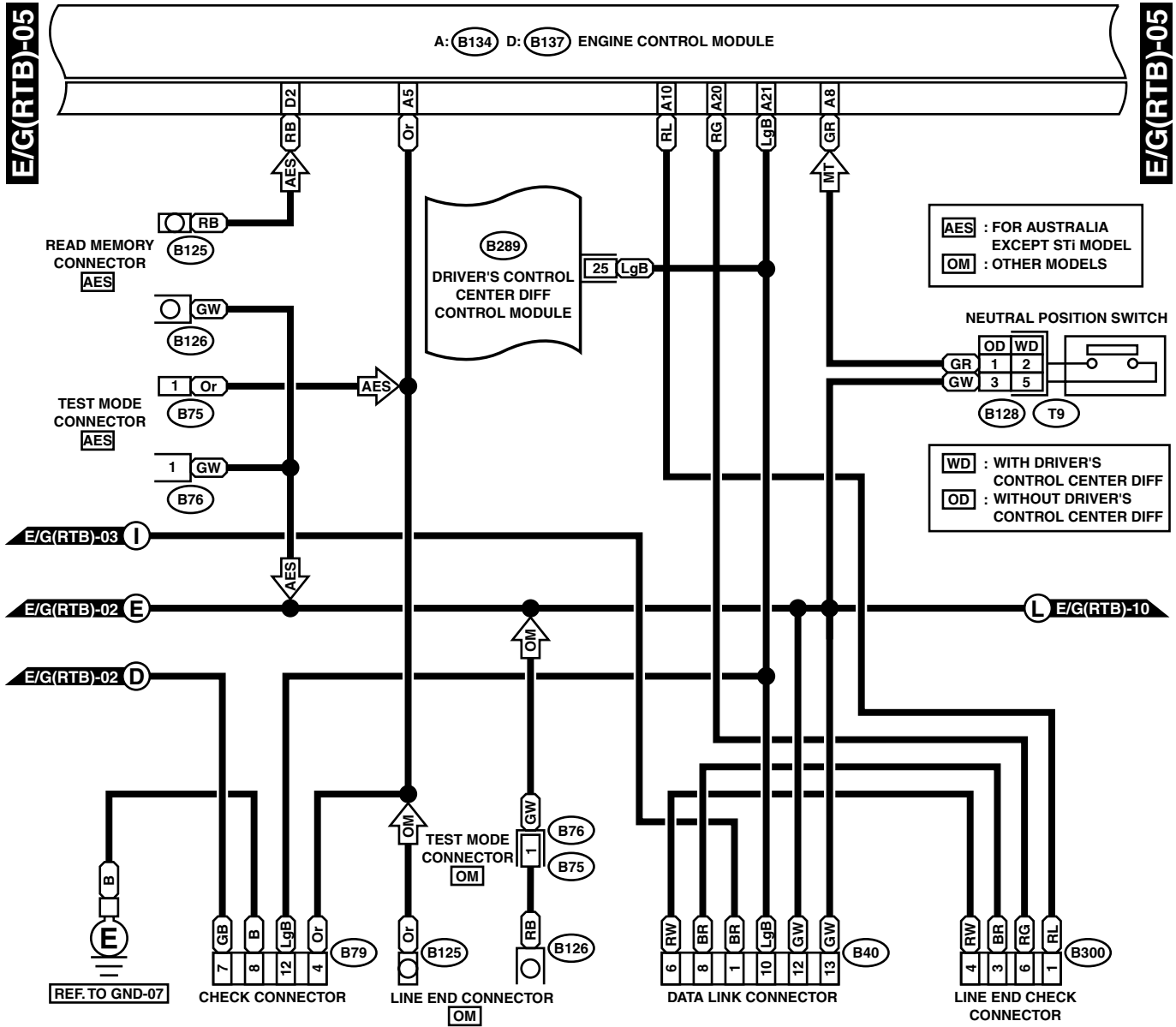
1	2	3	4	5	6	7	8	9	
10	11	12	13	14	15	16	17	18	19
20	21	22	23	24	25	26	27	28	

**E: B84**

1	2	3	4	5	6	7	8	9			
10	11	12	13	14	15	16	17	18	19	20	21
22	23	24	25	26	27	28	29	30	31		

# Engine Electrical System

WIRING SYSTEM

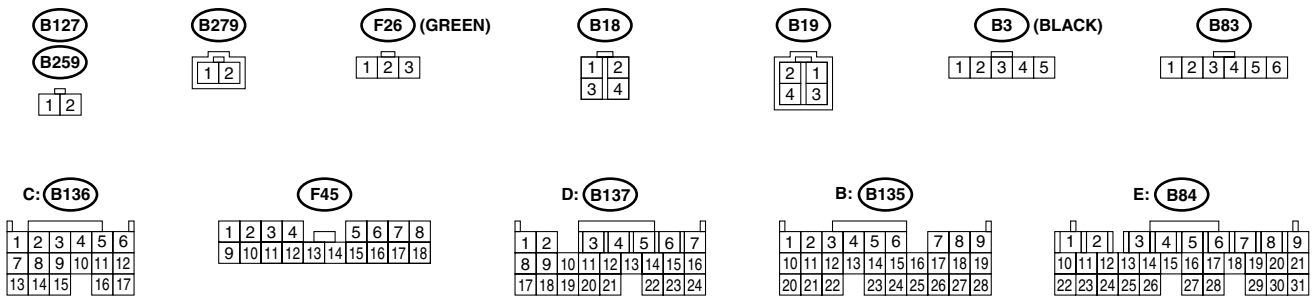
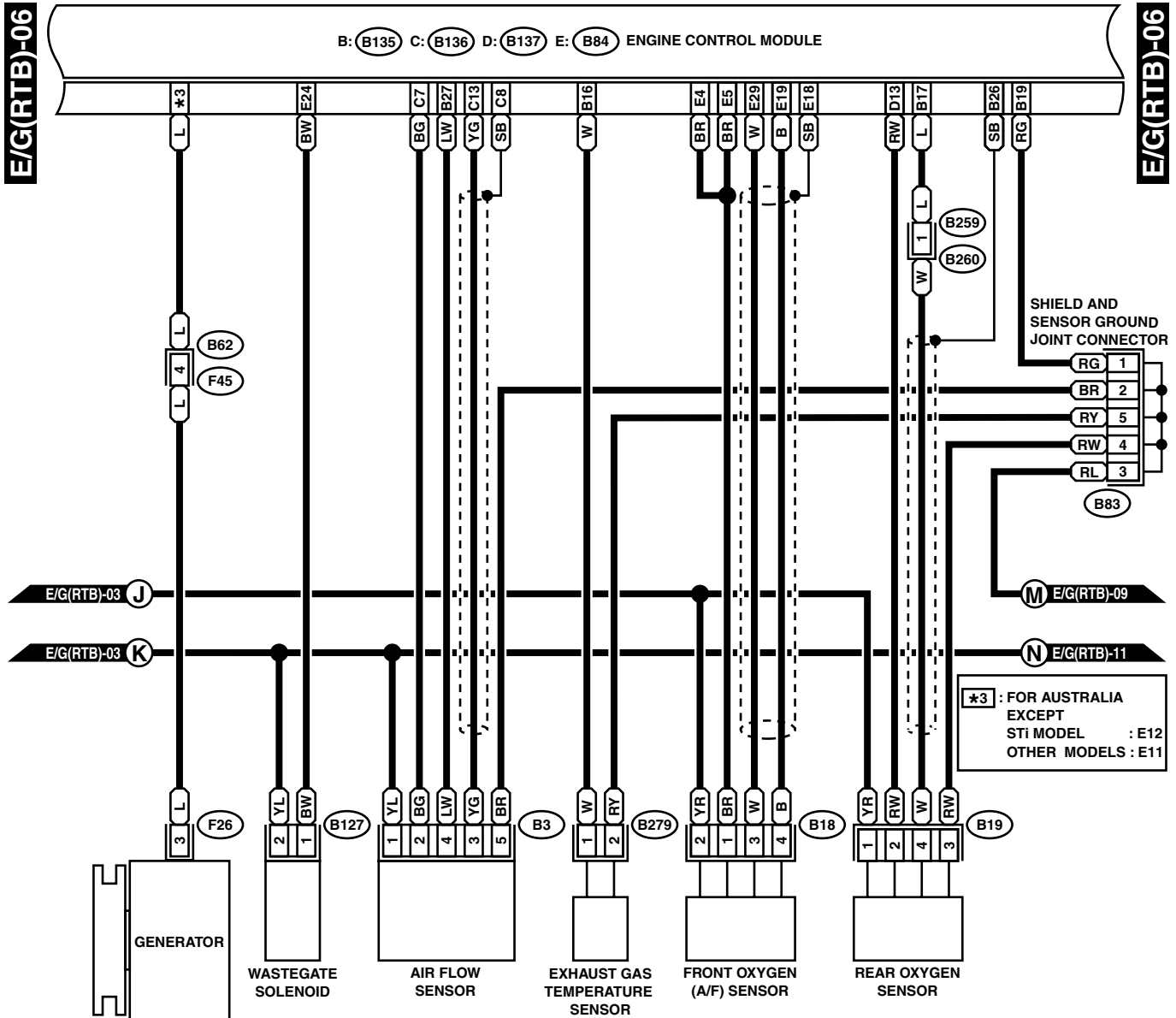


WI-04481



# Engine Electrical System

WIRING SYSTEM



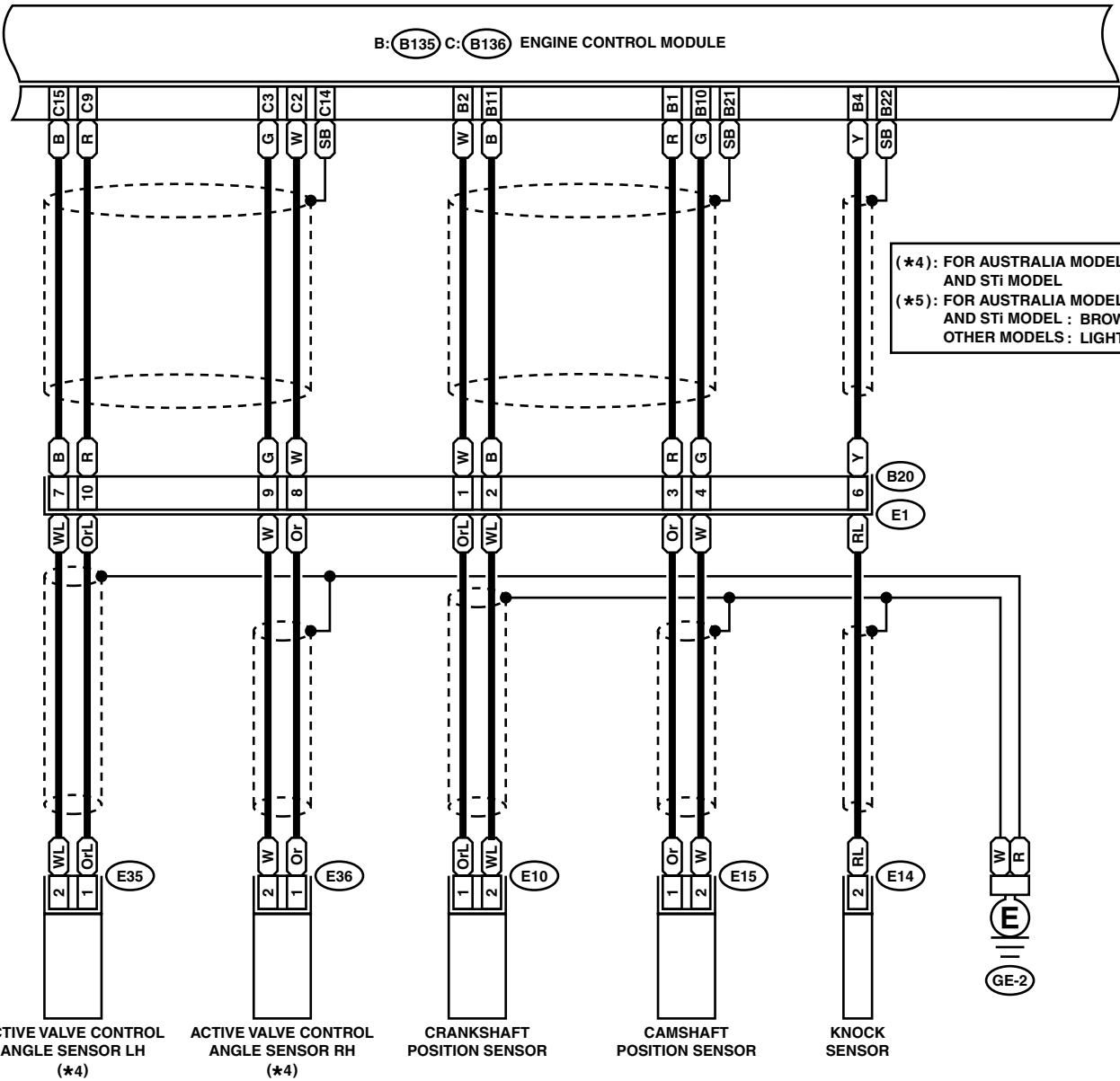
WI-04557

# Engine Electrical System

WIRING SYSTEM

E/G(RTB)-07

E/G(RTB)-07



- E10 (LIGHT GRAY)
- E14 (\*5)
- E15 (LIGHT GRAY)
- E35
- E36
- 1 2

B20 (LIGHT GRAY)

1	2	3	4
5	6	7	
8	9	10	

C: B136

1	2	3	4	5	6
7	8	9	10	11	12
13	14	15	16	17	

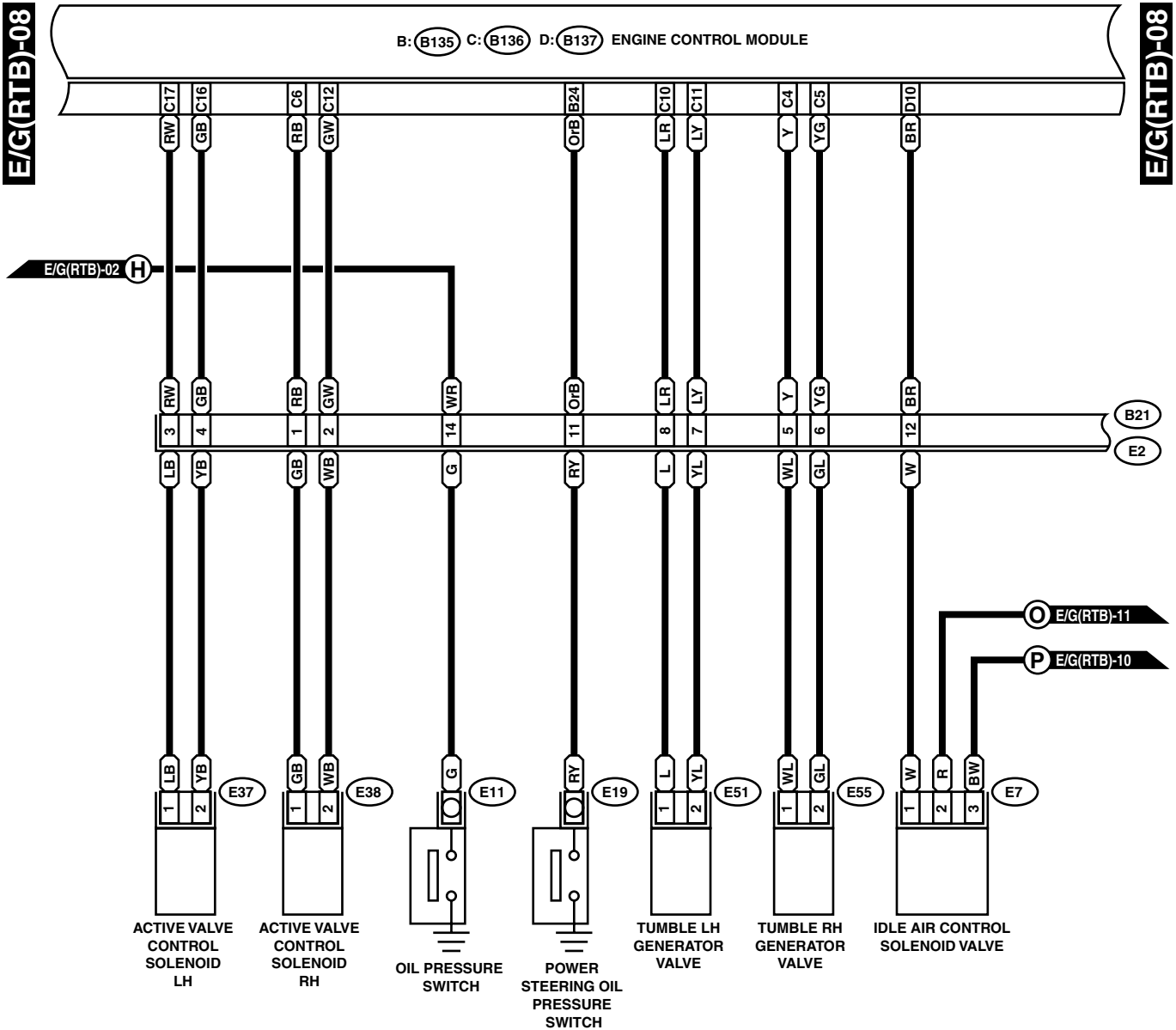
B: B135

1	2	3	4	5	6	7	8	9	
10	11	12	13	14	15	16	17	18	19
20	21	22	23	24	25	26	27	28	

WI-02360

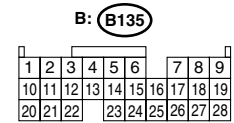
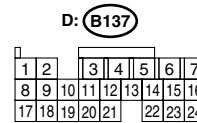
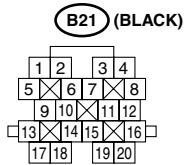
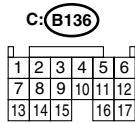
# Engine Electrical System

WIRING SYSTEM



- E37 (BLUE)**
- E38 (BLUE)**
- E51 (BLACK)**
- E55 (BLACK)**

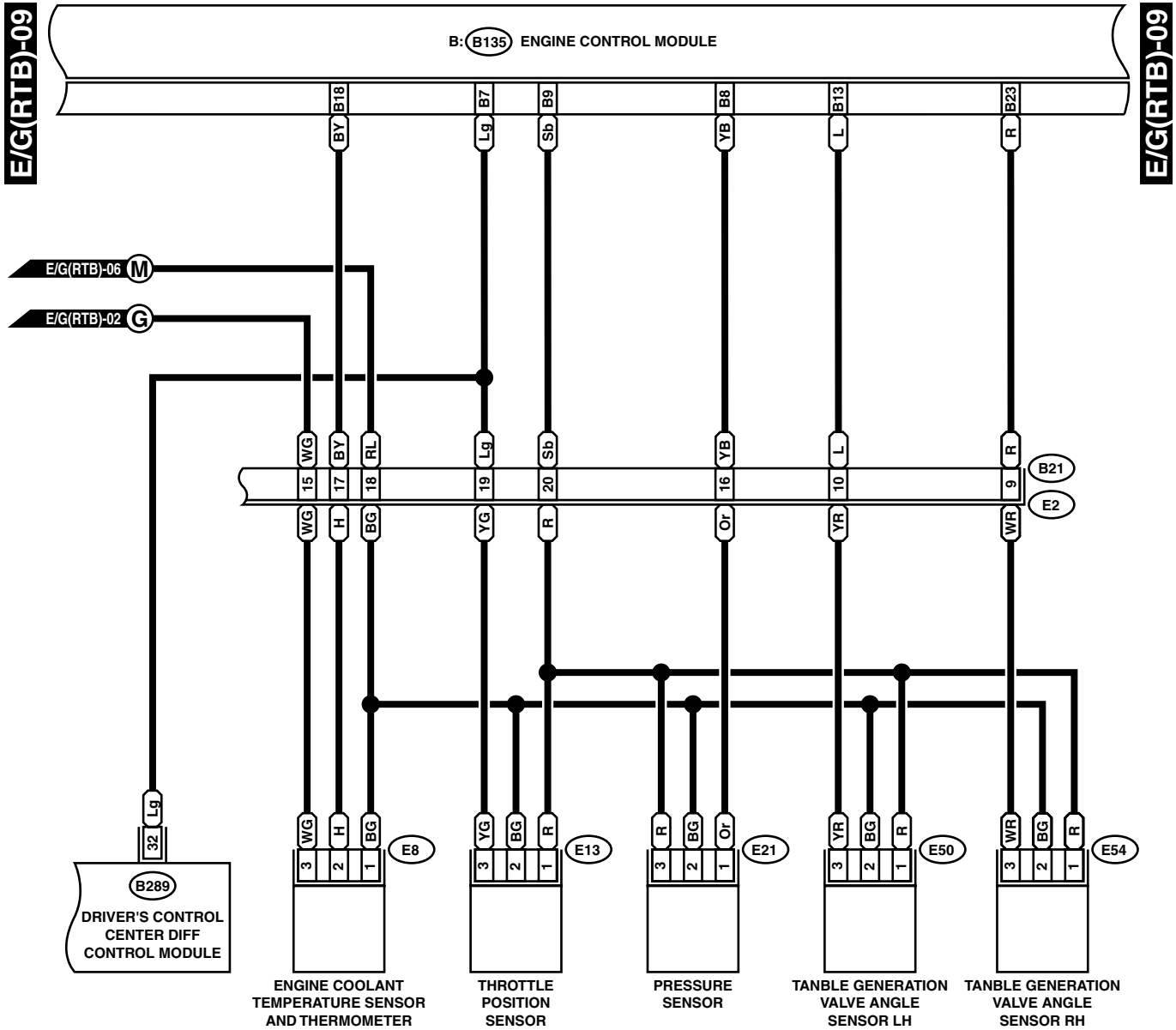
- E7 (LIGHT RAY)**



WI-02361

# Engine Electrical System

WIRING SYSTEM



**E8 (LIGHT GRAY)**



**E13 (BLACK)**

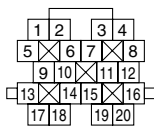


**E21 (BLACK)**

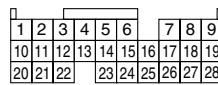
**E50 (BLACK)**

**E54 (BLACK)**

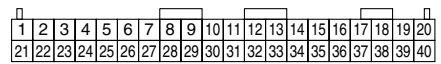
**B21 (BLACK)**



**B: (B135)**



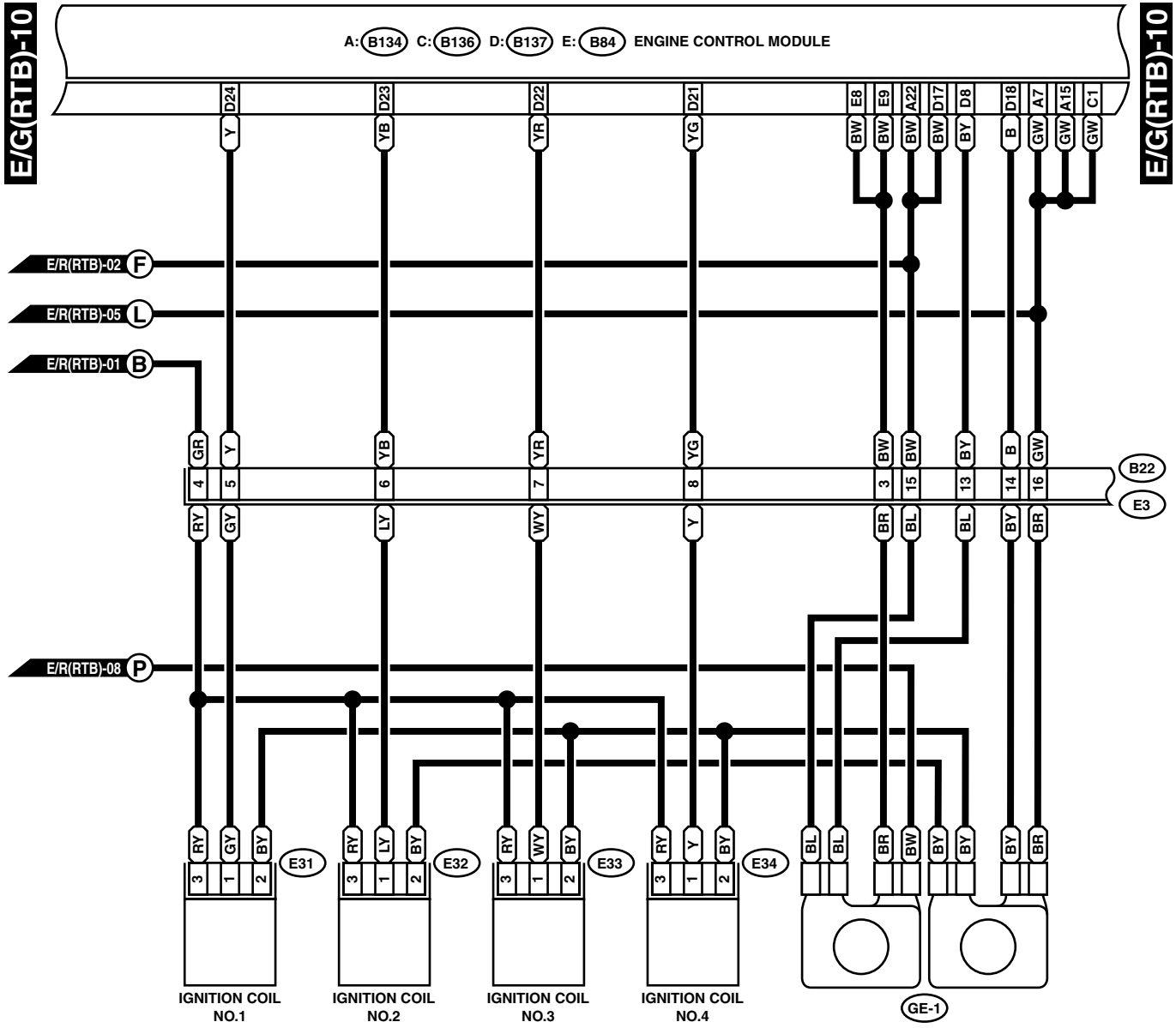
**B289**



WI-04482

# Engine Electrical System

WIRING SYSTEM



E31

E32

E33 (BLACK)

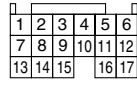
E34 (BLACK)



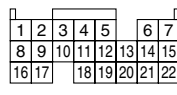
B22 (BROWN)



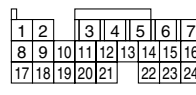
C: B136



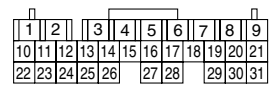
A: B134



D: B137



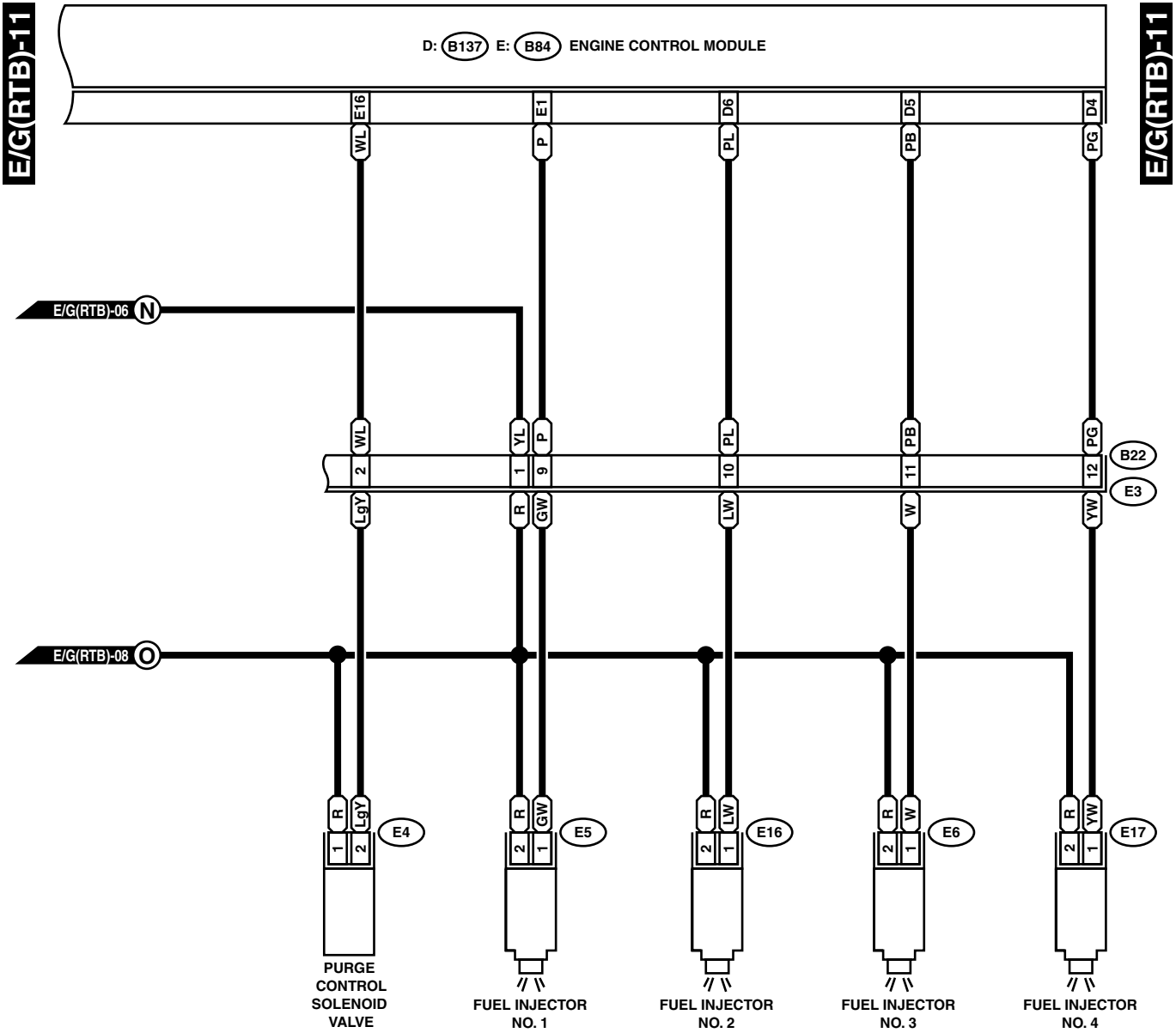
E: B84



WI-02363

# Engine Electrical System

WIRING SYSTEM



E4 (BLACK)



E5 (DARK GRAY)

E6 (DARK GRAY)

E16 (DARK GRAY)

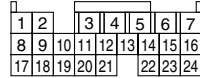
E17 (DARK GRAY)



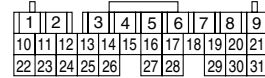
B22 (BROWN)



D: B137



E: B84

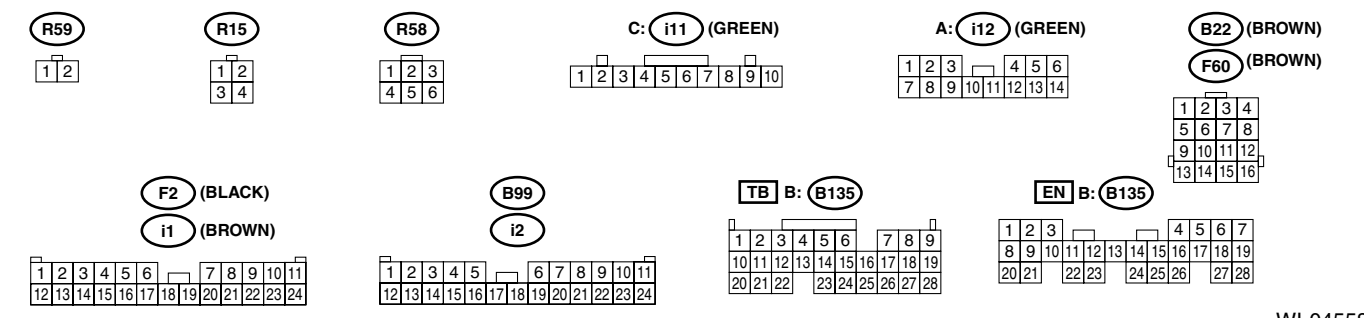
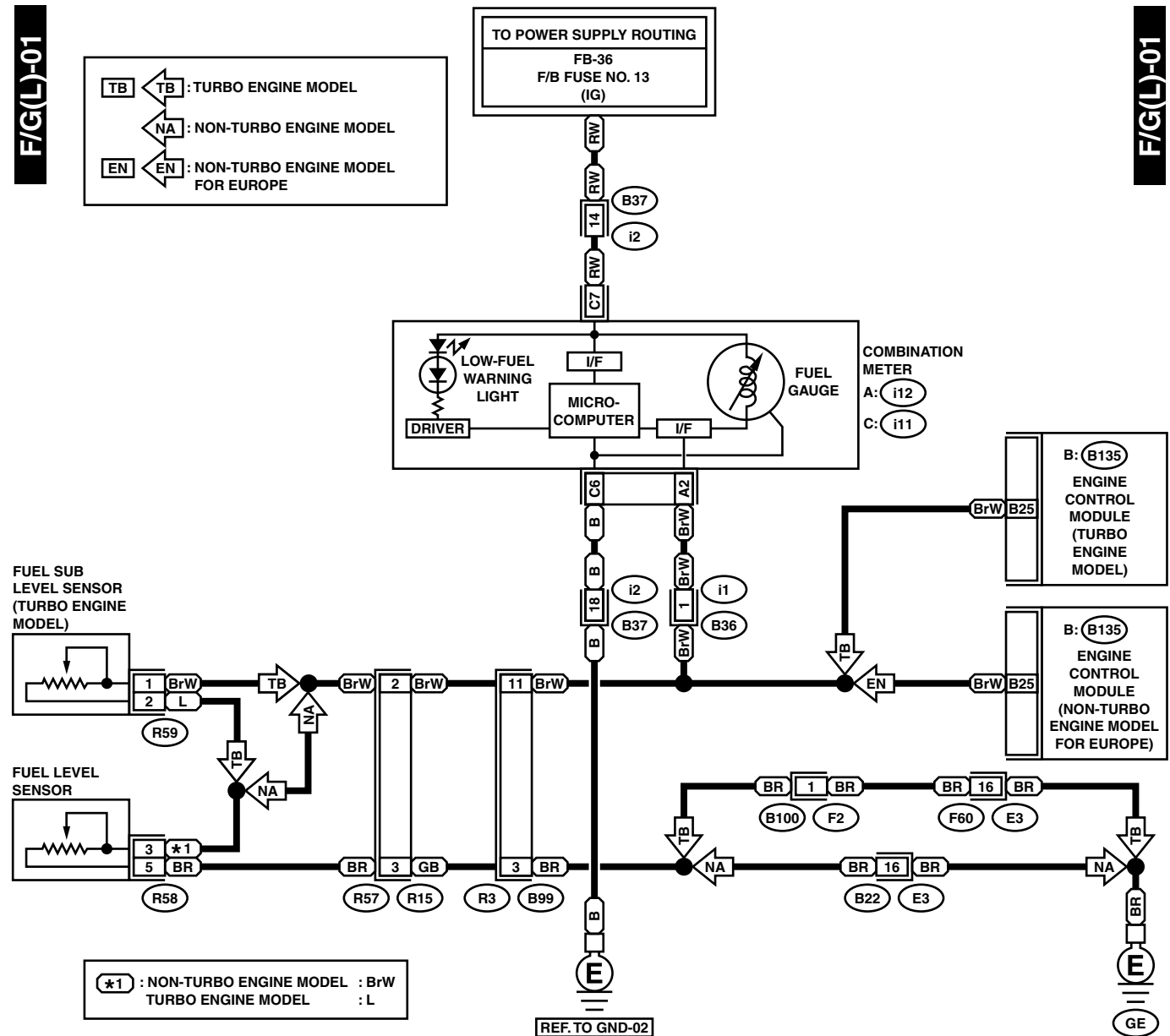


WI-02364

## 15. Fuel Gauge System

### A: WIRING DIAGRAM

#### 1. LHD MODEL



WI-04558

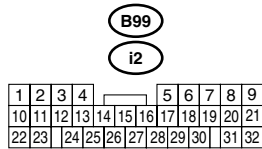
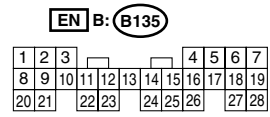
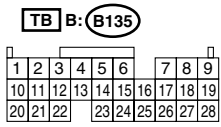
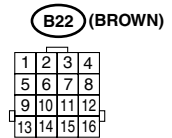
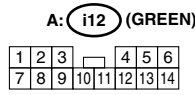
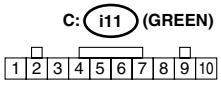
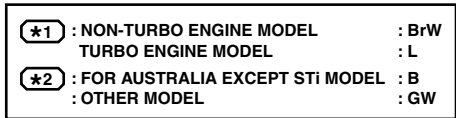
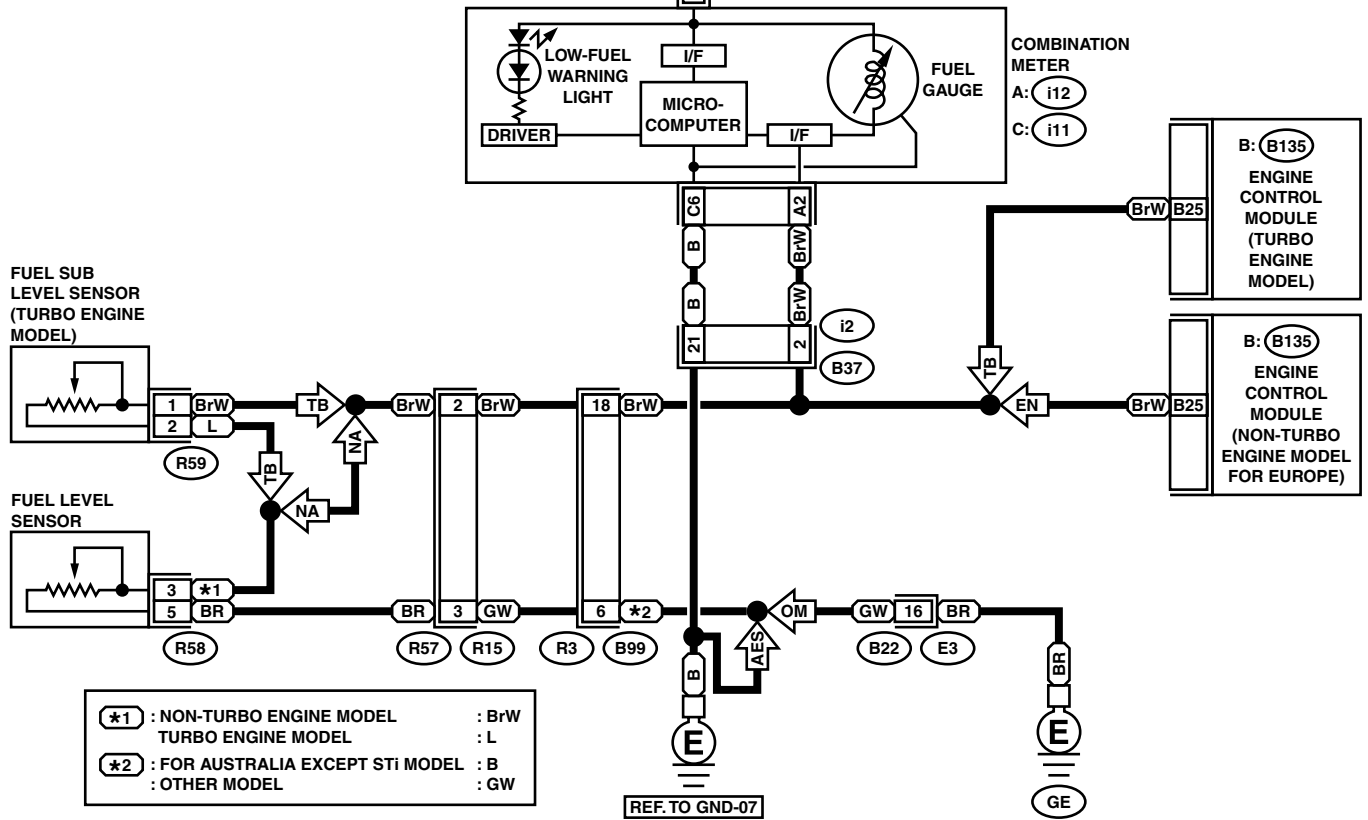
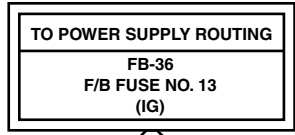
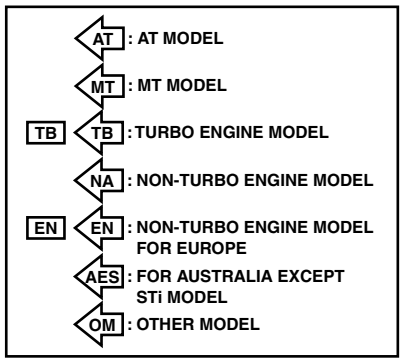
# Fuel Gauge System

## WIRING SYSTEM

### 2. RHD MODEL

F/G(R)-01

F/G(R)-01



WI-04559



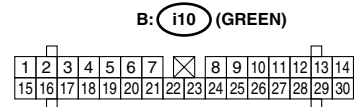
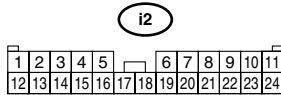
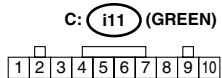
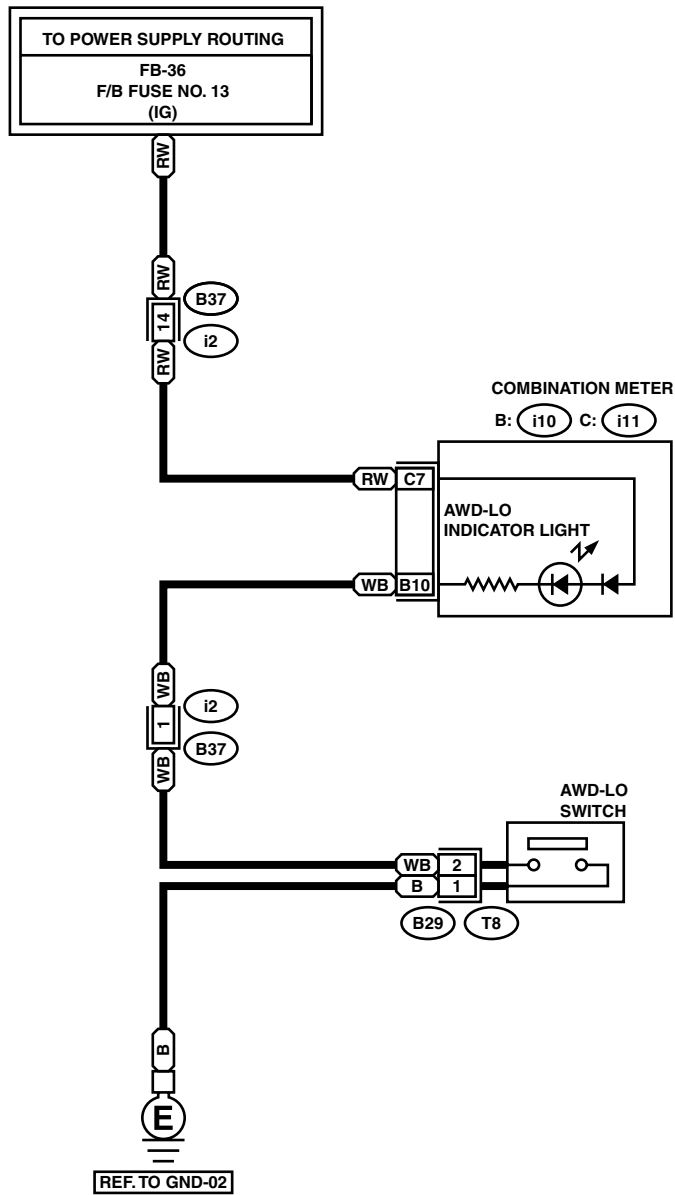
## 16. Full-Time Dual-Range System

### A: WIRING DIAGRAM

#### 1. LHD MODEL

D/R(L)-01

D/R(L)-01



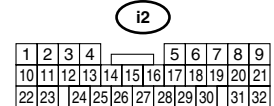
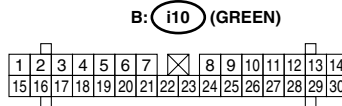
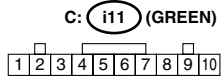
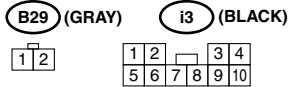
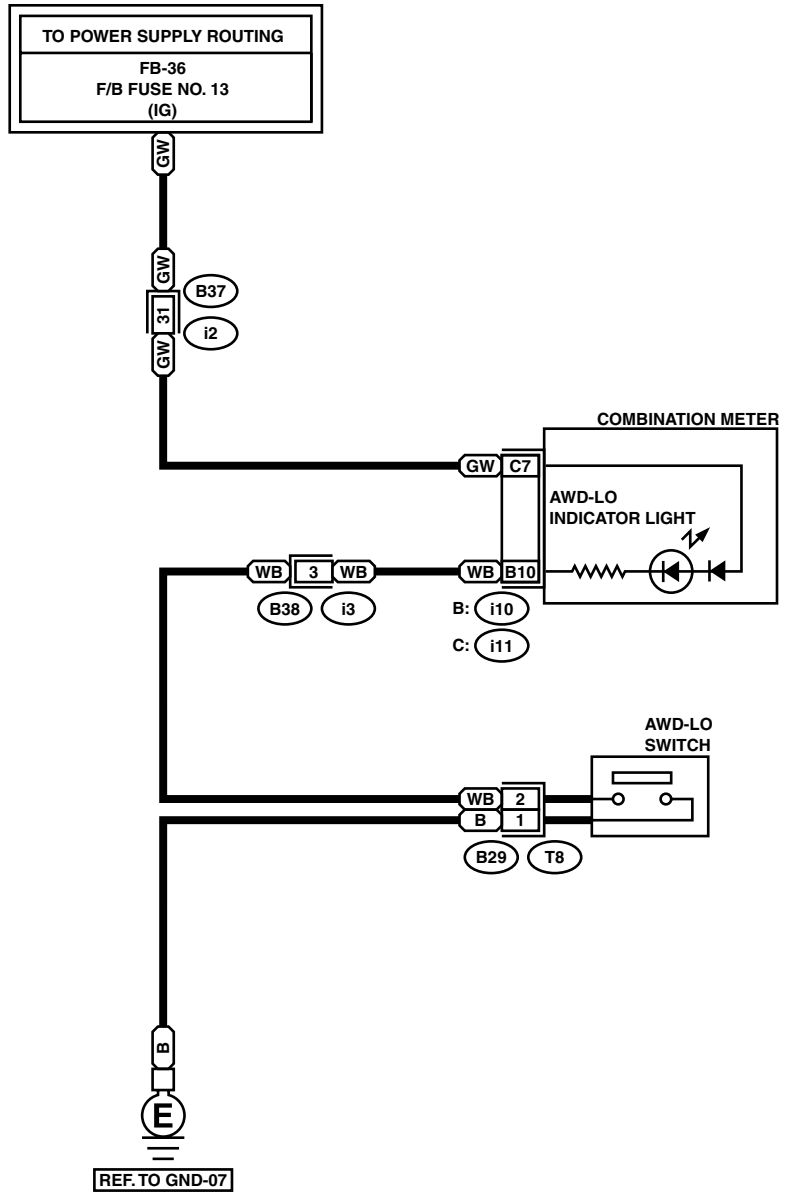
# Full-Time Dual-Range System

WIRING SYSTEM

## 2. RHD MODEL

D/R(R)-01

D/R(R)-01



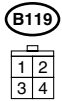
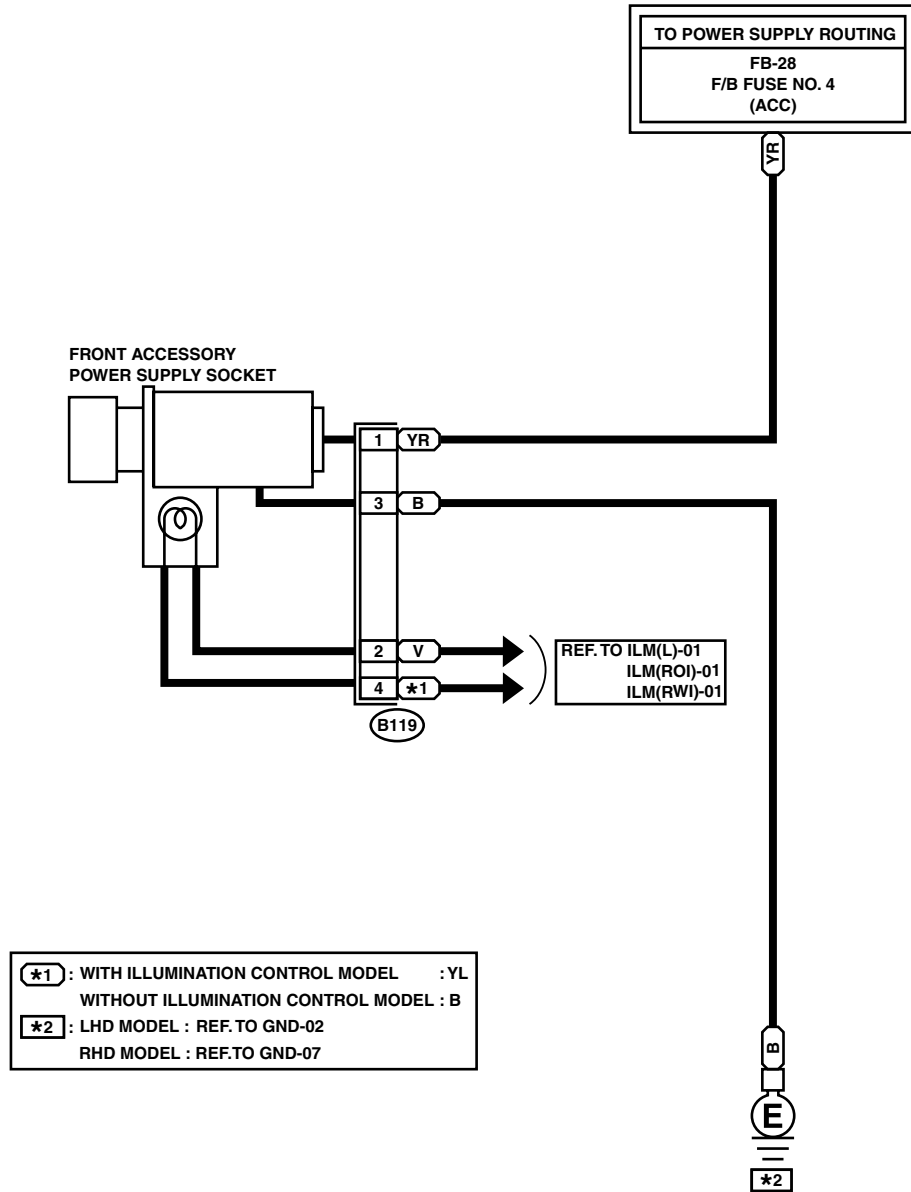
WI-02368

## 17. Front Accessory Power Supply System

### A: WIRING DIAGRAM

FAPS-01

FAPS-01

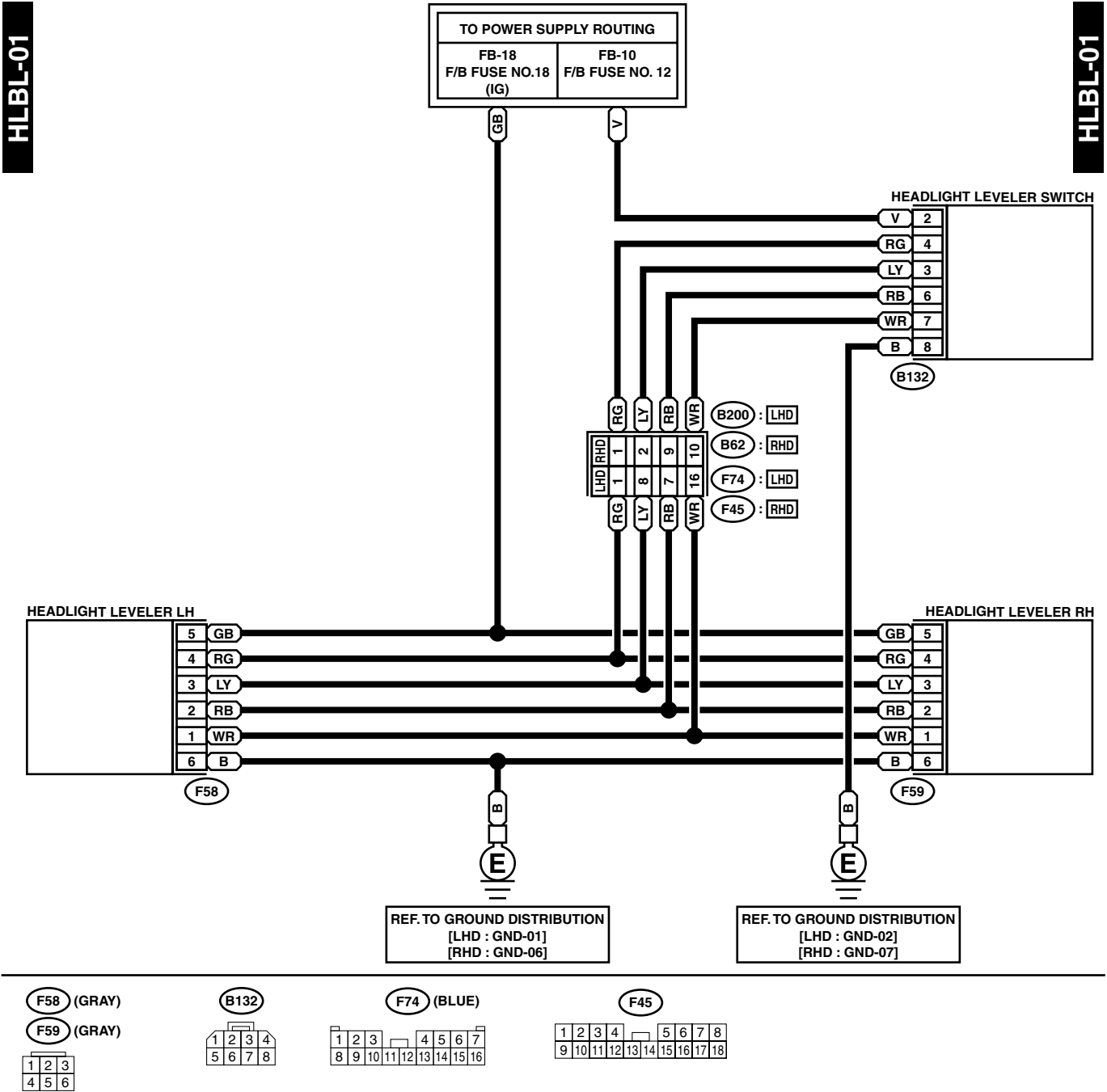


# Headlight Beam Leveler System

WIRING SYSTEM

## 18.Headlight Beam Leveler System

### A: WIRING DIAGRAM



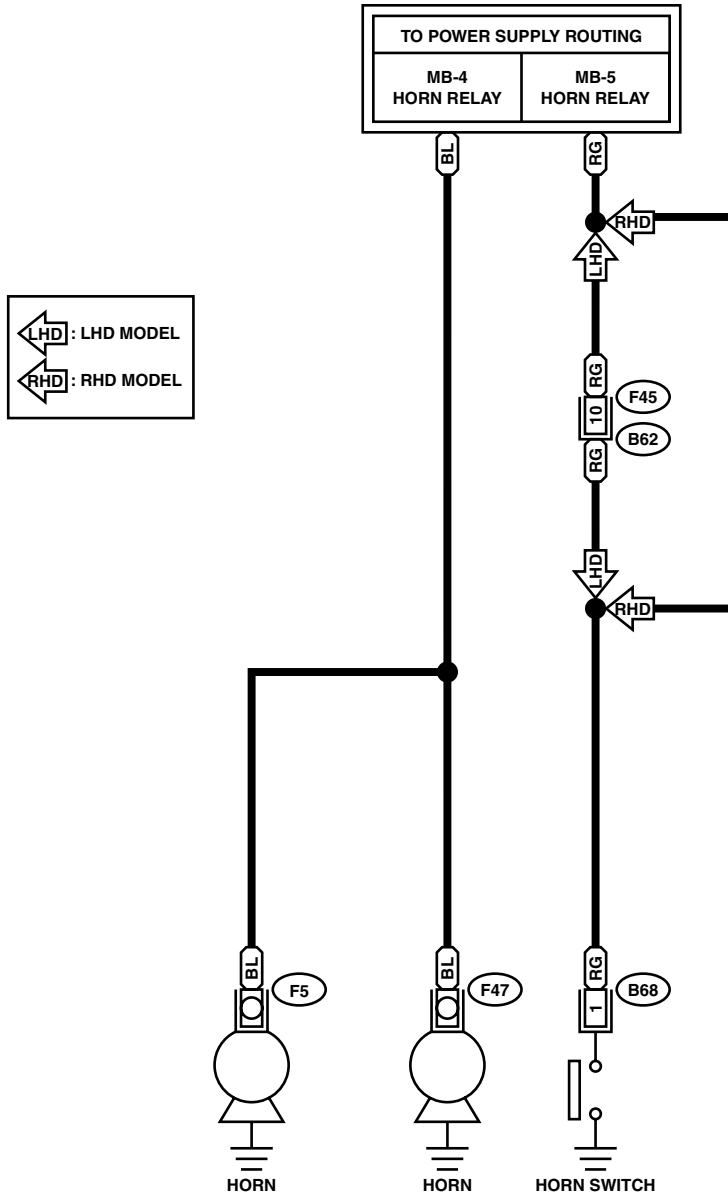
WI-02369

## 19.Horn System

### A: WIRING DIAGRAM

HORN-01

HORN-01



**B68 (BLACK)**

**F45**

1	2
3	4

1	2	3	4	5	6	7	8	9	10	11		
12	13	14	15	16	17	18	19	20	21	22	23	24

# Immobilizer System

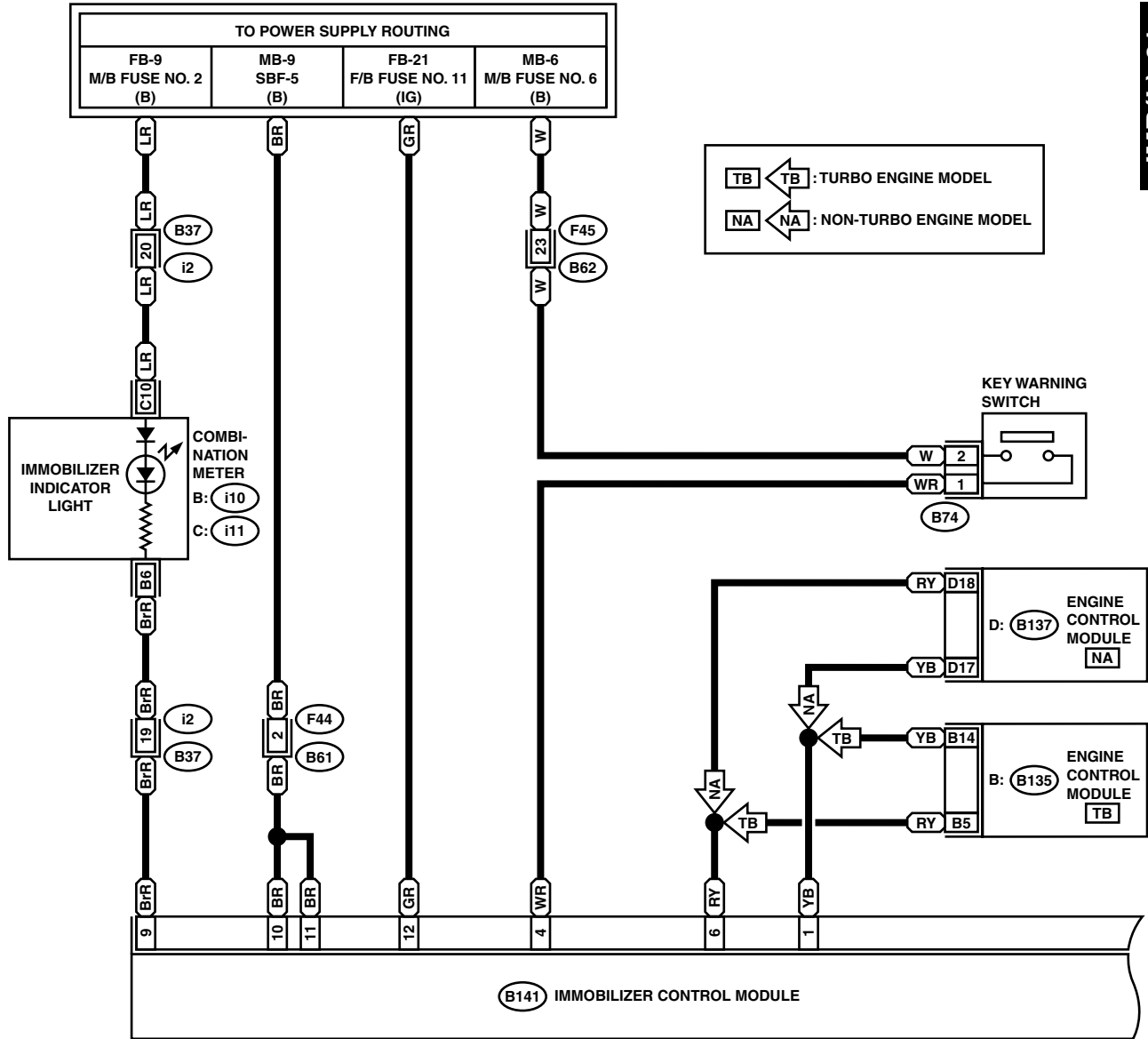
WIRING SYSTEM

## 20. Immobilizer System

### A: WIRING DIAGRAM

#### 1. LHD MODEL

IMB(L)-01



IMB(L)-01

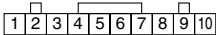
B74 (BLACK)



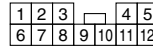
F44



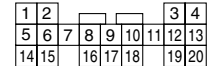
C: i11 (GREEN)



B141

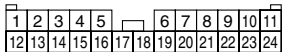


D: B137

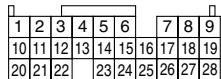


F45

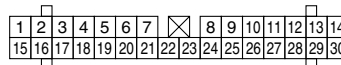
i2



B: B135



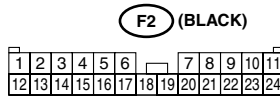
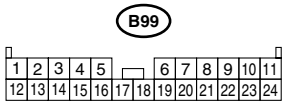
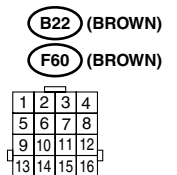
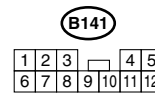
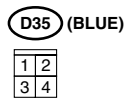
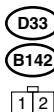
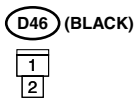
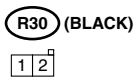
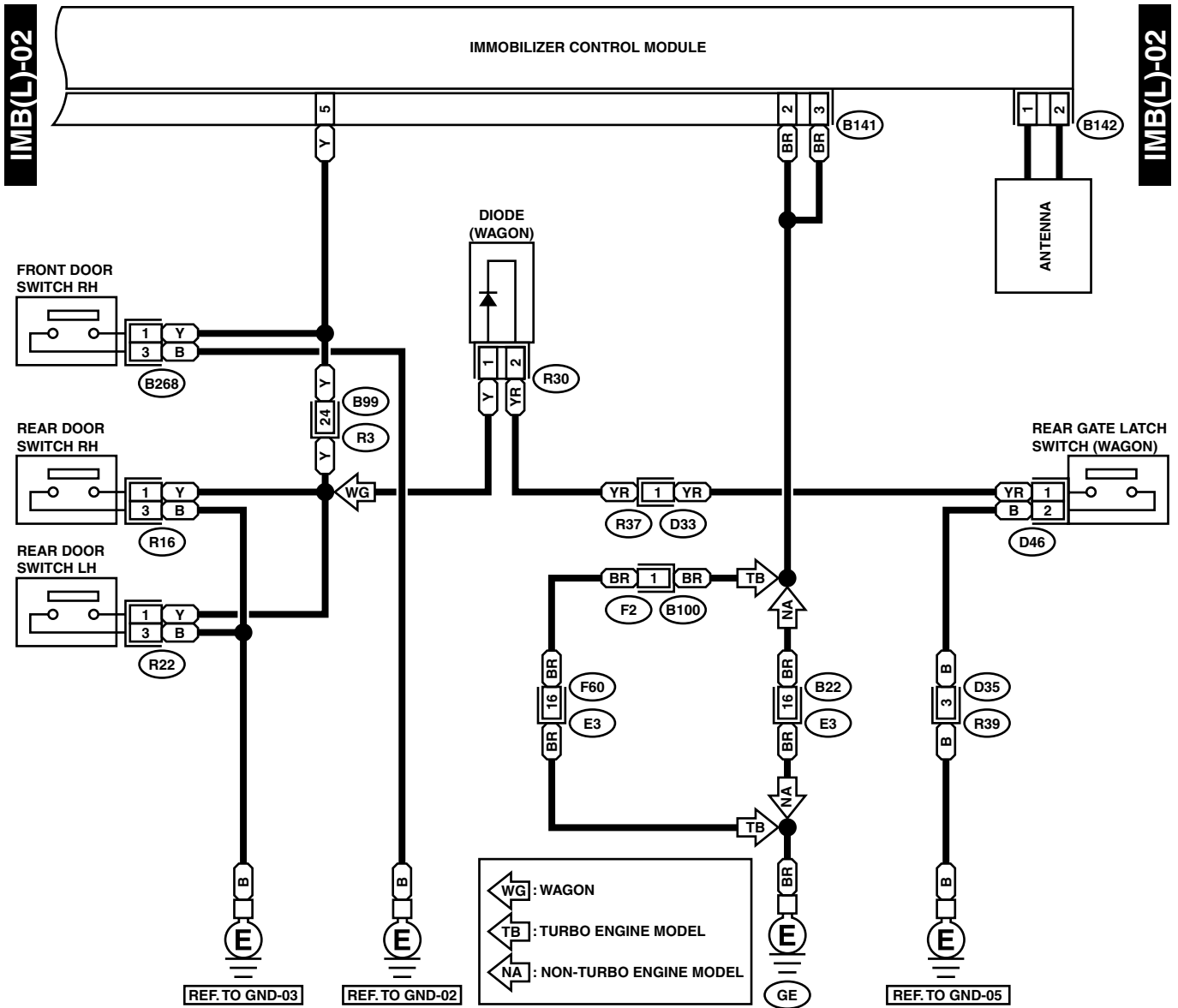
B: i10 (GREEN)



WI-02371

# Immobilizer System

WIRING SYSTEM



WI-04560

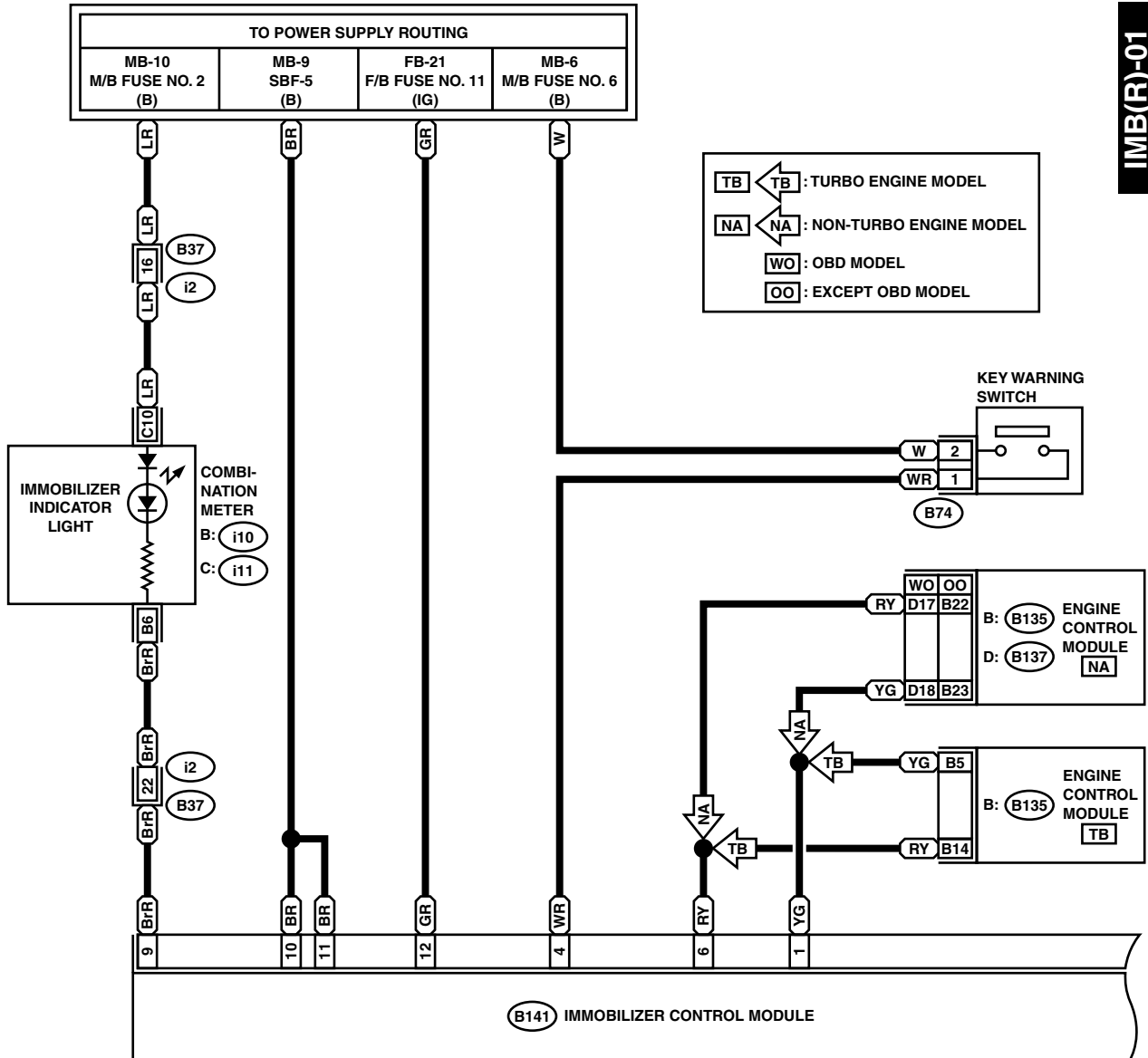
# Immobilizer System

WIRING SYSTEM

## 2. RHD MODEL

IMB(R)-01

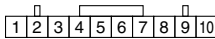
IMB(R)-01



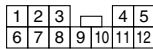
(B74) (BLACK)



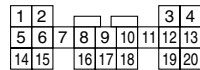
C: (i11) (GREEN)



(B141)



D: (B137)



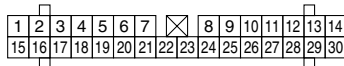
NA B: (B135)



TB B: (B135)



B: (i10) (GREEN)



(i2)

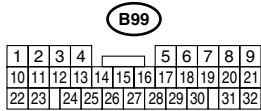
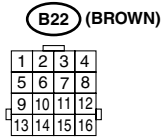
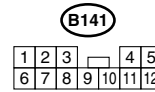
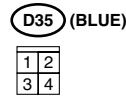
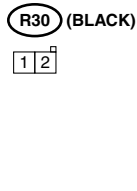
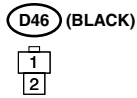
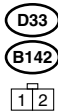
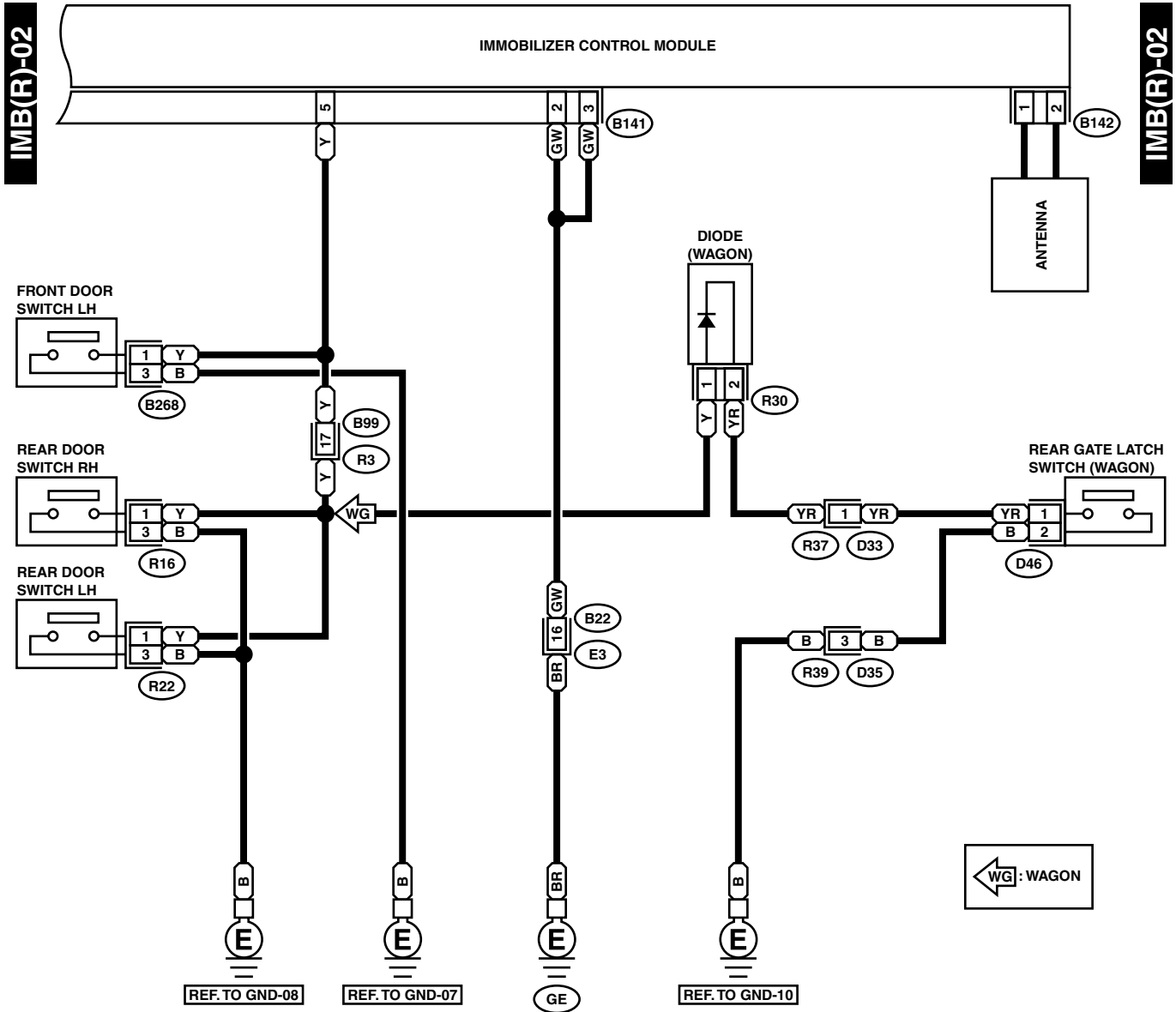


WI-04561



# Immobilizer System

WIRING SYSTEM



WI-04562

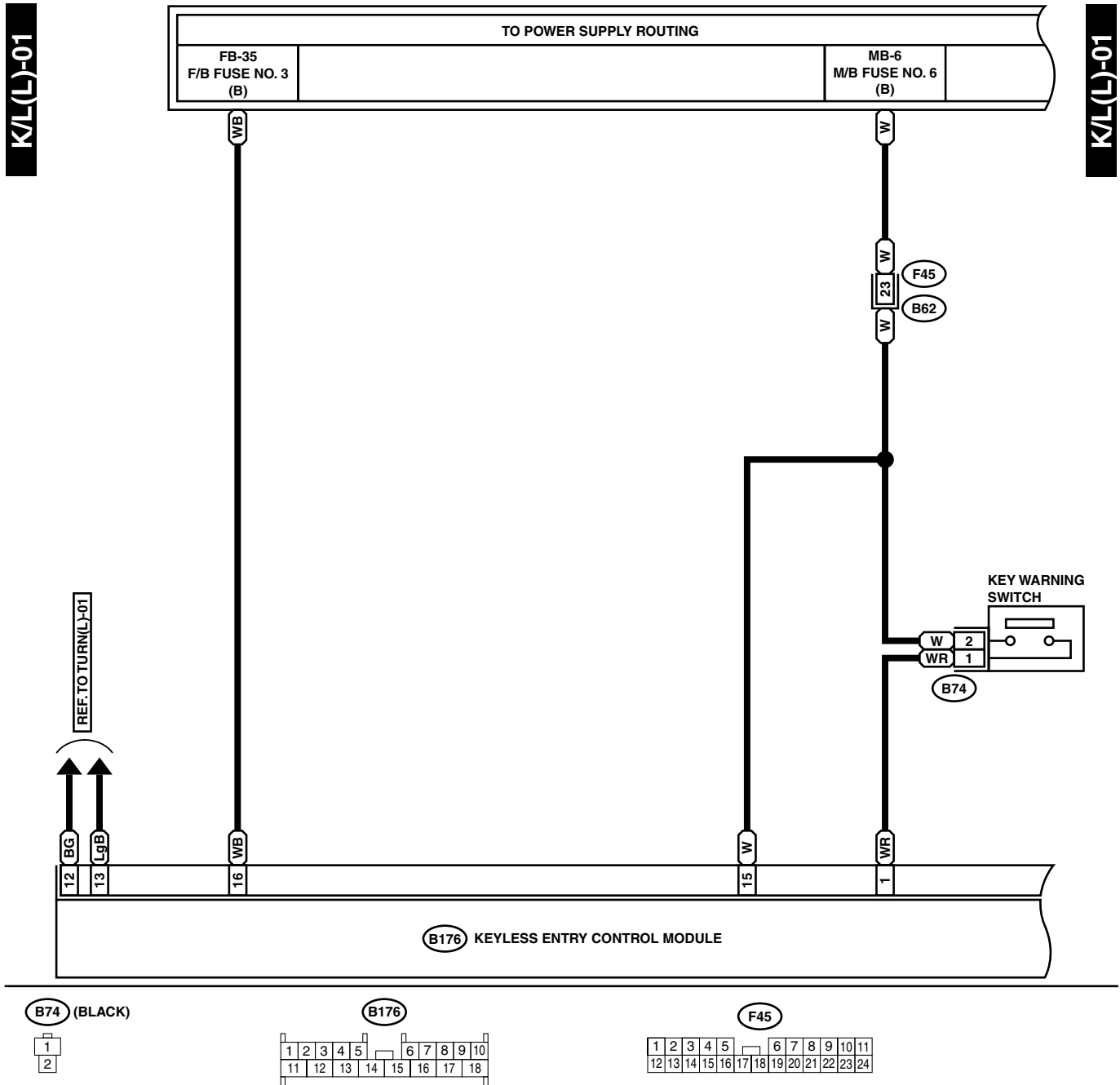
# Keyless Entry System

WIRING SYSTEM

## 21. Keyless Entry System

### A: WIRING DIAGRAM

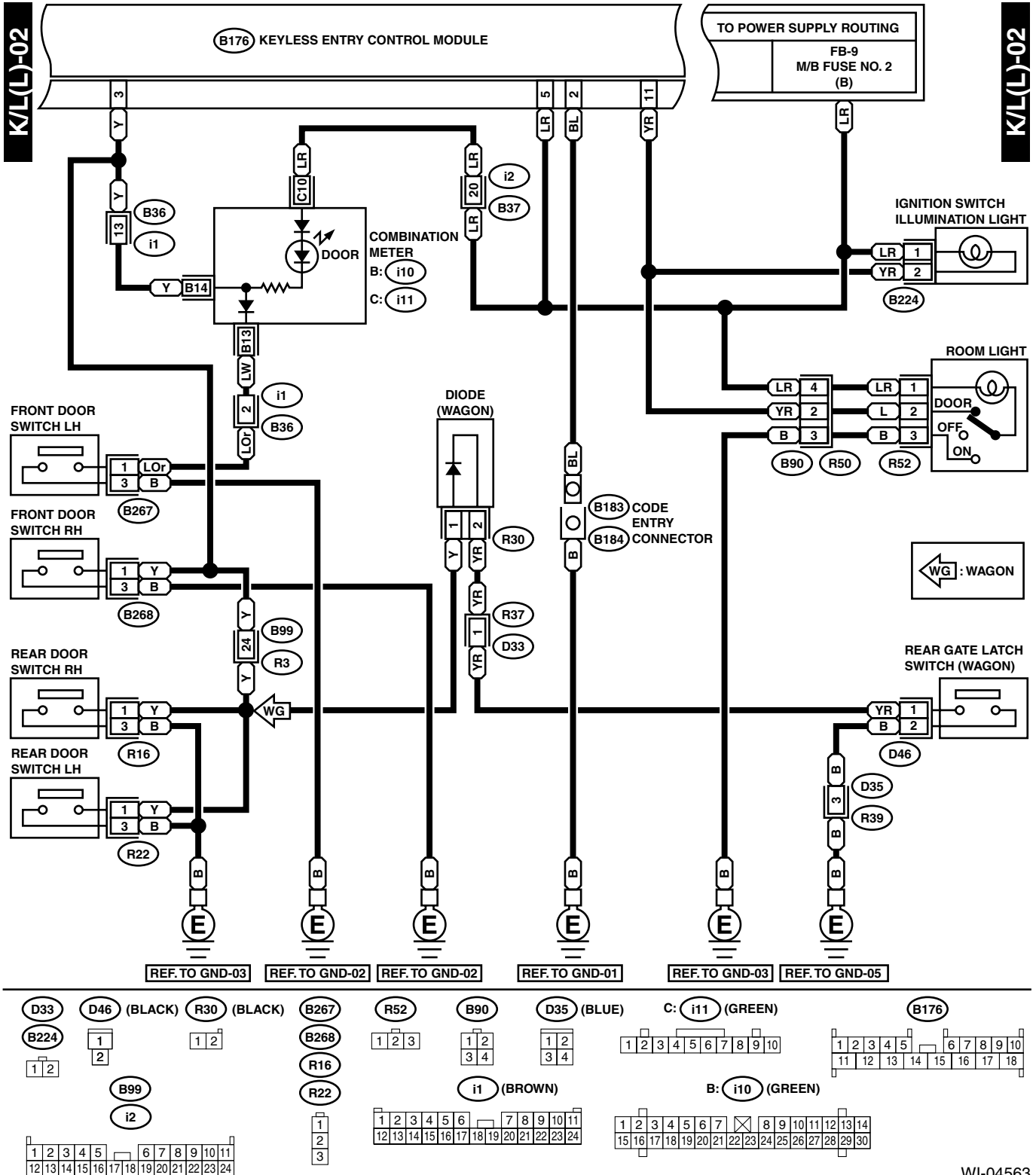
#### 1. LHD MODEL



WI-02375

# Keyless Entry System

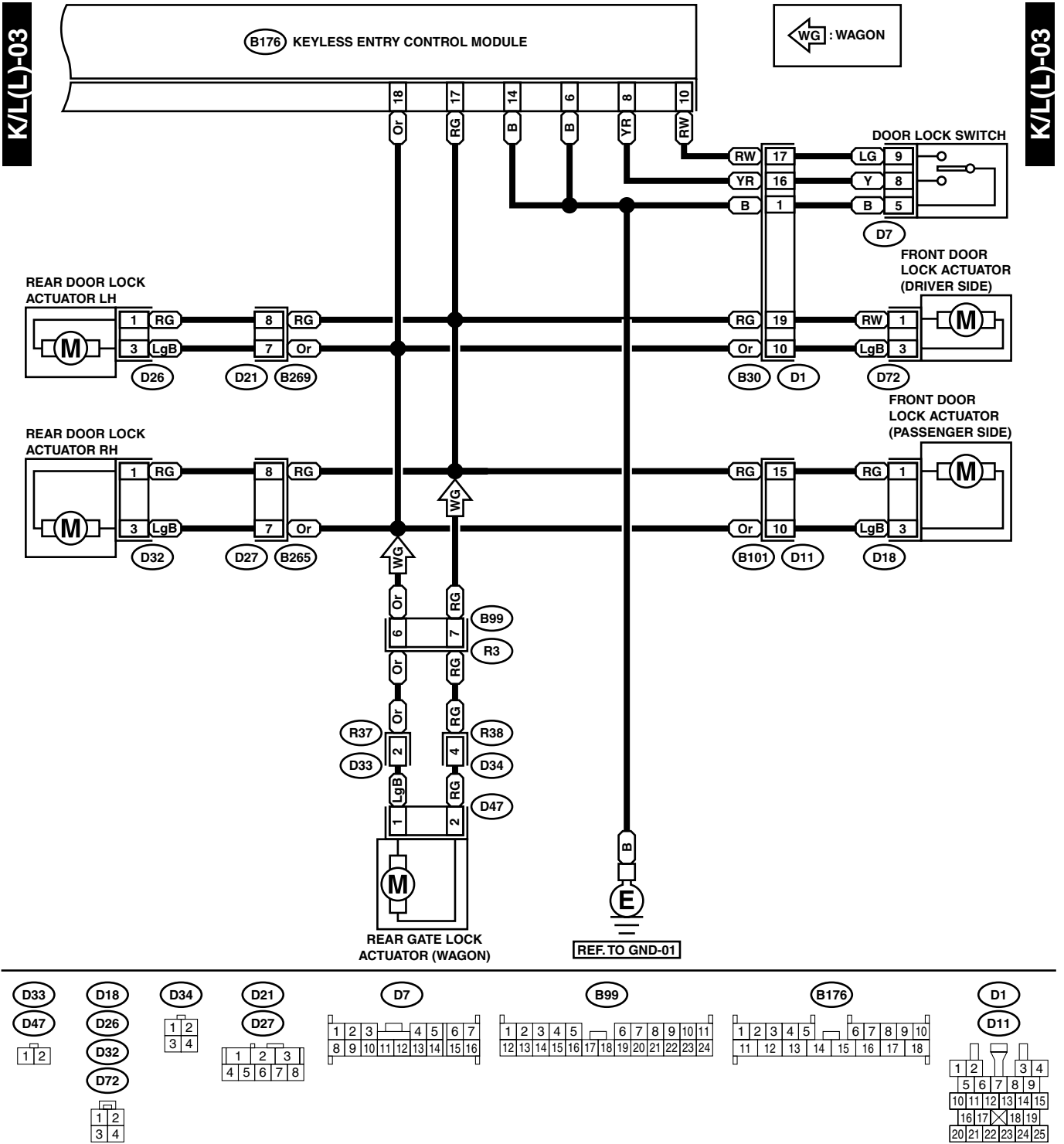
WIRING SYSTEM



WI-04563

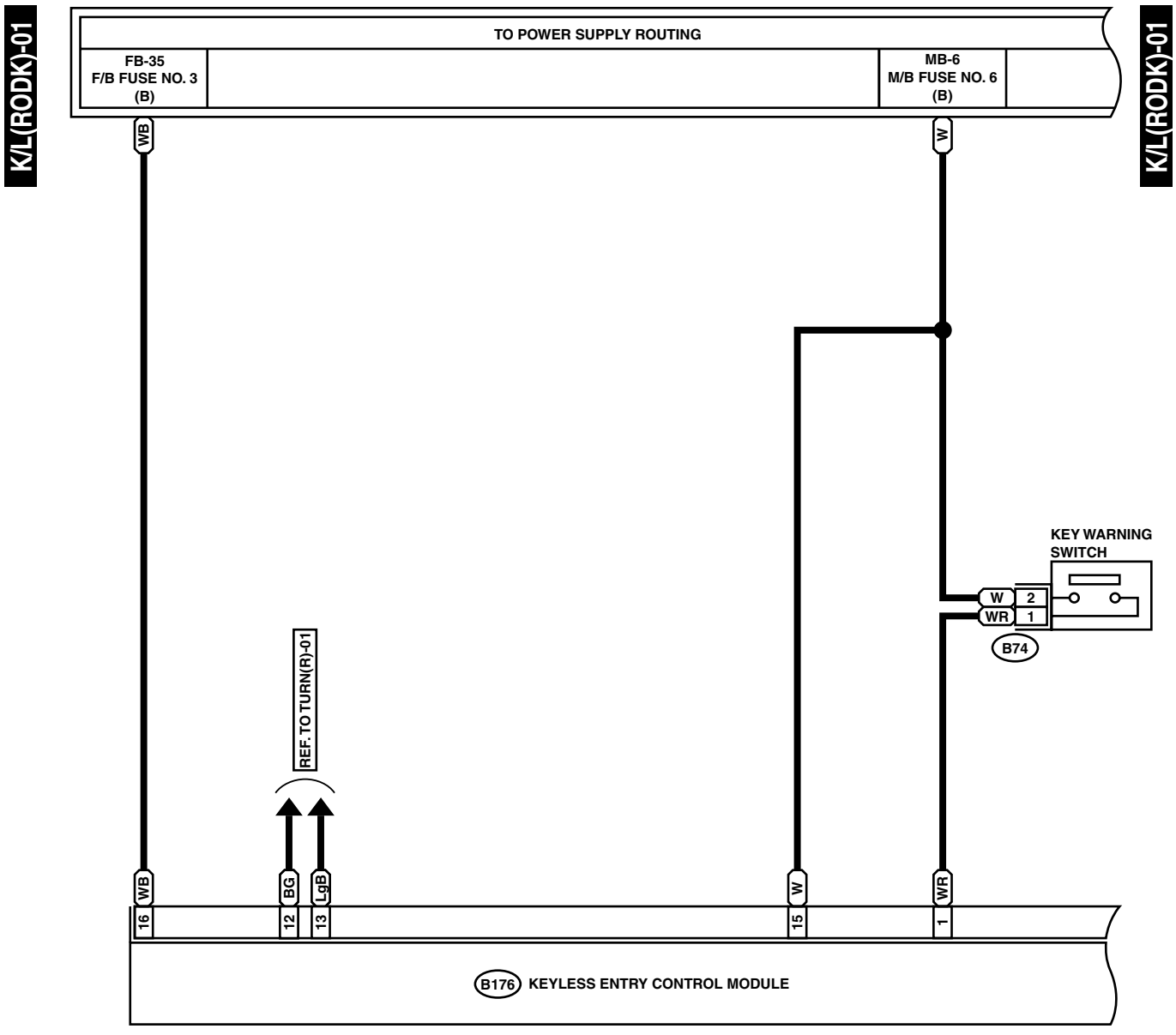
# Keyless Entry System

WIRING SYSTEM



WI-04483

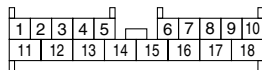
## 2. RHD WITHOUT DOUBLE LOCK MODEL



(B74) (BLACK)

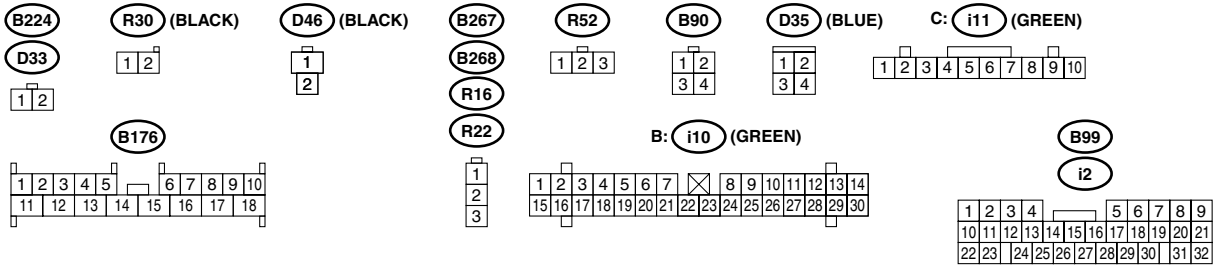
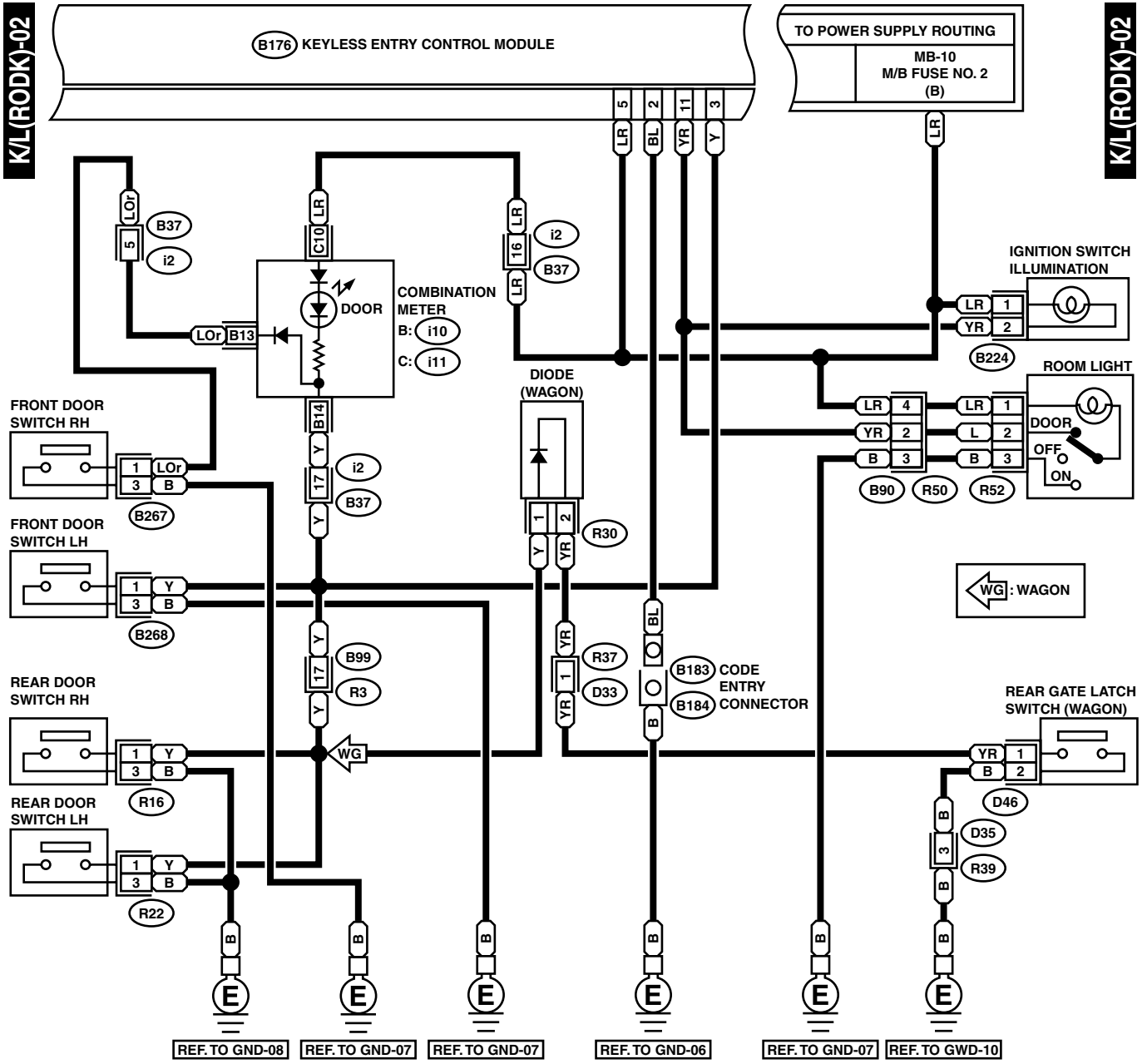


(B176)



# Keyless Entry System

WIRING SYSTEM



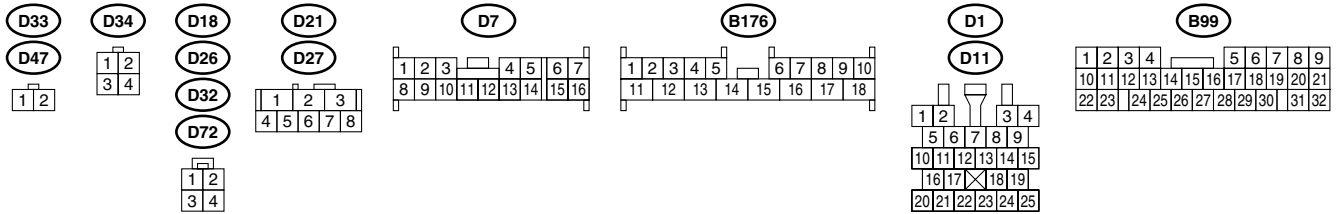
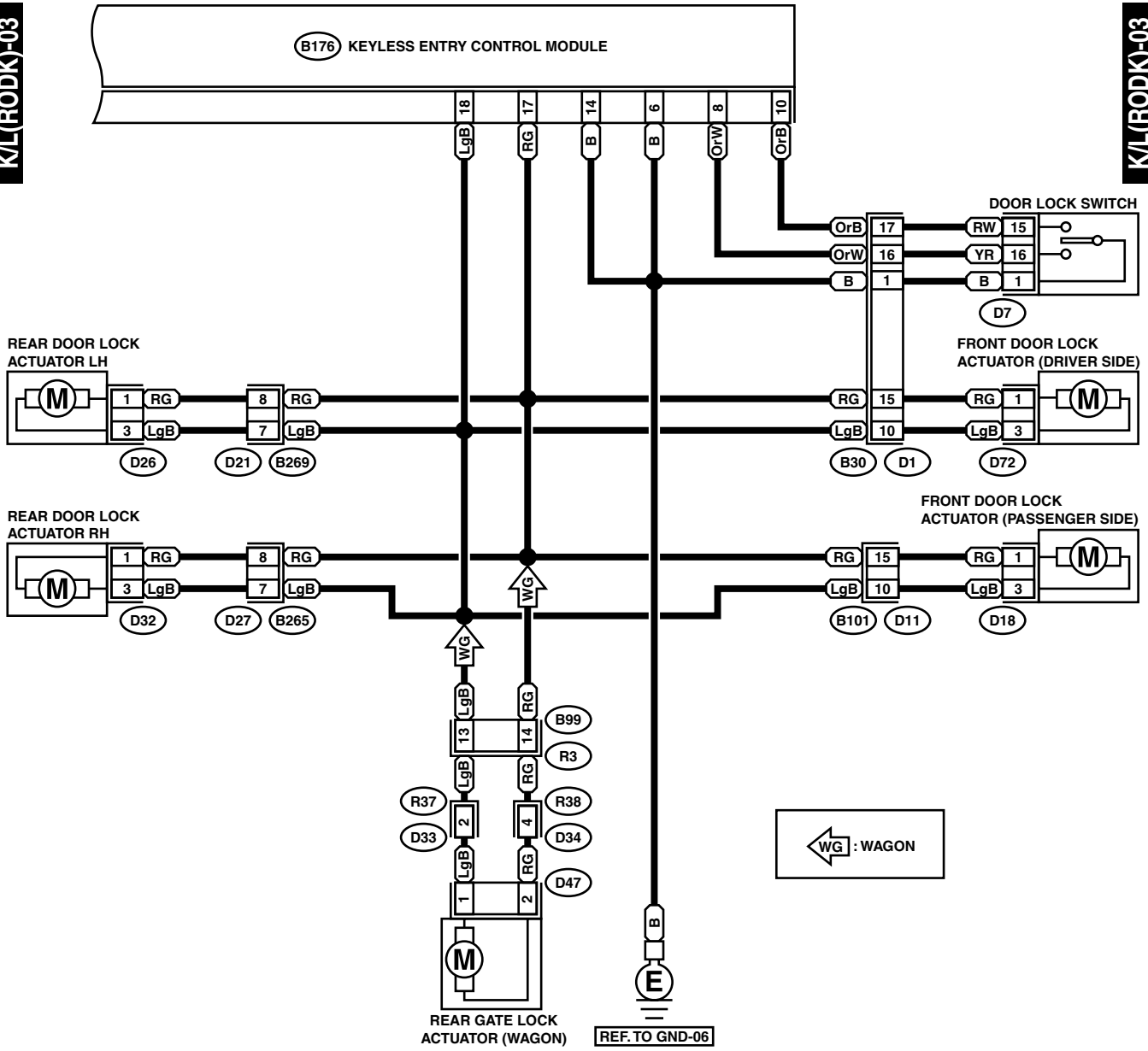
WI-04564

# Keyless Entry System

WIRING SYSTEM

KL(RODK)-03

KL(RODK)-03



WI-04484

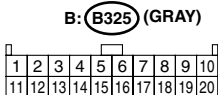
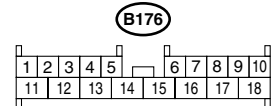
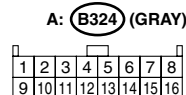
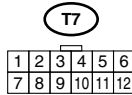
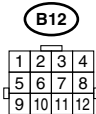
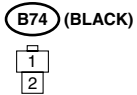
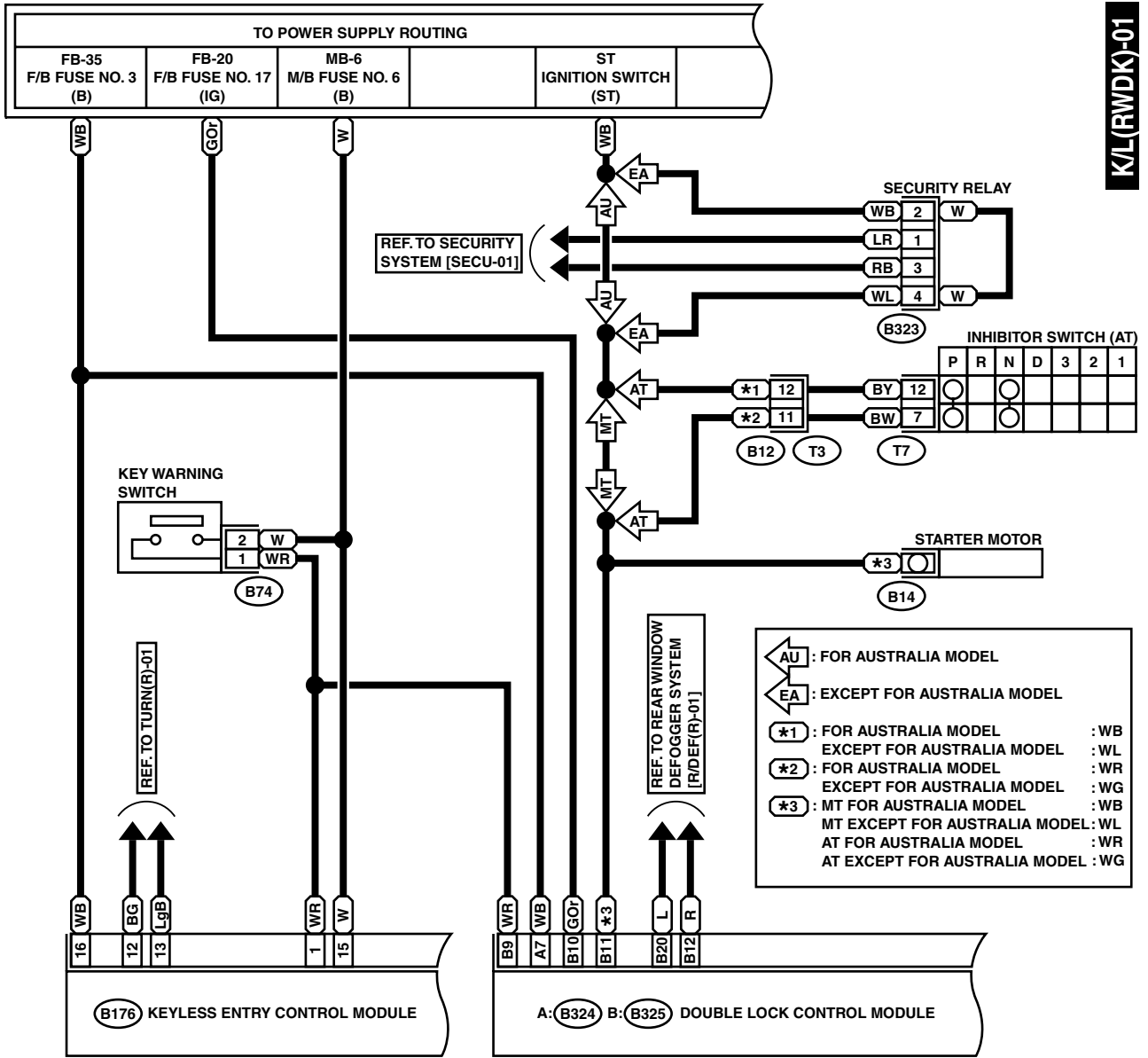
# Keyless Entry System

WIRING SYSTEM

## 3. RHD WITH DOUBLE LOCK MODEL

K/L(RWDK)-01

K/L(RWDK)-01

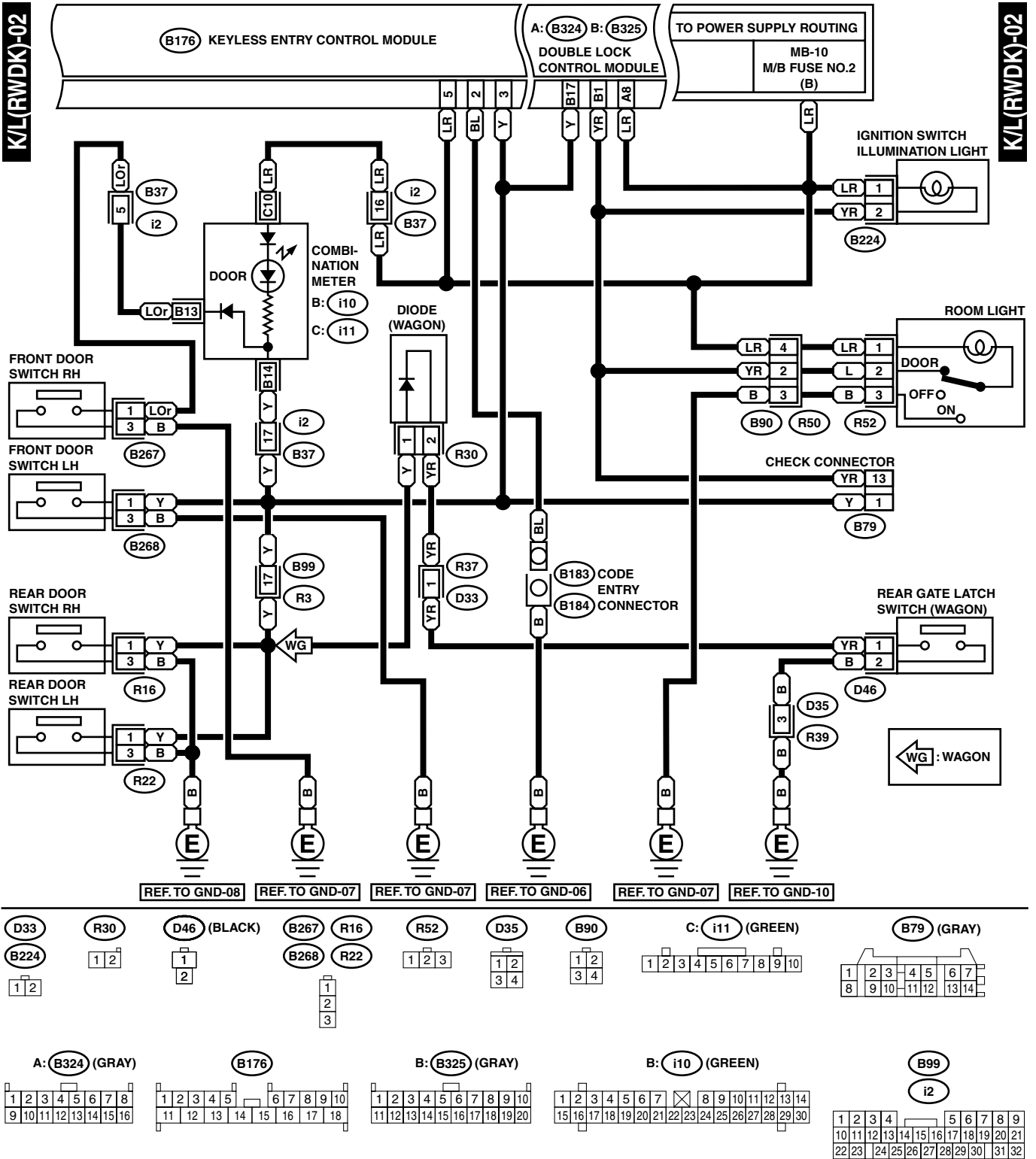


WI-04565



# Keyless Entry System

WIRING SYSTEM

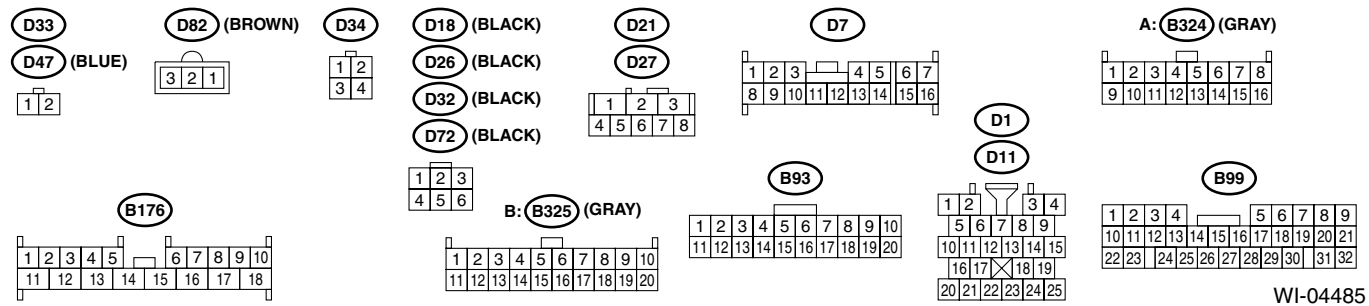
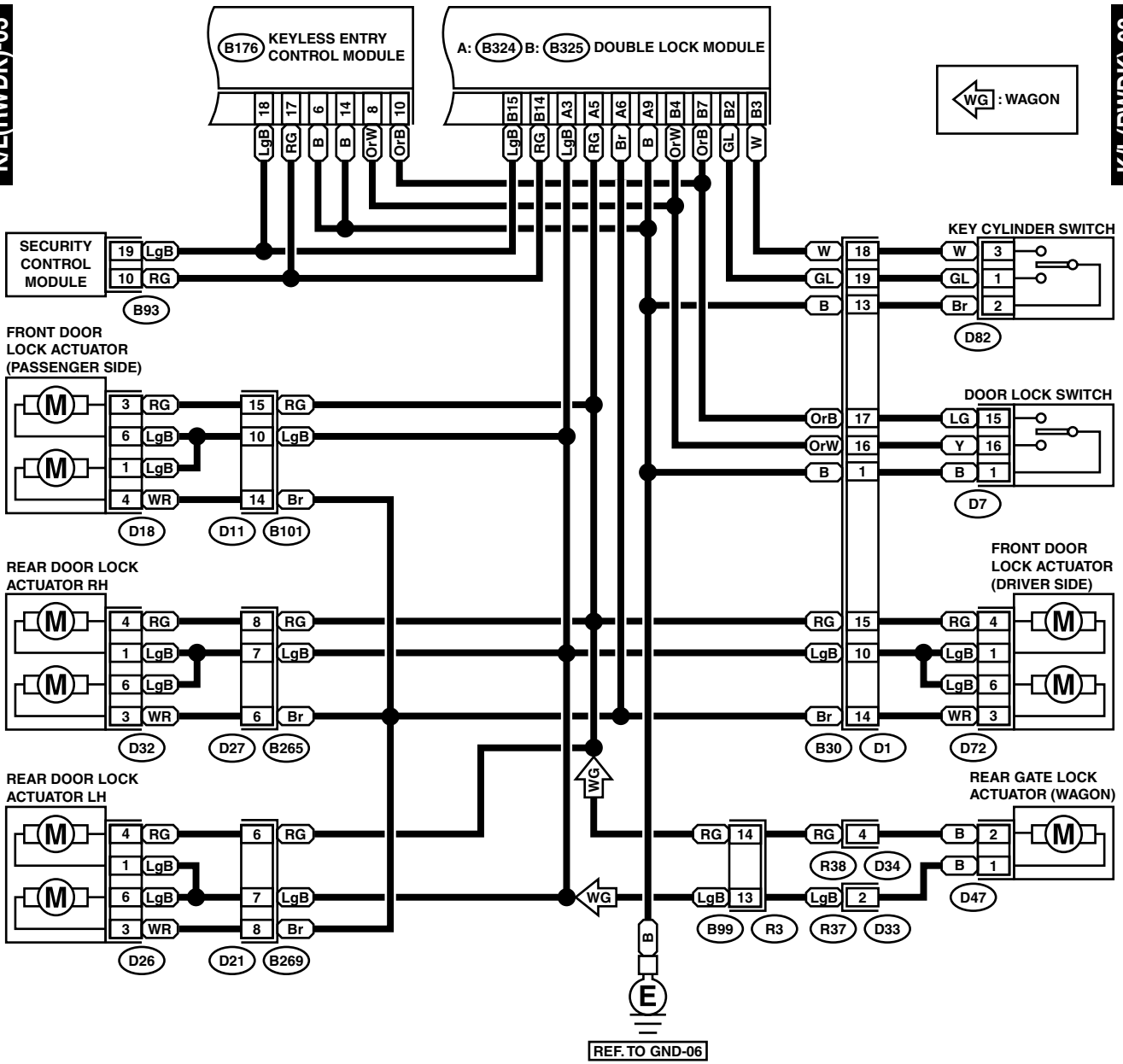


# Keyless Entry System

WIRING SYSTEM

KL(RWDK)-03

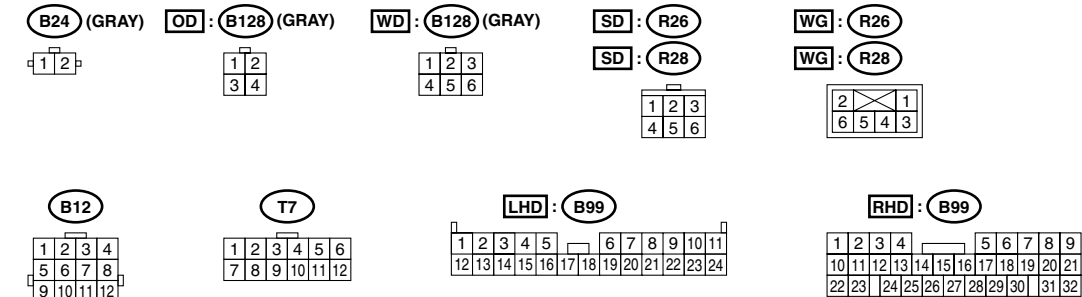
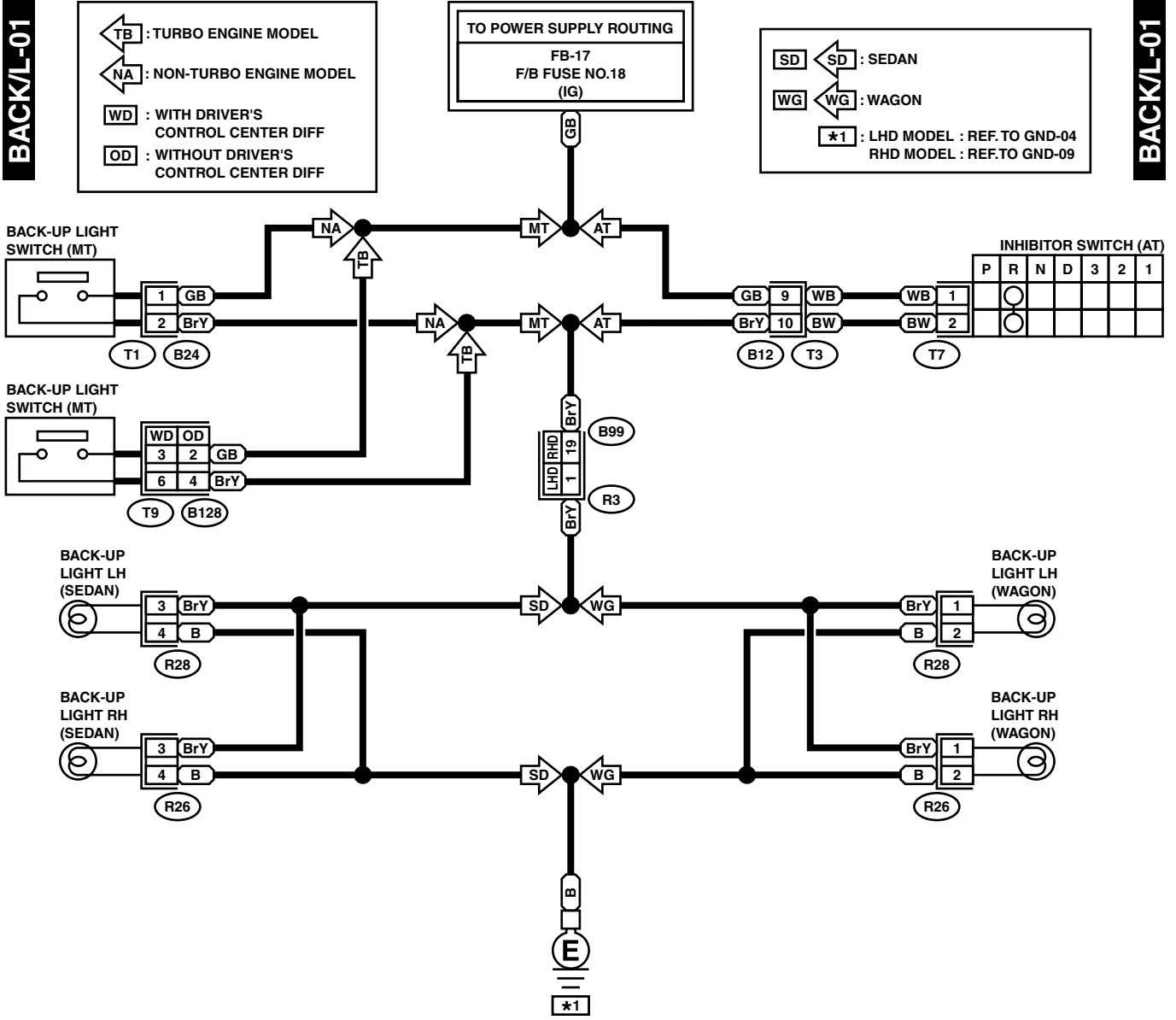
KL(RWDK)-03



WI-04485

## 22.Back-up Light System

### A: WIRING DIAGRAM



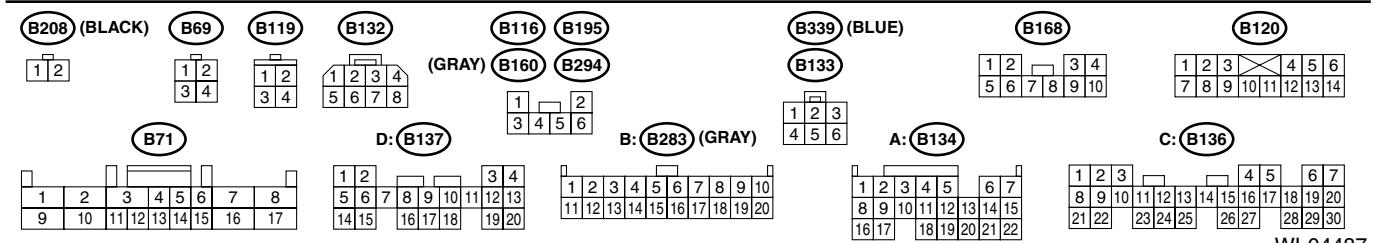
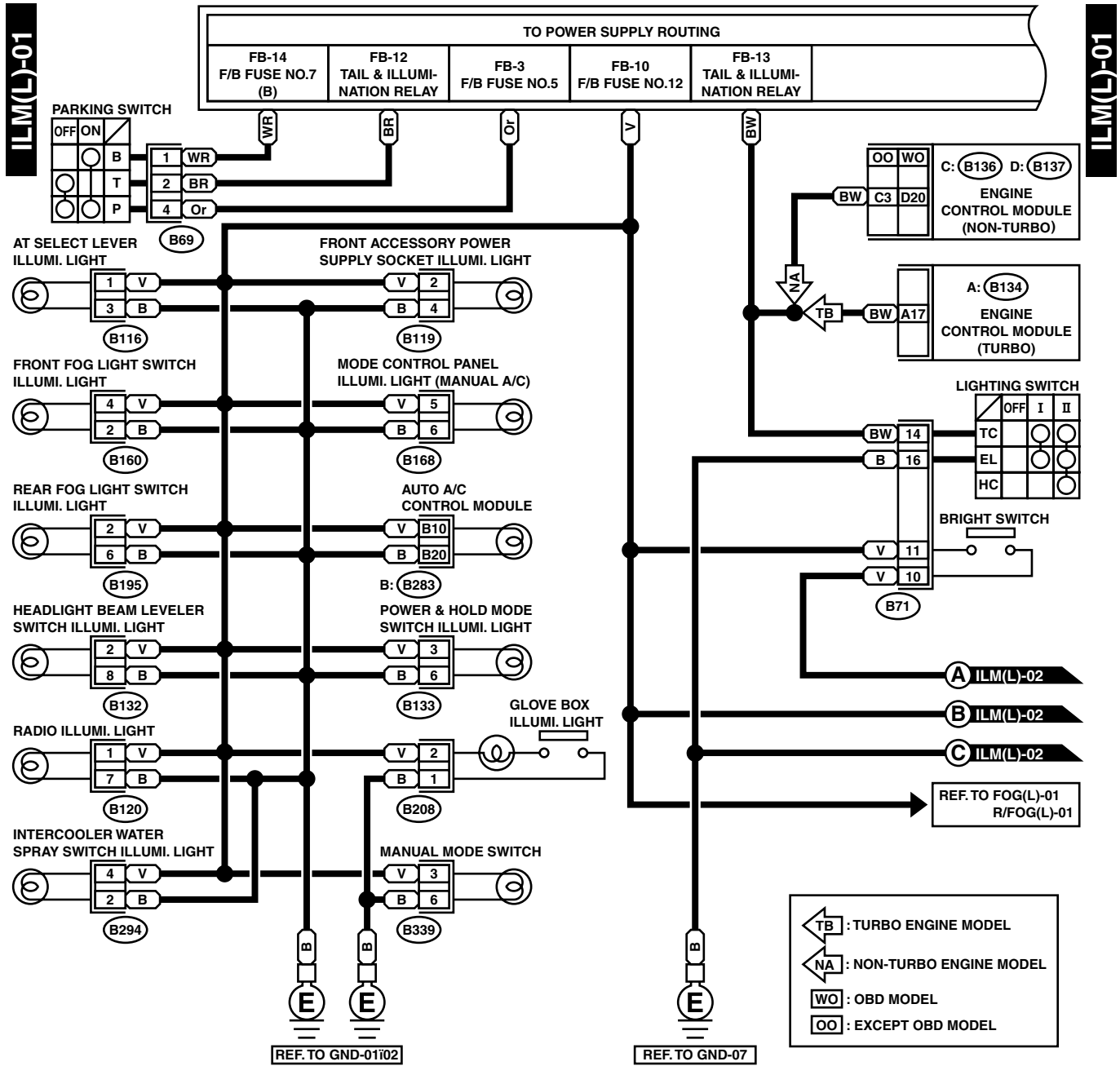
# Clearance Light and Illumination Light System

WIRING SYSTEM

## 23. Clearance Light and Illumination Light System

### A: WIRING DIAGRAM

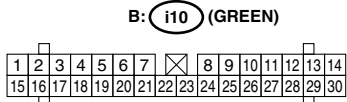
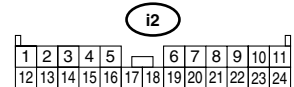
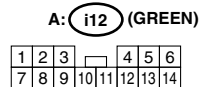
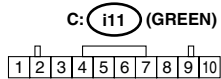
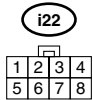
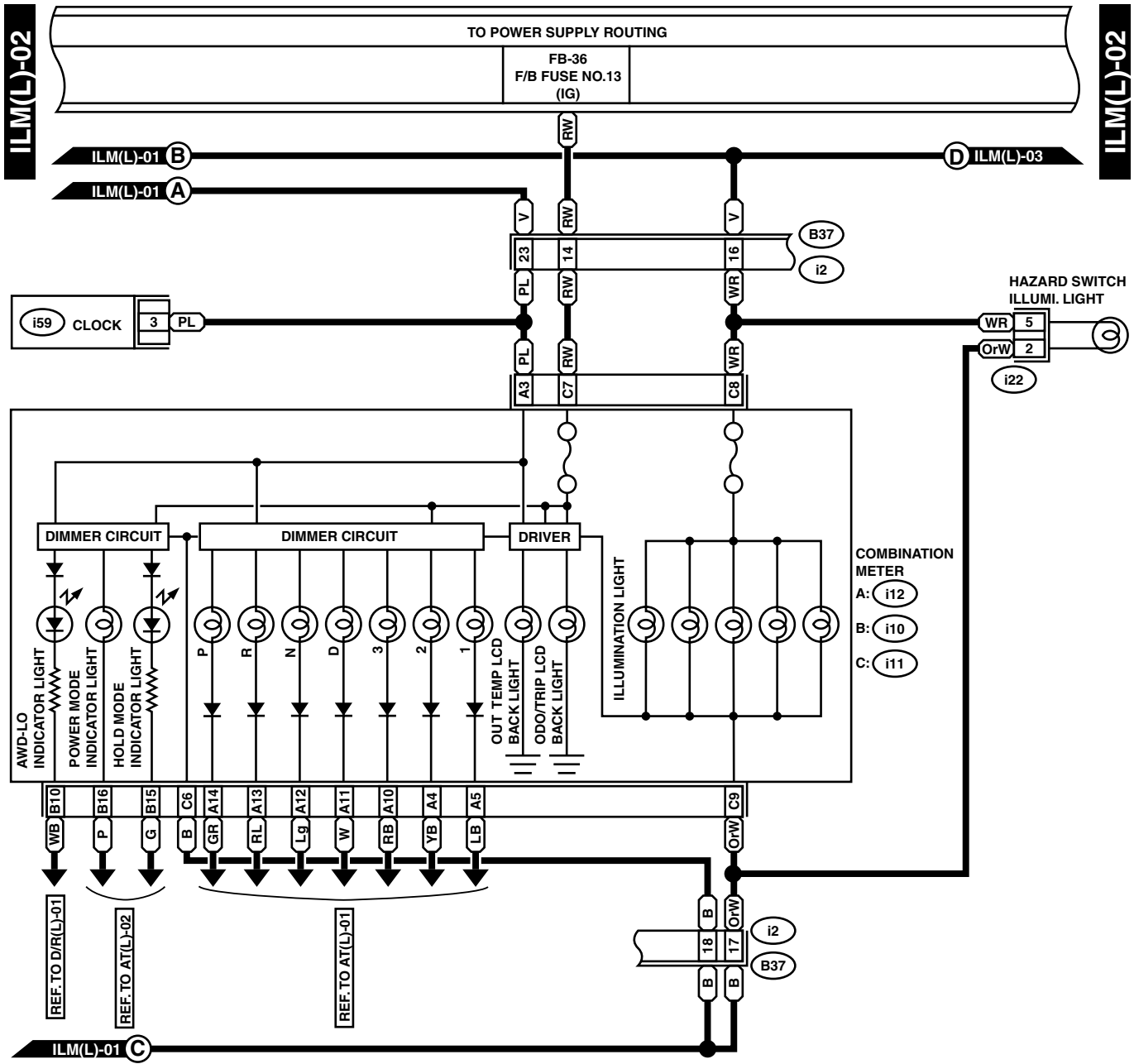
#### 1. LHD MODEL



WI-04487

# Clearance Light and Illumination Light System

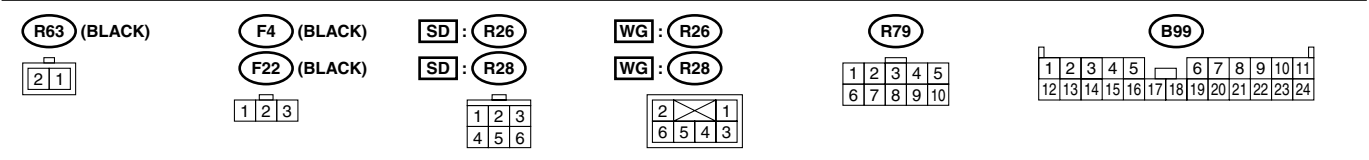
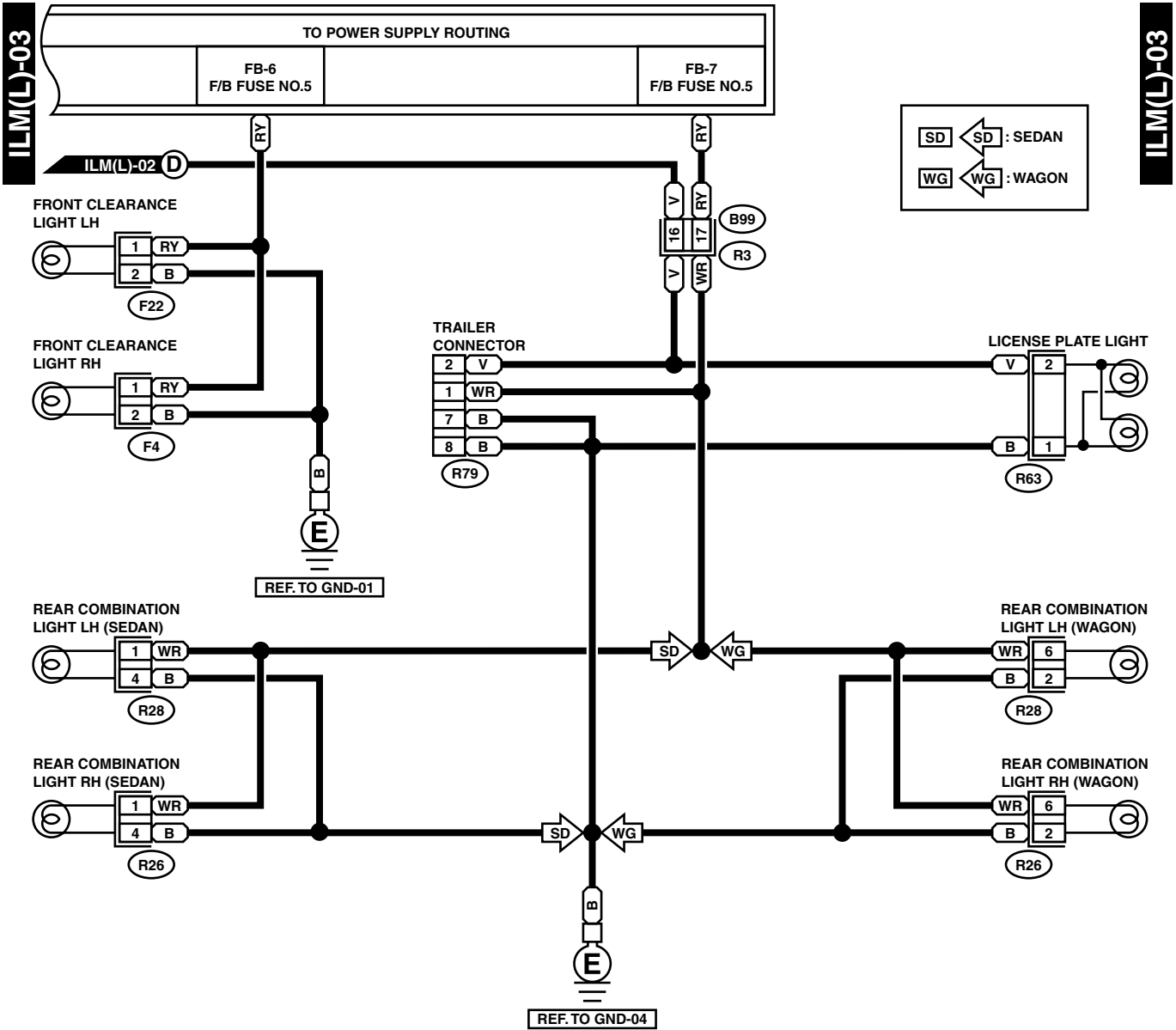
WIRING SYSTEM



WI-04488

# Clearance Light and Illumination Light System

WIRING SYSTEM

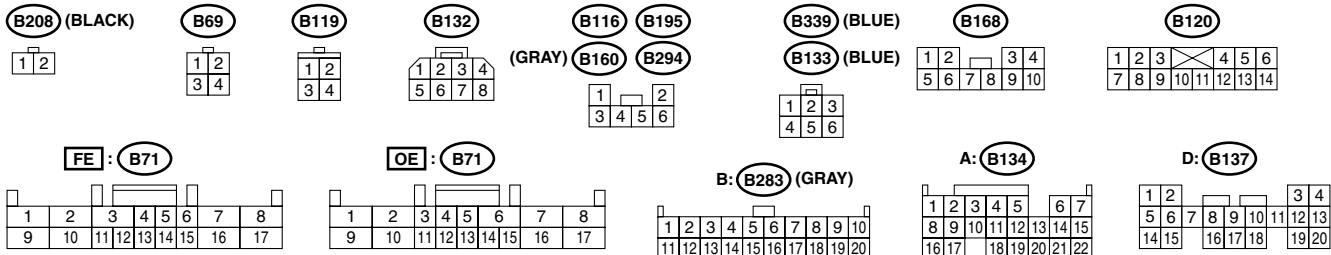
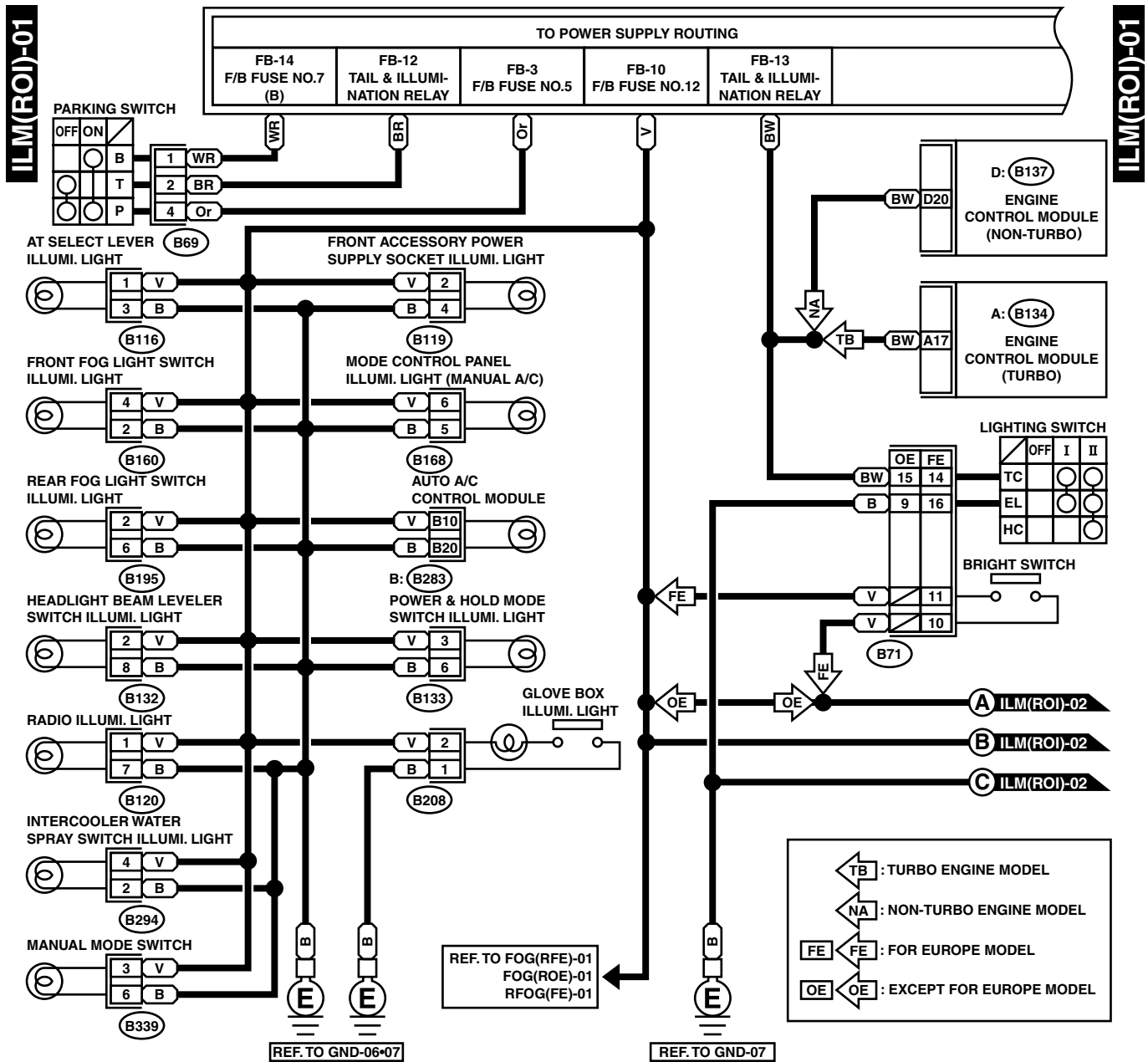


WI-04489

# Clearance Light and Illumination Light System

WIRING SYSTEM

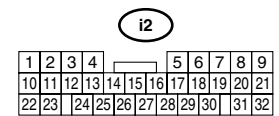
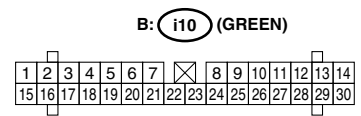
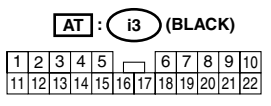
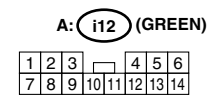
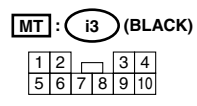
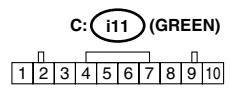
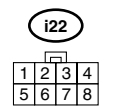
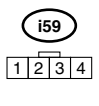
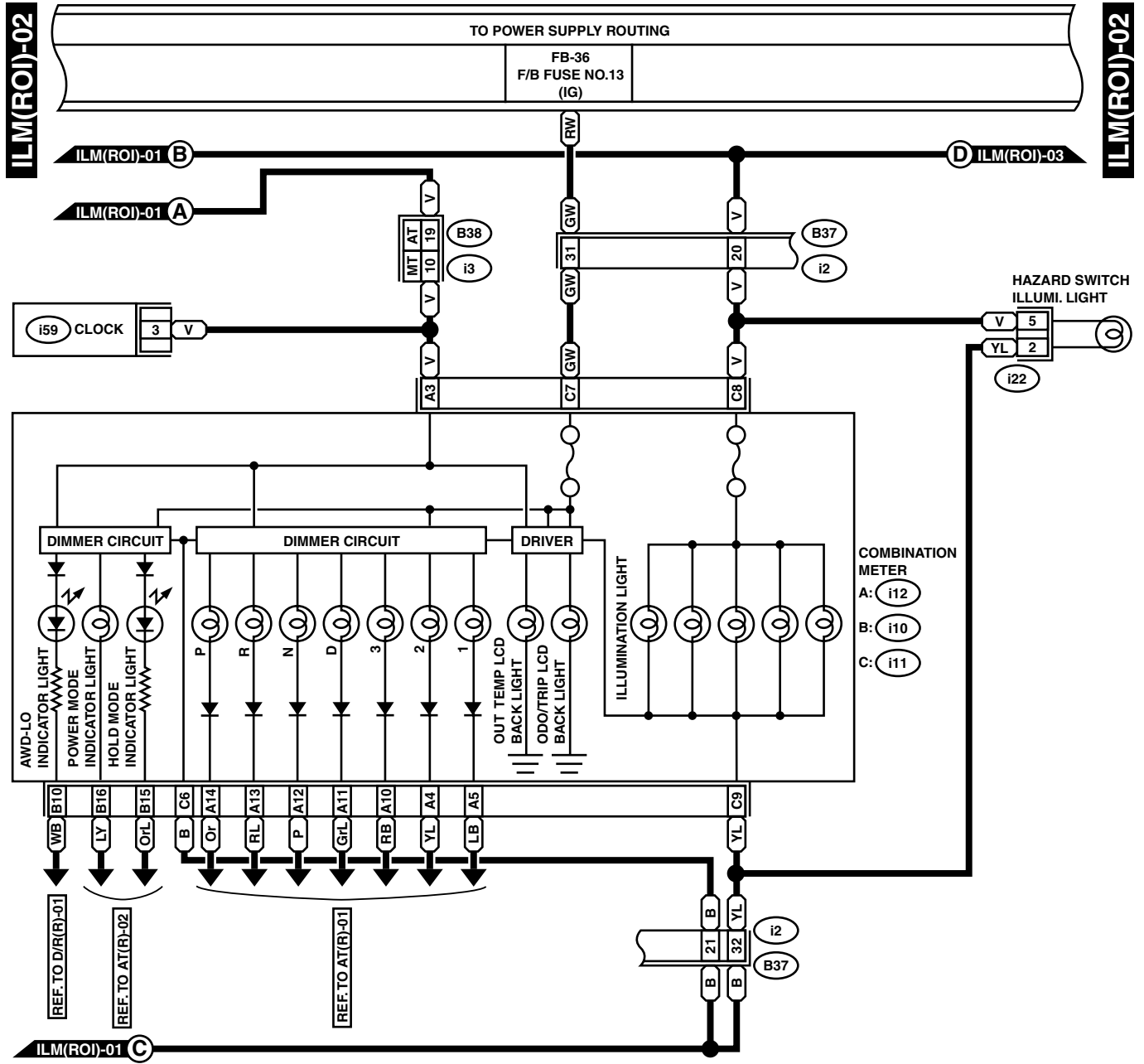
## 2. RHD WITHOUT ILLUMINATION CONTROL MODEL



WI-04490

# Clearance Light and Illumination Light System

WIRING SYSTEM

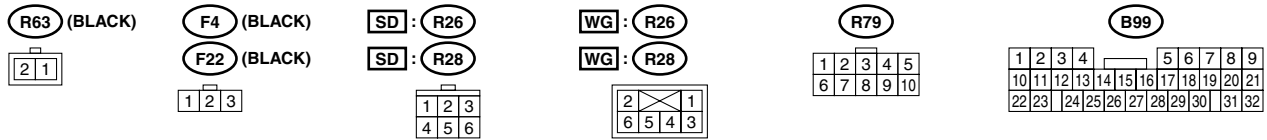
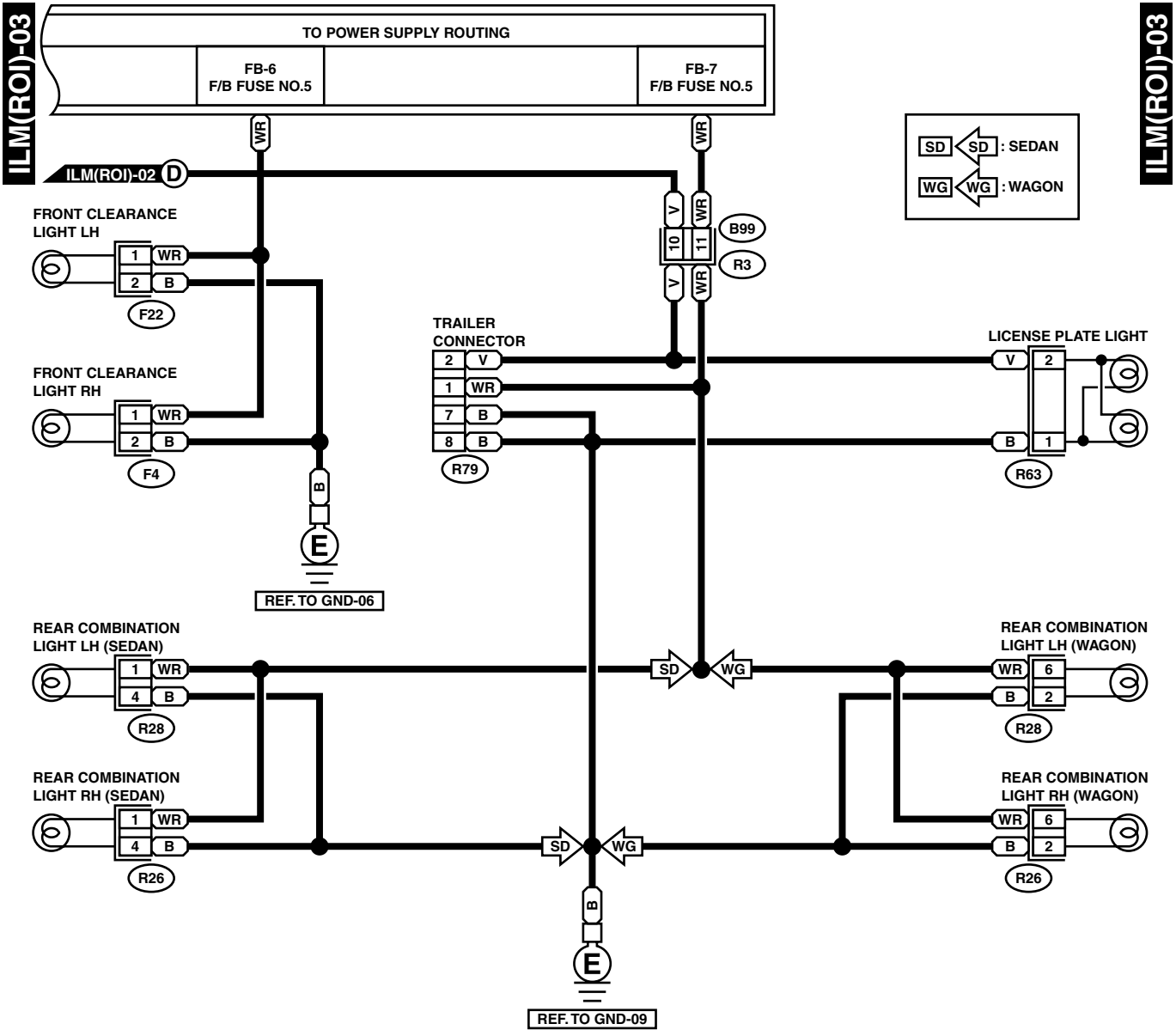


WI-04491



# Clearance Light and Illumination Light System

WIRING SYSTEM

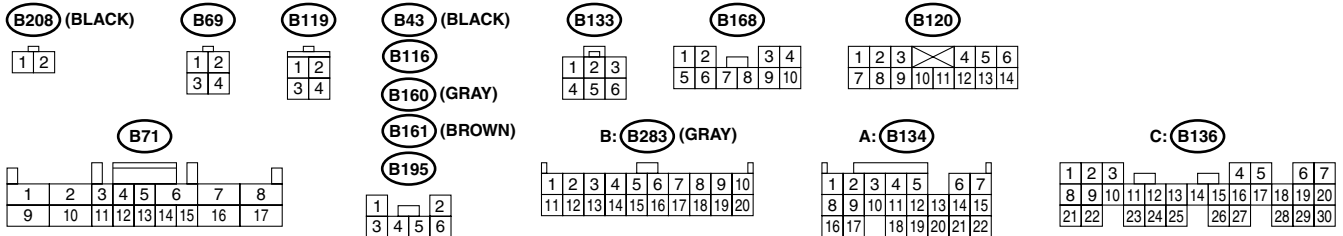
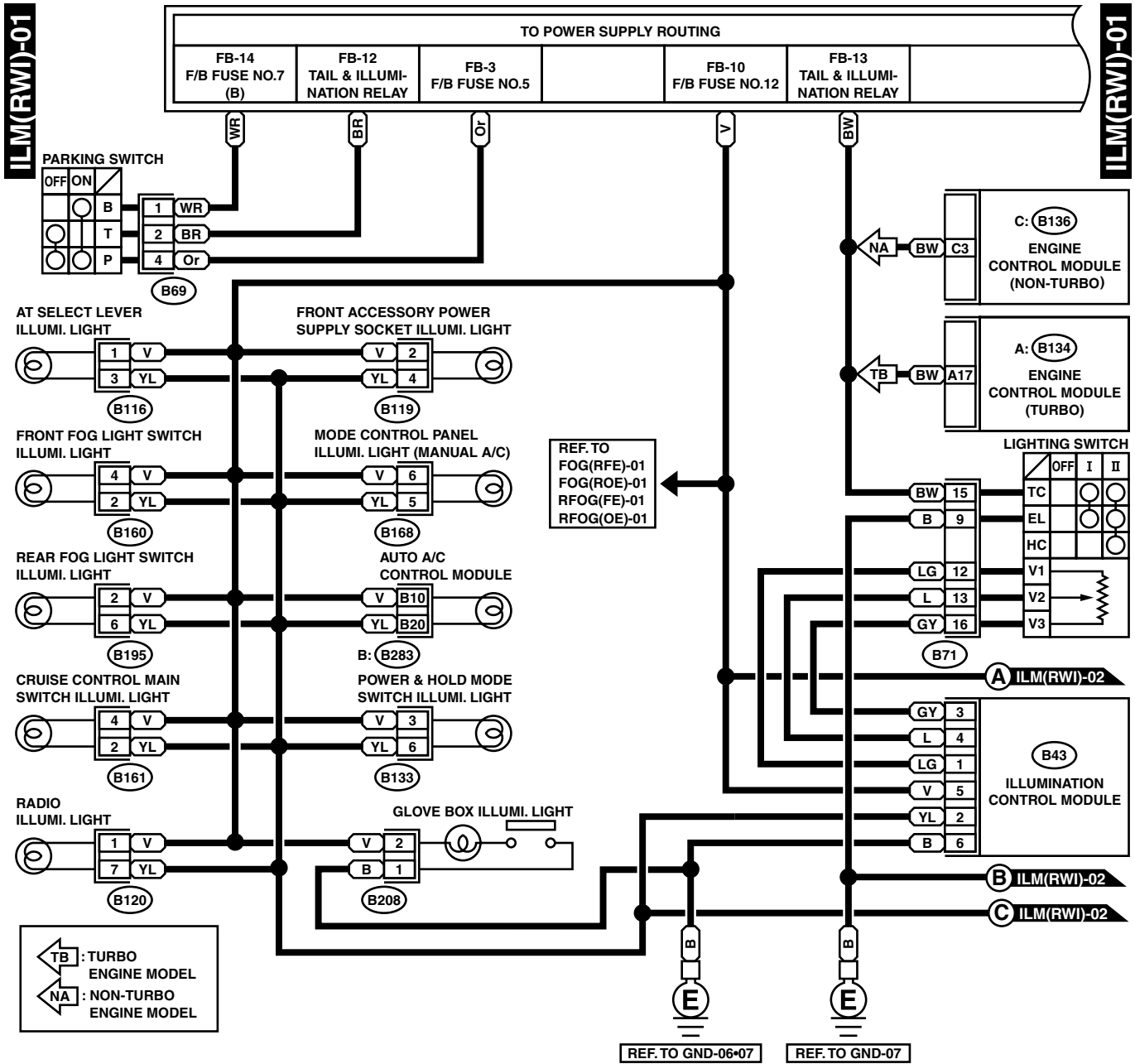


WI-04492

# Clearance Light and Illumination Light System

WIRING SYSTEM

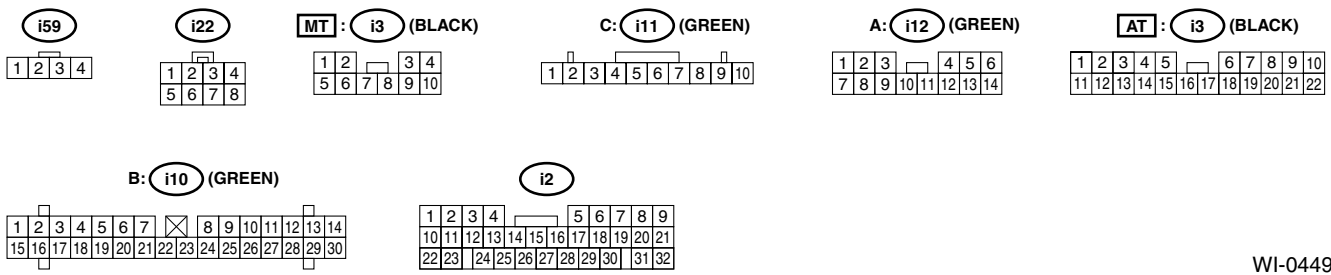
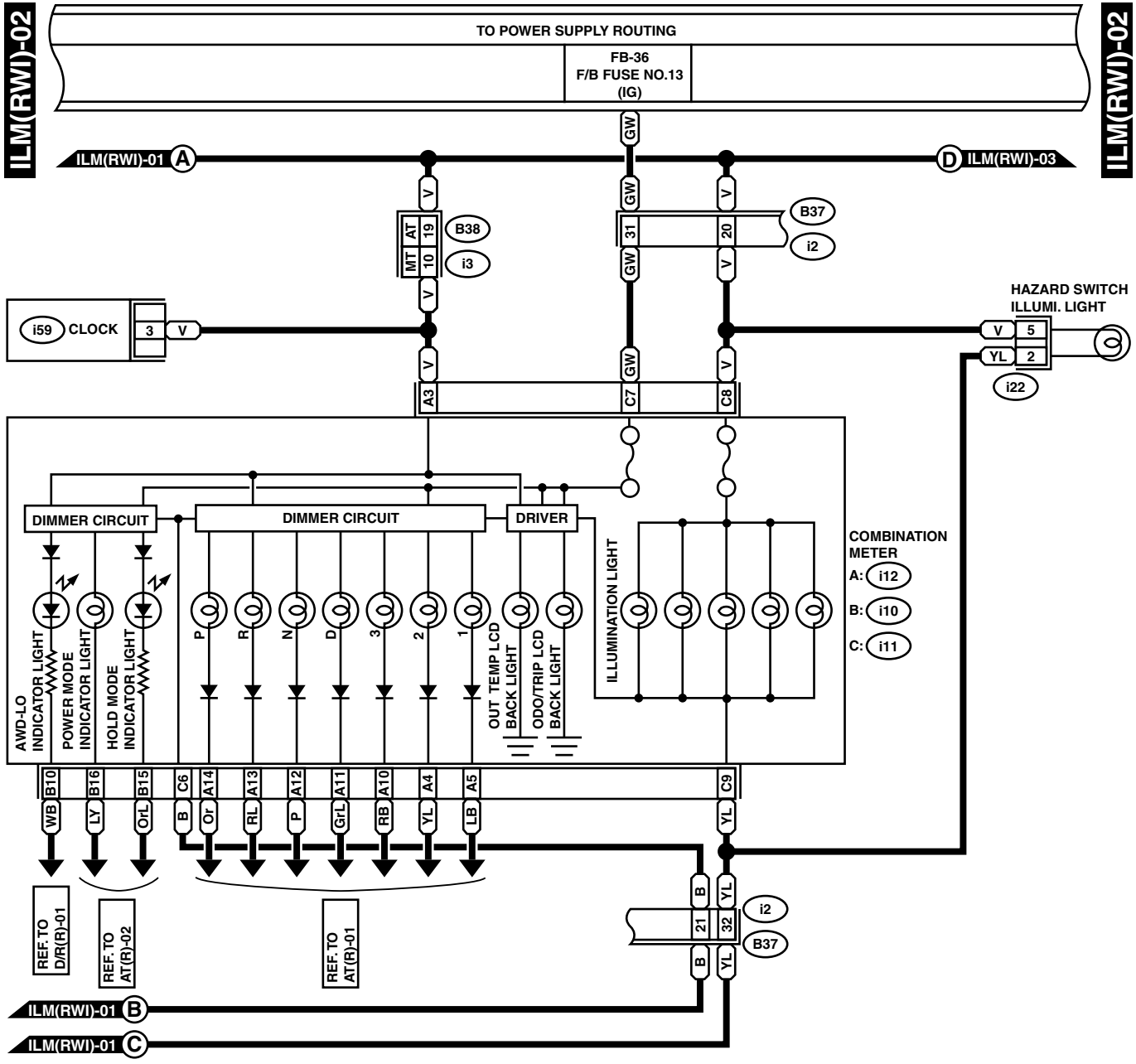
## 3. RHD WITH ILLUMINATION CONTROL EXCEPT FOR AUSTRALIA STi MODEL



WI-04493

# Clearance Light and Illumination Light System

WIRING SYSTEM



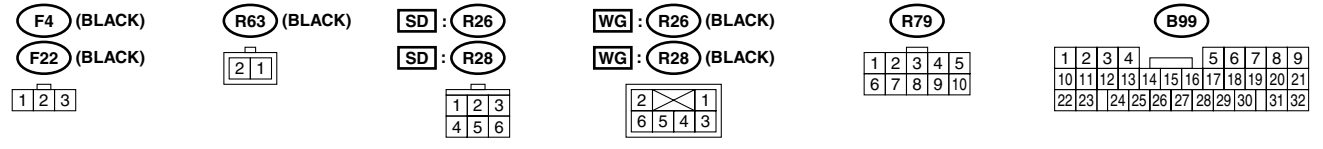
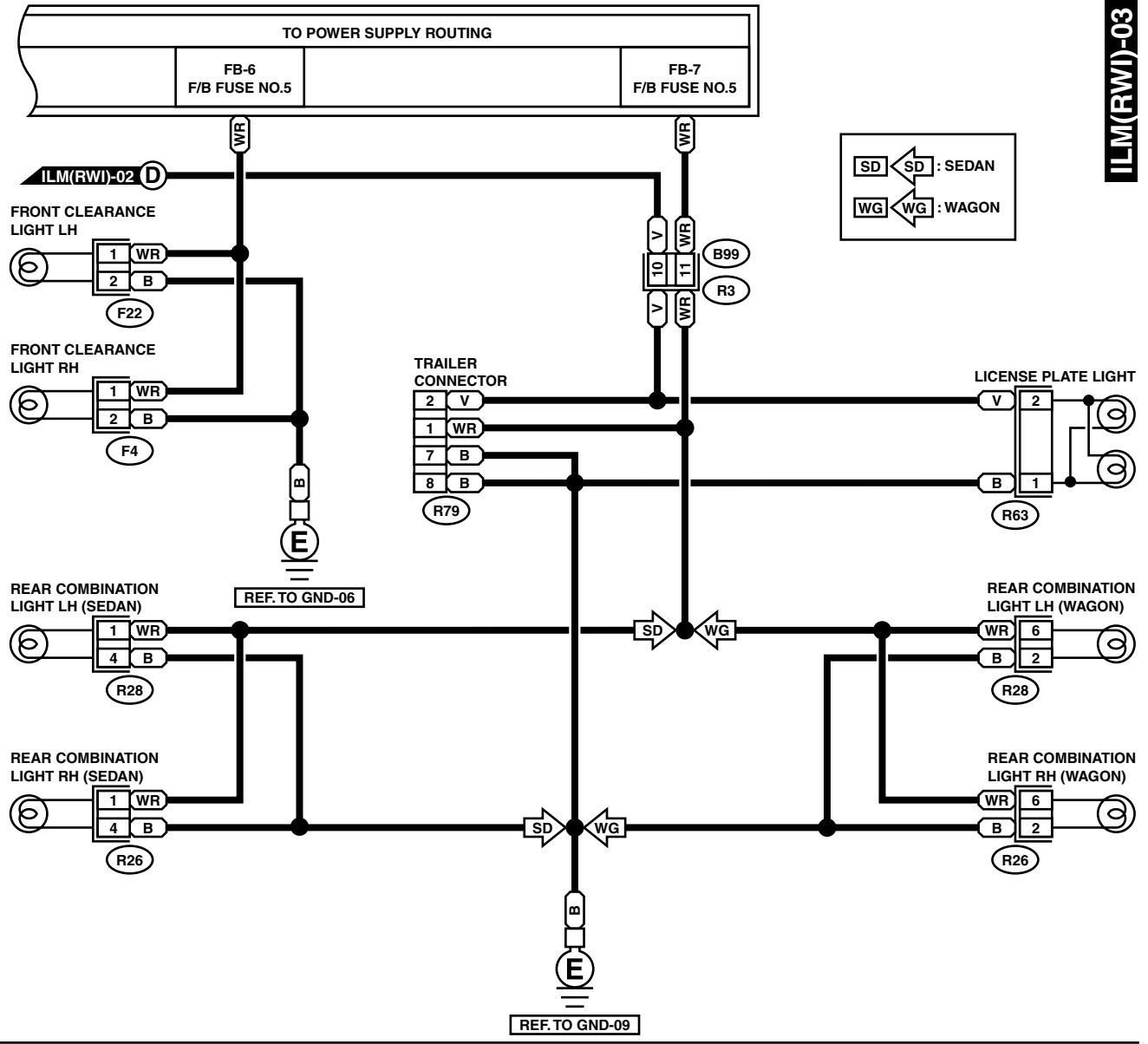
WI-04494

# Clearance Light and Illumination Light System

WIRING SYSTEM

ILM(RWI)-03

ILM(RWI)-03

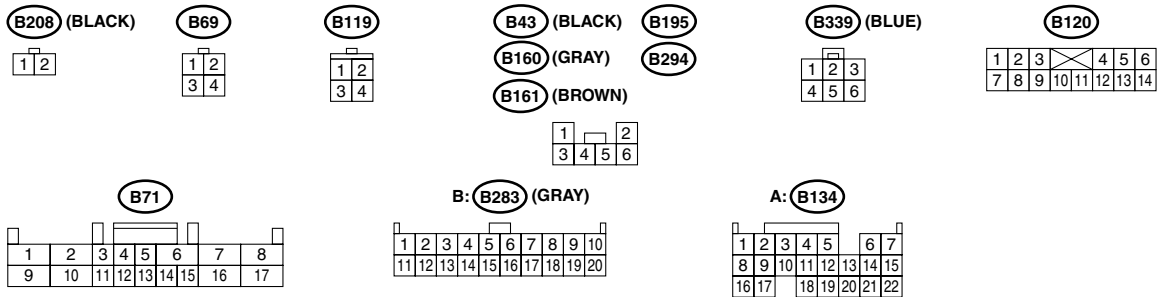
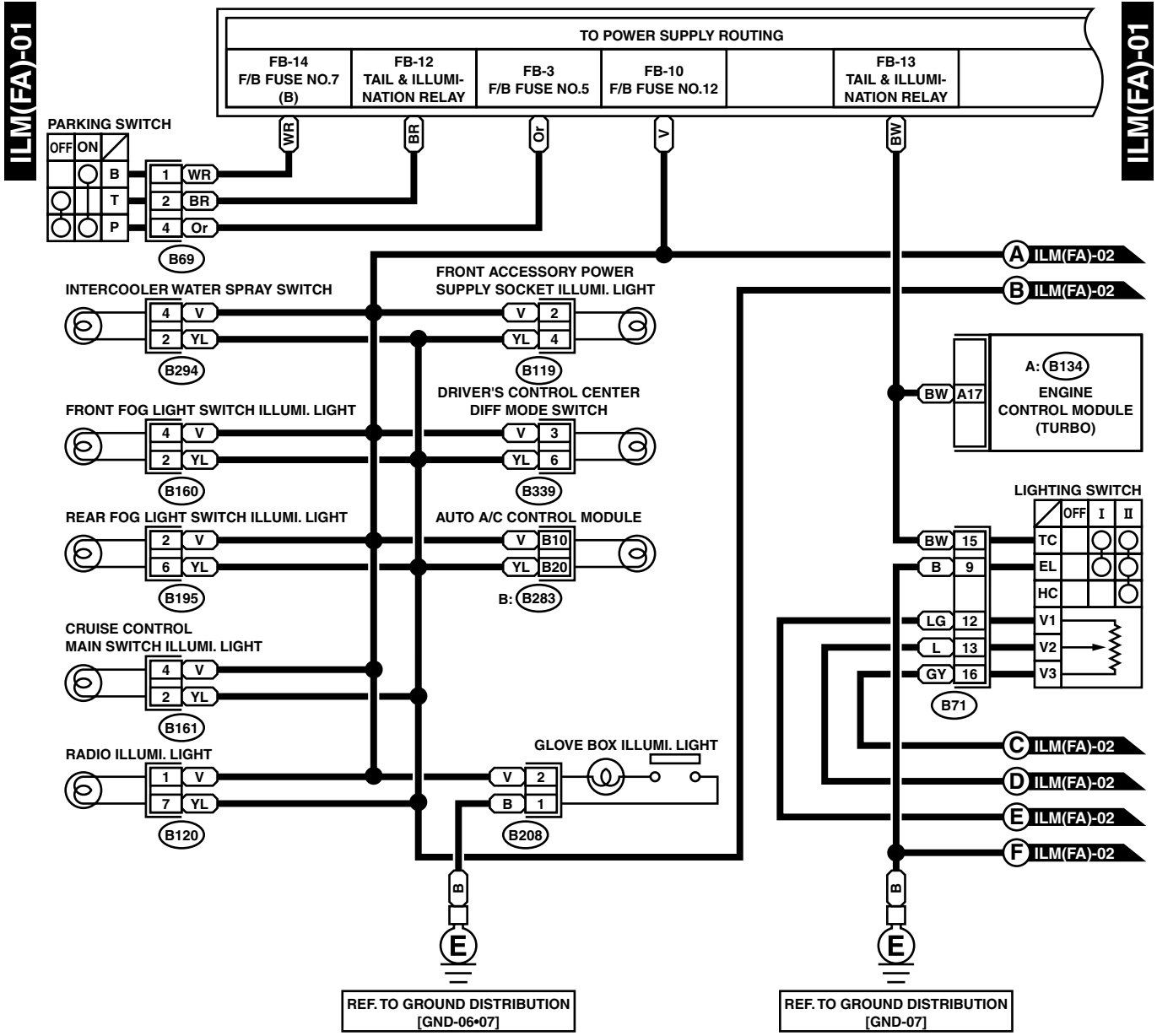


WI-04495

# Clearance Light and Illumination Light System

WIRING SYSTEM

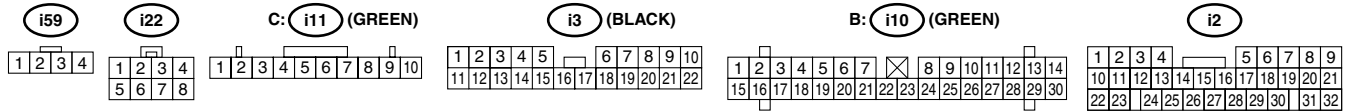
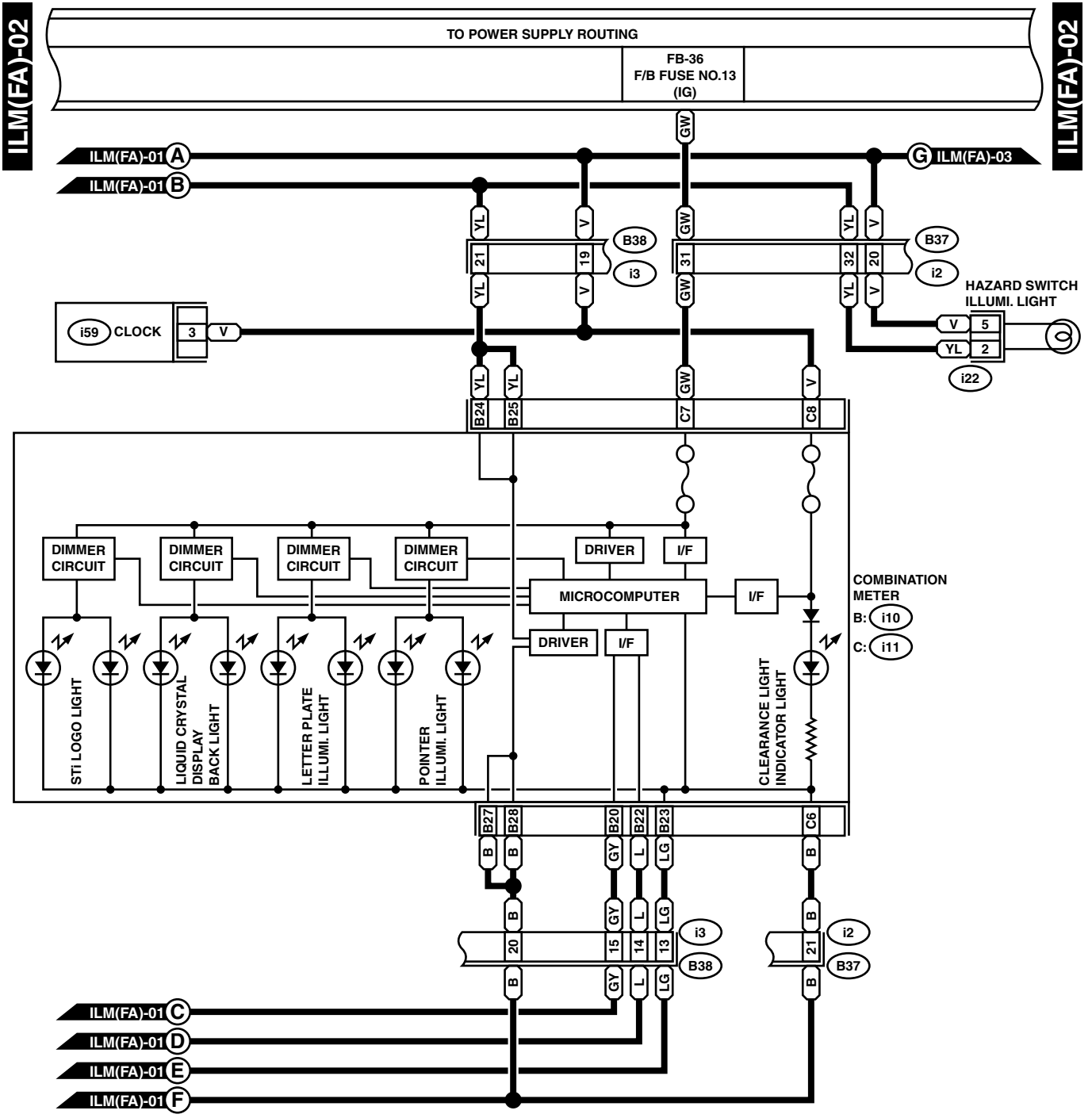
## 4. RHD FOR AUSTRALIA STi MODEL



WI-04496

# Clearance Light and Illumination Light System

WIRING SYSTEM



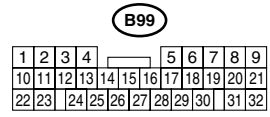
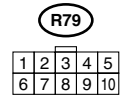
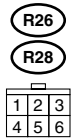
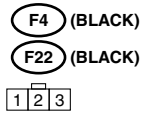
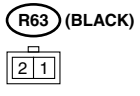
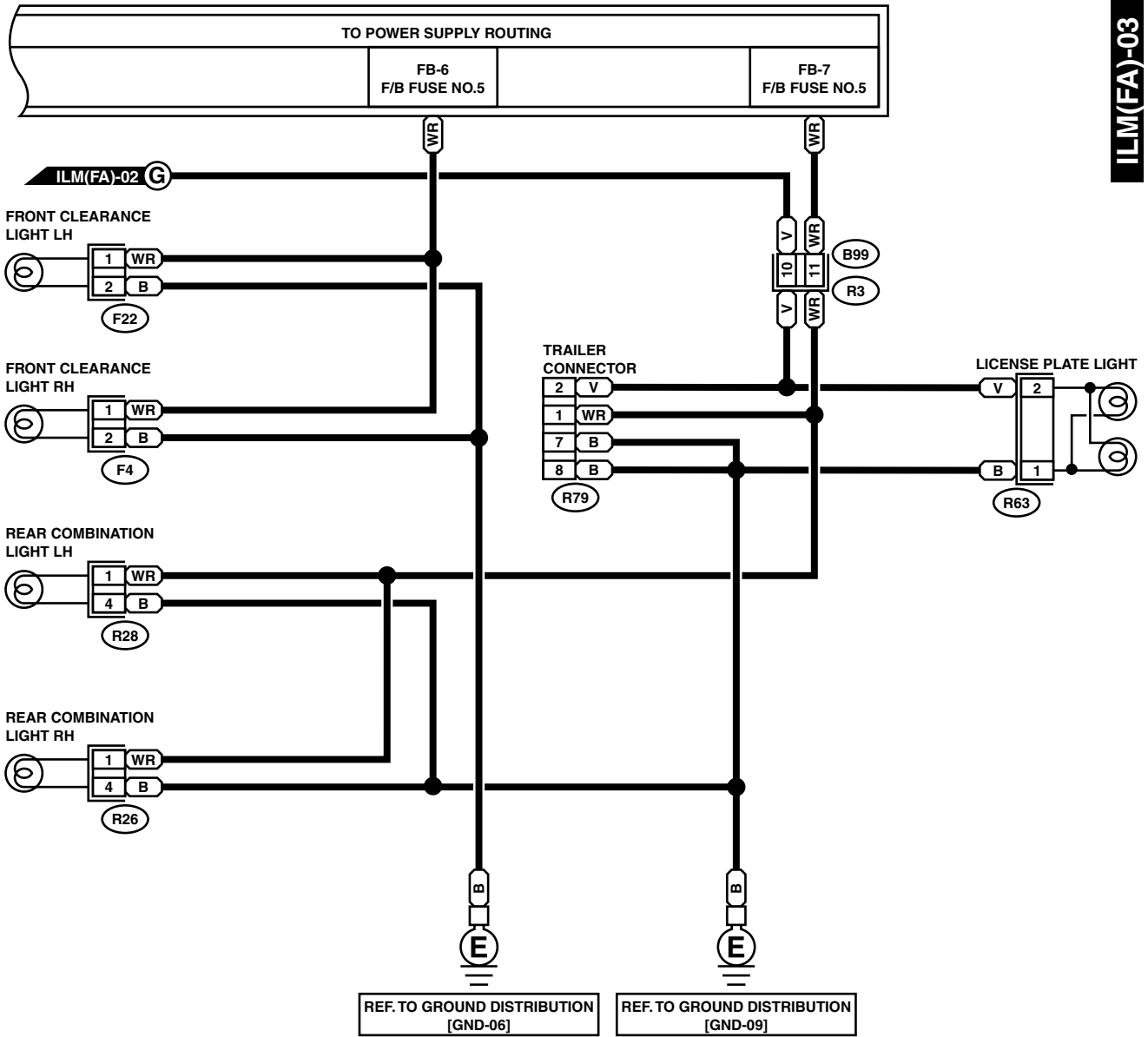
WI-04497

# Clearance Light and Illumination Light System

WIRING SYSTEM

ILM(FA)-03

ILM(FA)-03



WI-04498

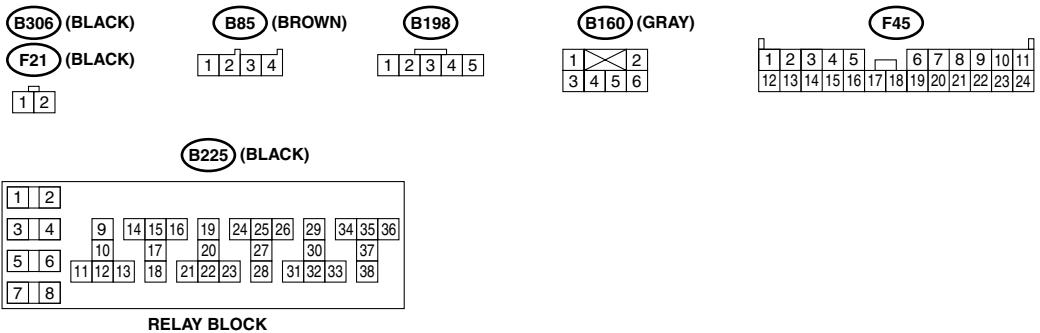
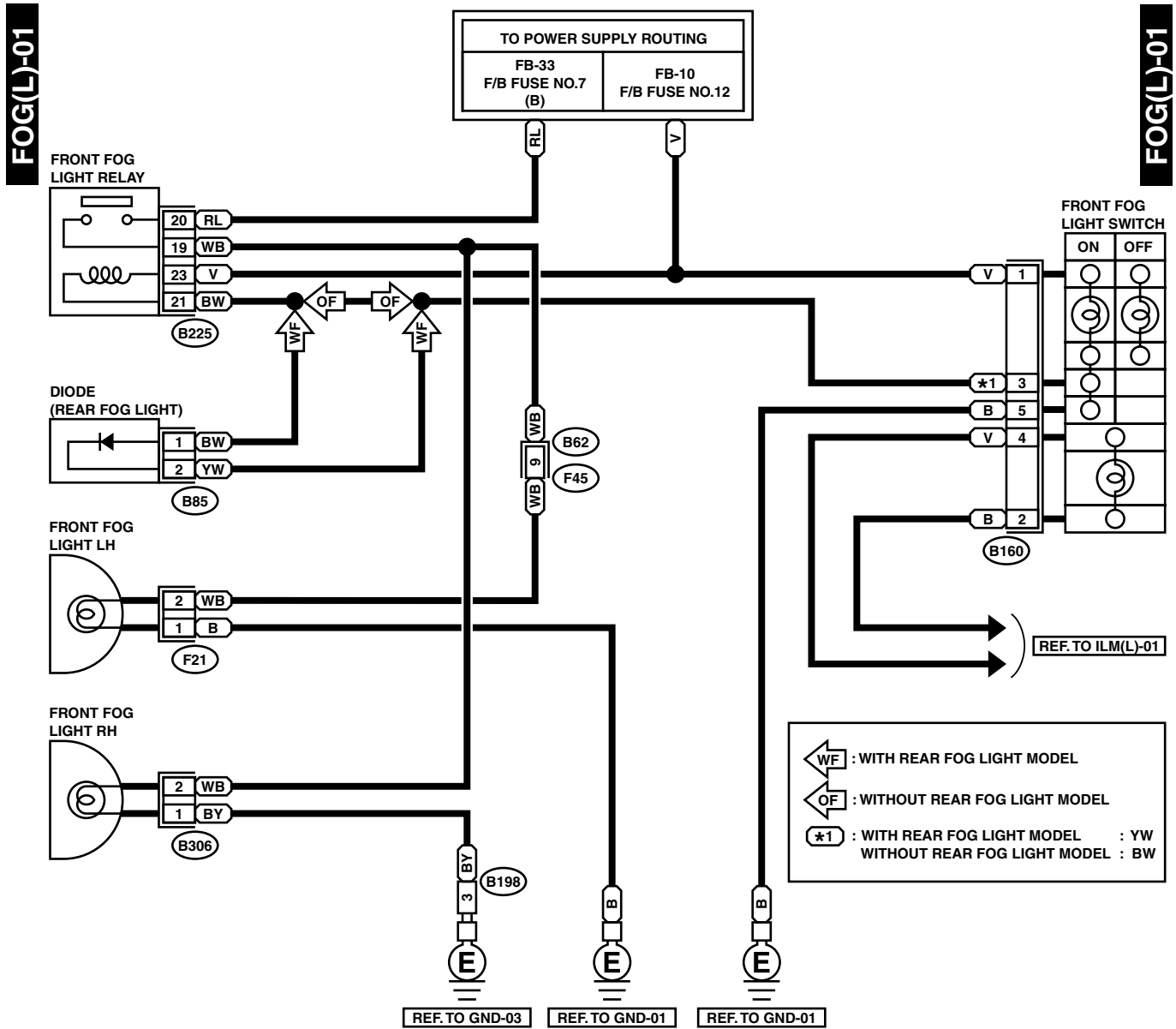
# Front Fog Light System

WIRING SYSTEM

## 24. Front Fog Light System

### A: WIRING DIAGRAM

#### 1. LHD MODEL



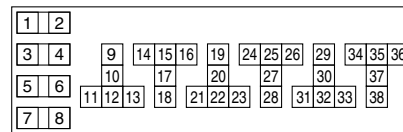
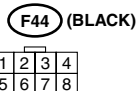
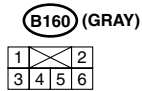
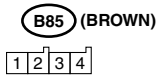
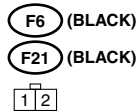
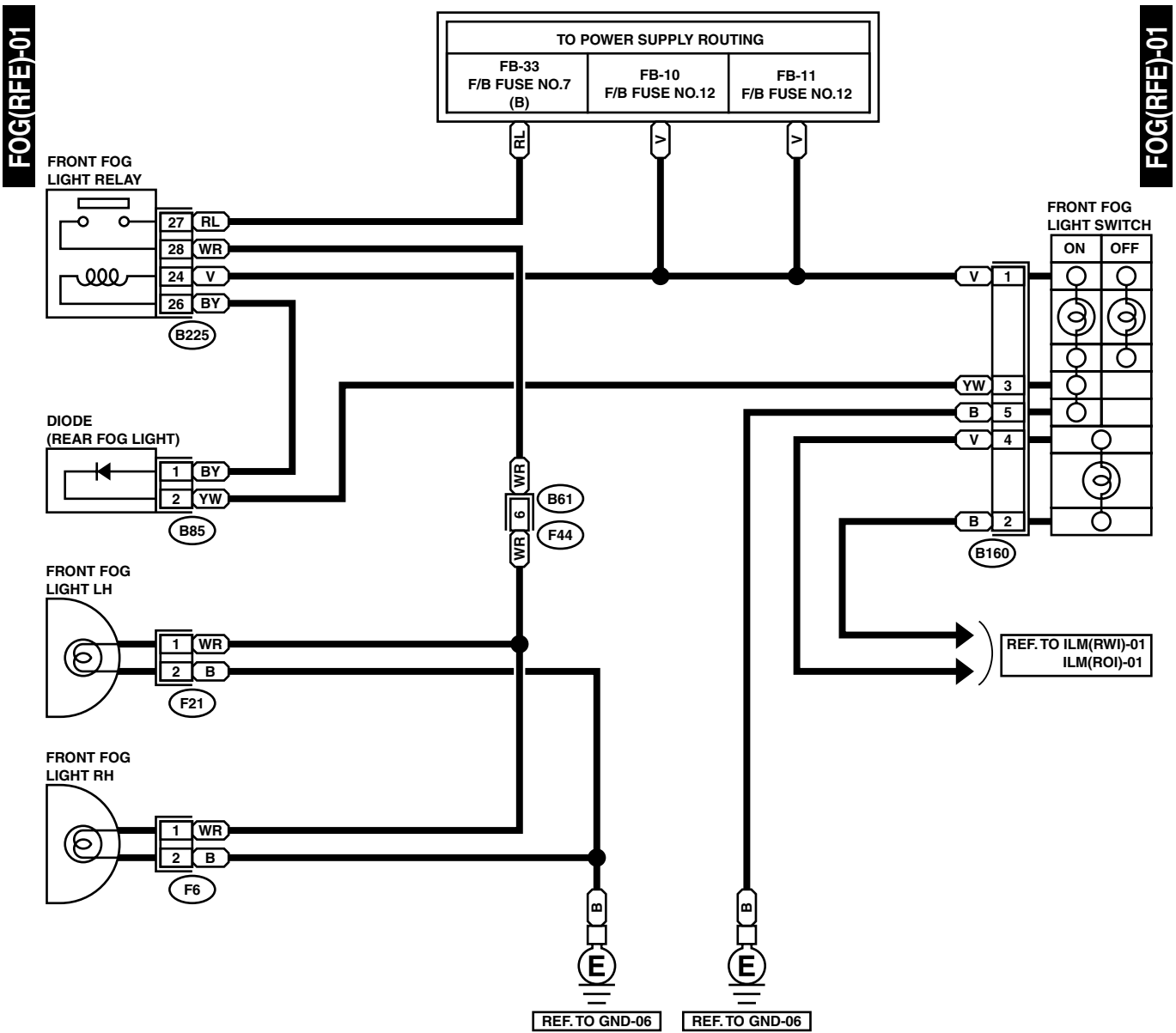
WI-04567



# Front Fog Light System

WIRING SYSTEM

## 2. RHD FOR EUROPE MODEL



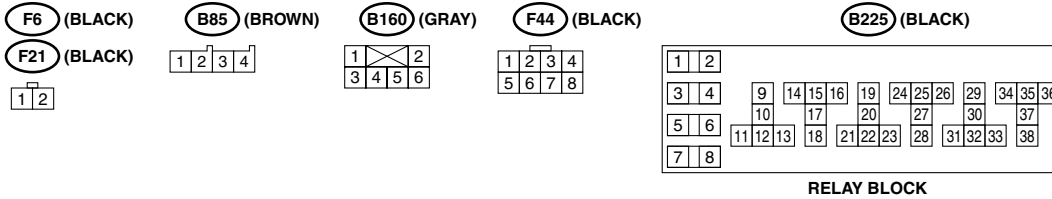
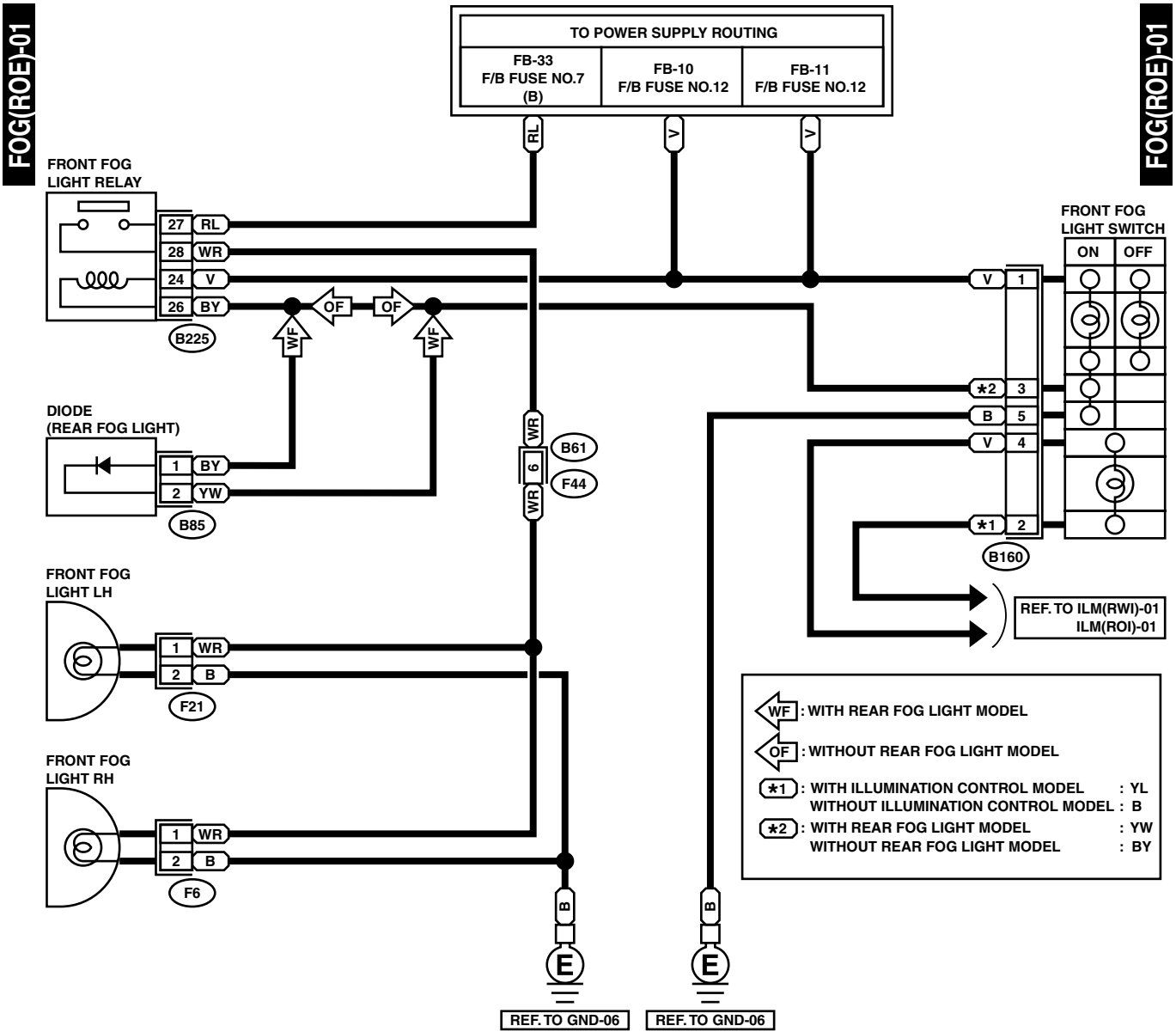
RELAY BLOCK

WI-04568

# Front Fog Light System

WIRING SYSTEM

## 3. RHD EXCEPT FOR EUROPE MODEL



WI-04569