

ELECTRICAL COMPONENTS LOCATION

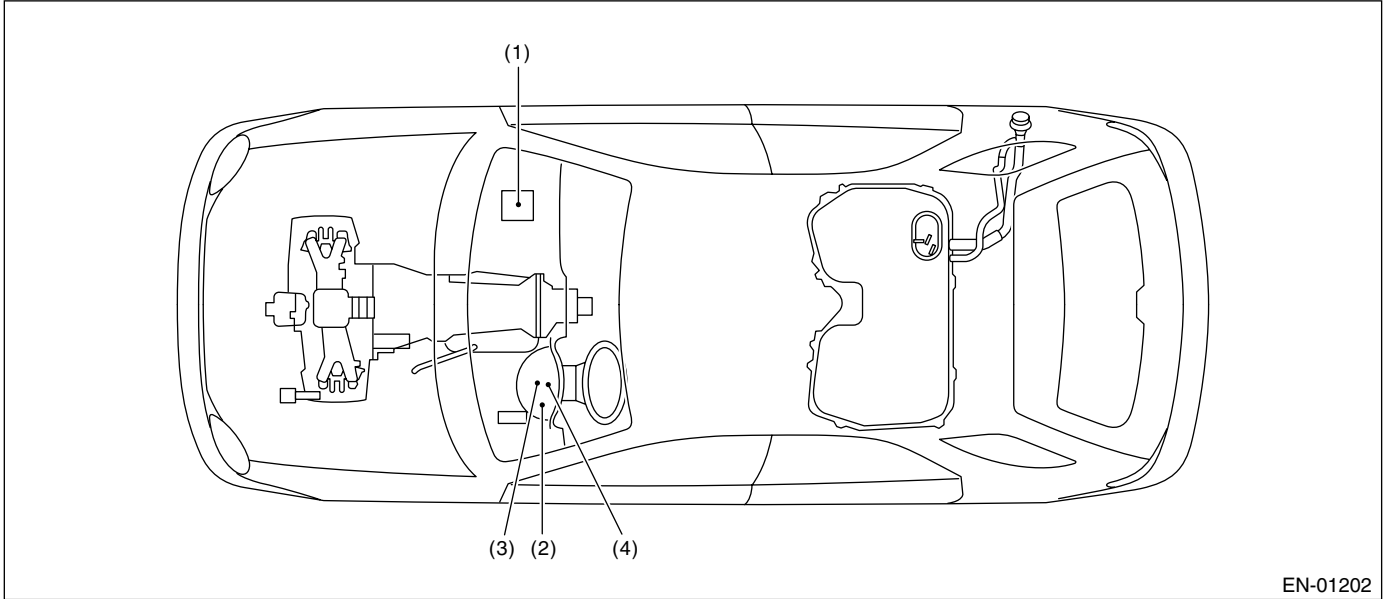
ENGINE (DIAGNOSTICS)

4. Electrical Components Location

A: LOCATION

1. ENGINE

- Module

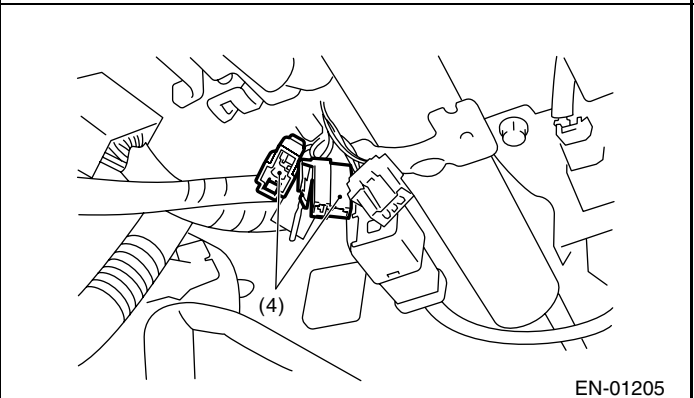
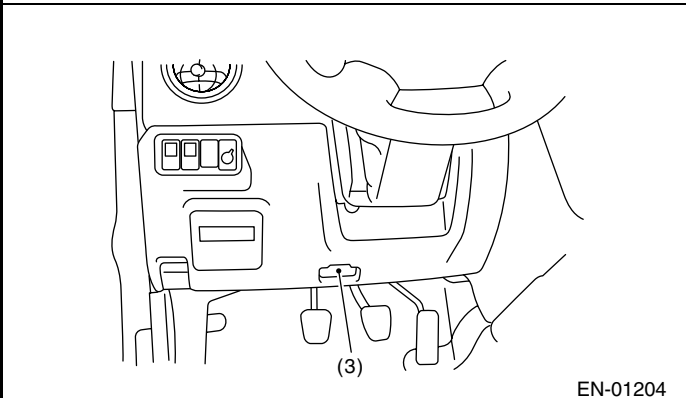
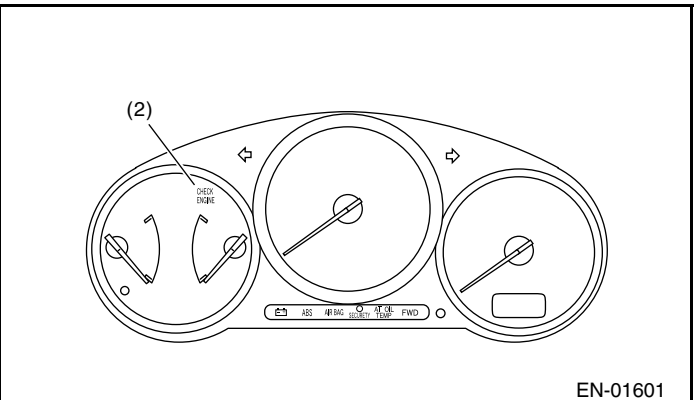
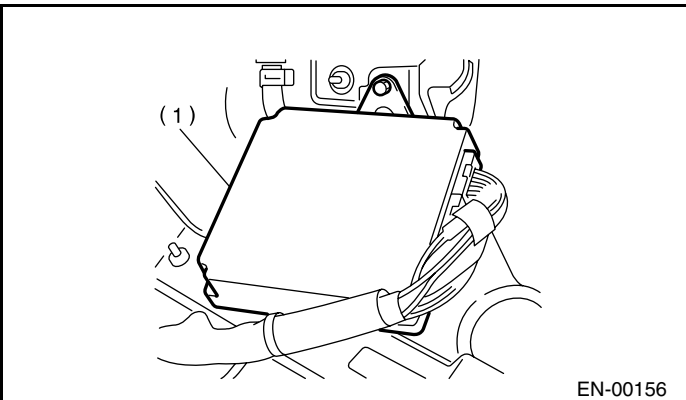


(1) Engine control module (ECM)

(3) Data link connector

(4) Test mode connector

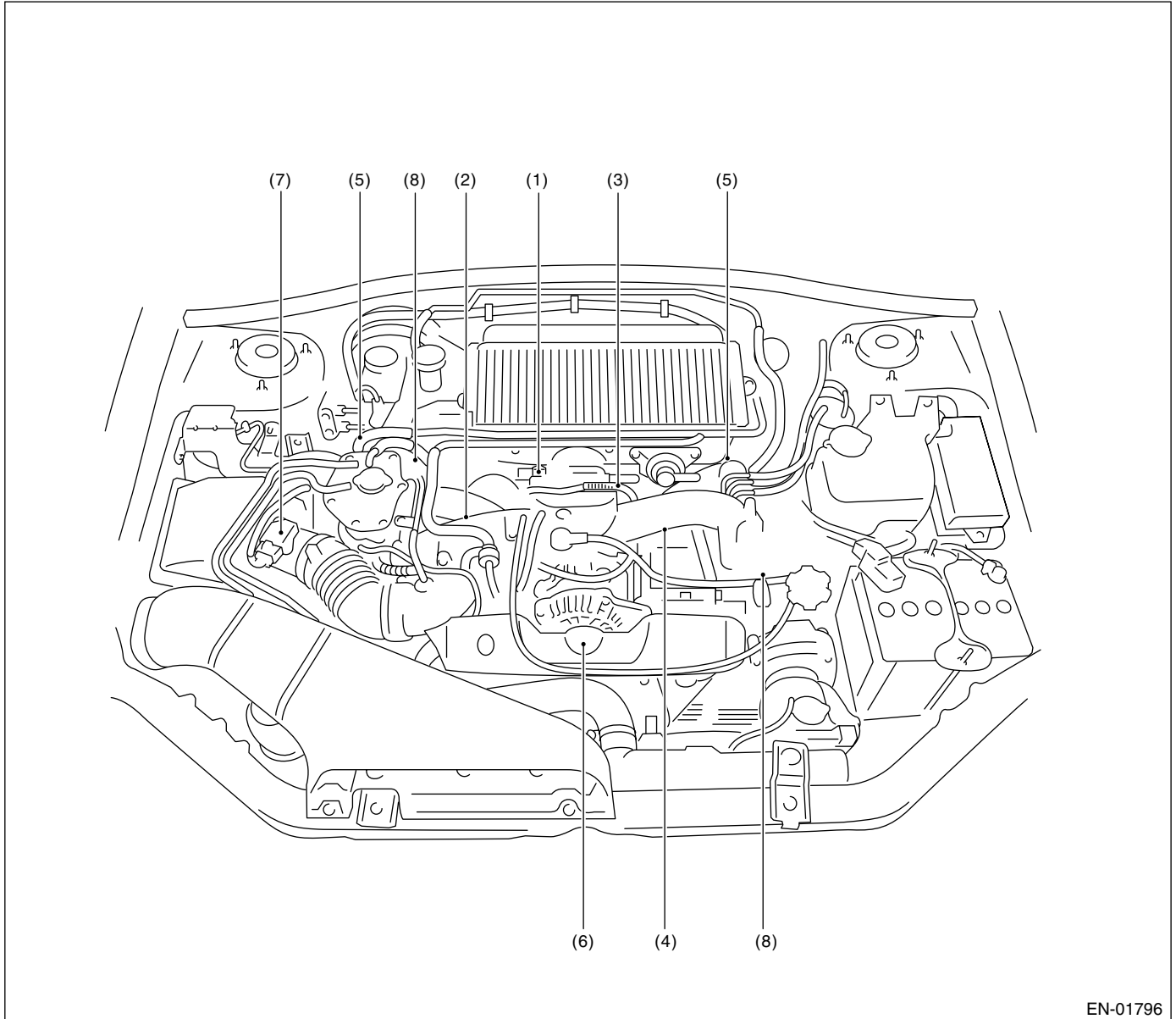
(2) Malfunction indicator light



ELECTRICAL COMPONENTS LOCATION

ENGINE (DIAGNOSTICS)

• Sensor

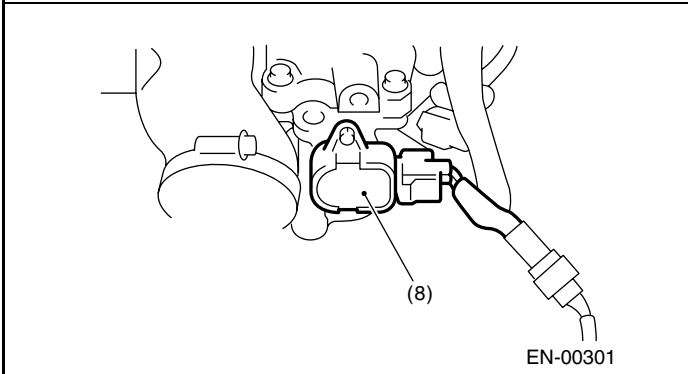
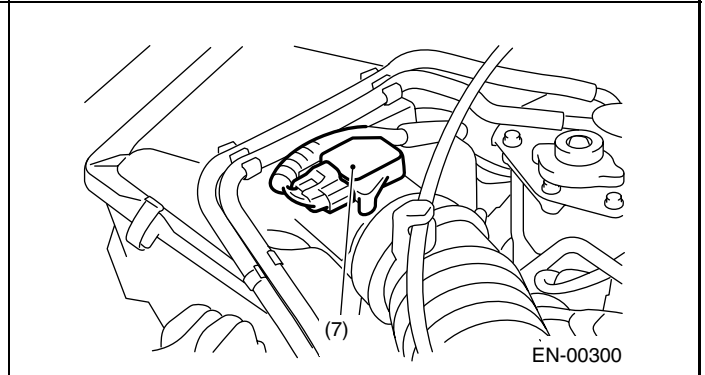
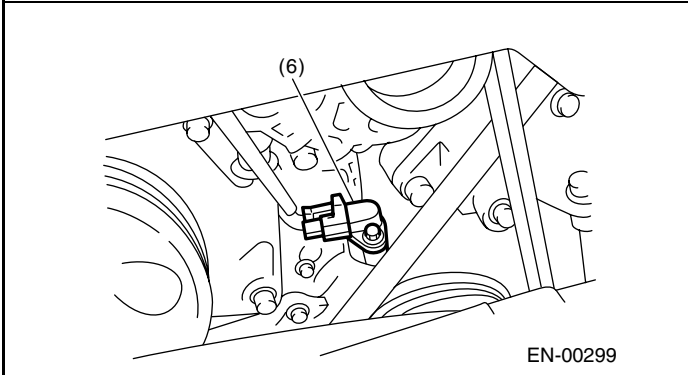
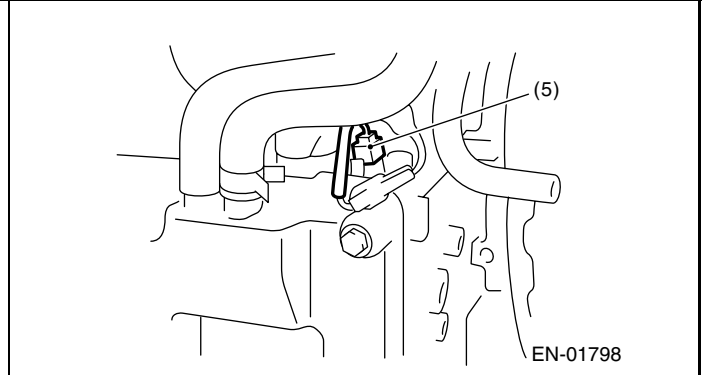
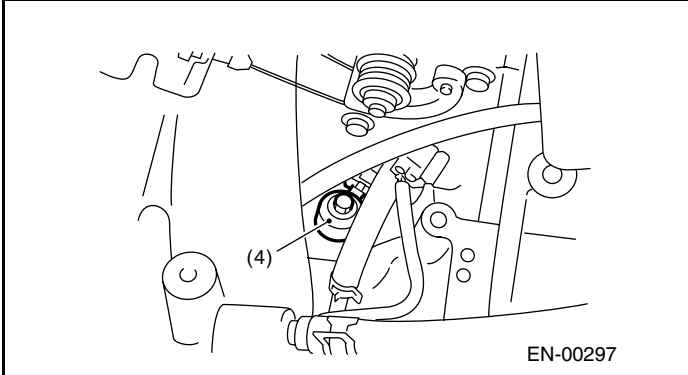
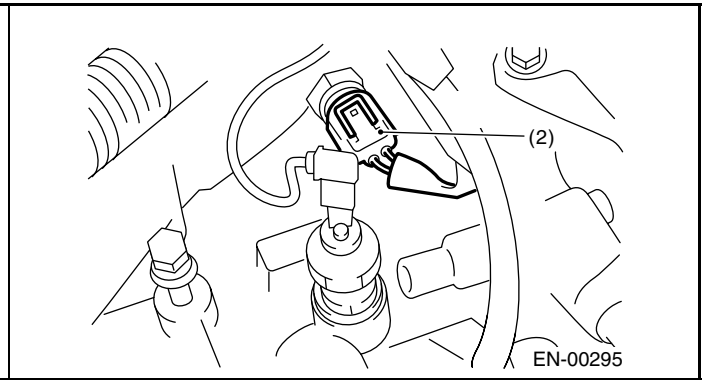
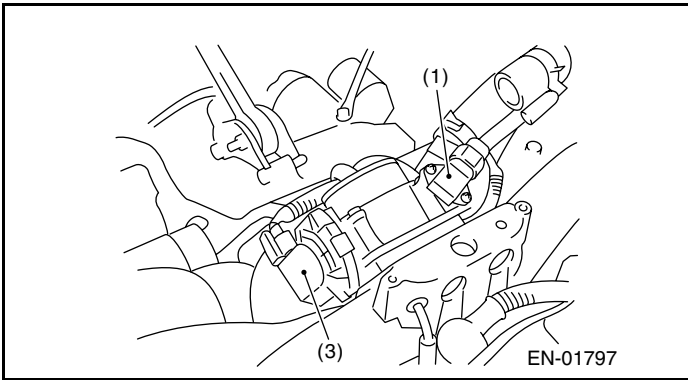


EN-01796

- | | | |
|---------------------------------------|---|--|
| (1) Manifold absolute pressure sensor | (5) Camshaft position sensor | (8) Tumble generator valve position sensor |
| (2) Engine coolant temperature sensor | (6) Crankshaft position sensor | |
| (3) Electric throttle | (7) Mass air flow and intake air temperature sensor | |
| (4) Knock sensor | | |

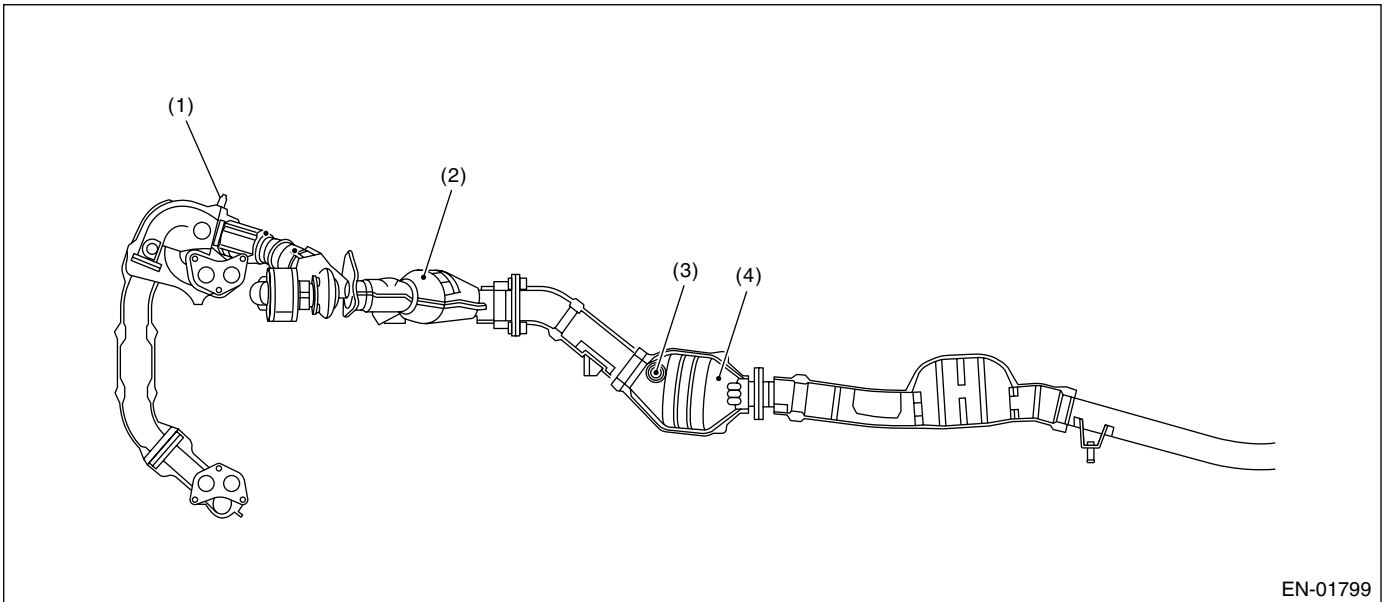
ELECTRICAL COMPONENTS LOCATION

ENGINE (DIAGNOSTICS)



ELECTRICAL COMPONENTS LOCATION

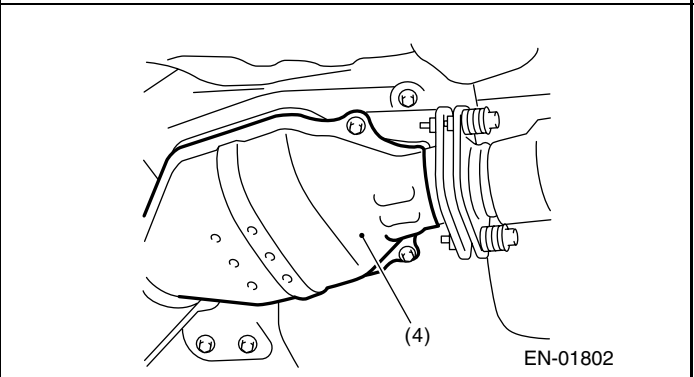
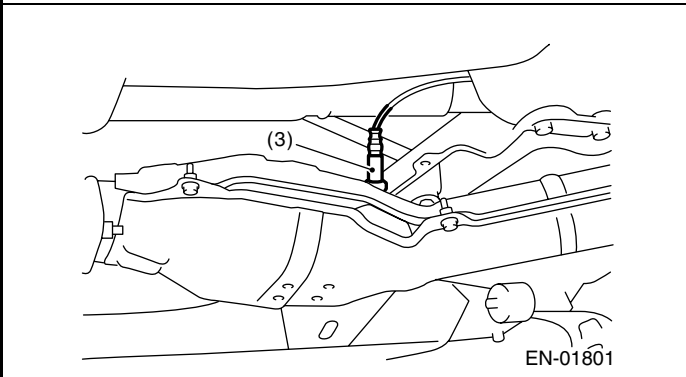
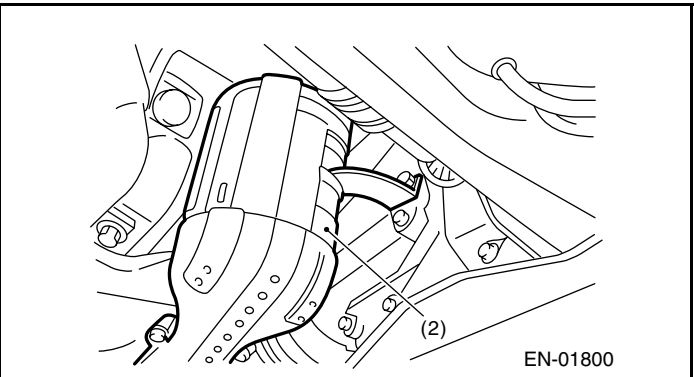
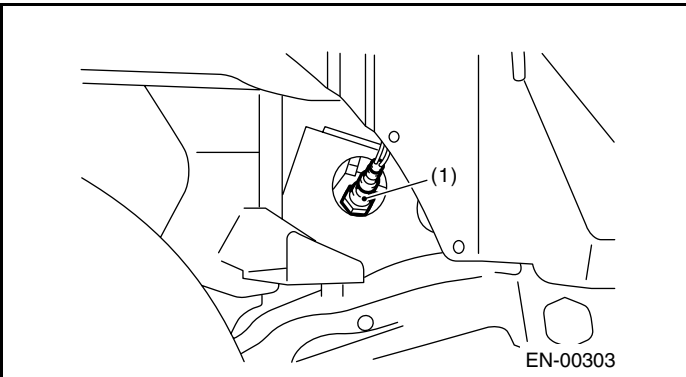
ENGINE (DIAGNOSTICS)



- (1) Front oxygen (A/F) sensor
- (2) Front catalytic converter

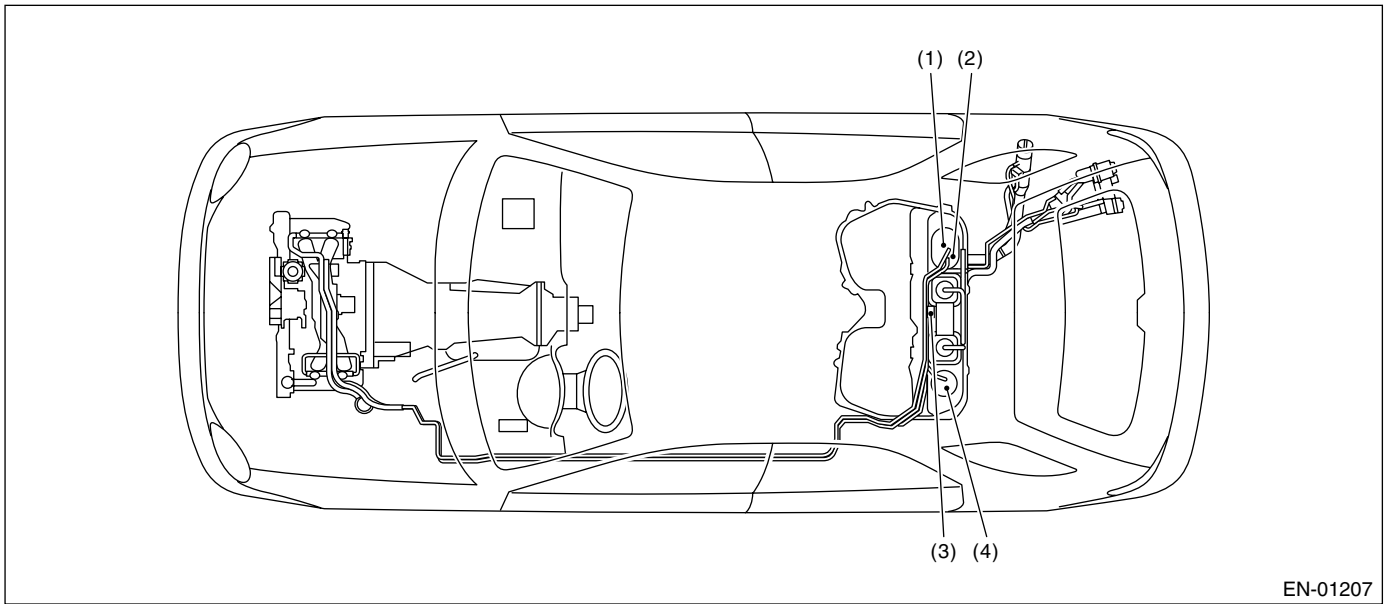
- (3) Rear oxygen sensor

- (4) Rear catalytic converter



ELECTRICAL COMPONENTS LOCATION

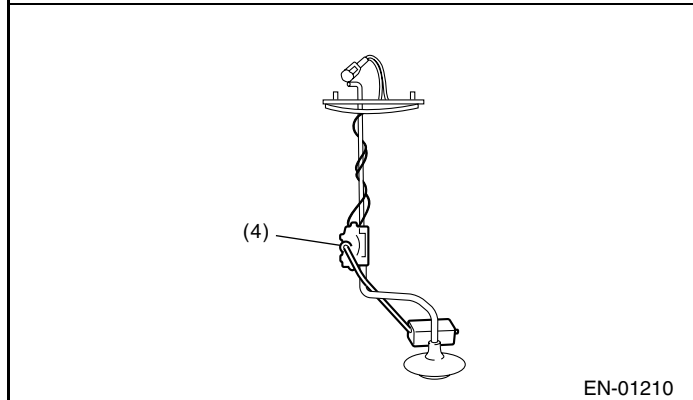
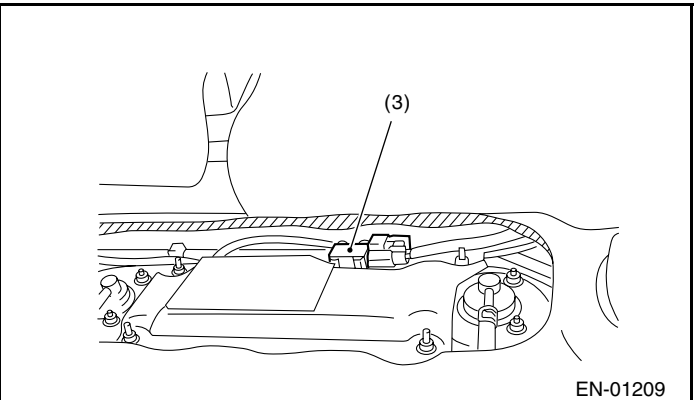
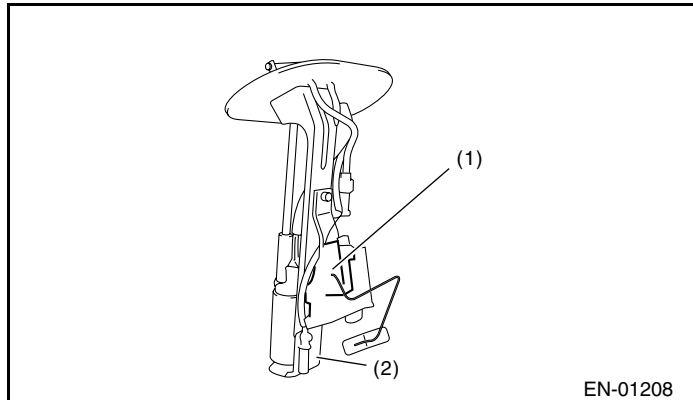
ENGINE (DIAGNOSTICS)



- (1) Fuel level sensor
- (2) Fuel temperature sensor

- (3) Fuel tank pressure sensor

- (4) Fuel sub level sensor

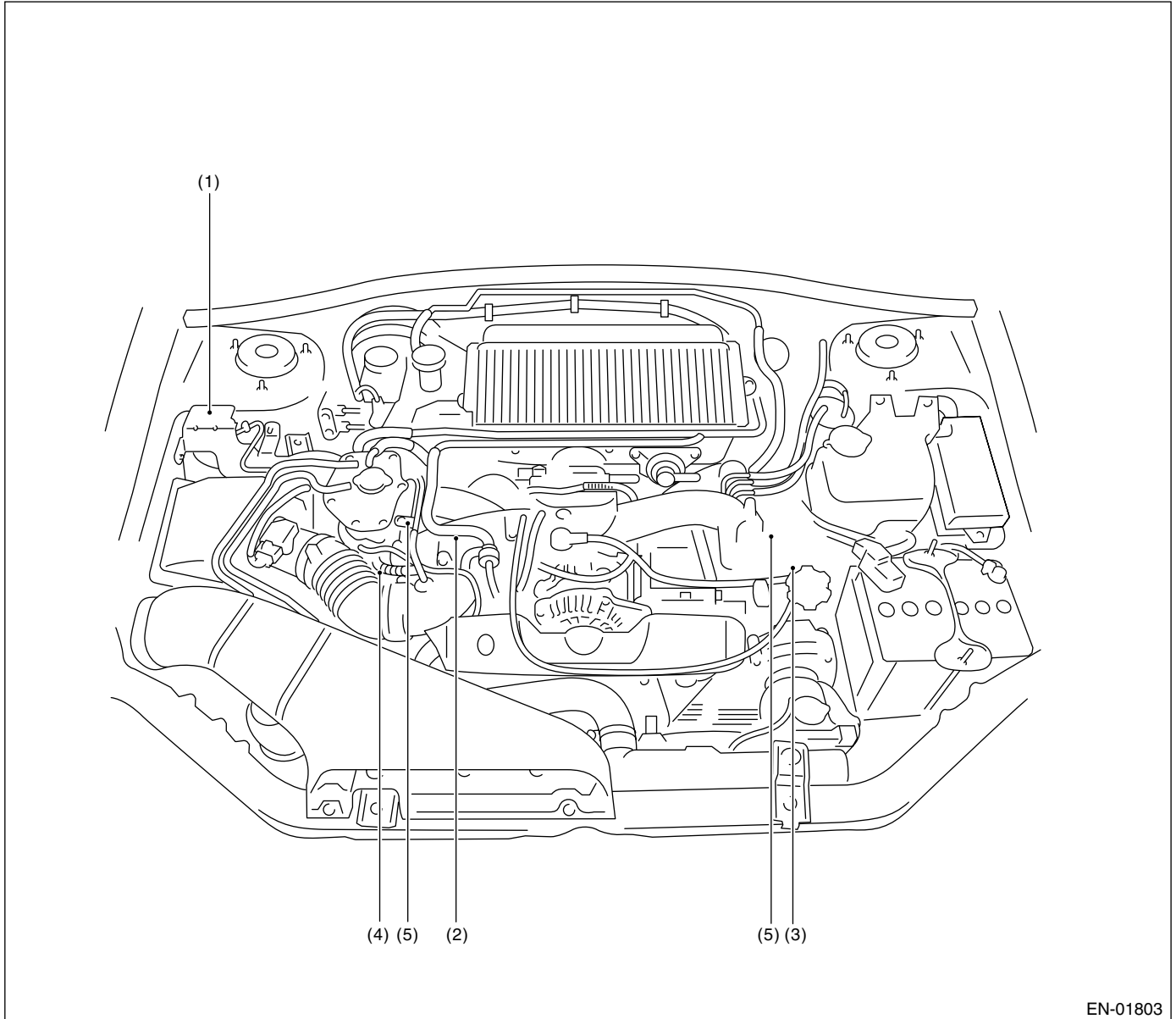


SUBARU.

ELECTRICAL COMPONENTS LOCATION

ENGINE (DIAGNOSTICS)

• Solenoid Valve, Actuator, Emission Control System Parts and Ignition System Parts



EN-01803

(1) Wastegate control solenoid valve

(2) Purge control solenoid valve

(3) Ignition coil

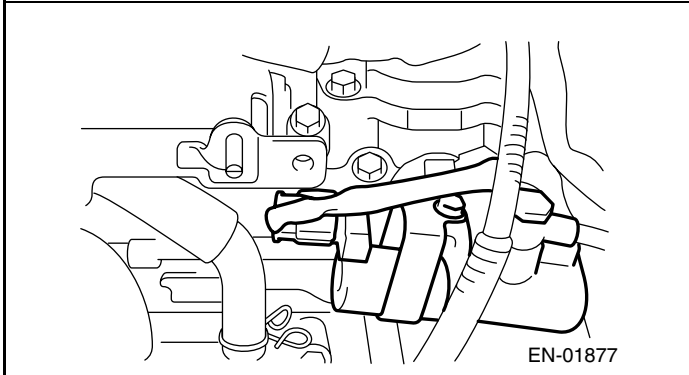
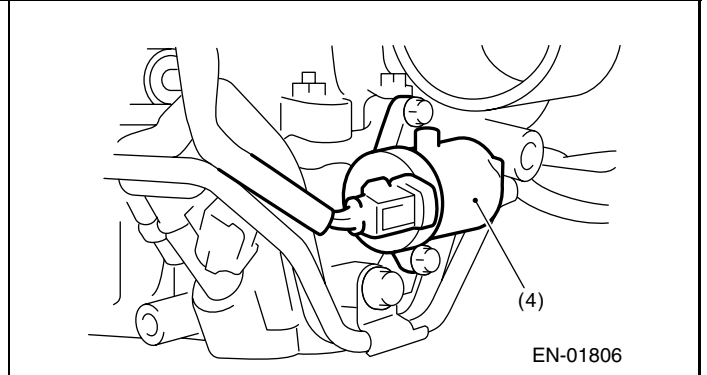
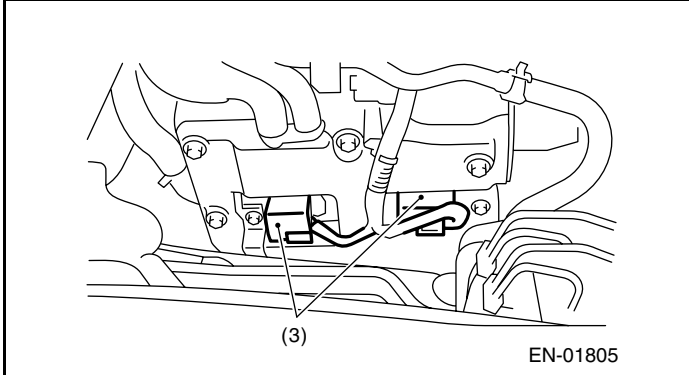
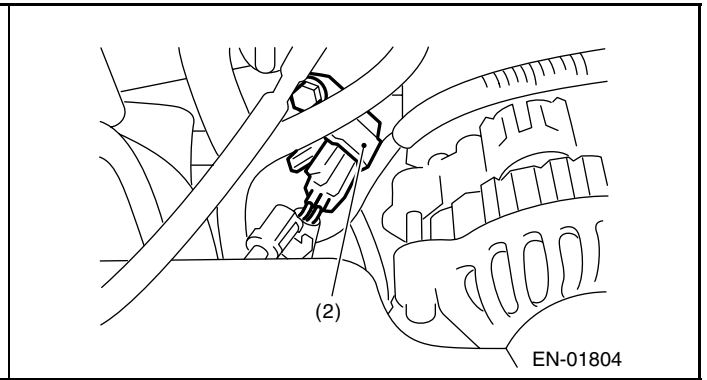
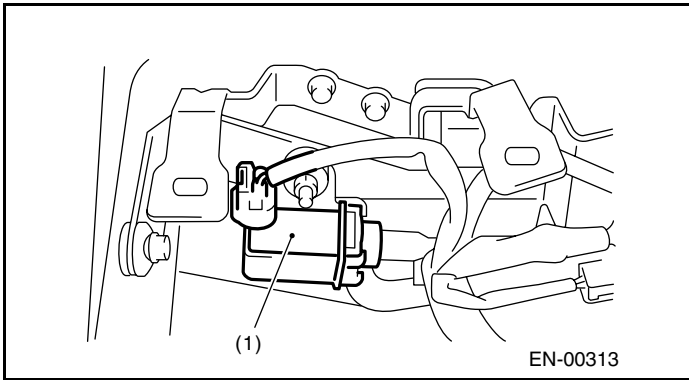
(4) Tumble generator valve actuator

(5) Variable valve timing solenoid valve

valve

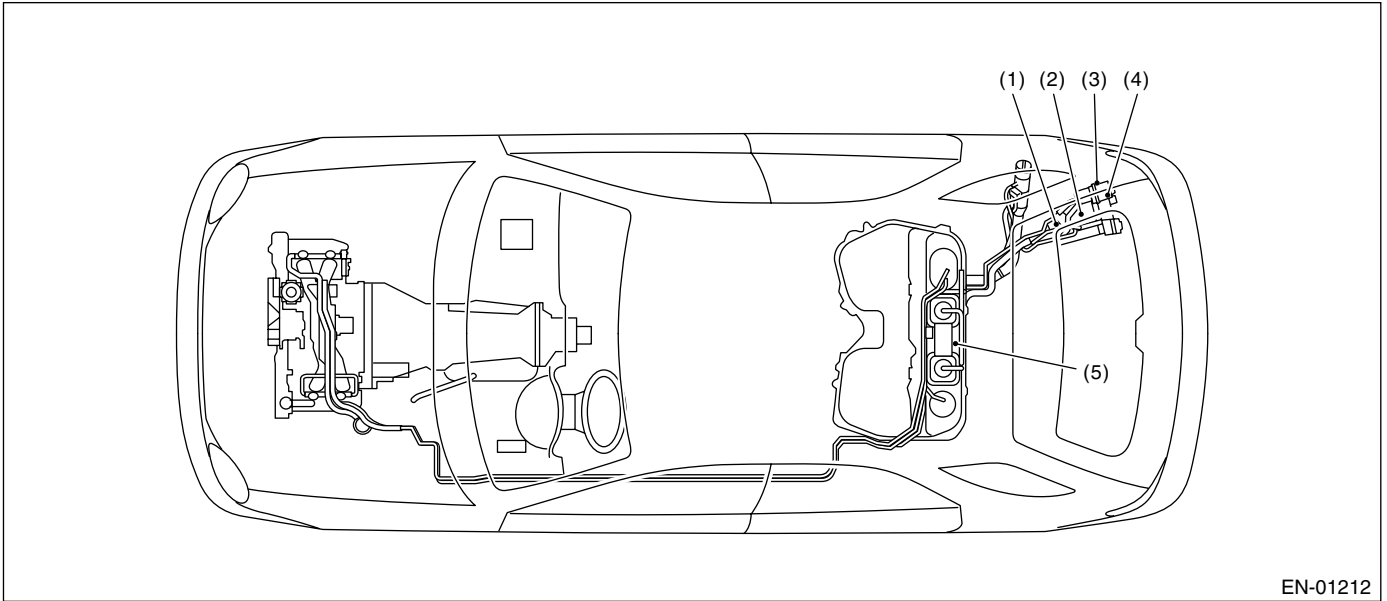
ELECTRICAL COMPONENTS LOCATION

ENGINE (DIAGNOSTICS)



ELECTRICAL COMPONENTS LOCATION

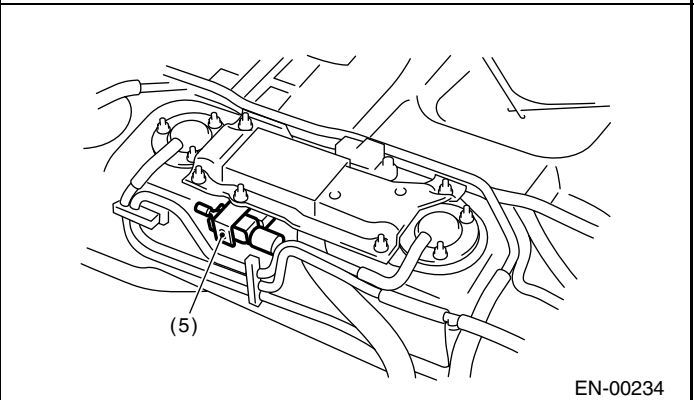
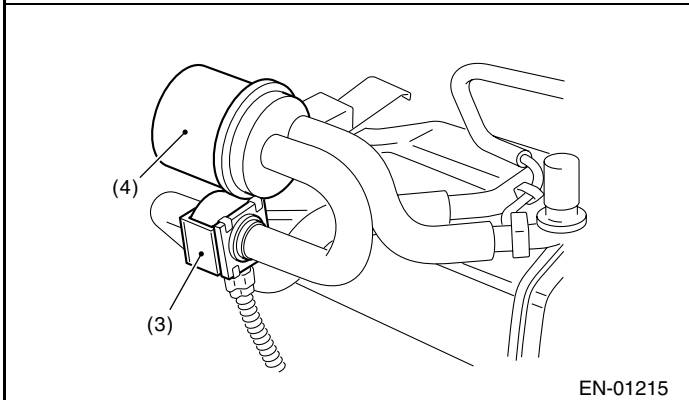
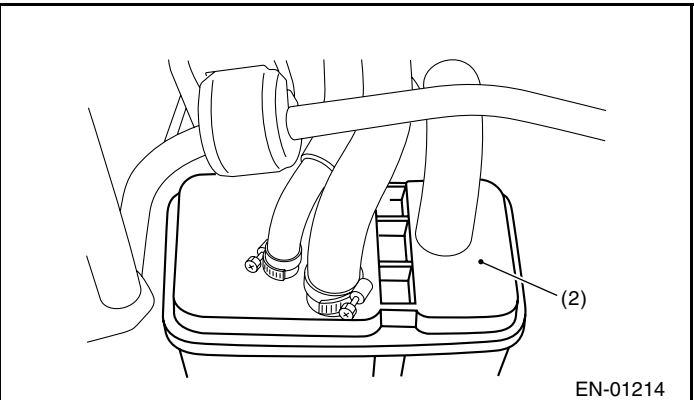
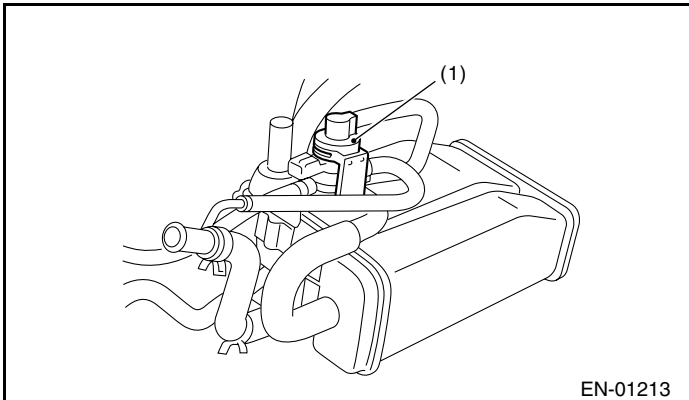
ENGINE (DIAGNOSTICS)



(1) Pressure control solenoid valve
(2) Canister

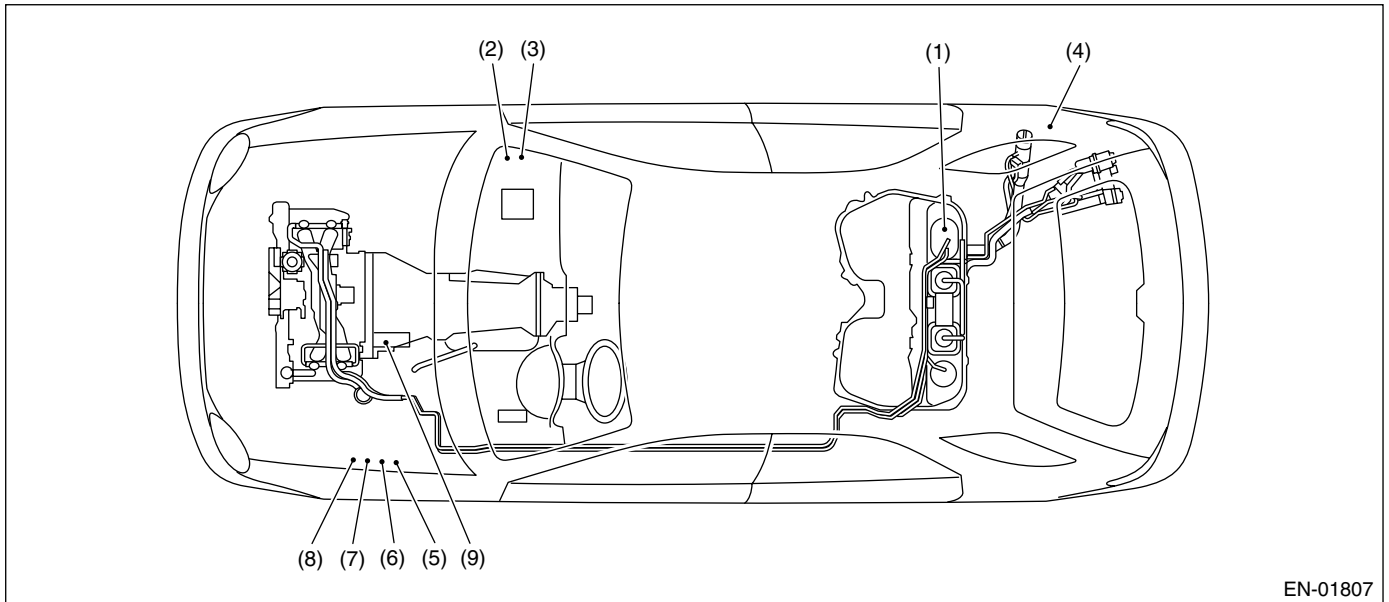
(3) Drain valve
(4) Drain filter

(5) Fuel tank sensor control valve



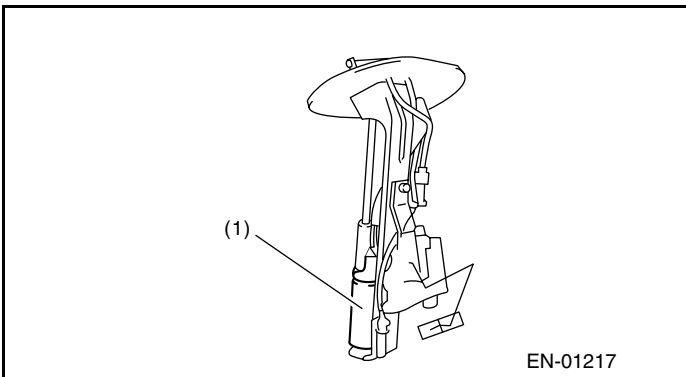
ELECTRICAL COMPONENTS LOCATION

ENGINE (DIAGNOSTICS)

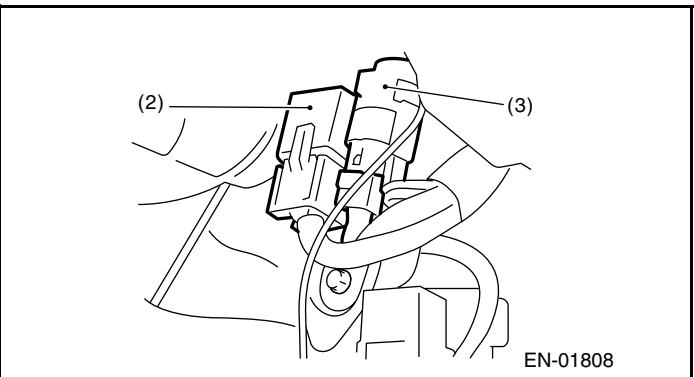


EN-01807

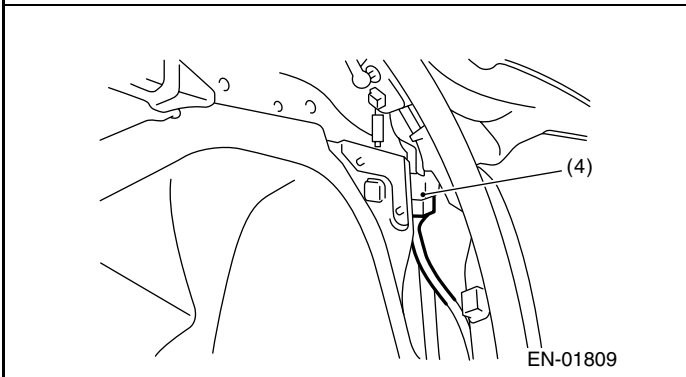
- | | | |
|---------------------|-------------------------------|------------------------------|
| (1) Fuel pump | (4) Fuel pump control unit | (7) Radiator sub fan relay 1 |
| (2) Main relay | (5) Radiator main fan relay 1 | (8) Radiator sub fan relay 2 |
| (3) Fuel pump relay | (6) Radiator main fan relay 2 | (9) Starter |



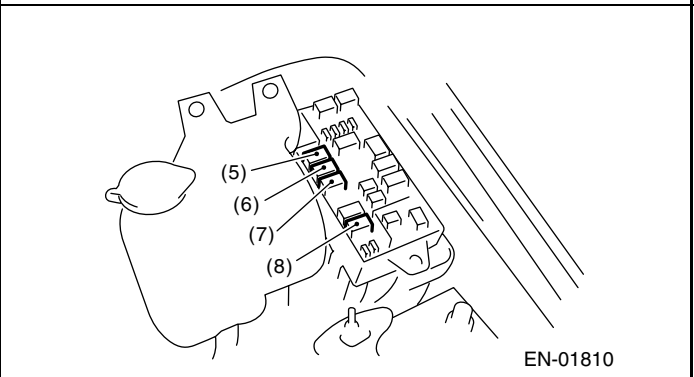
EN-01217



EN-01808



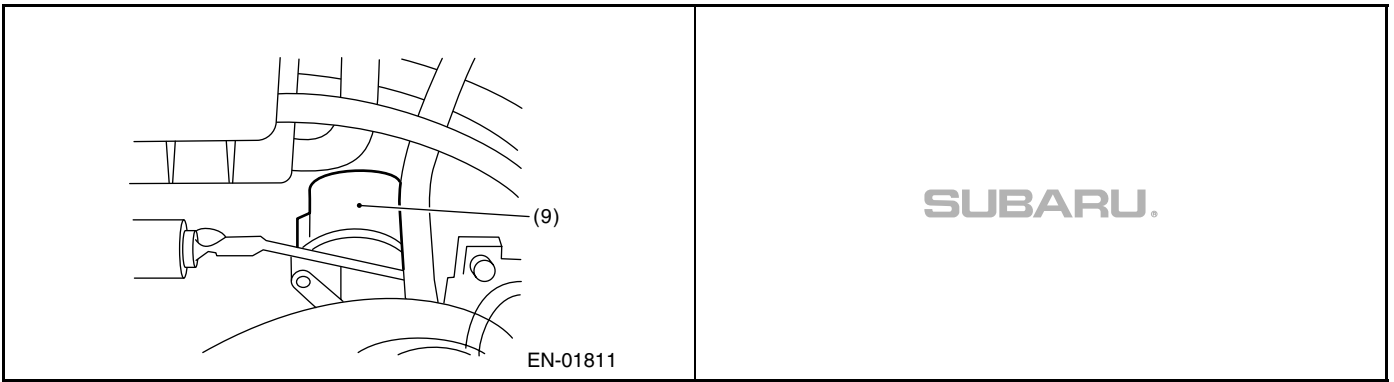
EN-01809



EN-01810

ELECTRICAL COMPONENTS LOCATION

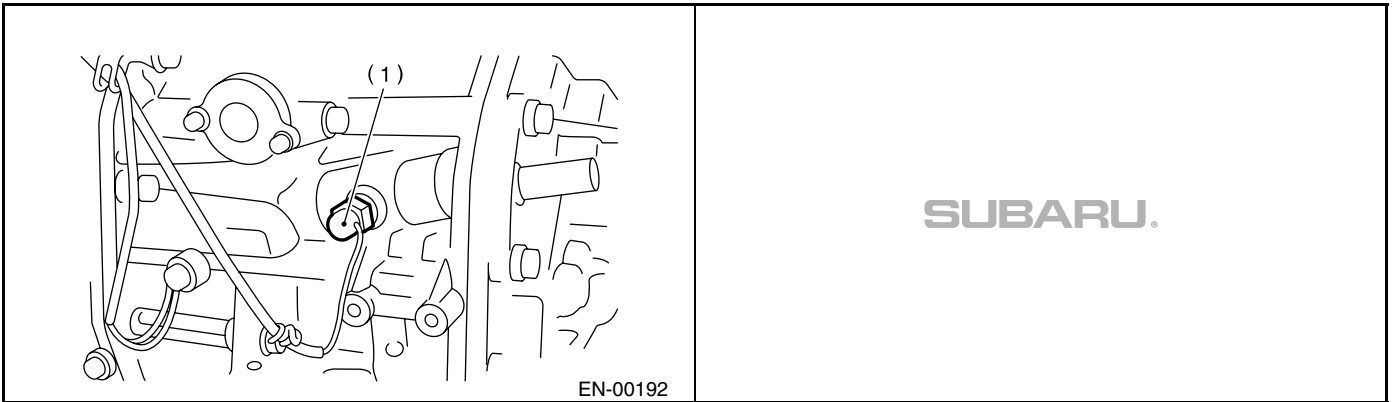
ENGINE (DIAGNOSTICS)



SUBARU.

2. TRANSMISSION

• Solenoid Valve and Switch



SUBARU.

(1) Neutral position switch