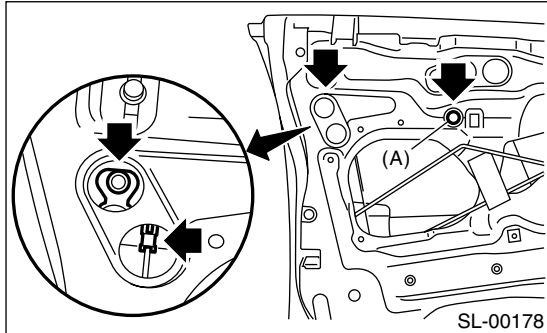


6. Front Outer Handle

A: REMOVAL

- 1) Remove the door trim. <Ref. to EI-38, REMOVAL, Front Door Trim.>
- 2) Remove the sealing cover. <Ref. to EB-17, REMOVAL, Front Sealing Cover.>
- 3) Remove the bolt (A).
- 4) Move the front door glass downward. Remove the bolt and rod clamp.
- 5) Remove the front outer handle.



CAUTION:

Do not use excessive force to remove the handle from door panel. This will deform it.

B: INSTALLATION

Install in the reverse order of removal.

NOTE:

Make sure the outer handle works properly after installation.

C: INSPECTION

- 1) Make sure the rod is not deformed.
- 2) Make sure the lever and rod work smoothly.