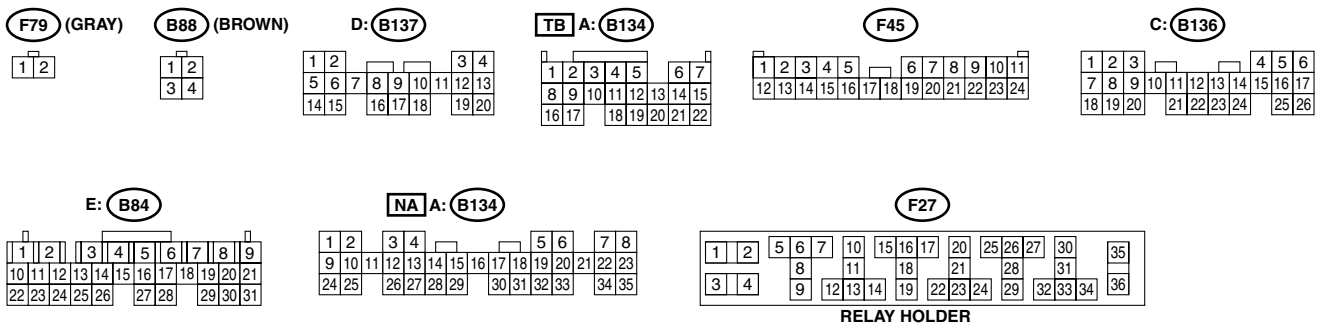
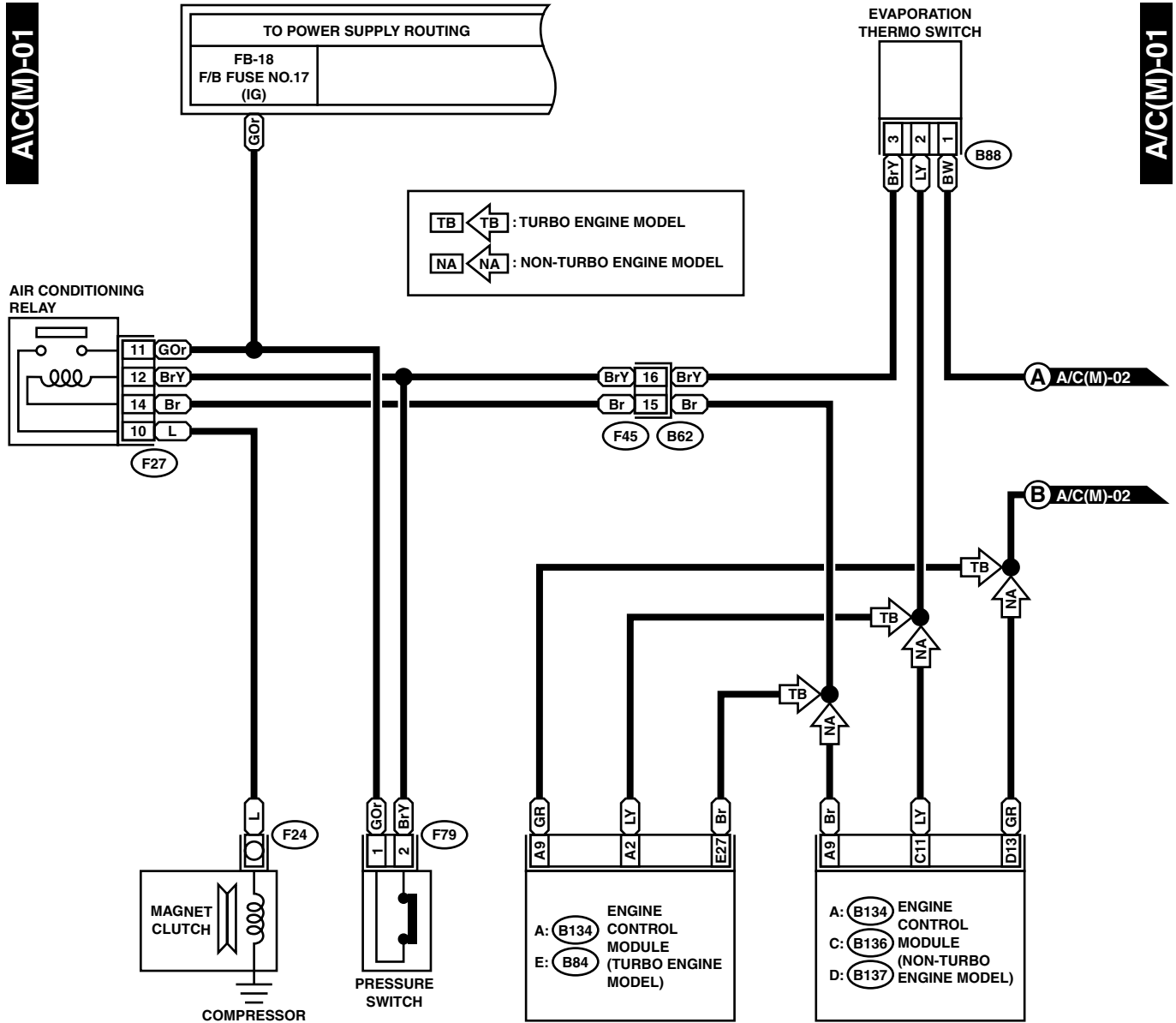


6. Air Conditioning System

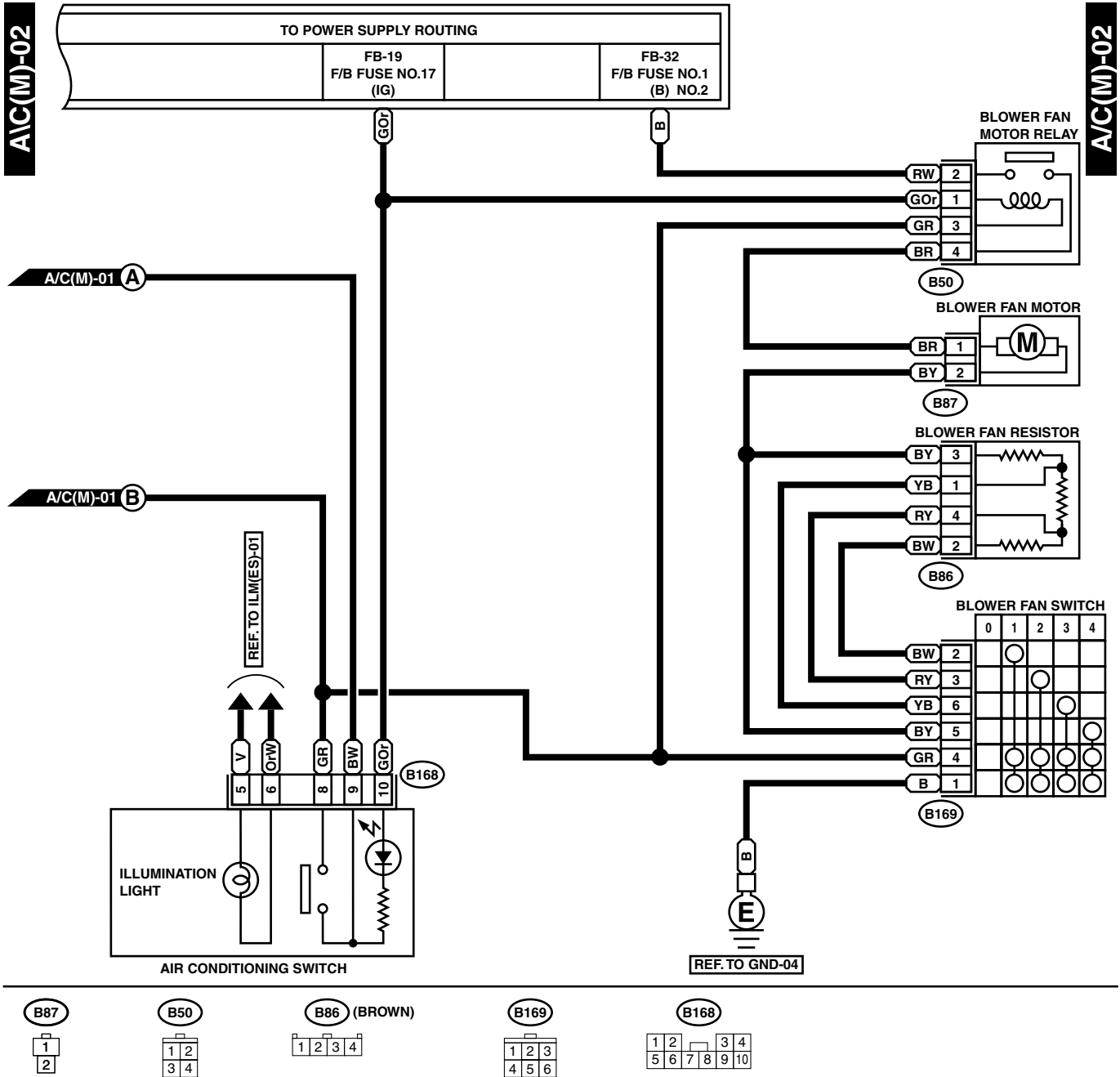
A: SCHEMATIC

1. MANUAL A/C MODEL



AIR CONDITIONING SYSTEM

WIRING SYSTEM

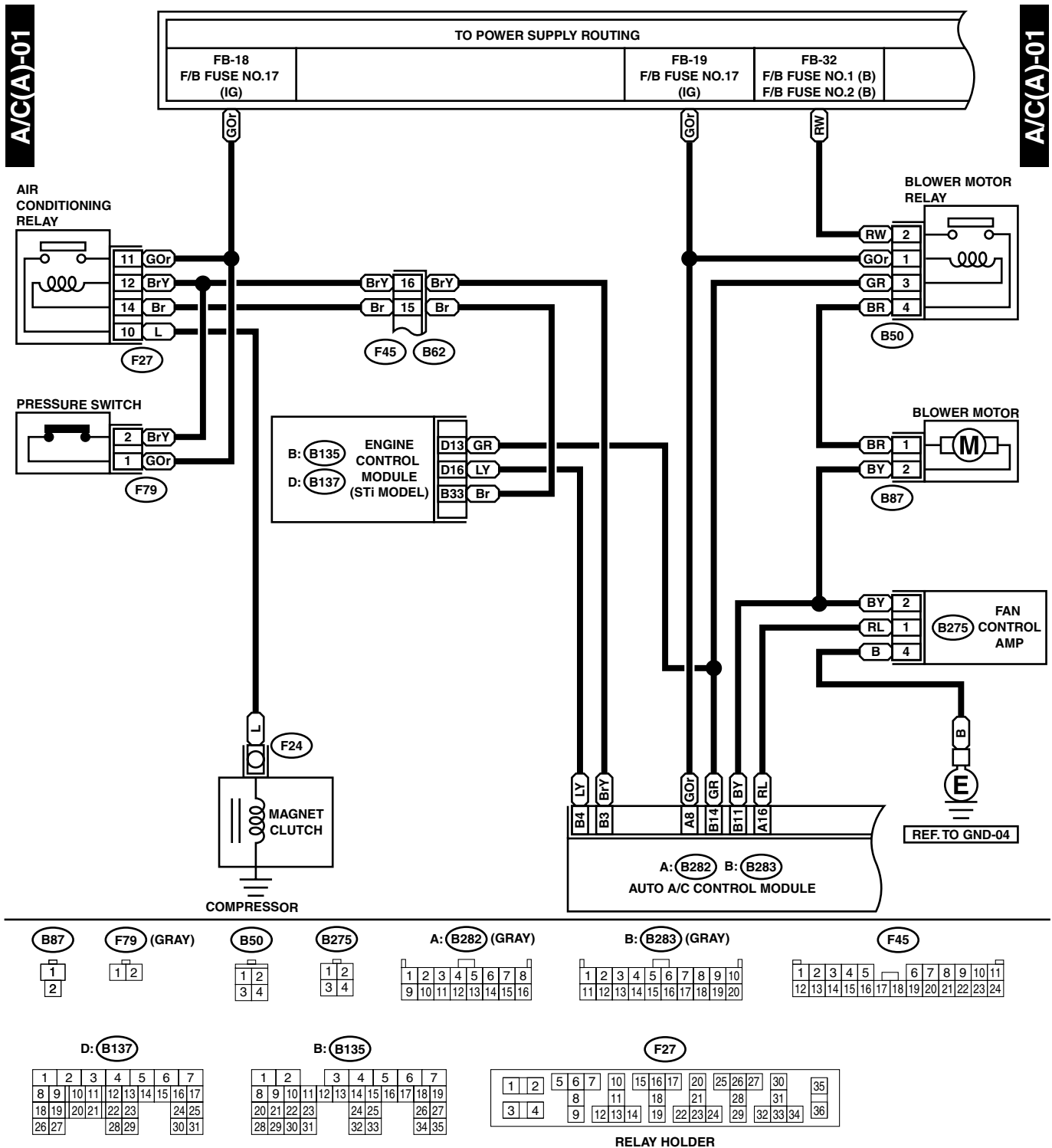


WI-02778

AIR CONDITIONING SYSTEM

WIRING SYSTEM

2. AUTO A/C MODEL



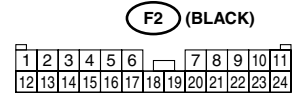
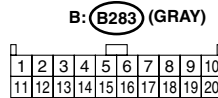
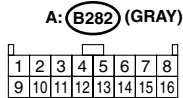
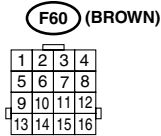
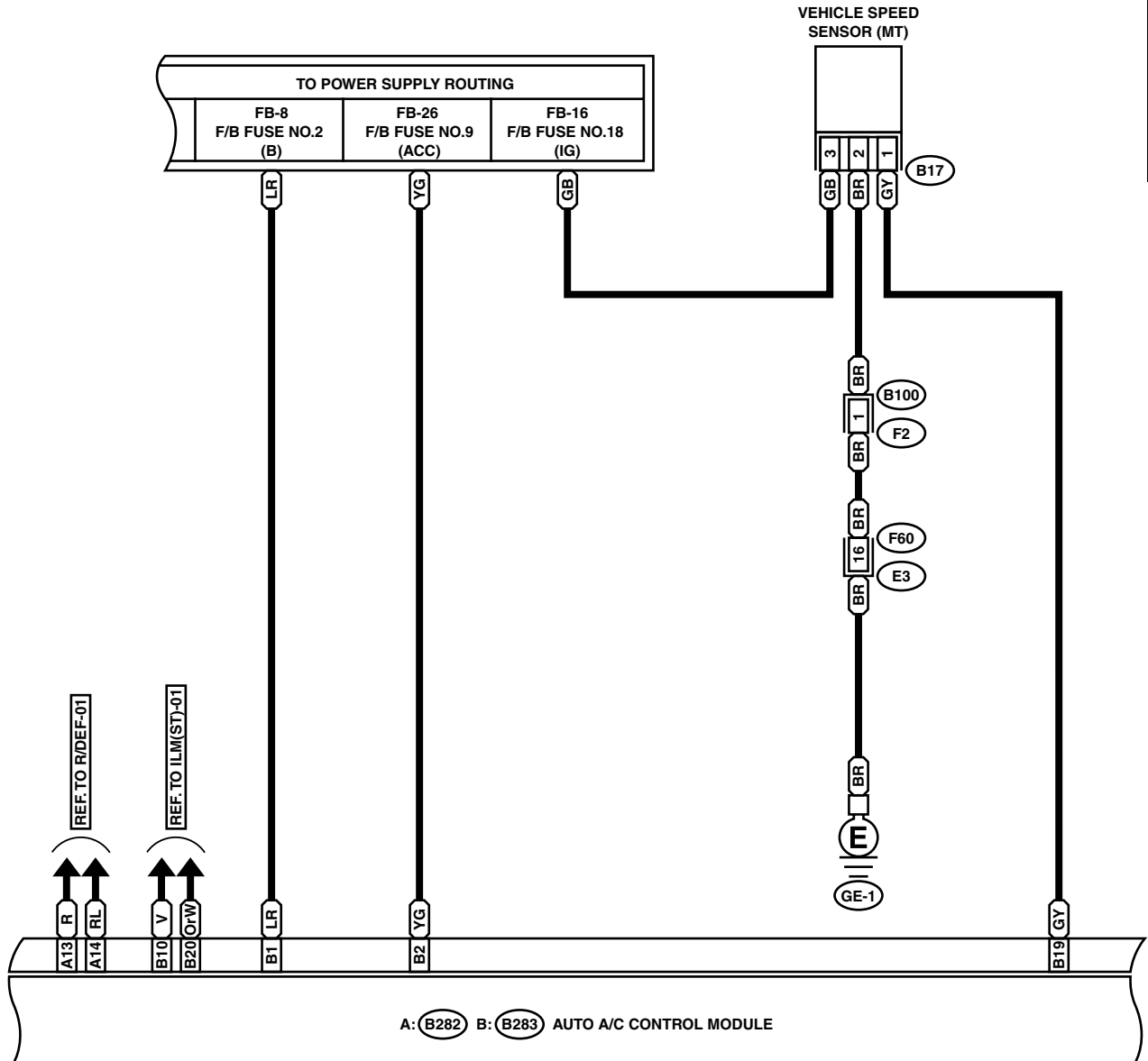
WI-02786

AIR CONDITIONING SYSTEM

WIRING SYSTEM

A/C(A)-02

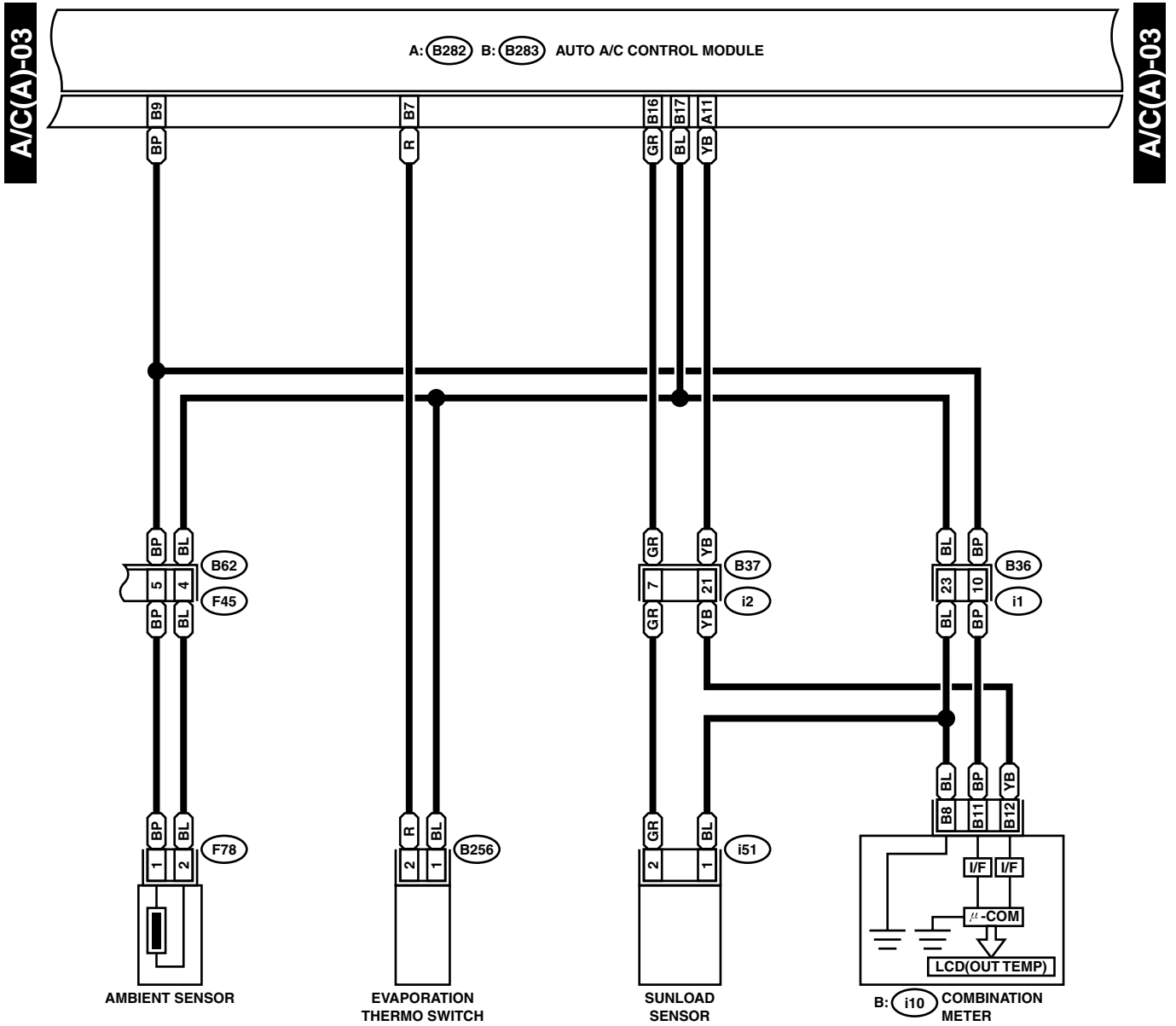
A/C(A)-02



WI-02789

AIR CONDITIONING SYSTEM

WIRING SYSTEM



B256

F78 (BLACK)

i51

1 2

A: B282 (GRAY)

1	2	3	4	5	6	7	8
9	10	11	12	13	14	15	16

B: B283 (GRAY)

1	2	3	4	5	6	7	8	9	10
11	12	13	14	15	16	17	18	19	20

F45

i2

1	2	3	4	5	6	7	8	9	10	11		
12	13	14	15	16	17	18	19	20	21	22	23	24

i1 (BROWN)

1	2	3	4	5	6	7	8	9	10	11		
12	13	14	15	16	17	18	19	20	21	22	23	24

B: i10 (GREEN)

1	2	3	4	5	6	7	8	9	10	11	12	13	14		
15	16	17	18	19	20	21	22	23	24	25	26	27	28	29	30

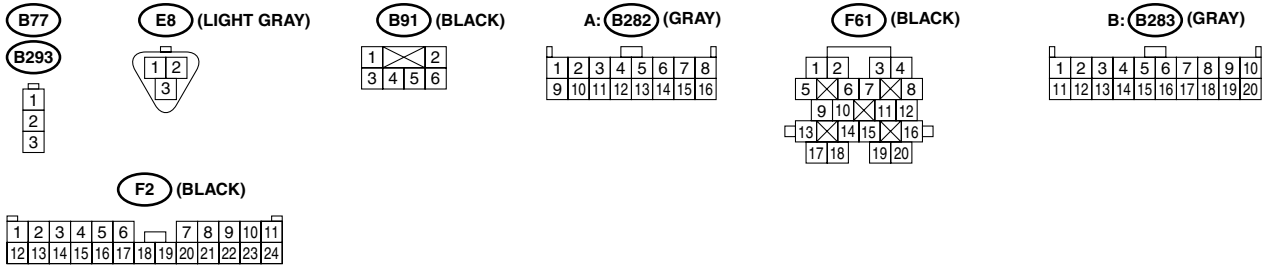
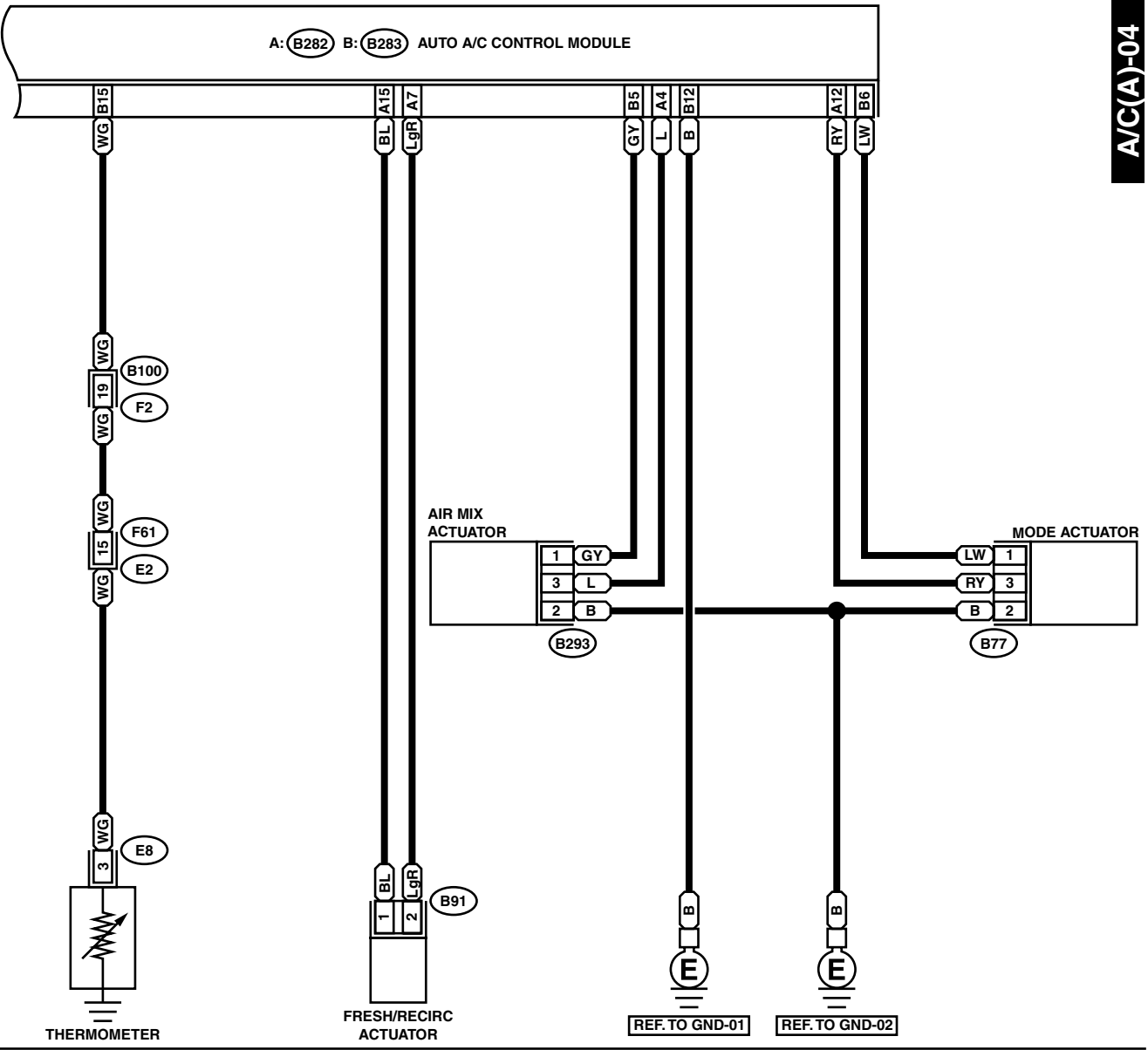
WI-02790

AIR CONDITIONING SYSTEM

WIRING SYSTEM

A/C(A)-04

A/C(A)-04



WI-02791